



US00D879285S

(12) **United States Design Patent**
Urano

(10) **Patent No.:** **US D879,285 S**

(45) **Date of Patent:** **** Mar. 24, 2020**

(54) **AIR-CONDITIONING OUTLET**

(71) Applicant: **KIMURA KOHKI CO., LTD.**,
Osaka-shi, Osaka (JP)

(72) Inventor: **Katsuhiko Urano**, Sakai (JP)

(73) Assignee: **KIMURA KOHKI CO., LTD.**,
Osaka-Shi, Osaka (JP)

(**) Term: **15 Years**

(21) Appl. No.: **29/662,271**

(22) Filed: **Sep. 4, 2018**

(30) **Foreign Application Priority Data**

Mar. 5, 2018 (JP) 2018-004468

(51) **LOC (12) Cl.** **23-03**

(52) **U.S. Cl.**
USPC **D23/388**

(58) **Field of Classification Search**
USPC D23/386, 388, 390, 393, 398, 403
CPC .. F23M 7/04; F24F 12/00; F24F 13/00; F24F
13/0227; F24F 13/0236
See application file for complete search history.

(56) **References Cited**

U.S. PATENT DOCUMENTS

- 8,342,233 B2 * 1/2013 Kjellerstedt F24F 1/0059
165/47
- D714,927 S * 10/2014 Urano D23/388
- D714,928 S * 10/2014 Urano D23/388
- D805,177 S * 12/2017 Urano D23/388
- D805,178 S * 12/2017 Urano D23/388

- D805,179 S * 12/2017 Urano D23/388
- D805,180 S * 12/2017 Urano D23/388
- D806,854 S * 1/2018 Urano D23/388
- D807,495 S * 1/2018 Hirsch D23/393
- D814,623 S * 4/2018 Urano D23/387
- D825,049 S * 8/2018 Miskel D23/388
- 10,240,808 B2 * 3/2019 Kimura F24F 3/1603
- D850,610 S * 6/2019 Drummond D23/393

* cited by examiner

Primary Examiner — Karen S Acker

Assistant Examiner — Steven B Reinholdt, Jr.

(74) *Attorney, Agent, or Firm* — Alleman Hall Creasman
& Tuttle LLP

(57) **CLAIM**

The ornamental design for an air-conditioning outlet, as shown and described.

DESCRIPTION

FIG. 1 is a front view of an ornamental design for an air-conditioning outlet showing my new design, wherein the rear view is a mirror image of the front view and thus is omitted.

FIG. 2 is a left side view of the air-conditioning outlet of FIG. 1.

FIG. 3 is a right side view of the air-conditioning outlet of FIG. 1.

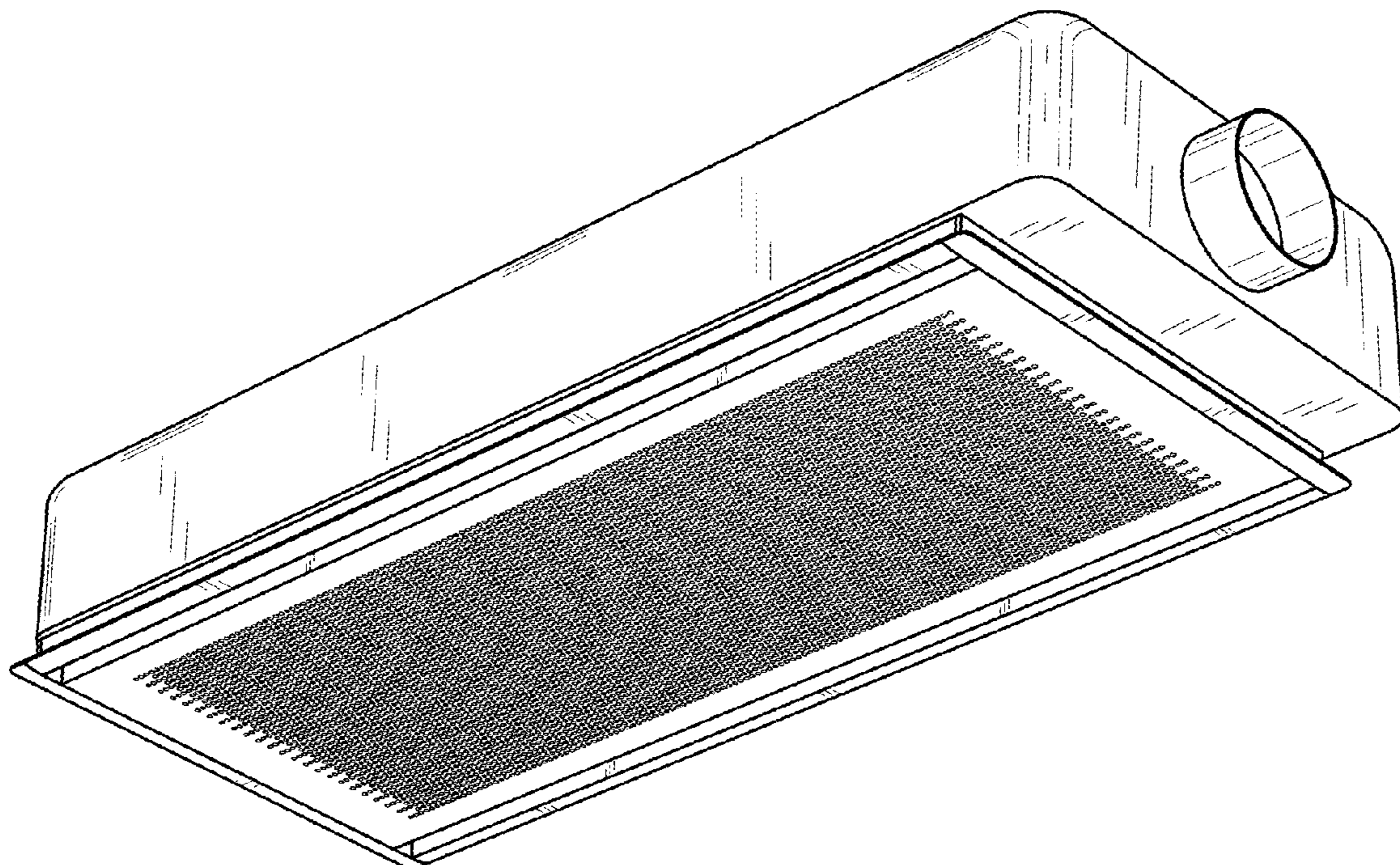
FIG. 4 is a top view of the air-conditioning outlet of FIG. 1.

FIG. 5 is a bottom view of the air-conditioning outlet of FIG. 1; and,

FIG. 6 is a perspective view of the air-conditioning outlet of FIG. 1.

My design is intended for use as an air-conditioning outlet on an interior ceiling of a room.

1 Claim, 3 Drawing Sheets



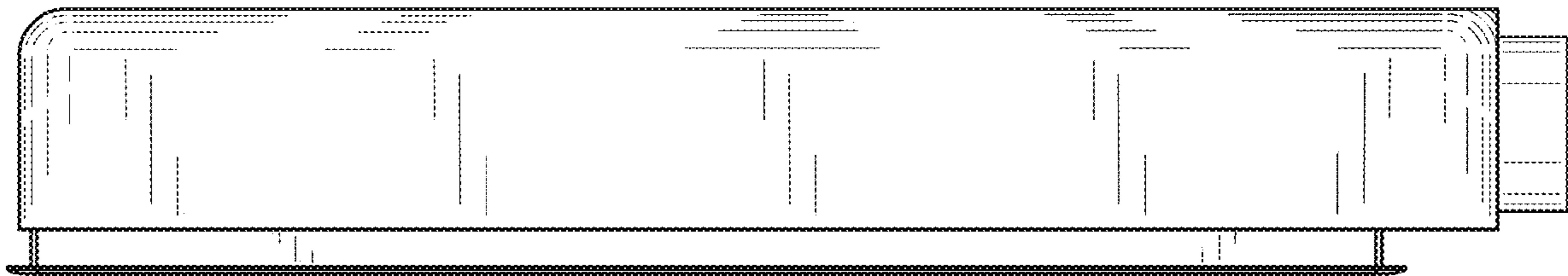


FIG. 1



FIG. 2

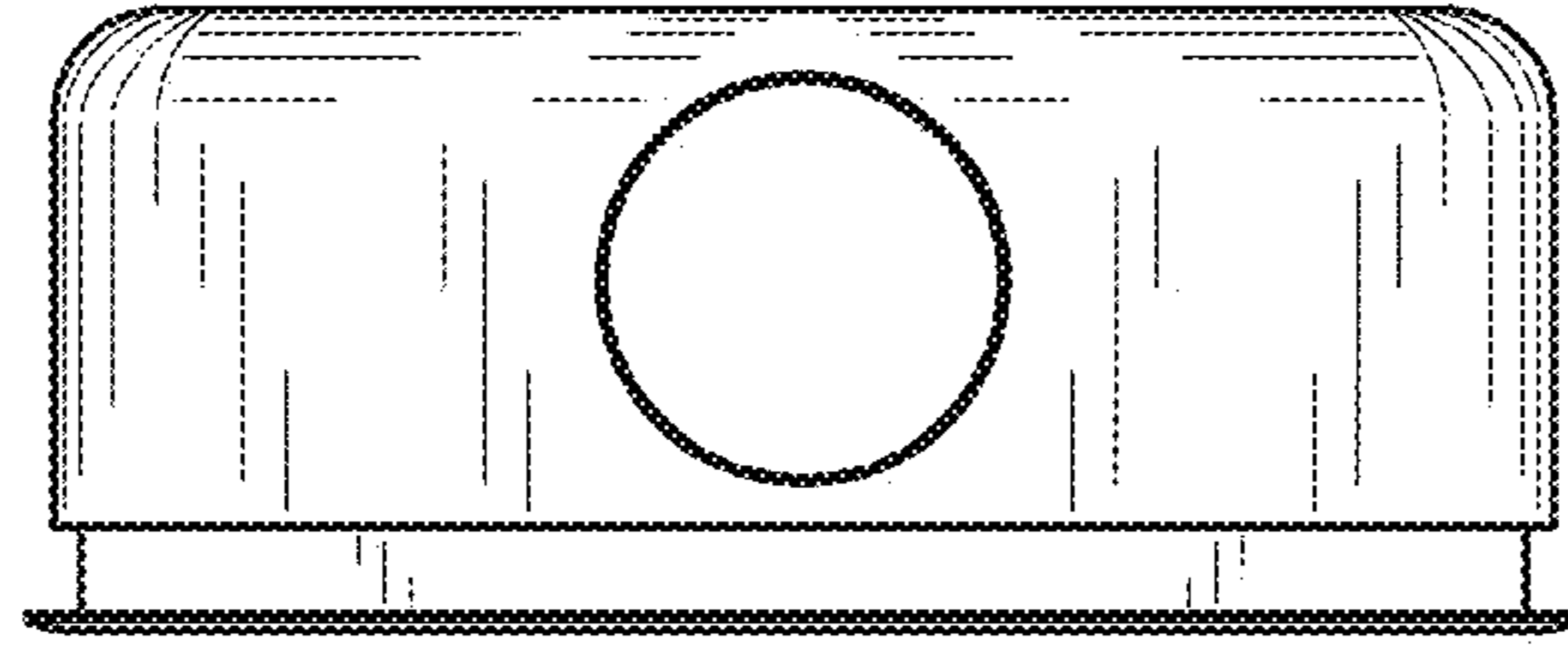


FIG. 3

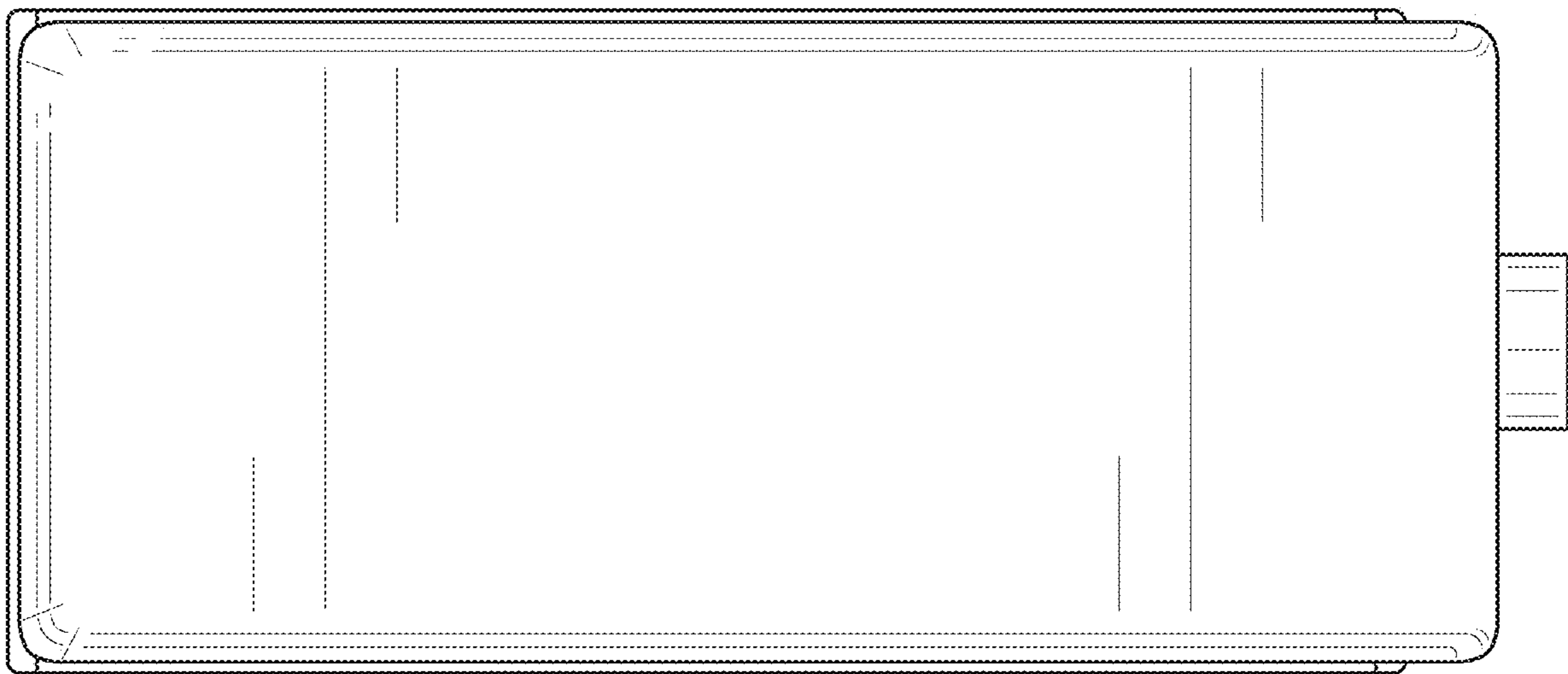


FIG. 4

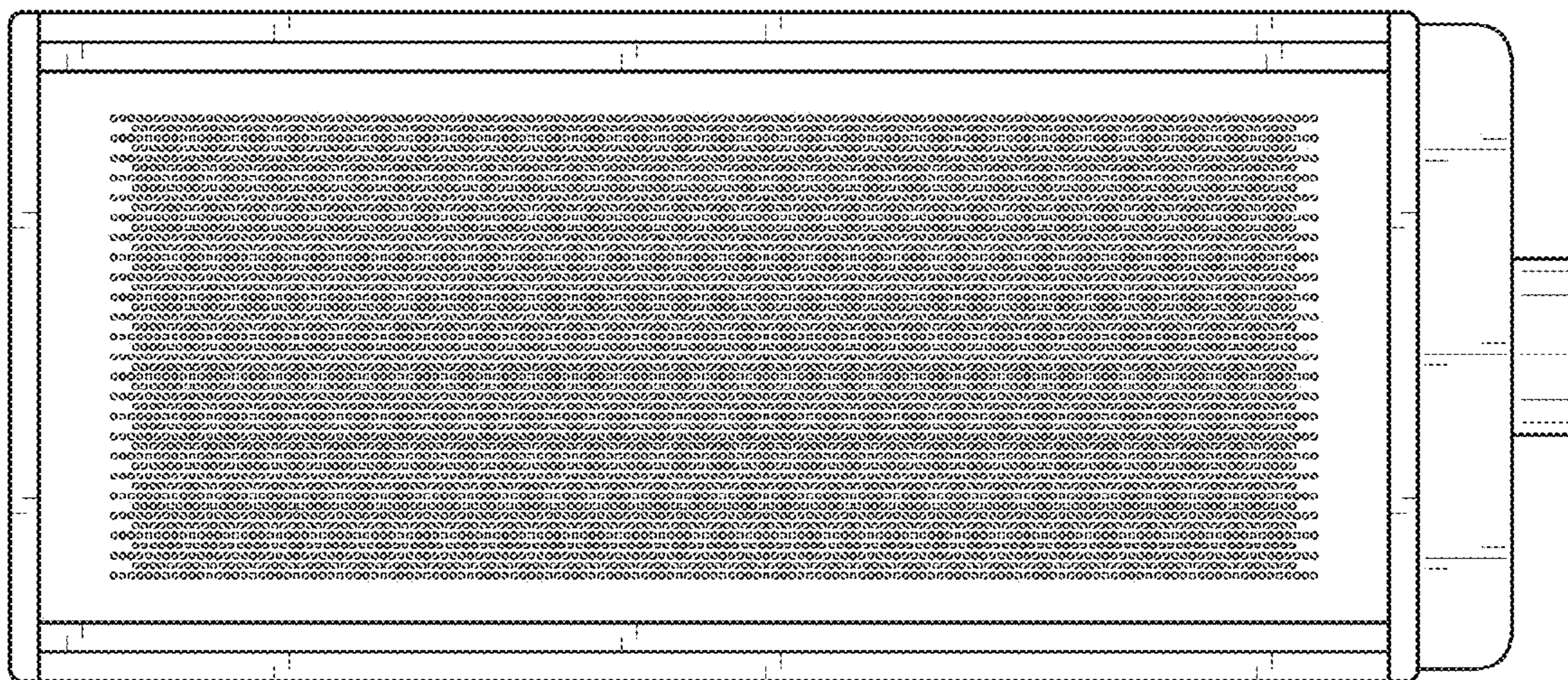


FIG. 5

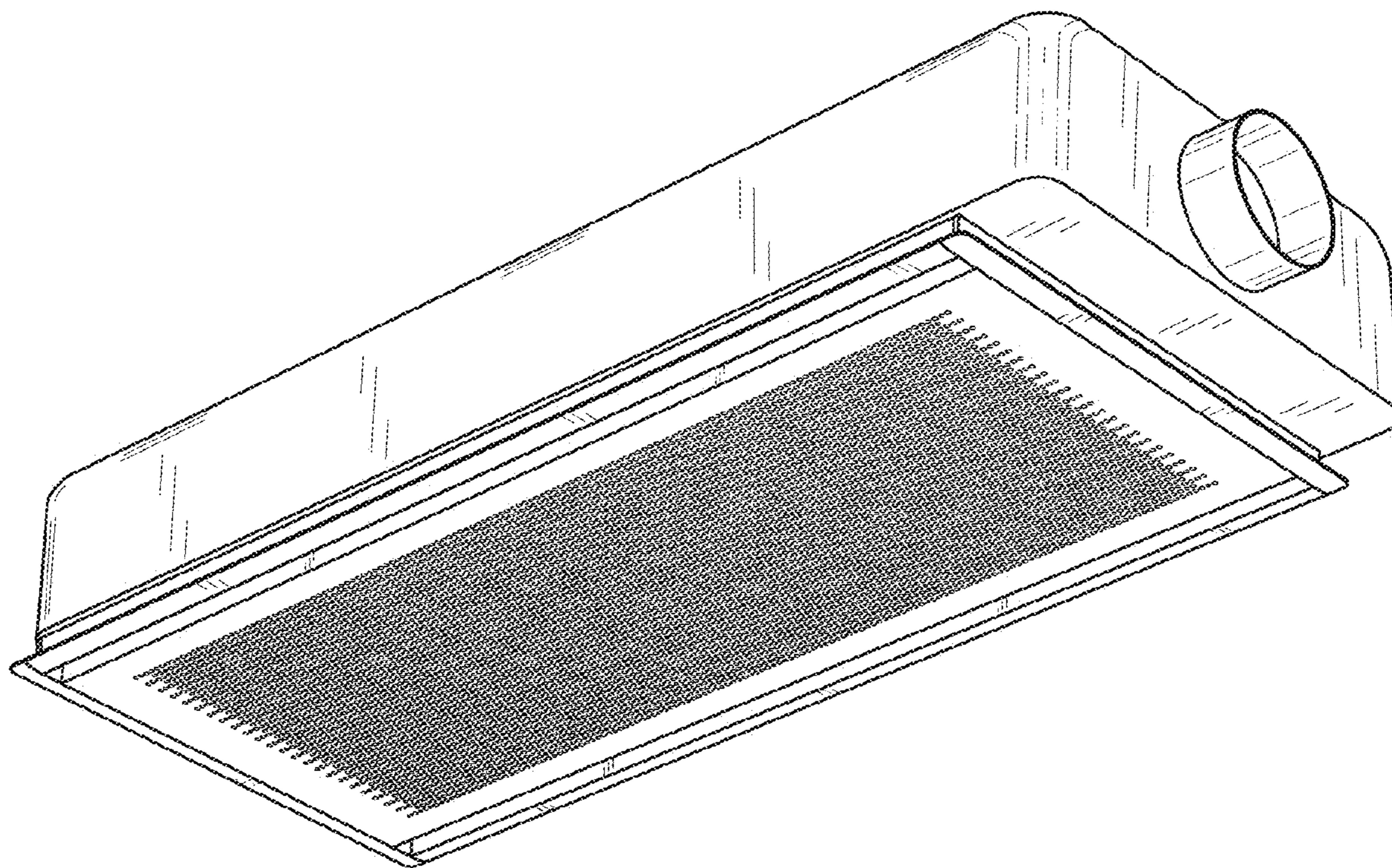


FIG. 6