



US00D879284S

(12) **United States Design Patent**  
**Puffer**

(10) **Patent No.:** **US D879,284 S**

(45) **Date of Patent:** **\*\* Mar. 24, 2020**

(54) **GRILLE ASSEMBLY FOR A BATHROOM VENTILATION FAN**

(71) Applicant: **Broan-NuTone LLC**, Hartford, WI (US)

(72) Inventor: **Benjamin Puffer**, Hartford, WI (US)

(73) Assignee: **Broan-NuTone LLC**, Hartford, WI (US)

(\*\*) Term: **15 Years**

(21) Appl. No.: **29/648,405**

(22) Filed: **May 21, 2018**

(51) **LOC (12) Cl.** ..... **23-04**

(52) **U.S. Cl.**  
USPC ..... **D23/385; D23/371**

(58) **Field of Classification Search**  
USPC ..... D23/351, 353, 354, 267, 343-348, 370, D23/371, 373-376, 378-385, 386-393,  
(Continued)

(56) **References Cited**

**U.S. PATENT DOCUMENTS**

D229,181 S \* 11/1973 Bledsoe ..... D23/388  
D258,083 S \* 1/1981 Gammell ..... D23/354  
(Continued)

**OTHER PUBLICATIONS**

U.S. Appl. No. 29/514,070, Non Final Office Action dated May 27, 2016, 26 pages.

(Continued)

*Primary Examiner* — Cathron C Brooks  
*Assistant Examiner* — Sharon S Oum

(74) *Attorney, Agent, or Firm* — Barnes & Thornburg LLP

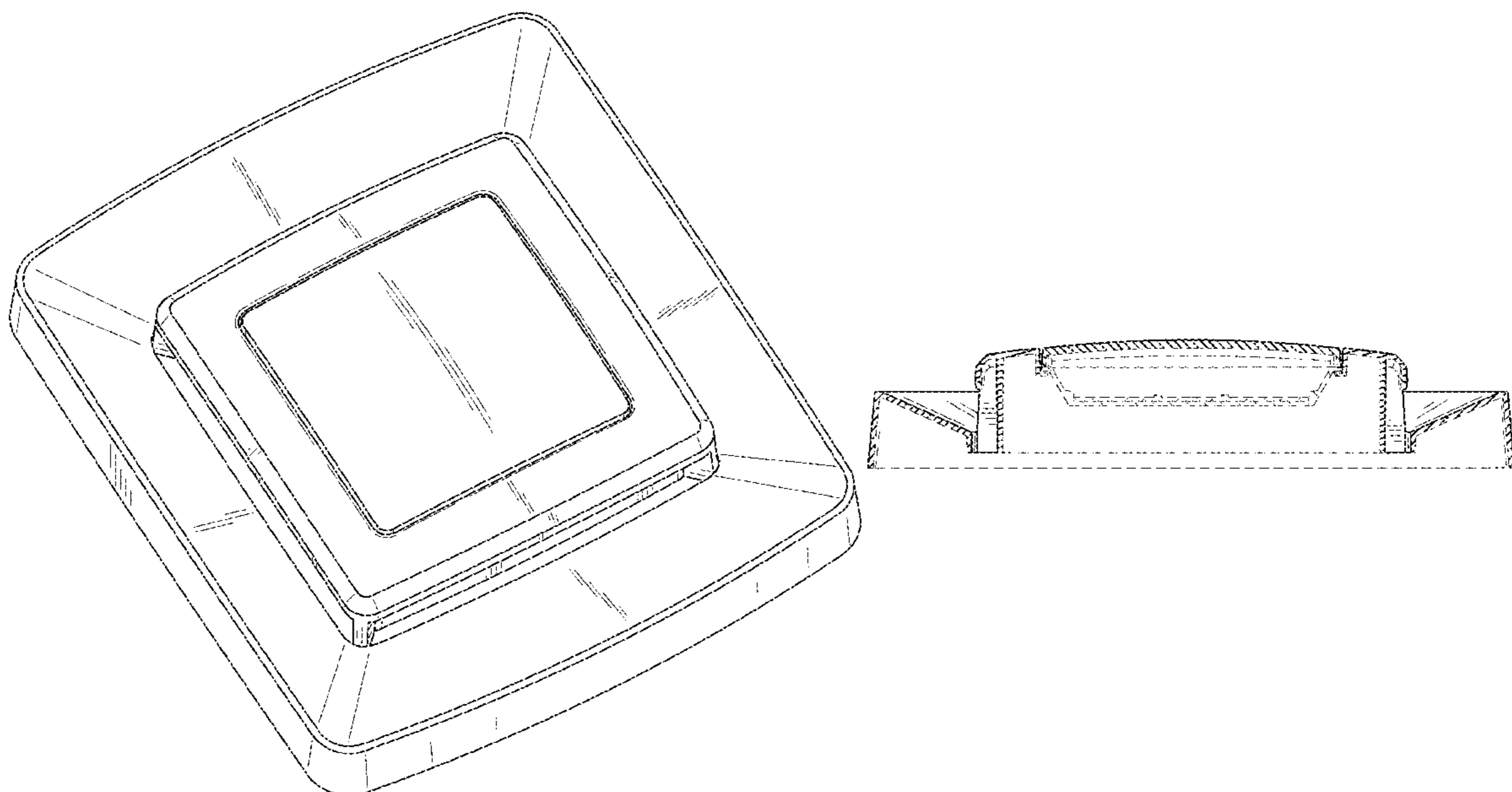
(57) **CLAIM**

I claim the ornamental design for a grille assembly for a bathroom ventilation fan, as shown and described.

**DESCRIPTION**

FIG. 1 is a first perspective view of a grille assembly for a bathroom ventilation fan of the invention;  
FIG. 2 is a second perspective view of the grille assembly of FIG. 1;  
FIG. 3 is a top view of the grille assembly of FIG. 1;  
FIG. 4 is a bottom view of the grille assembly of FIG. 1;  
FIG. 5 is a front and rear side view of the grille assembly of FIG. 1, with respect to the top view orientation of FIG. 3;  
FIG. 6 is a left and right side view of the grille assembly of FIG. 1, with respect to the top view orientation of FIG. 3;  
FIG. 7 is a first sectional view of the grille assembly of FIG. 1, taken along section line 7-7 of FIG. 3;  
FIG. 8 is a second sectional view of the grille assembly of FIG. 1, taken along section line 8-8 of FIG. 3;  
FIG. 9 is a first perspective view of a grille assembly for a bathroom ventilation fan of the invention;  
FIG. 10 is a second perspective view of the grille assembly of FIG. 9;  
FIG. 11 is a top view of the grille assembly of FIG. 9;  
FIG. 12 is a bottom view of the grille assembly of FIG. 9;  
FIG. 13 is a front and rear side view of the grille assembly of FIG. 9, with respect to the top view orientation of FIG. 11;  
FIG. 14 is a left and right side view of the grille assembly of FIG. 9, with respect to the top view orientation of FIG. 11;  
FIG. 15 is a first sectional view of the grille assembly of FIG. 9, taken along section line 15-15 of FIG. 11; and  
FIG. 16 is a second sectional view of the grille assembly of FIG. 9, taken along section line 16-16 of FIG. 11.  
The dashed broken lines illustrate portions of the grille assembly for a bathroom ventilation fan that form no part of the claimed design.

**1 Claim, 12 Drawing Sheets**





(58) **Field of Classification Search**

USPC ..... D23/411-412, 333, 364-365; D14/172,  
D14/214  
CPC ..... F24F 13/078; F24F 7/007; F24F 7/065;  
F24F 2221/14; F24F 2013/205; F21V  
33/0096; F21V 33/0088; F04D 29/626;  
F04D 29/4226

See application file for complete search history.

(56) **References Cited**

U.S. PATENT DOCUMENTS

D531,301 S	*	10/2006	Sinur .....	D23/385
D575,386 S	*	8/2008	Jacak .....	D23/371
D617,889 S	*	6/2010	Miyake .....	D23/385
D618,782 S	*	6/2010	Zakula .....	D23/385
D626,644 S		11/2010	Jacak et al.	
D635,238 S		3/2011	Zakula et al.	
D653,323 S		1/2012	Jacak et al.	
D654,998 S		2/2012	Zakula et al.	
D655,403 S		3/2012	Zakula et al.	
D665,225 S		8/2012	Zakula et al.	
D678,995 S		3/2013	Hoshino et al.	
D701,952 S		4/2014	Hoshino et al.	
D706,916 S	*	6/2014	Penlesky .....	D23/370
D759,800 S		6/2016	Adrian et al.	
D778,424 S		2/2017	Jonas et al.	
D778,425 S		2/2017	Jonas et al.	
D779,050 S		2/2017	Jonas et al.	
D784,511 S		4/2017	Jonas et al.	
D784,512 S		4/2017	Jonas et al.	
D799,677 S		10/2017	Jonas et al.	
D799,678 S		10/2017	Jonas et al.	
D799,679 S		10/2017	Jonas et al.	
D800,294 S	*	10/2017	Jonas .....	D23/385
D800,295 S		10/2017	Jonas et al.	
D800,892 S		10/2017	Jonas et al.	
D815,724 S		4/2018	Jonas et al.	
D816,206 S		4/2018	Jonas et al.	
D822,821 S		7/2018	Jonas et al.	
D837,966 S		1/2019	Adrian et al.	
D842,449 S		3/2019	Chang et al.	
D844,765 S	*	4/2019	Zhang .....	D23/364
D846,720 S	*	4/2019	Niki .....	D23/351
2010/0009621 A1	*	1/2010	Hsieh .....	F21V 33/0096 454/293
2016/0069561 A1	*	3/2016	Jonas .....	F21V 29/83 362/96

OTHER PUBLICATIONS

Chinese Application No. 201630055109.5, Office Action dated Jun. 1, 2016, 3 pages.  
Canadian Application No. 165,307, Response filed Jun. 15, 2016 to Office Action Feb. 15, 2016, 9 pages.  
Canadian Application No. 165,355, Response filed Jun. 15, 2016 to Office Action dated Feb. 15, 2016, 6 pages.  
Canadian Application No. 165,366, Response filed Jun. 15, 2016 to Office Action dated Feb. 15, 2016, 18 pages.  
U.S. Appl. No. 29/514,061, Response filed Aug. 17, 2016 to Non Final Office Action dated May 19, 2016, 6 pages.  
U.S. Appl. No. 29/514,063, Response filed Aug. 17, 2016, to Non Final Office Action dated May 19, 2016, 8 pages.  
U.S. Appl. No. 29/514,067, Response filed Aug. 22, 2016 to Non Final Office Action dated May 20, 2016, 6 pages.  
U.S. Appl. No. 29/514,073, Response filed Aug. 22, 2016 to Non Final Office Action dated May 20, 2016, 6 pages.  
U.S. Appl. No. 29/514,970, Response filed Aug. 29, 2016 to Non Final Office Action dated May 27, 2016, 6 pages.  
U.S. Appl. No. 29/538,019, Restriction Requirement dated Sep. 1, 2016, 7 pages.  
Chinese Application No. 201630055109.5, Response filed Sep. 18, 2016 to Office Action dated Jun. 1, 2016, 8 pages.

U.S. Appl. No. 29/514,061, Final Office Action dated Sep. 19, 2016, 9 pages.  
U.S. Appl. No. 29/514,073, Notice of Allowance dated Sep. 19, 2016, 8 pages.  
U.S. Appl. No. 29/514,067, Notice of Allowance dated Sep. 20, 2016, 9 pages.  
U.S. Appl. No. 29/514,070, Notice of Allowance dated Sep. 21, 2016, 6 pages.  
Canadian Application No. 165,355, Response filed for Sep. 22, 2016 to Office Action dated Jul. 28, 2016, 2 pages.  
U.S. Appl. No. 29/514,070, Corrected Notice of Allowance dated Oct. 5, 2016, 2 pages.  
U.S. Appl. No. 29/514,073, Corrected Notice of Allowance dated Oct. 5, 2016, 2 pages.  
U.S. Appl. No. 29/538,019, Examiner Interview Summary dated Oct. 11, 2016, 7 pages.  
U.S. Appl. No. 29/514,063, Response filed Oct. 24, 2016 to Non Final Office Action dated May 19, 2016, 20 pages.  
Canadian Application No. 169,274, Office Action dated Oct. 25, 2016, 2 pages.  
U.S. Appl. No. 29/538,019, Response filed Nov. 1, 2016 to Restriction Requirement dated Sep. 1, 2016, 4 pages.  
Canadian Application No. 167,117, Response filed Nov. 3, 2016 to Office Action dated Jul. 14, 2016, 10 pages.  
U.S. Appl. No. 29/514,061, Response filed Nov. 21, 2016 to Final Office Action dated Sep. 19, 2016, 16 pages.  
U.S. Appl. No. 29/538,019, Notice of Allowance dated Nov. 23, 2016, 9 pages.  
U.S. Appl. No. 29/539,396, Notice of Allowance dated Feb. 27, 2017, 9 pages.  
U.S. Appl. No. 29/539,401, Notice of Allowance dated Feb. 27, 2017, 8 pages.  
U.S. Appl. No. 29/539,391, Notice of Allowance dated Mar. 1, 2017, 8 pages.  
U.S. Appl. No. 29/539,405, Notice of Allowance dated Mar. 1, 2017, 8 pages.  
U.S. Appl. No. 29/539,409, Notice of Allowance dated Mar. 2, 2017, 8 pages.  
U.S. Appl. No. 29/539,392, Notice of Allowance dated Mar. 3, 2017, 8 pages.  
U.S. Appl. No. 29/539,415, Notice of Allowance dated Mar. 9, 2017, 8 pages.  
U.S. Appl. No. 29/539,414, Notice of Allowance dated Mar. 13, 2017, 2 pages.  
U.S. Appl. No. 29/539,414, Corrected Notice of Allowance dated Mar. 31, 2017, 2 pages.  
Broan QTX110SL Media Gallery, Broan QTX110SL Combination Fan, Light, Night-Light, 110 CFM, 0.9 Sones, Humidity Sensing, VENTINGDIRECT.COM, 1 page.  
Admitted Prior Art NuTone 79ILEDNT Fan/Light.  
Emerson Environment Products, Whole House Fan and Shutter System Owners Manual, Dec. 1982.  
Photographs of Panasonic Ventilating Fan, Model FV-11, VHL1, available prior to Jan. 2, 2008, 3 pages.  
Spartan Electric Company, Direct Drive Whole House Fans Publication, available prior to Jan. 2, 2008.  
"Whirlpool 30 and 36 Range Hood Models UXT3030AY/ UXT3036AY." Installation Instructions and Use & Care Guide, [online], Retrieved from the Internet: <[http://www.whirlpool.ca/digitalassests/UCT3030AYB/US%20and%20Care\\_EN.pdf](http://www.whirlpool.ca/digitalassests/UCT3030AYB/US%20and%20Care_EN.pdf)>, 2011. 28 pages.  
"Maytag 30 in. Non-Vented Range Hood in Stainless Steel," Model# UXT4030AYS, Home Depot, [online], Retrieved from the Internet on Sep. 23, 2013: <[http://www.homedepot.com/p/Maytag-30-in-Non-Vented-Range-Hood-in-Stainless-Steel-UXT\\_4030AYS/202832999#customer\\_reviews](http://www.homedepot.com/p/Maytag-30-in-Non-Vented-Range-Hood-in-Stainless-Steel-UXT_4030AYS/202832999#customer_reviews)>, 5 pages.  
"Finnleo Steam Sauna Ventilation Wood Grill," online, Retrieved from the Internet: <<https://www.tineye.com/search/8ff8db465e46f58bcad482160583c-b539dc23fa4/>>, Jun. 6, 2012.  
U.S. Appl. No. 11/968,250 Non Final Office Action dated Sep. 20, 2012, 21 pages.  
U.S. Appl. No. 11/968,250, Response filed Dec. 20, 2012 to Non-Final Office Action dated Sep. 20, 2012, 26 pages.



(56)

## References Cited

## OTHER PUBLICATIONS

U.S. Appl. No. 11/968,250, Non Final Office Action dated Mar. 26, 2013, 20 pages.

U.S. Appl. No. 11/968,250, Response filed May 24, 2013 to Final Office Action dated Mar. 26, 2013, 20 pages.

U.S. Appl. No. 11/968,250, Advisory Action dated Jun. 24, 2013, 3 pages.

U.S. Appl. No. 11/968,250, Non Final Office Action dated Aug. 22, 2013, 18 pages.

U.S. Appl. No. 29/458,592, Non Final Office Action dated Sep. 27, 2013, 7 pages.

U.S. Appl. No. 11/968,250, Response filed Nov. 8, 2013 to Non Final Office Action dated Aug. 22, 2013, 23 pages.

Grille Images, image post date Nov. 23, 2013, site visited May 14, 2016, [online], <<https://www.tineye.com/search/ea95b48bdc1fce15b6d68e4fbc33c-0e4e7566460/>>.

U.S. Appl. No. 29/458,592, Response filed Dec. 27, 2013 to Non Final Office Action dated Sep. 27, 2013, 8 pages.

U.S. Appl. No. 11/968,250, Final Office Action dated Jan. 22, 2014, 18 pages.

U.S. Appl. No. 29/458,592, Notice of Allowance dated Mar. 4, 2014, 6 pages.

Napoleon Prestige Pro 450-Natural Gas, image post date Apr. 5, 2014, site visited May 15, 2016, [online], <<http://web.archive.org/web/20140405111728/http://www.bbqworld.co.uk/n-apolon/napoleon-prestige-pro-450-natural-gas.asp>>.

“Ultra Green Series,” [online], Retrieved from Internet: <<http://web.archive.org/web/20140416053348/http://www.boran.com/products/filter/ultra-406c-abf1-ed72241eb706>>, Apr. 16, 2014.

“Airvent 435103 Kitchen Extractor Fan,” [online], Retrieved from Internet: <<https://www.amazon.co.uk/Airvent-435103-Kitchen-Extractor-1-50mm/dp/B0085TQ75U/ref=pd.sub.--cp.sub.--107.sub.--3?ie=UTF8&refRID=1MXRP1-Q1QR5H6NZ1MR7C>>, May 14, 2014.

U.S. Appl. No. 11/968,250, Response filed May 22, 2014 to Final Office Action dated Jan. 22, 2014, 12 pages.

U.S. Appl. No. 11/968,250, Non Final Office Action dated Jun. 19, 2014, 18 pages.

U.S. Appl. No. 11/968,250, Response filed Sep. 19, 2014 to Non Final Office Action dated Jun. 19, 2014, 11 pages.

Air Vent Grille Cover, image post date Nov. 9, 2014, site visited May 14, 2016, [online], <<https://www.tineye.com/search/232b8f674998285163e7a3de47a03ed0ef9b1dc-6/>>.

U.S. Appl. No. 11/968,250, Final Office Action dated Nov. 26, 2014, 20 pages.

“Manrose FF100P Bathroom Fan,” [online], Retrieved from Internet: <<https://www.tineye.com/search/63988ff8b950dad9cb1aacc51119050bdd00cf2-1/?plugin=ver=>>>, Dec. 12, 2014.

U.S. Appl. No. 29/458,589, Restriction Requirement dated Apr. 9, 2015, 7 pages.

U.S. Appl. No. 29/458,589, Response filed Apr. 27, 2015 to Restriction Requirement dated Apr. 9, 2015, 4 pages.

Canadian Application No. 163,017, Office Action dated Nov. 9, 2015, 3 pages.

Canadian Application No. 163,018, Office Action dated Nov. 9, 2015, 2 pages.

Canadian Application No. 163,019, Office Action dated Nov. 9, 2015, 2 pages.

Canadian Application No. 163,015, Office Action dated Nov. 10, 2015, 7 pages.

Canadian Application No. 163,016, Office Action dated Nov. 10, 2015, 2 pages.

U.S. Appl. No. 29/521,663, Restriction Requirement dated Dec. 3, 2015, 3 pages.

U.S. Appl. No. 29/521,663, Response filed Feb. 2, 2016 to Restriction Requirement dated Dec. 3, 2015, 10 pages.

U.S. Appl. No. 29/521,663, Notice of Allowance dated Feb. 12, 2016, 7 pages.

Canadian Application No. 165,307, Office Action dated Feb. 15, 2016, with English Translation, 4 pages.

Canadian Application No. 165,366, Office Action dated Feb. 16, 2016, with English Translation, 4 pages.

Canadian Application No. 163,017, Response filed Mar. 9, 2016 to Office Action dated Nov. 9, 2016, 8 pages.

Canadian Application No. 163,018, Response filed Mar. 9, 2016 to Office Action dated Nov. 9, 2015, 7 pages.

Canadian Application No. 163,019, Response filed Mar. 9, 2016 to Office Action dated Nov. 9, 2015, 7 pages.

Canadian Application No. 163,015, Response filed Mar. 10, 2016 to Office Action dated Nov. 10, 2015, 7 pages.

U.S. Appl. No. 29/514,061, Non Final Office Action dated May 19, 2016, 19 pages.

U.S. Appl. No. 29/514,063, Non Final Office Action dated May 19, 2016, 22 pages.

U.S. Appl. No. 29/514,067, Non Final Office Action dated May 20, 2016, 20 pages.

U.S. Appl. No. 29/514,073, Non Final Office Action dated May 20, 2016, 21 pages.

\* cited by examiner

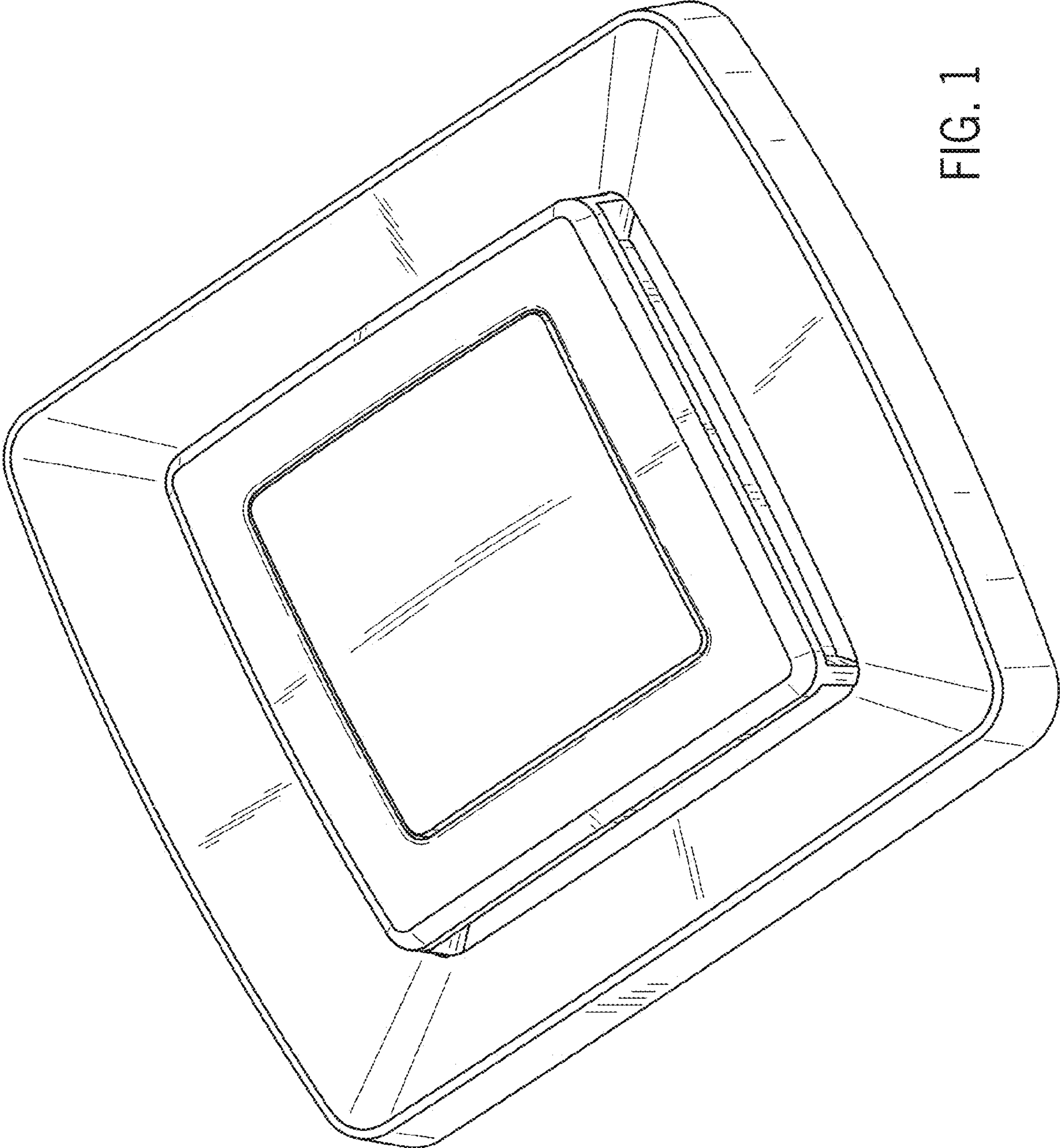


FIG. 1



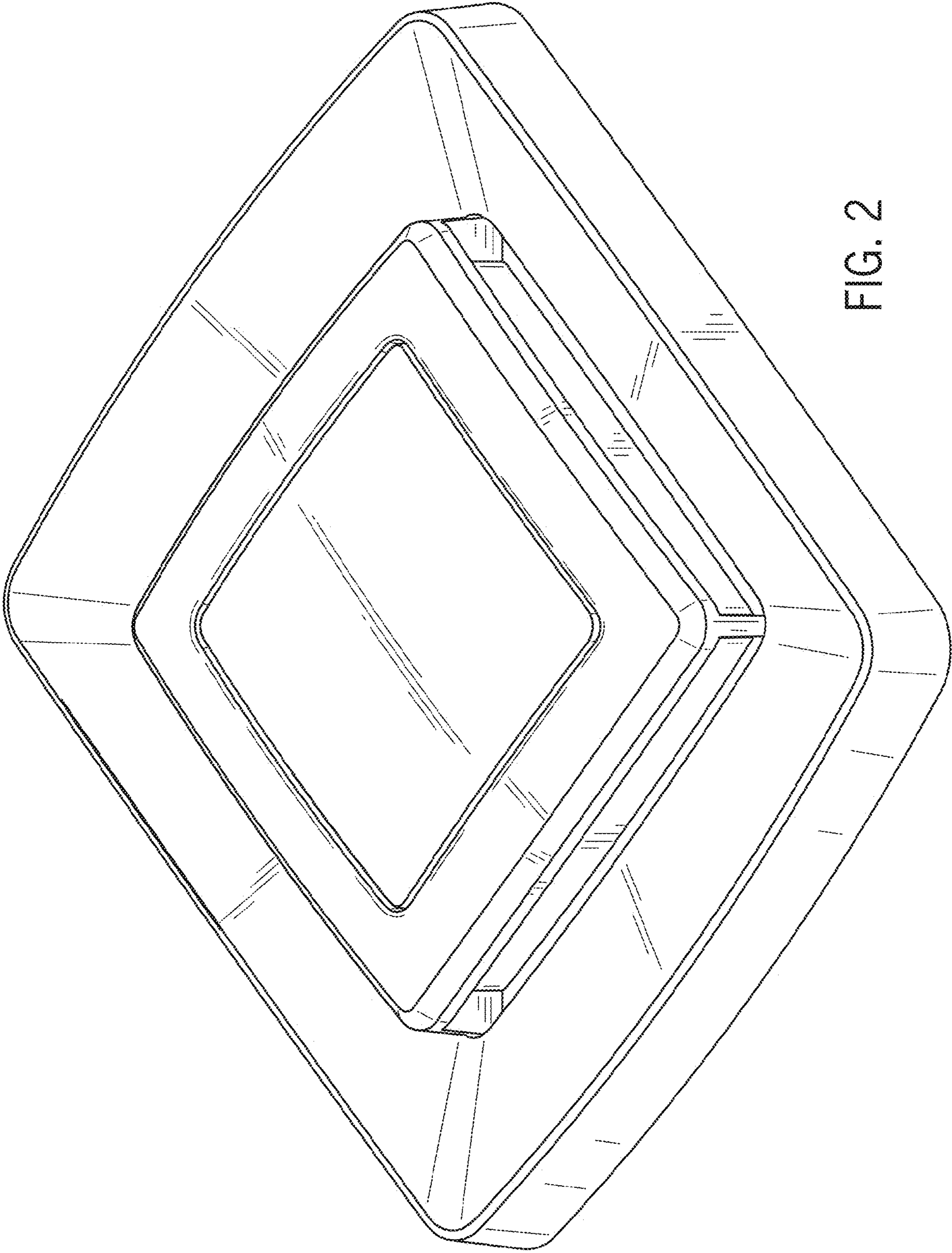


FIG. 2

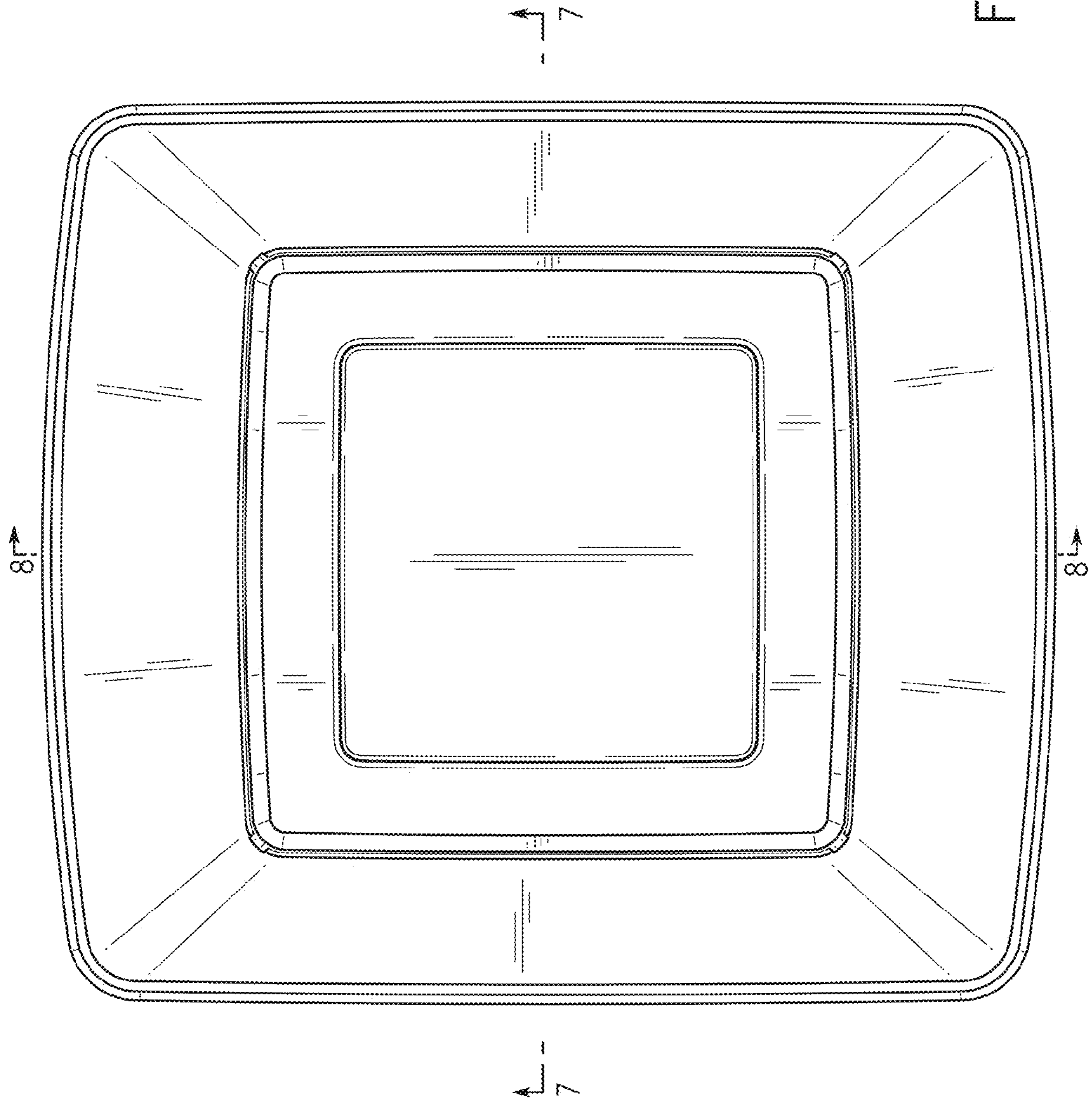


FIG. 3

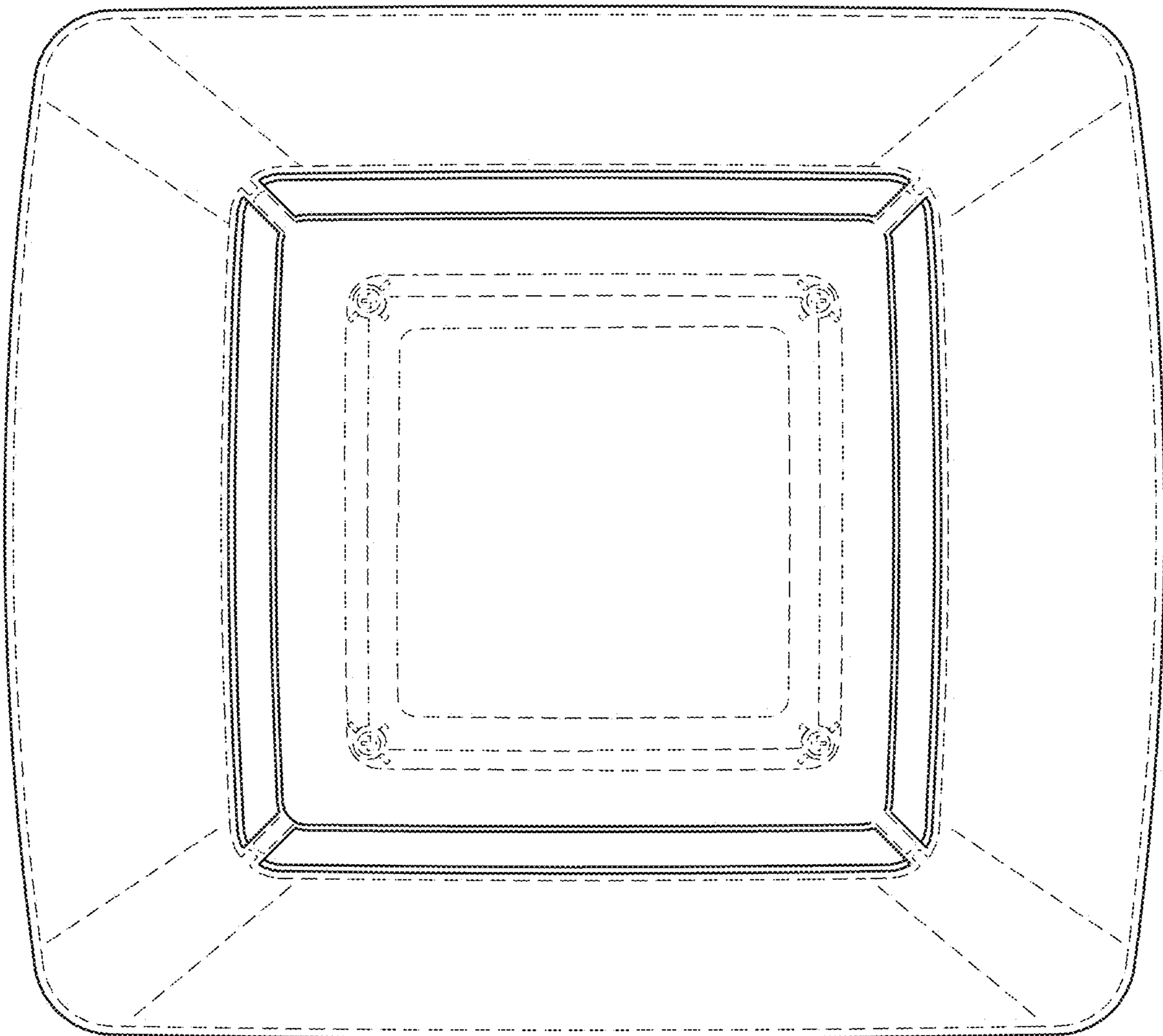


FIG. 4

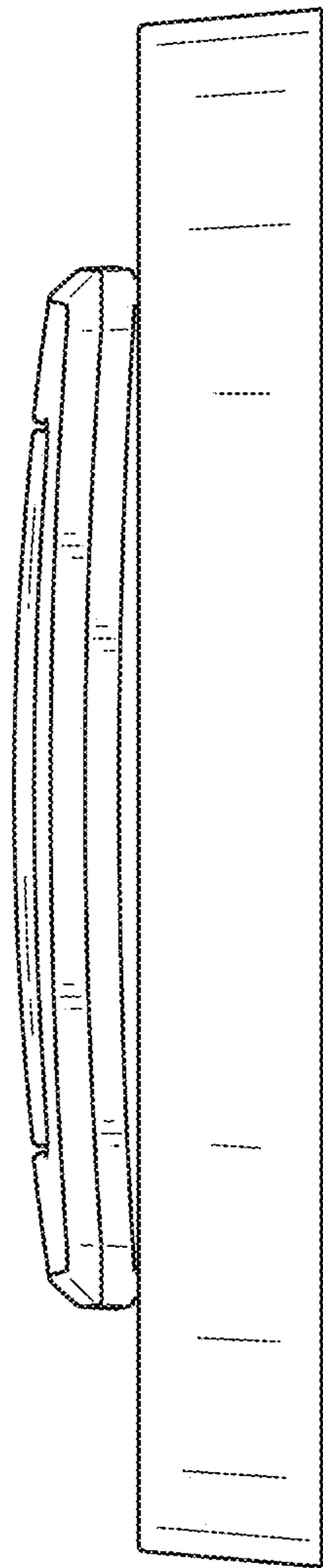


FIG. 5

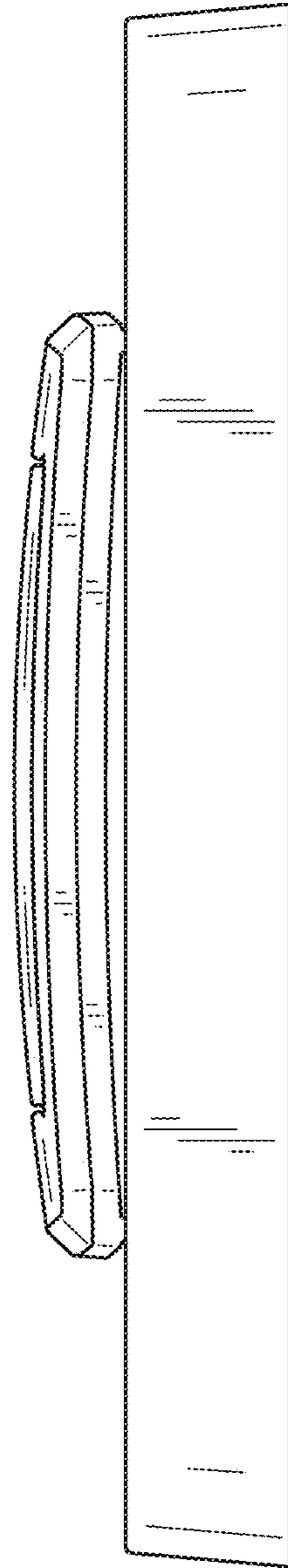


FIG. 6



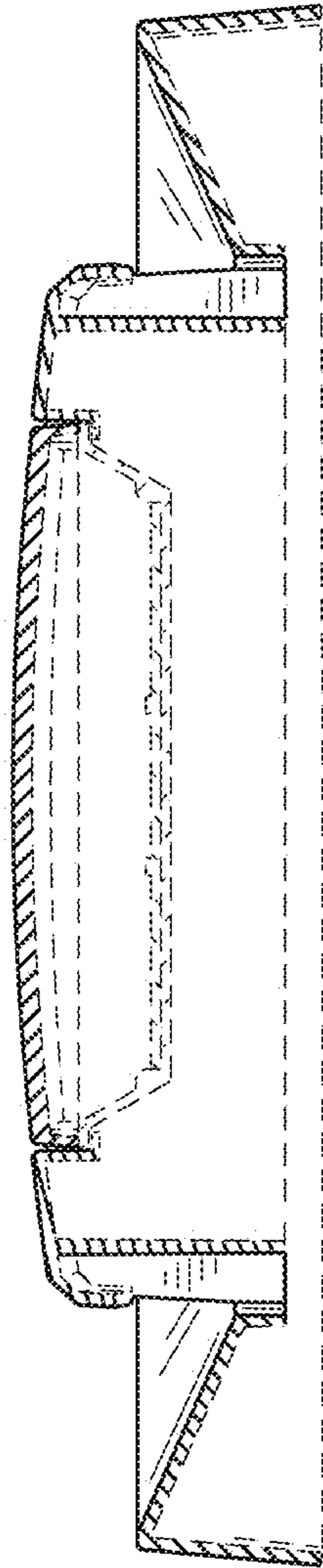


FIG. 7

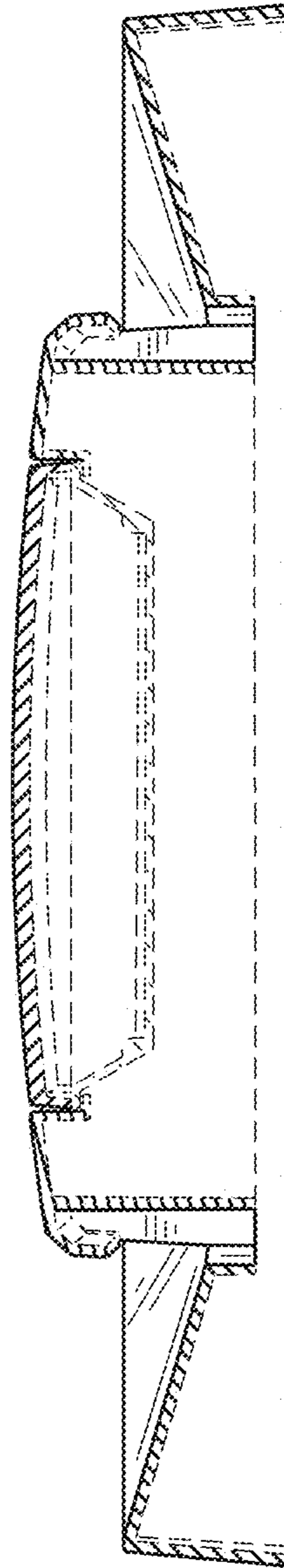


FIG. 8

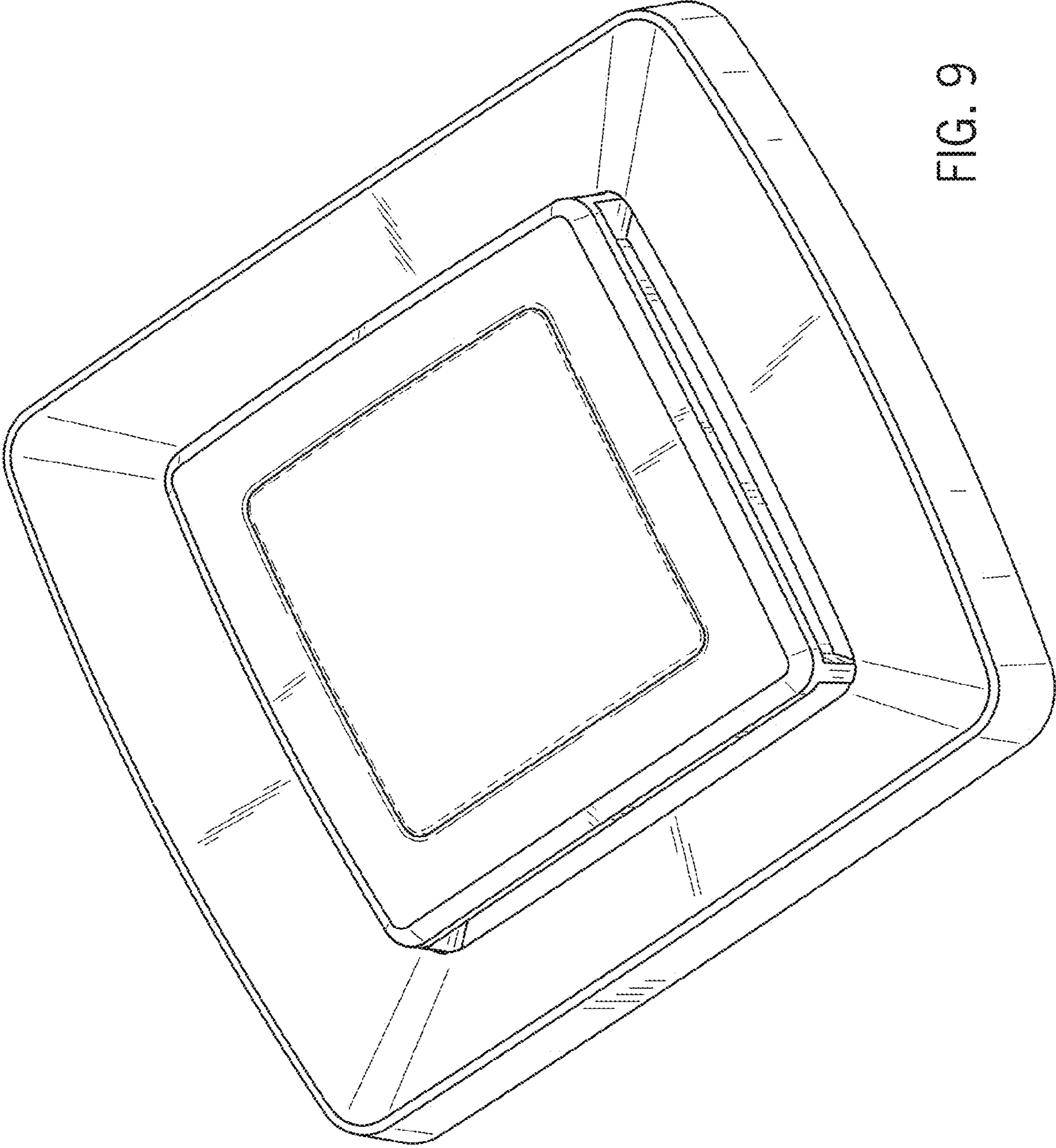


FIG. 9

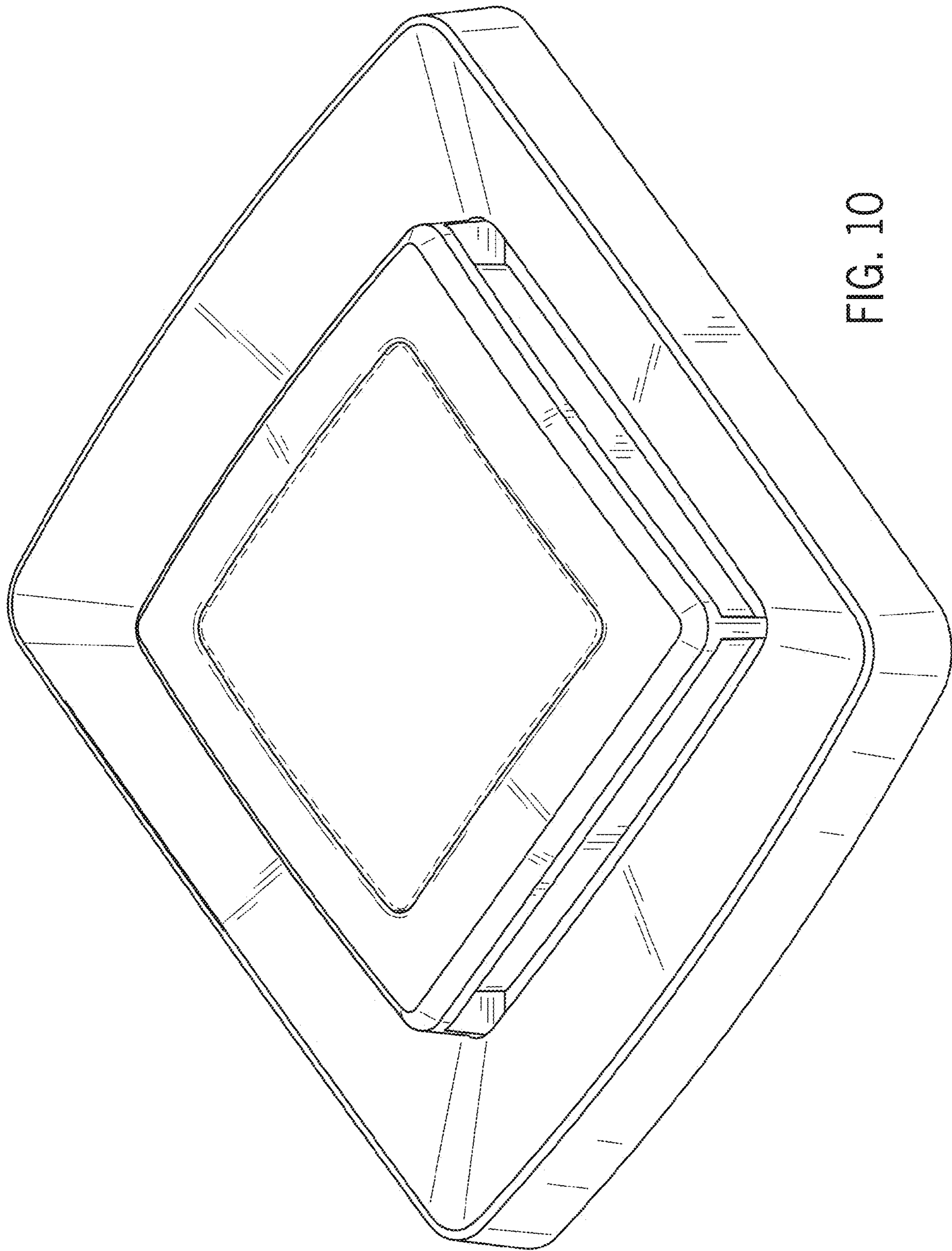
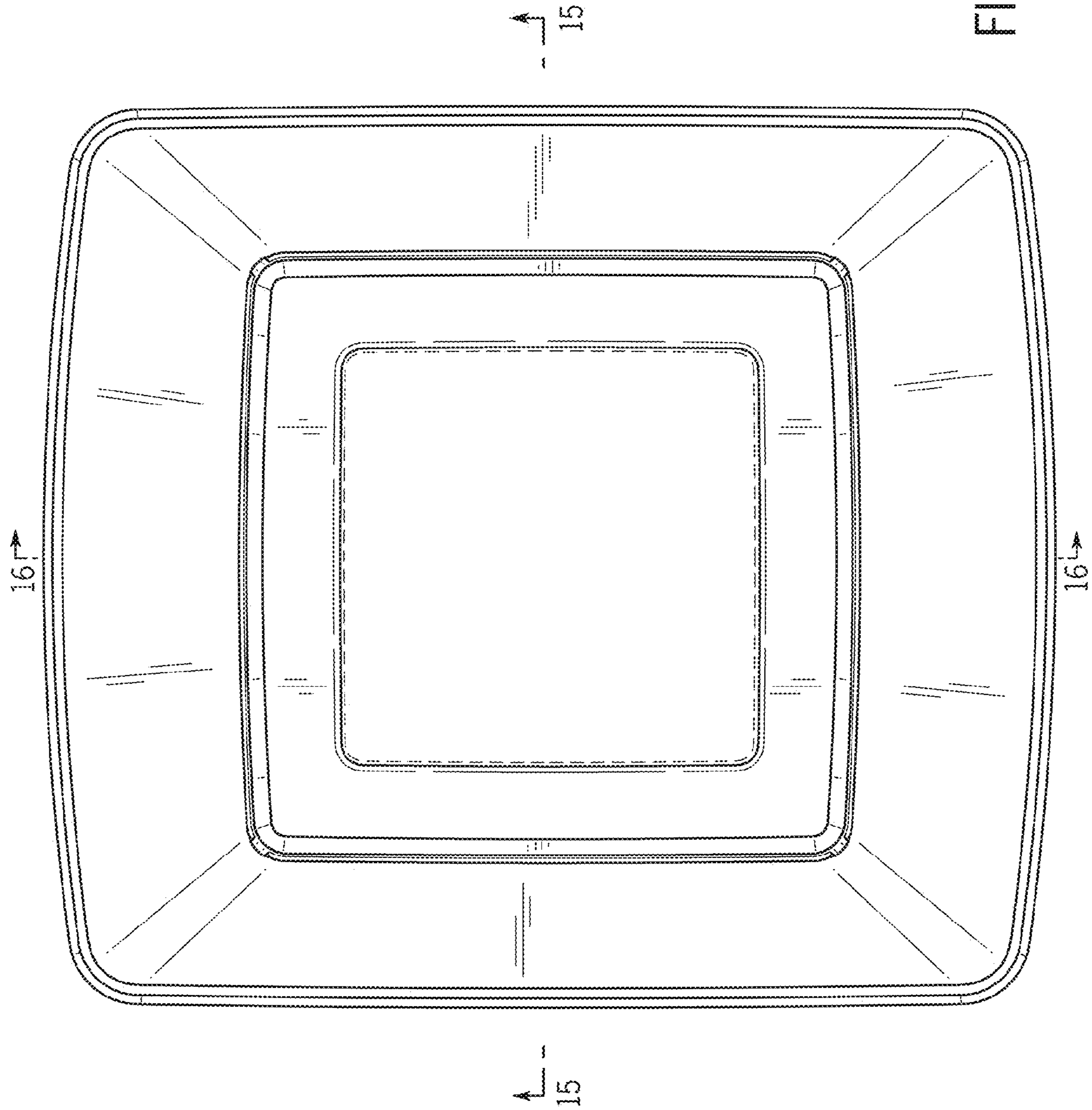


FIG. 10





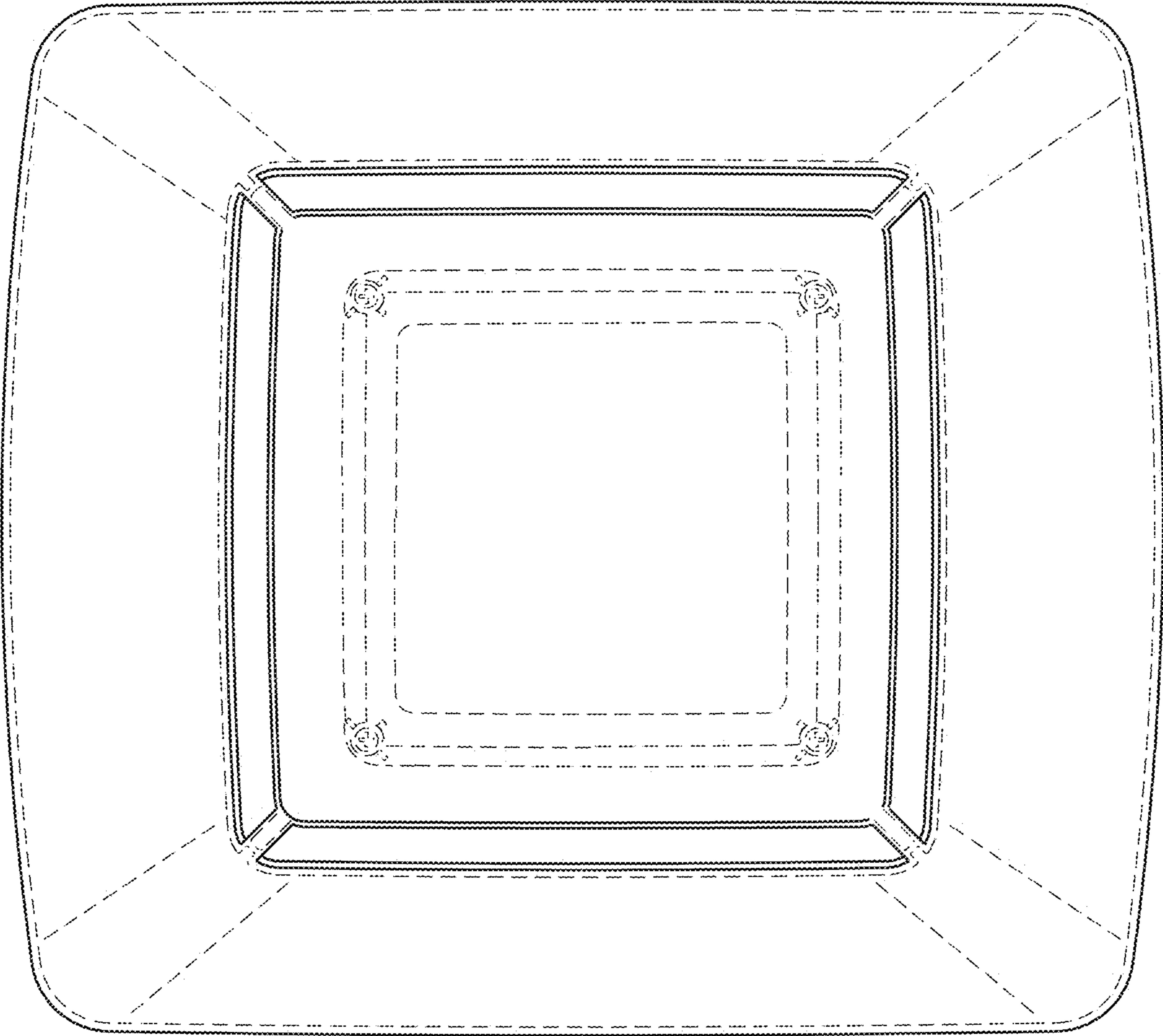


FIG. 12

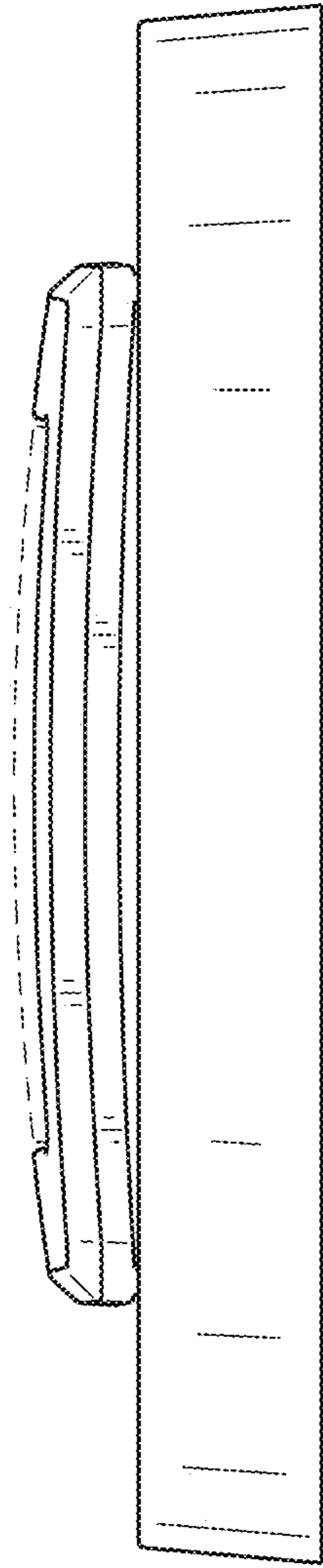


FIG. 13

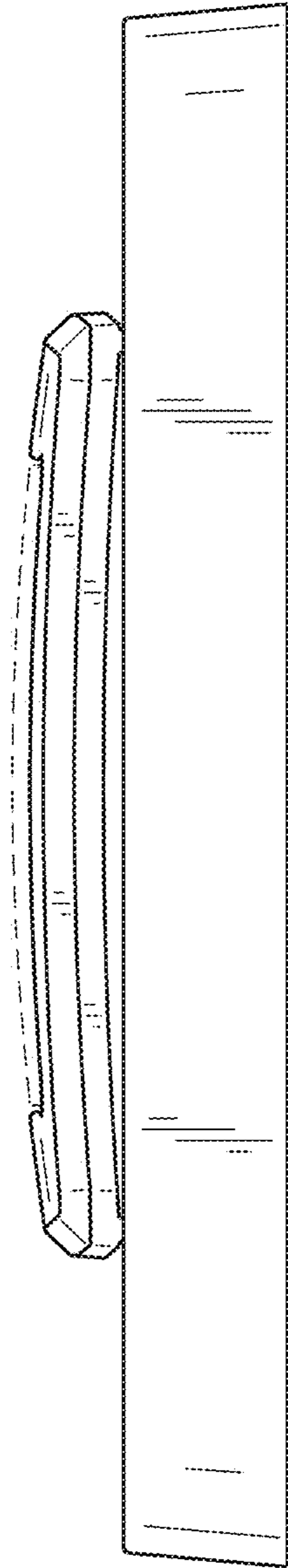


FIG. 14



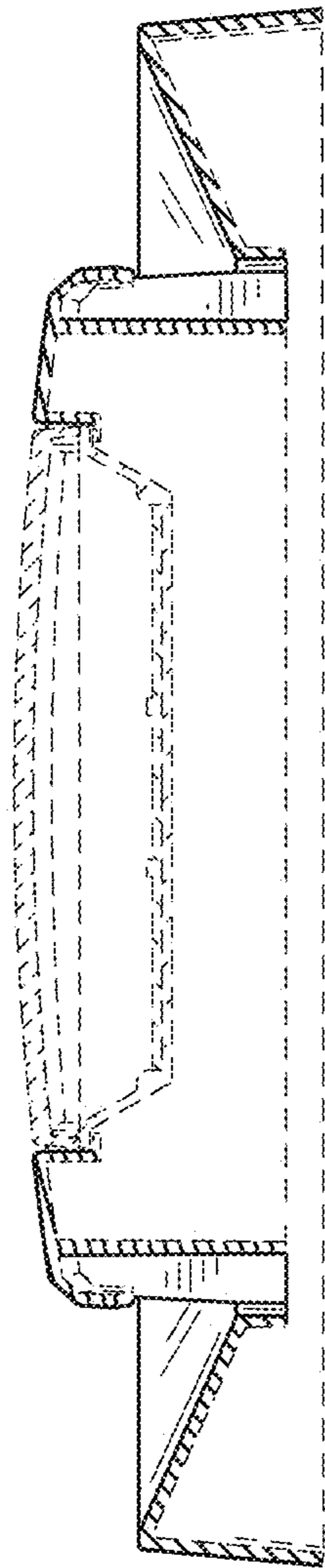


FIG. 15

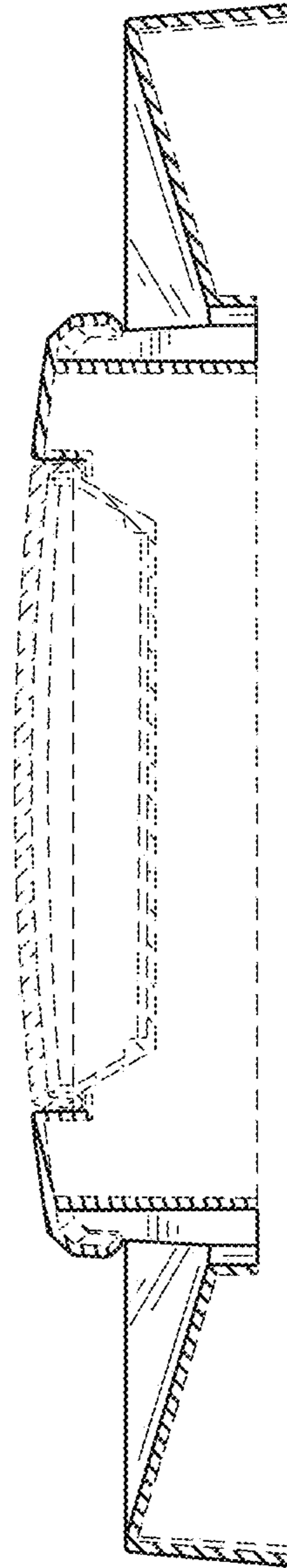


FIG. 16