



US00D879281S

(12) **United States Design Patent**  
**Hidalgo**

(10) **Patent No.:** **US D879,281 S**

(45) **Date of Patent:** **\*\* \*Mar. 24, 2020**

(54) **COMBINATION CEILING FAN AND LIGHT FIXTURE**

(71) Applicant: **Minka Lighting, Inc.**, Corona, CA (US)

(72) Inventor: **Rolando Hidalgo**, Yorba Linda, CA (US)

(73) Assignee: **Minka Lighting, Inc.**, Corona, CA (US)

(\*) Notice: This patent is subject to a terminal disclaimer.

(\*\*) Term: **15 Years**

(21) Appl. No.: **29/670,019**

(22) Filed: **Nov. 13, 2018**

**Related U.S. Application Data**

(63) Continuation of application No. 29/649,875, filed on Jun. 1, 2018, now Pat. No. Des. 833,597.

(51) **LOC (12) Cl.** ..... **23-04**

(52) **U.S. Cl.**  
USPC ..... **D23/377; D23/385**

(58) **Field of Classification Search**  
USPC ..... D23/370, 377, 379, 385, 411; D26/59  
CPC ..... F04D 25/088; F21V 33/0096  
See application file for complete search history.

(56) **References Cited**

**U.S. PATENT DOCUMENTS**

D425,610 S \* 5/2000 Gee, II ..... D23/377  
D428,982 S \* 8/2000 Oldenburg ..... D23/377

D464,722 S \* 10/2002 Sonneman ..... D23/377  
D519,200 S \* 4/2006 Young ..... D23/377  
D537,932 S \* 3/2007 Young ..... D23/377  
D557,787 S \* 12/2007 Gajewski ..... D23/377  
D799,662 S \* 10/2017 McRoberts ..... D23/377  
D807,488 S \* 1/2018 McRoberts ..... D23/377  
D833,597 S \* 11/2018 Hidalgo ..... D23/377

\* cited by examiner

*Primary Examiner* — Janice Hallmark

(74) *Attorney, Agent, or Firm* — Seyfarth Shaw LLP

(57) **CLAIM**

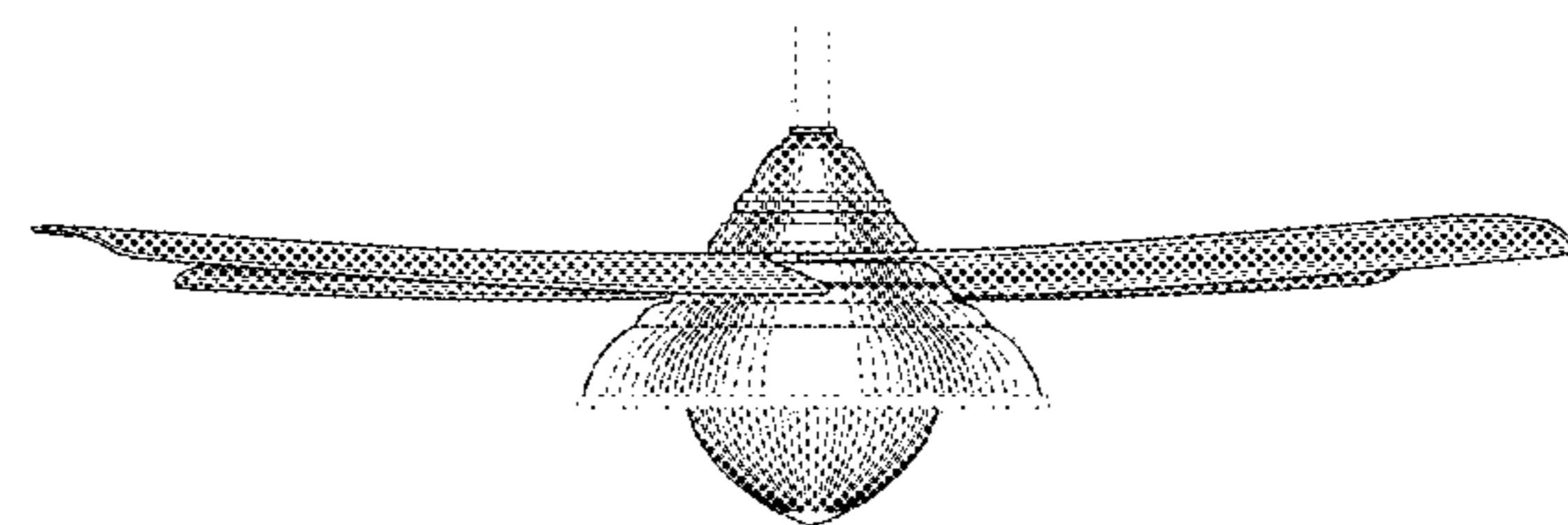
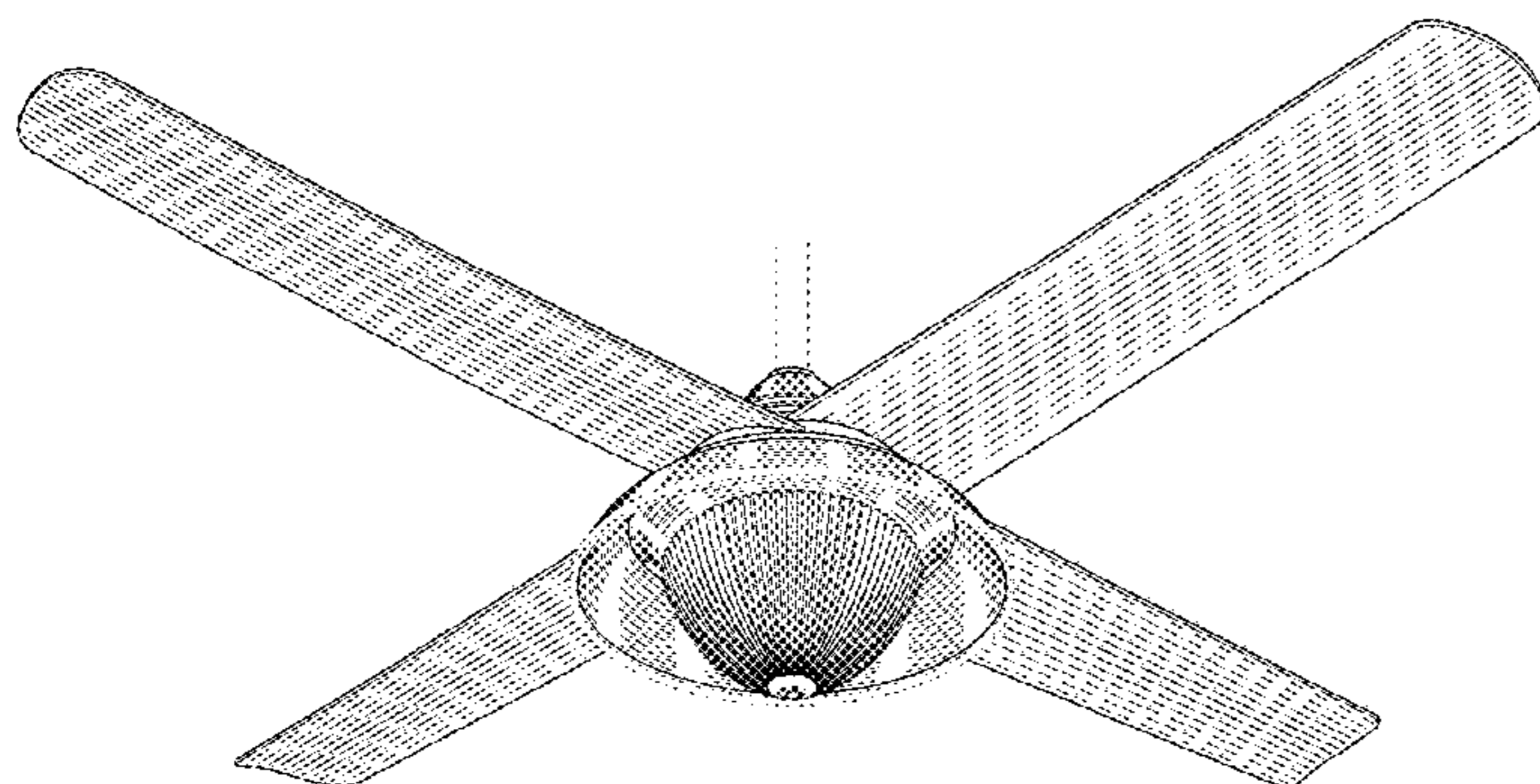
The ornamental design for a combination ceiling fan and light fixture, as shown and described.

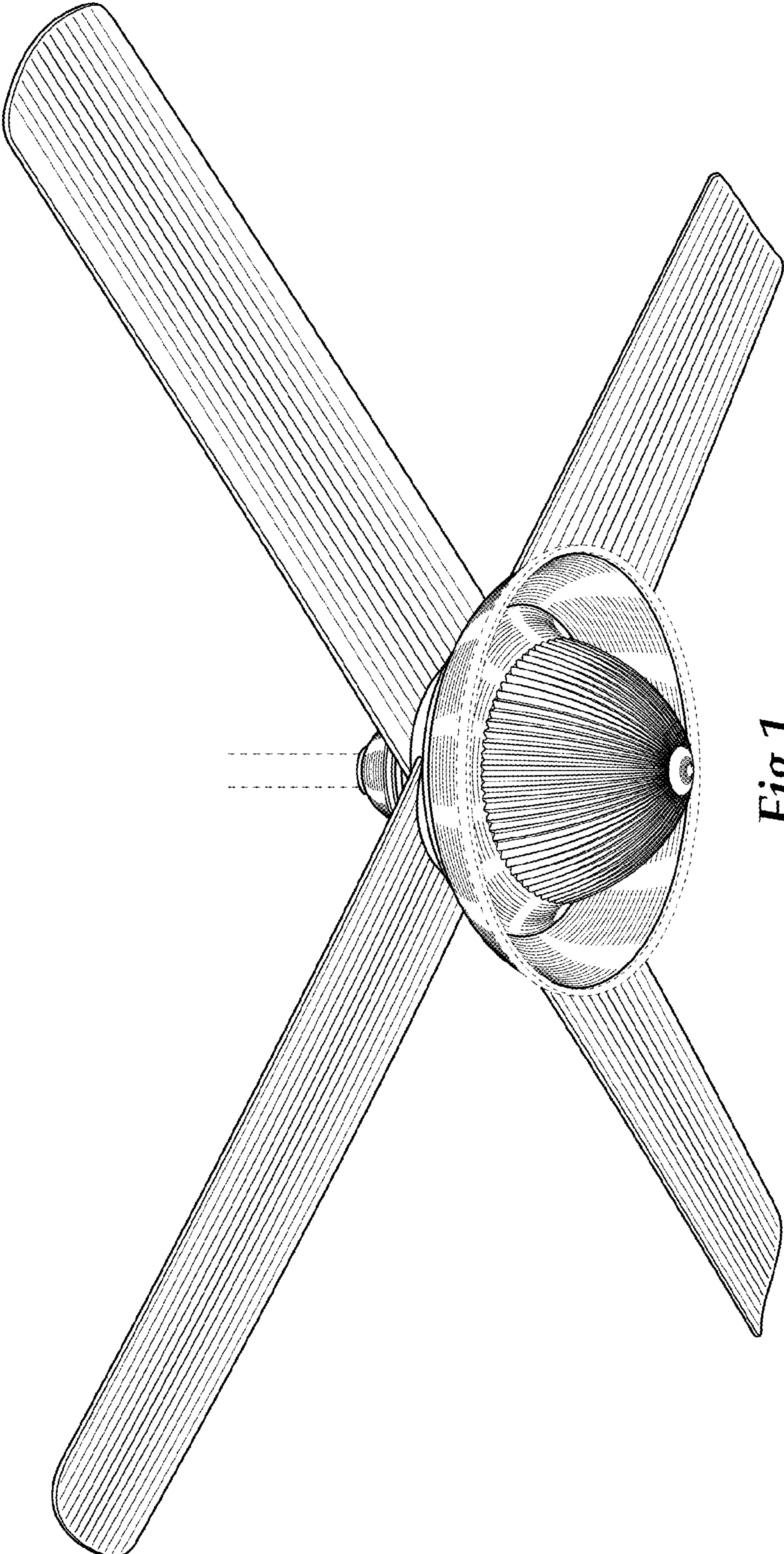
**DESCRIPTION**

FIG. 1 is a perspective view of a combination ceiling fan and light fixture in accordance with my design;  
FIG. 2 is a top plan view thereof;  
FIG. 3 is a bottom plan view thereof;  
FIG. 4 is a front elevation view thereof, the opposite side being a mirror image of that shown;  
FIG. 5 is a left elevation view thereof, the opposite side being a mirror image of that shown; and,  
FIG. 6 is an elevation view thereof between the front and the left elevation views.

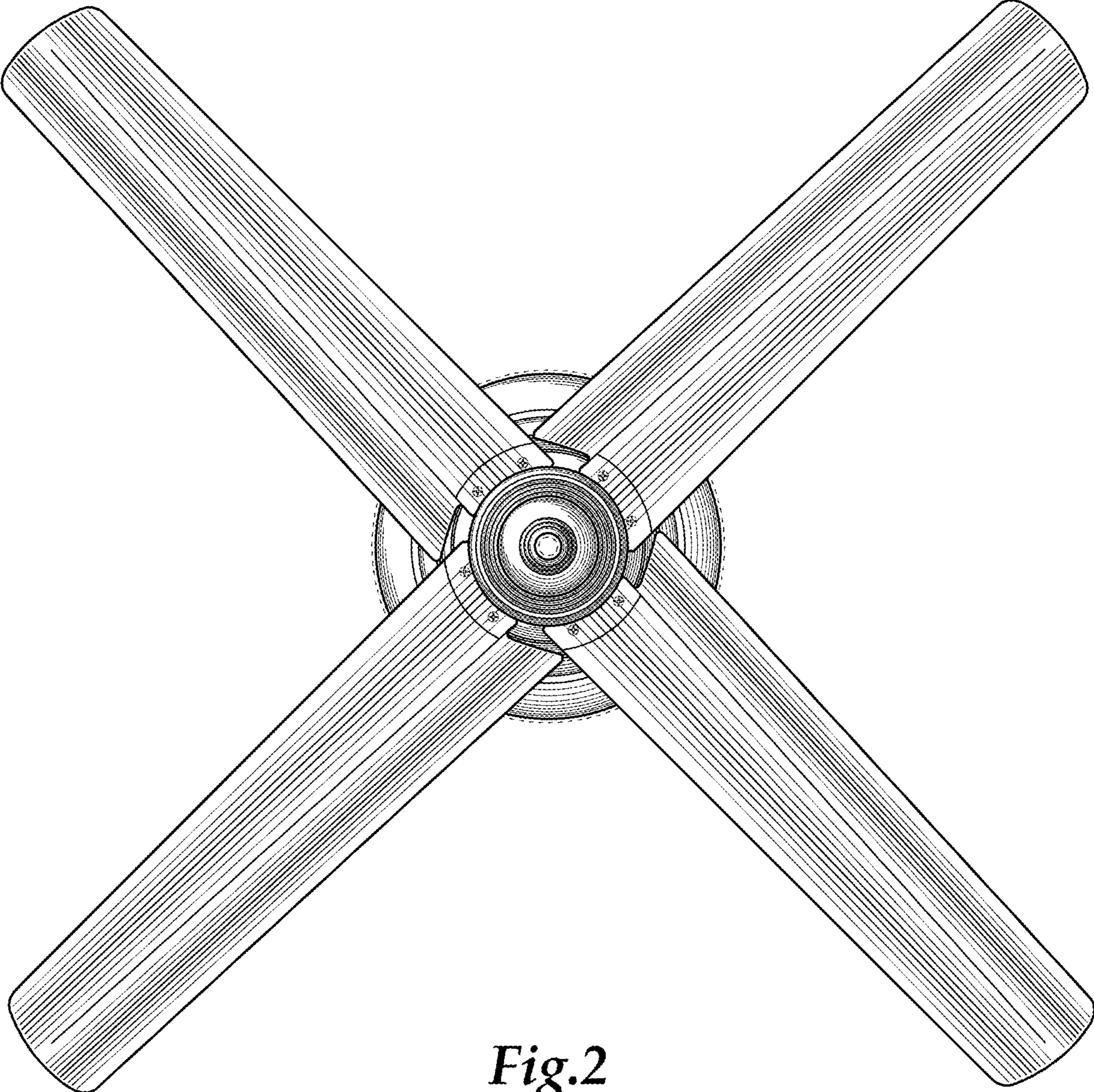
The broken lines in the drawings illustrate portions of the combination ceiling fan and light fixture that form no part of the claimed design.

**1 Claim, 5 Drawing Sheets**

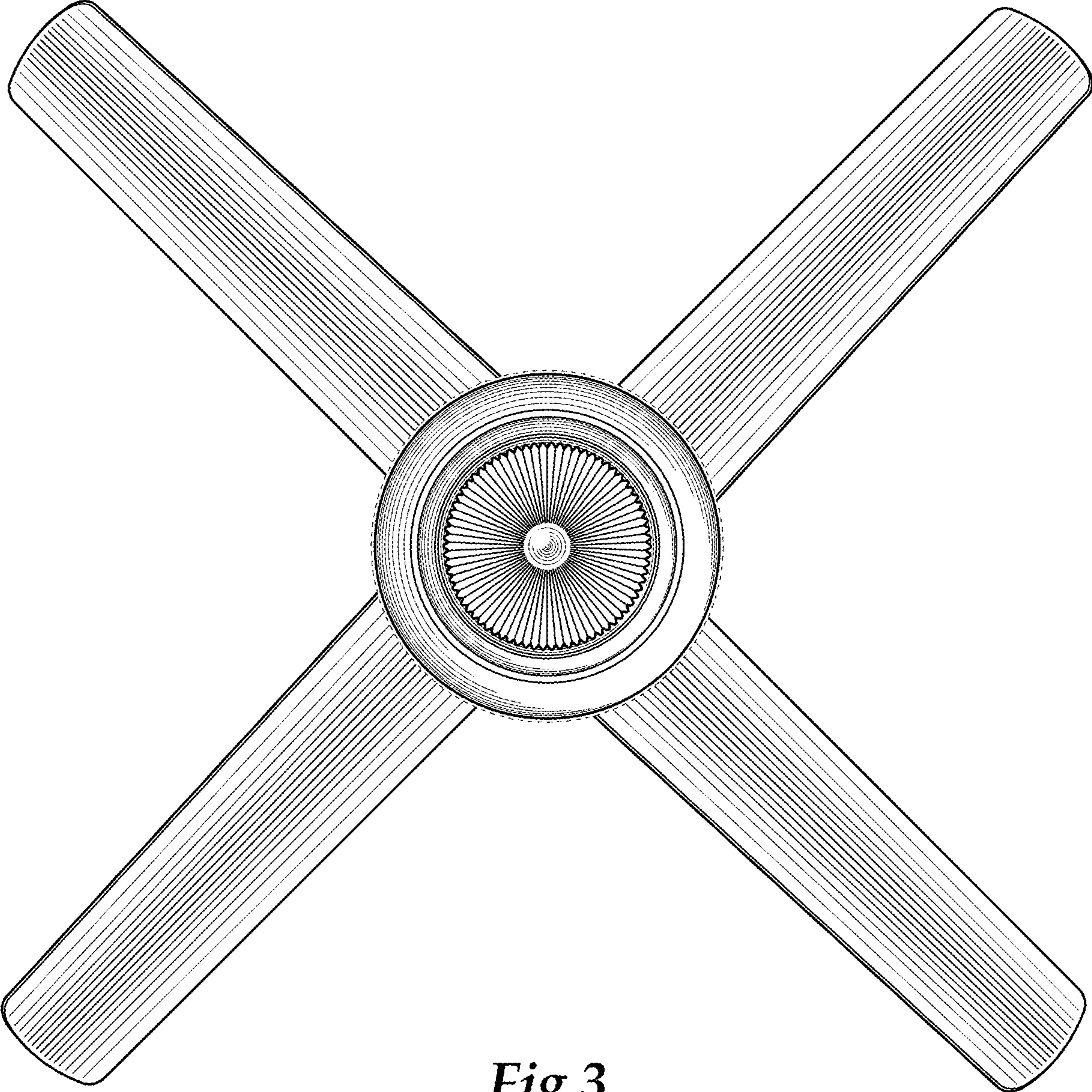




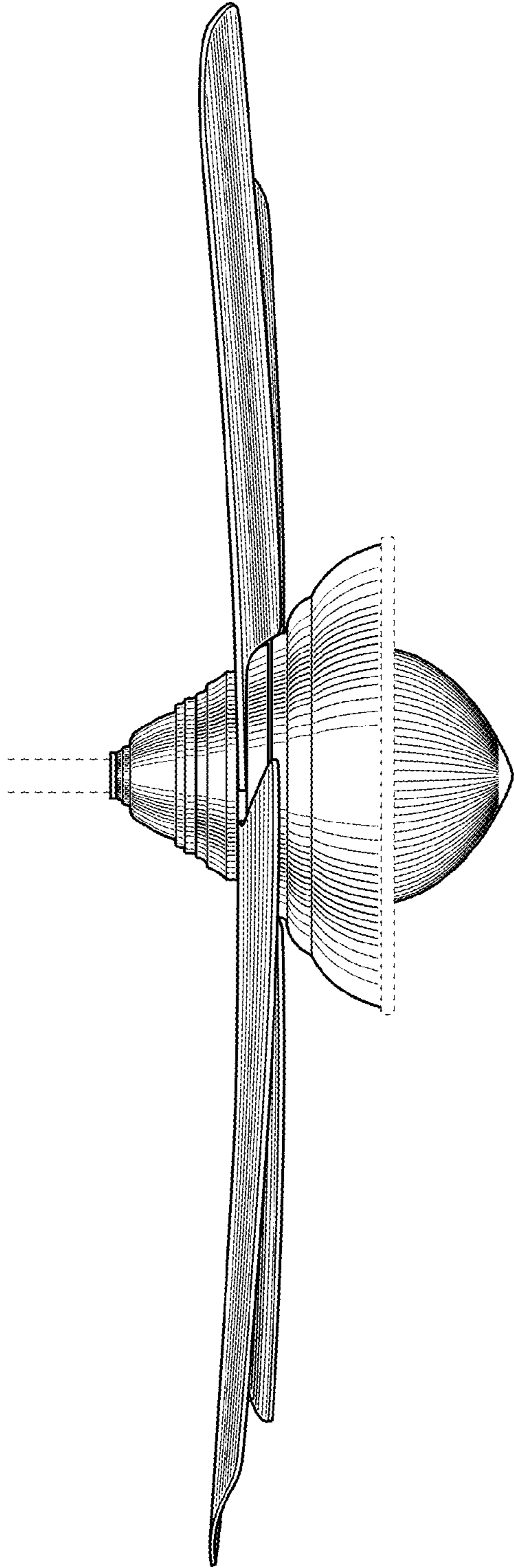
*Fig. 1*



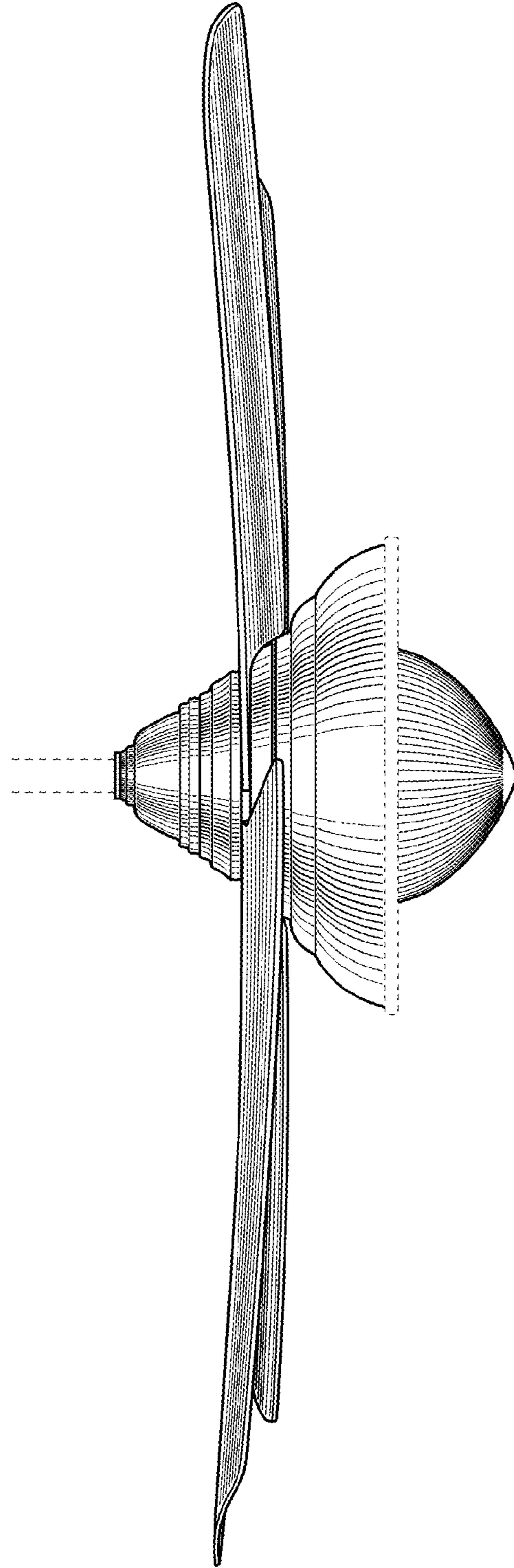
*Fig.2*



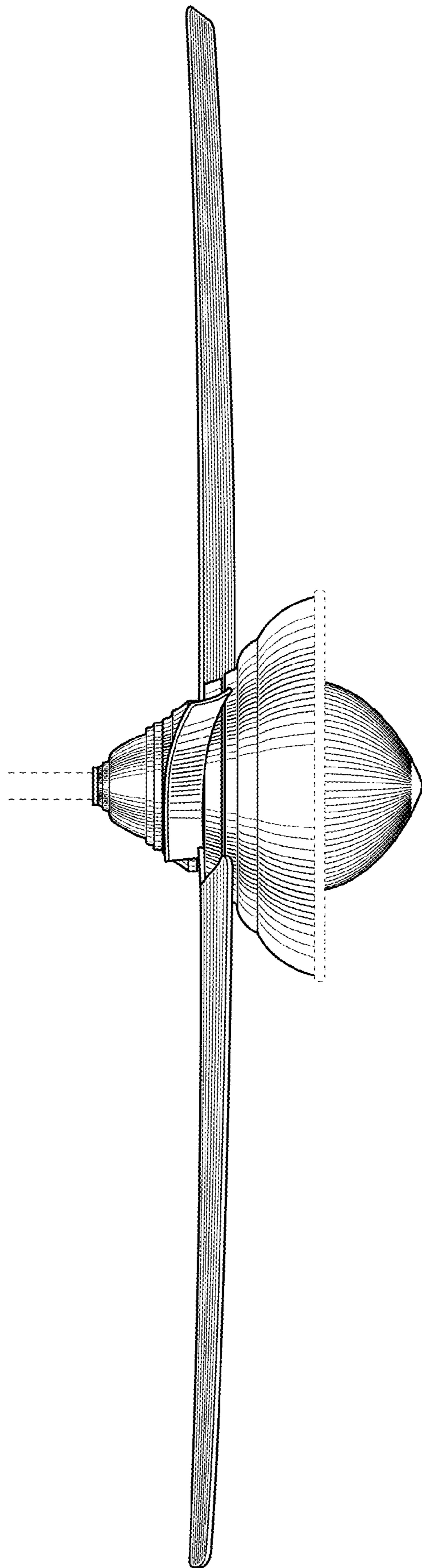
*Fig.3*



*Fig. 4*



*Fig. 5*



*Fig. 6*