



US00D879279S

(12) **United States Design Patent**
Huh

(10) **Patent No.:** **US D879,279 S**
(45) **Date of Patent:** **** Mar. 24, 2020**

(54) **AIR DEODORIZING APPARATUS**
(71) Applicant: **OTOS WING.CO., LTD.**, Seoul (KR)
(72) Inventor: **Moon Young Huh**, Seoul (KR)
(73) Assignee: **OTOS WING.CO., LTD**, Seoul (KR)
(**) Term: **15 Years**

(21) Appl. No.: **35/505,723**
(22) Filed: **Mar. 27, 2018**

(80) **Hague Agreement Data**
Int. Filing Date: **Mar. 27, 2018**
Int. Reg. No.: **DM/101107**
Int. Reg. Date: **Mar. 27, 2018**
Int. Reg. Pub. Date: **Sep. 28, 2018**

(51) **LOC (12) Cl.** **23-02**
(52) **U.S. Cl.**
USPC **D23/366**

(58) **Field of Classification Search**
USPC D23/355-369
CPC A61L 15/28; A61L 9/12; A61L 2209/15;
A61L 15/60; A61L 9/122; A61L 2209/12;
A61L 2209/133; A61L 2209/14; A61L
2209/212; A61L 2/202; A61L 9/012;
A61L 2202/14; A61L 2202/26; A61L
2209/111; A61L 2209/21; A61L 2/10;
A61L 2/24; A61L 9/01; A61L 9/014;
A61L 9/14; A61L 15/225; A61L 15/46;
A61L 2209/11; A61L 2209/13; A61L
2209/16; A61L 2300/606; A61L 9/015;
A61L 9/032; A61L 9/04; A61L 9/125;
A61L 9/127; A61L 9/20; A61L 9/205;
A61L 11/00; A61L 15/20; A61L 15/22;
A61L 15/26; A61L 15/42; A61L 15/44;
A61L 2202/123; A61L 2202/16; A61L
2202/25; A61L 2209/132; A61L
2209/134; A61L 2209/135; A61L
2300/20; A61L 2300/204; A61L
2300/216; A61L 2300/30; A61L

2300/404; A61L 2300/412; A61L 2/00;
A61L 2/14; A61L 2/20; A61L 2/22; A61L
9/00; A61L 9/02; A61L 9/03; A61L
9/035; A61L 9/042; A61L 9/046; A61L
9/16; A61L 9/22

See application file for complete search history.

(56) **References Cited**

U.S. PATENT DOCUMENTS

D806,219 S	*	12/2017	Gobber	D23/366
D806,220 S	*	12/2017	Gobber	D23/366
D816,201 S	*	4/2018	Goddard	D23/366
D828,532 S	*	9/2018	Angarita Duran	D23/366
D843,555 S	*	3/2019	Yeats	D23/366
D849,920 S	*	5/2019	Gobber	D23/366

* cited by examiner

Primary Examiner — Khawaja Anwar
(74) *Attorney, Agent, or Firm* — Novick, Kim & Lee,
PLLC; Sang Ho Lee; Hyun Woo Shin

(57) **CLAIM**

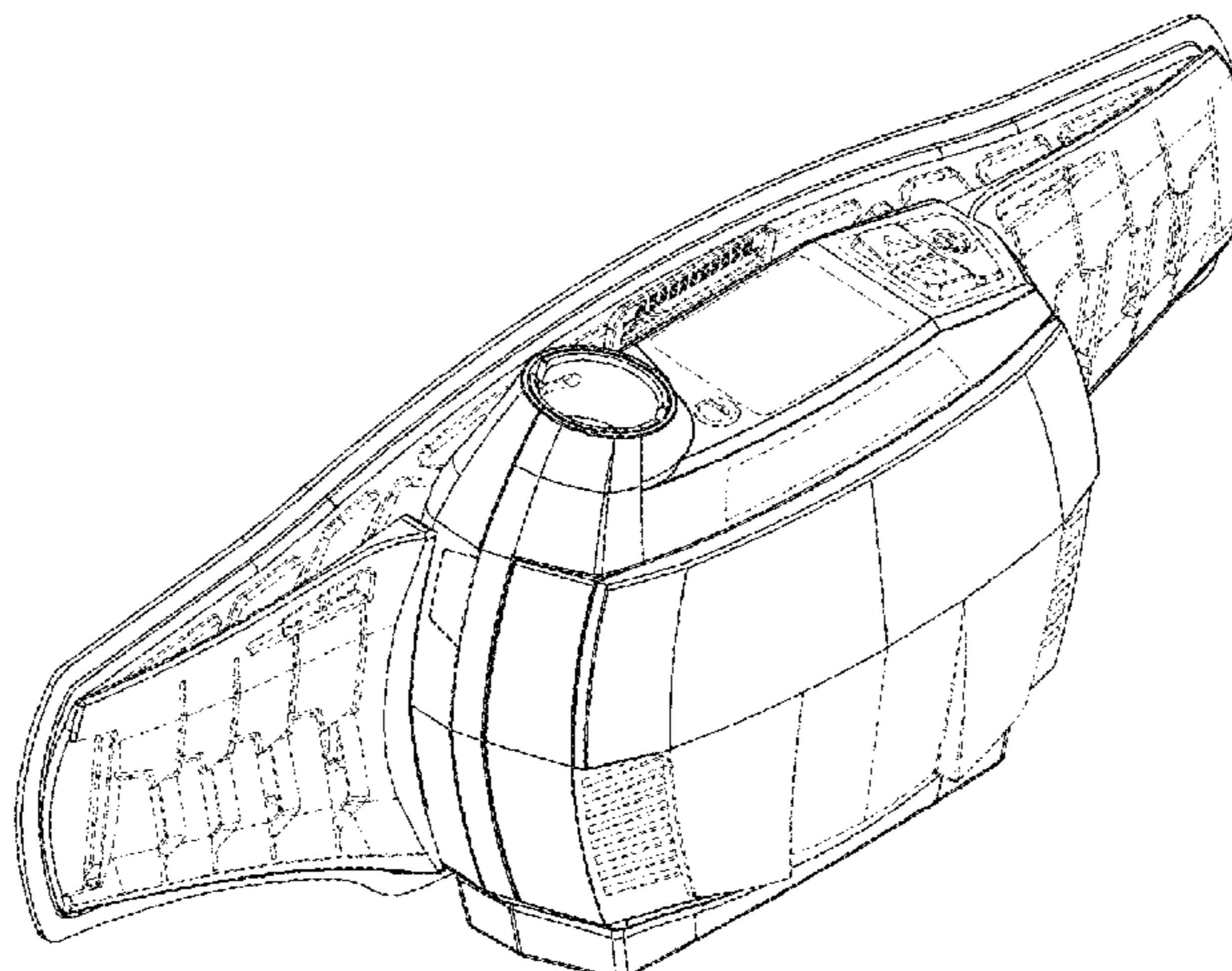
The ornamental design for air deodorizing apparatus, as shown and described.

DESCRIPTION

- 1. Air deodorizing apparatus
- FIG. 1.1 Perspective
- FIG. 1.2 Front
- FIG. 1.3 Back
- FIG. 1.4 Left
- FIG. 1.5 Right
- FIG. 1.6 Top; and
- FIG. 1.7 Bottom.

The broken lines in the drawings show portions of the air deodorizing apparatus which form no part of the claimed design. Surfaces of the air deodorizing apparatus which are shown fully enclosed by broken lines form no part of the claimed design. Surfaces of the air deodorizing apparatus

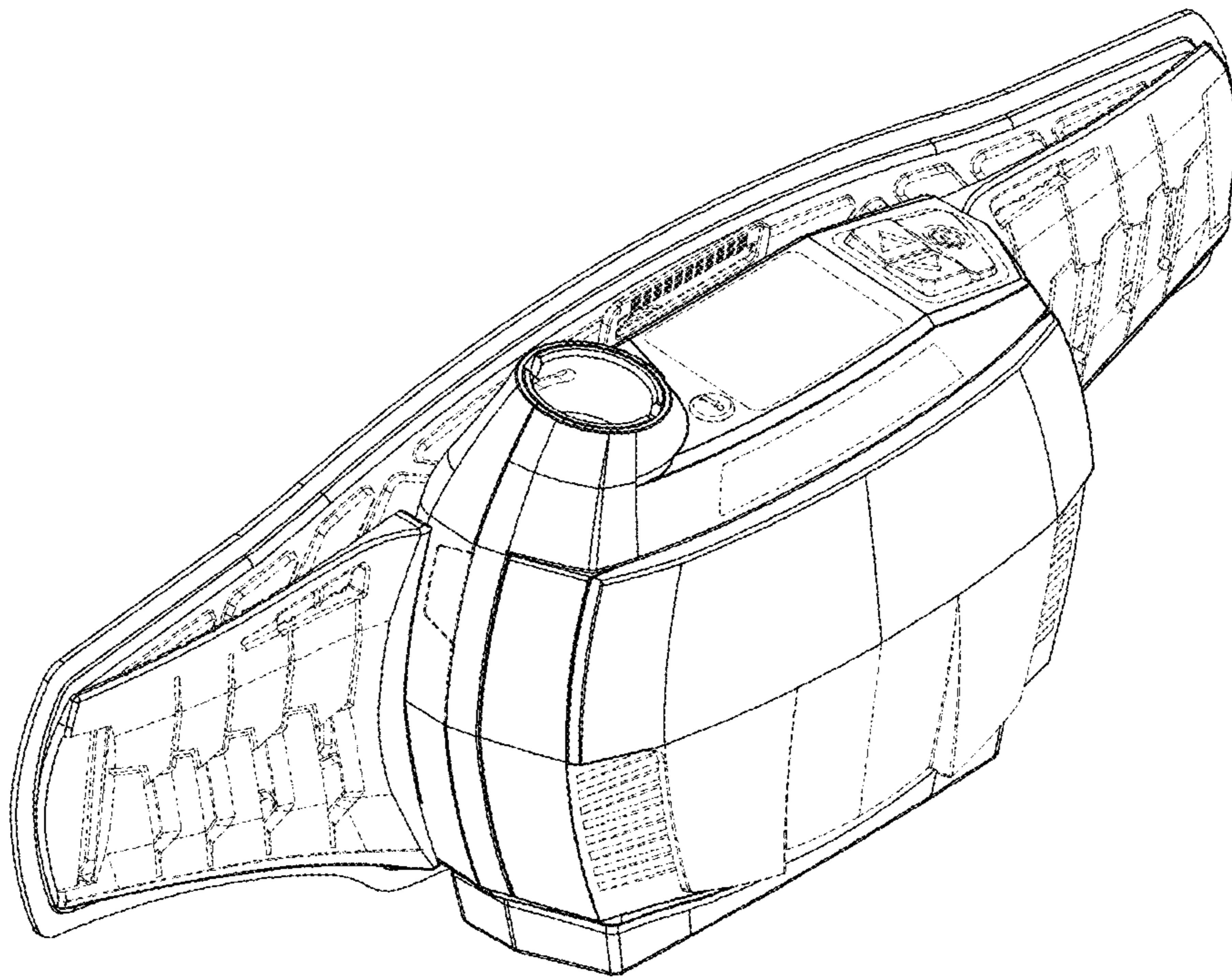
(Continued)



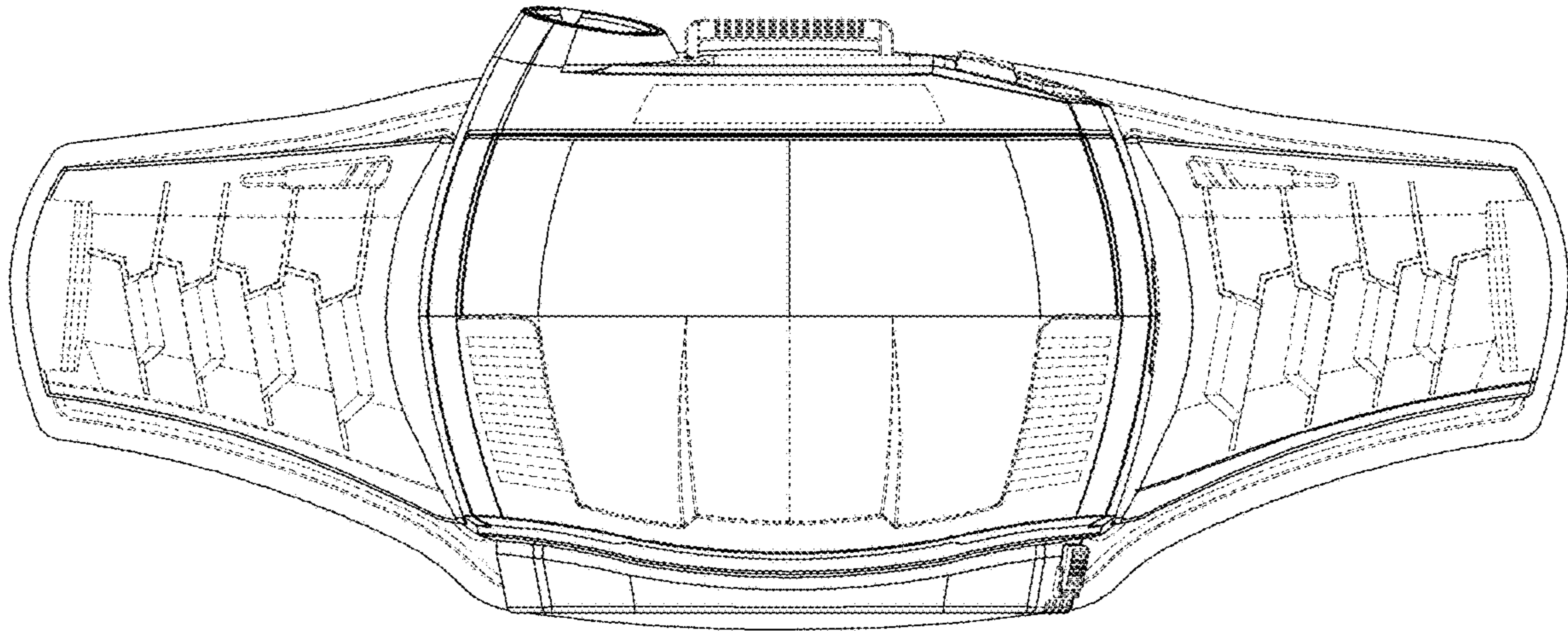
which are shown enclosed by both solid lines and broken lines form a part of the claimed design.

1 Claim, 4 Drawing Sheets

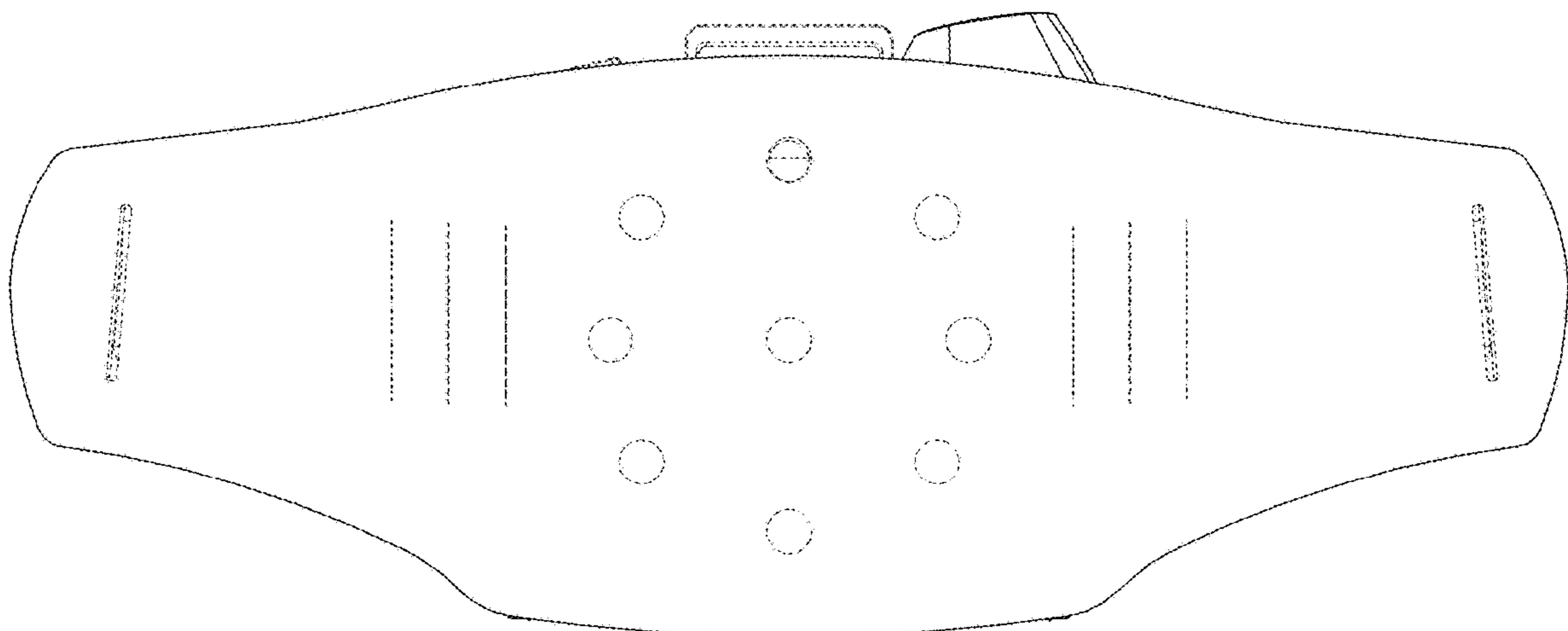
1.1



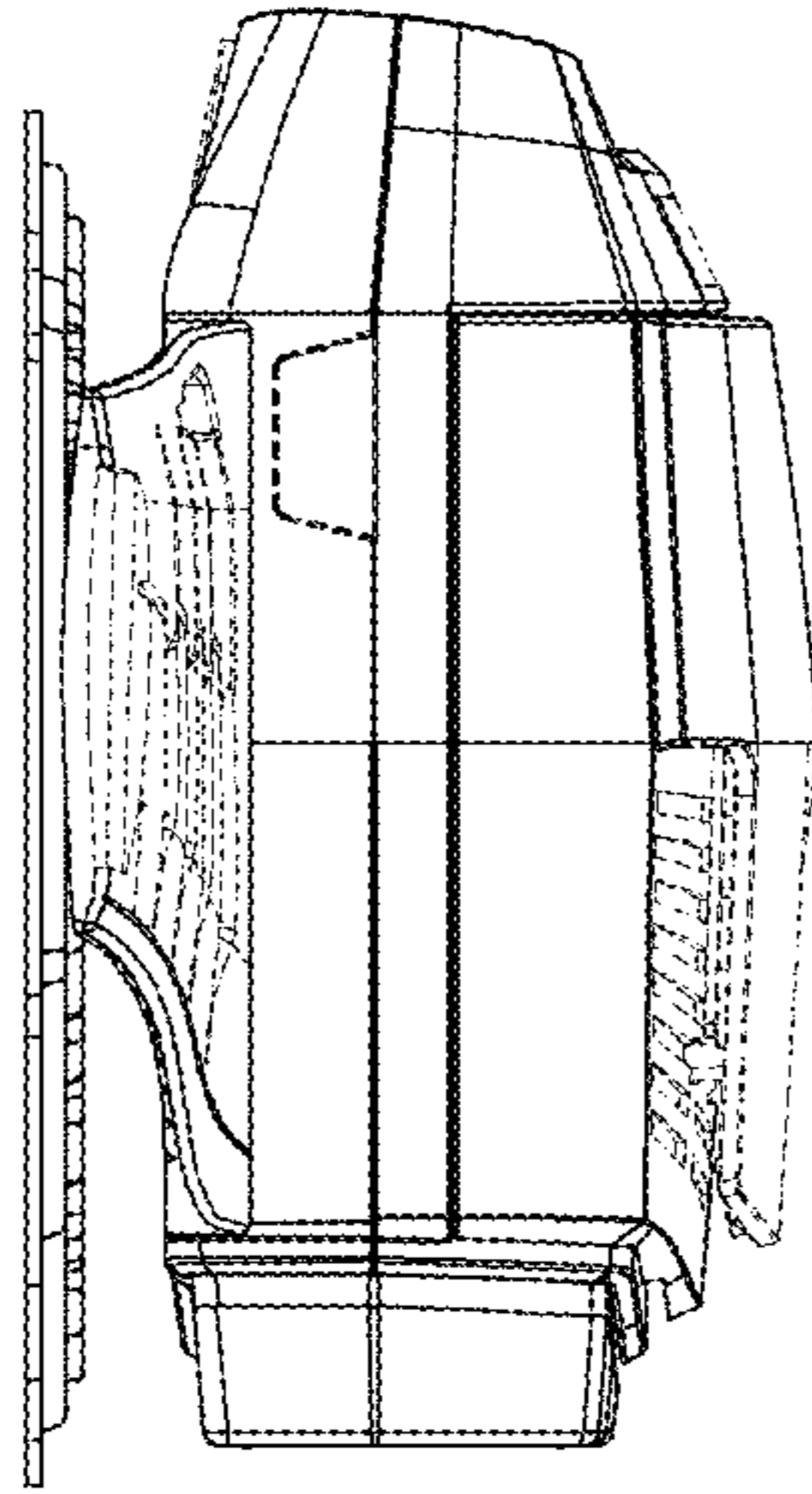
1.2



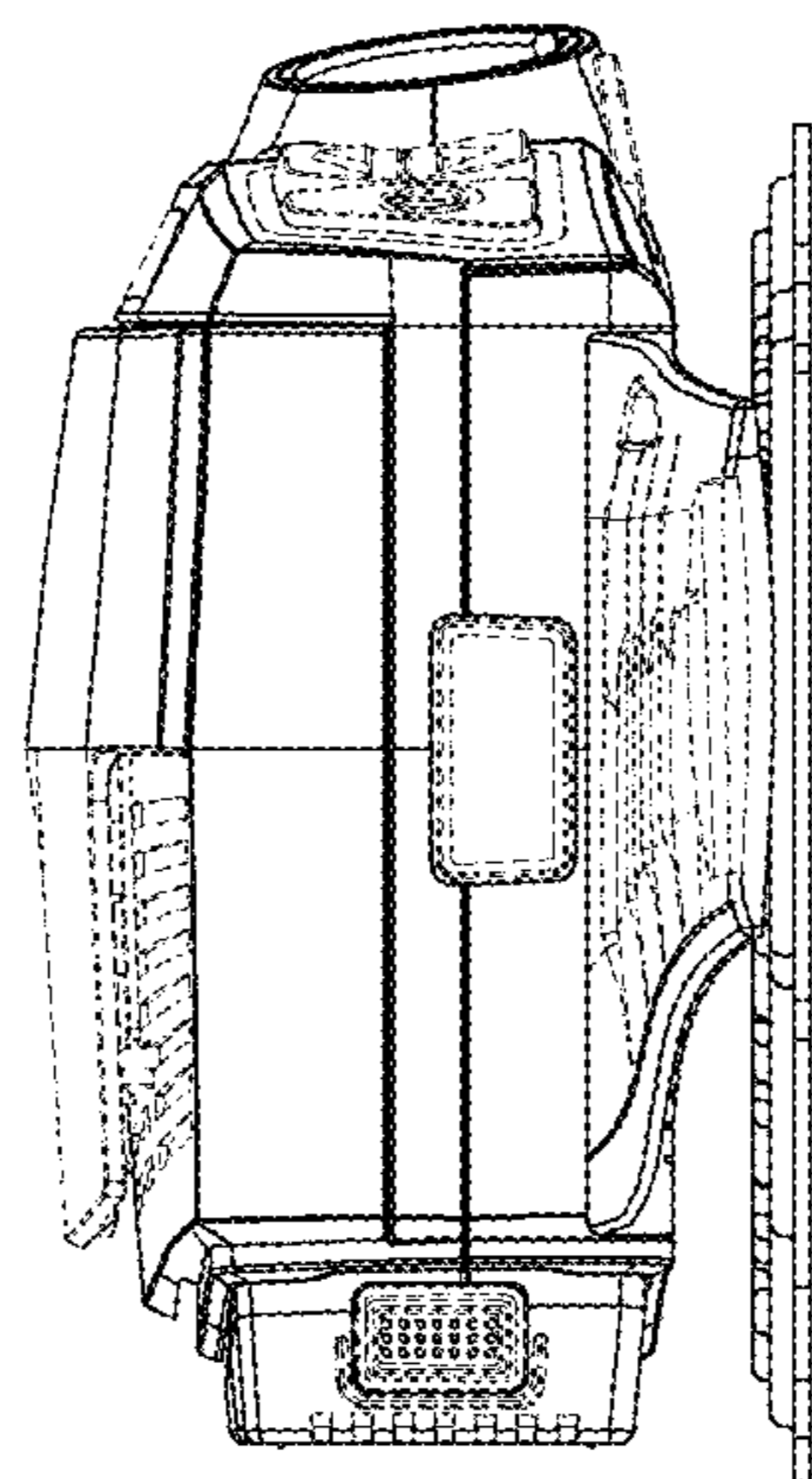
1.3



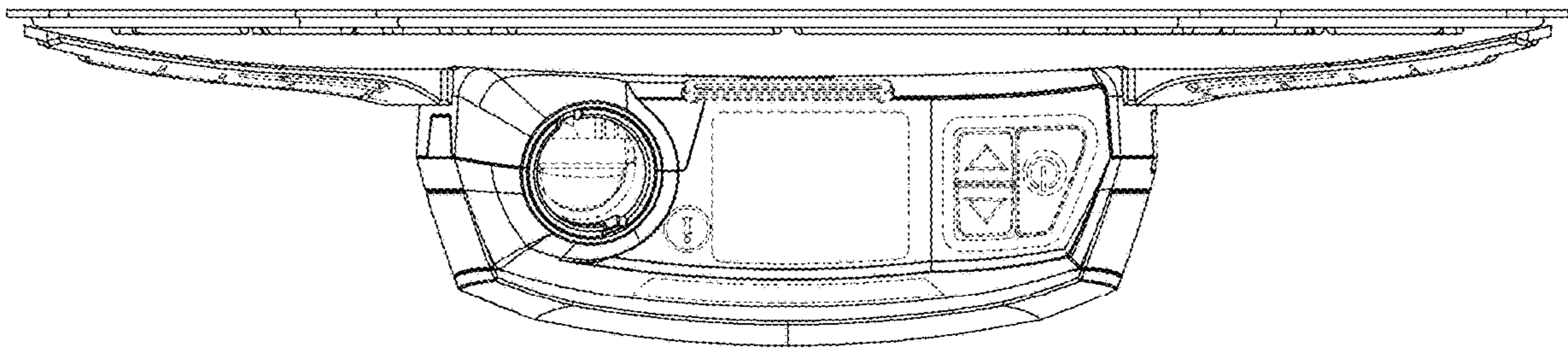
1.4



1.5



1.6



1.7

