



US00D879278S

(12) **United States Design Patent**
Scaba

(10) **Patent No.:** **US D879,278 S**
(45) **Date of Patent:** **** Mar. 24, 2020**

(54) **VENT MOUNT MAGNETIC AIR FRESHENER**

D820,964 S * 6/2018 Servaire D23/366
D823,847 S * 7/2018 Lebovitz D14/253
D825,549 S 8/2018 Lebovitz

(Continued)

(71) Applicant: **Argento SC By Sicura Inc.**, New York, NY (US)

(72) Inventor: **Steven Scaba**, New York, NY (US)

(73) Assignee: **Argento SC By Sicura Inc.**, New York, NY (US)

(**) Term: **15 Years**

(21) Appl. No.: **29/678,808**

(22) Filed: **Jan. 31, 2019**

(51) **LOC (12) Cl.** **23-04**

(52) **U.S. Cl.**
USPC **D23/366**

(58) **Field of Classification Search**
USPC D23/201, 208, 355-369, 386; D13/144;
D12/415; D8/349, 373
CPC A61L 9/02; A61L 9/03; A61L 9/12; A61L
9/035; A61L 9/125
See application file for complete search history.

(56) **References Cited**

U.S. PATENT DOCUMENTS

7,780,094 B2	8/2010	Caserta et al.	
D690,707 S *	10/2013	Minn	B60R 11/0241 D14/447
D750,633 S *	3/2016	Minn	D14/447
D778,714 S *	2/2017	McSweyn	A61L 9/122 D12/415
D782,462 S *	3/2017	Huang	B60H 3/0028 D14/253
D783,592 S *	4/2017	Ju	H04B 1/3877 D14/253
D802,404 S	11/2017	Turksu et al.	
D820,823 S	6/2018	Ahn	

OTHER PUBLICATIONS

Shopee.com.my, Magnetic car mount holder car air freshener for cell phones and mini tablets my, undated online product page, retrieved Nov. 18, 2019 from <URL:https://shopee.com.my/Magnetic-Car-Mount-Holder-Car-Air-Freshener-For-Cell-Phones-And-Mini-Tablets-my-i.60303422.2367509884> (Year: 2019).*

Primary Examiner — Sheryl Lane

Assistant Examiner — Calvin E Vansant

(74) *Attorney, Agent, or Firm* — Amster, Rothstein & Ebenstein LLP

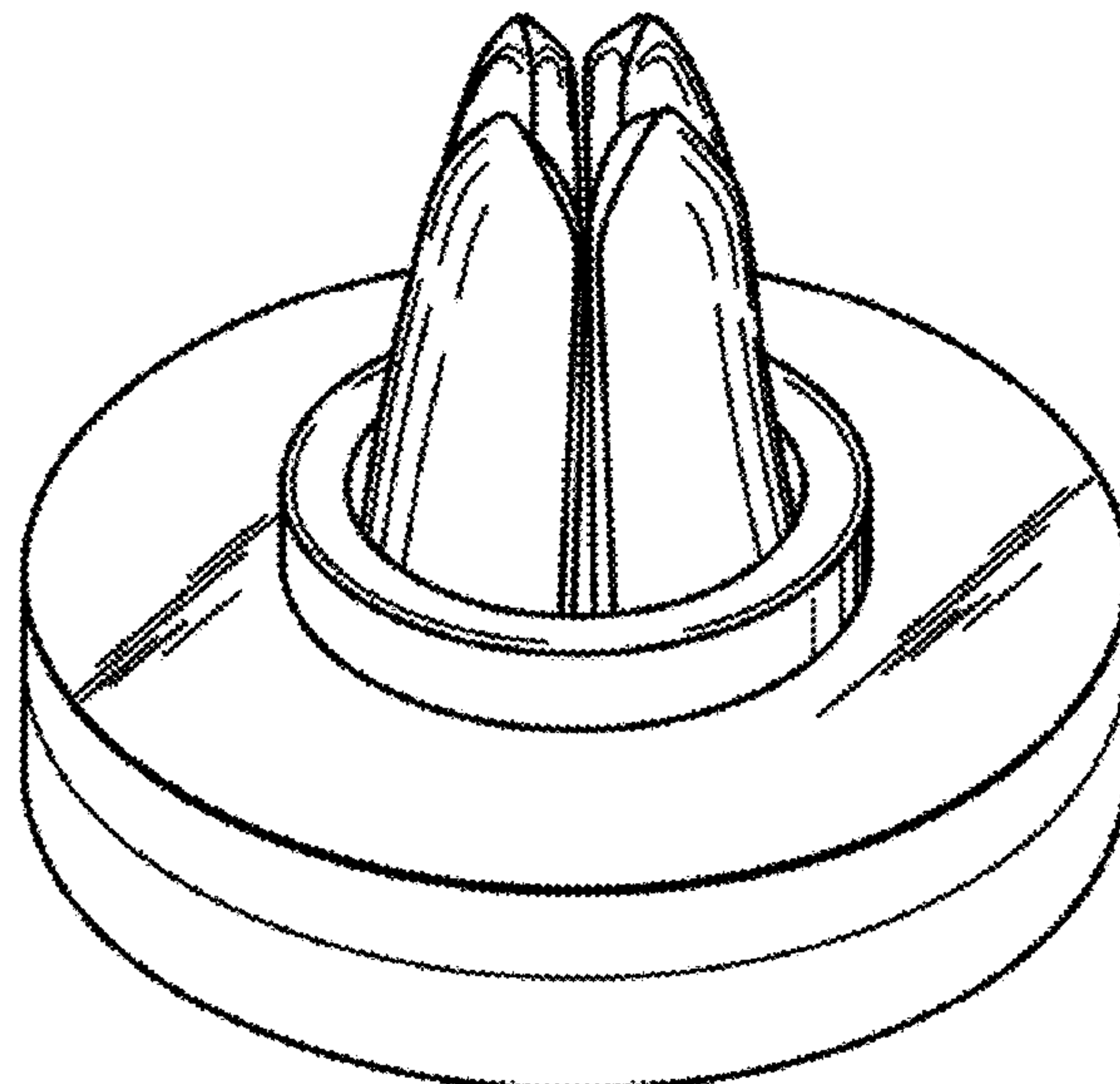
(57) **CLAIM**

The ornamental design for a vent mount magnetic air freshener, as shown and described.

DESCRIPTION

FIG. 1 is a front perspective view of an assembled vent mount magnetic air freshener;
FIG. 2 is a front view thereof, the rear, left, and right views each being a mirror image of the front;
FIG. 3 is a top view thereof;
FIG. 4 is a bottom view thereof;
FIG. 5 is a front perspective view of the vent mount portion thereof;
FIG. 6 is a front view of the vent mount portion thereof, the rear, left, and right views each being a mirror image of the front;
FIG. 7 is a bottom view of the vent mount portion thereof;
FIG. 8 is a top view of the air freshener portion thereof; and,
FIG. 9 is front view of the air freshener portion thereof, the rear, left, and right views each being a mirror image of the front.
The broken lines in FIG. 3 illustrate environment only and do not form part of the claimed design.

1 Claim, 4 Drawing Sheets



(56)

References Cited

U.S. PATENT DOCUMENTS

D850,597 S * 6/2019 Gobber D23/368
D850,600 S * 6/2019 Gobber D23/368
D852,150 S * 6/2019 Turksu B60R 11/0241
D13/183
2016/0052370 A1* 2/2016 Esses B60H 3/0028
2017/0170858 A1* 6/2017 Tiller H04B 1/3877
2017/0232128 A1* 8/2017 Esses A61L 9/122
422/4
2017/0318697 A1 11/2017 Lebovitz

* cited by examiner

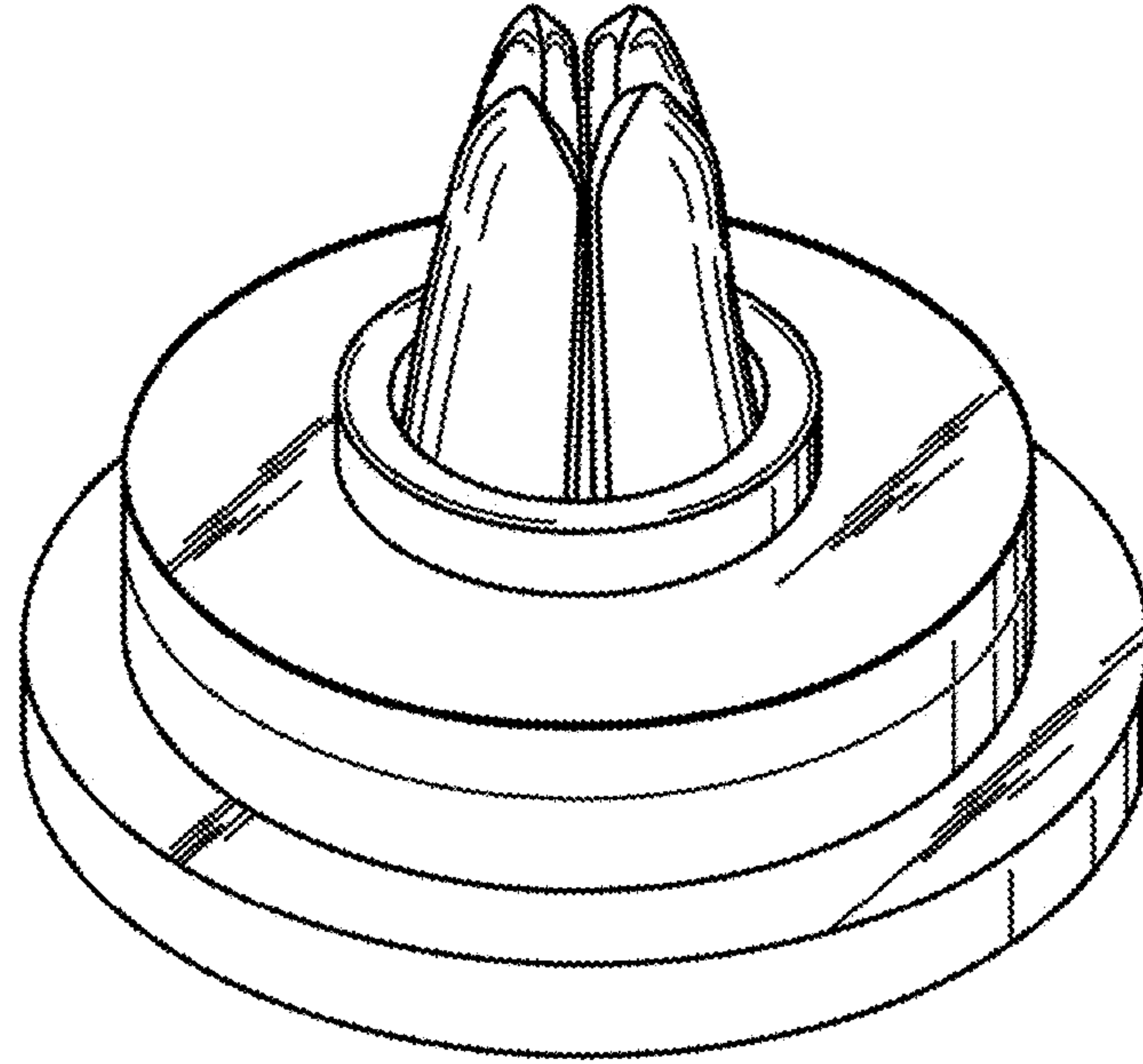


FIG. 1

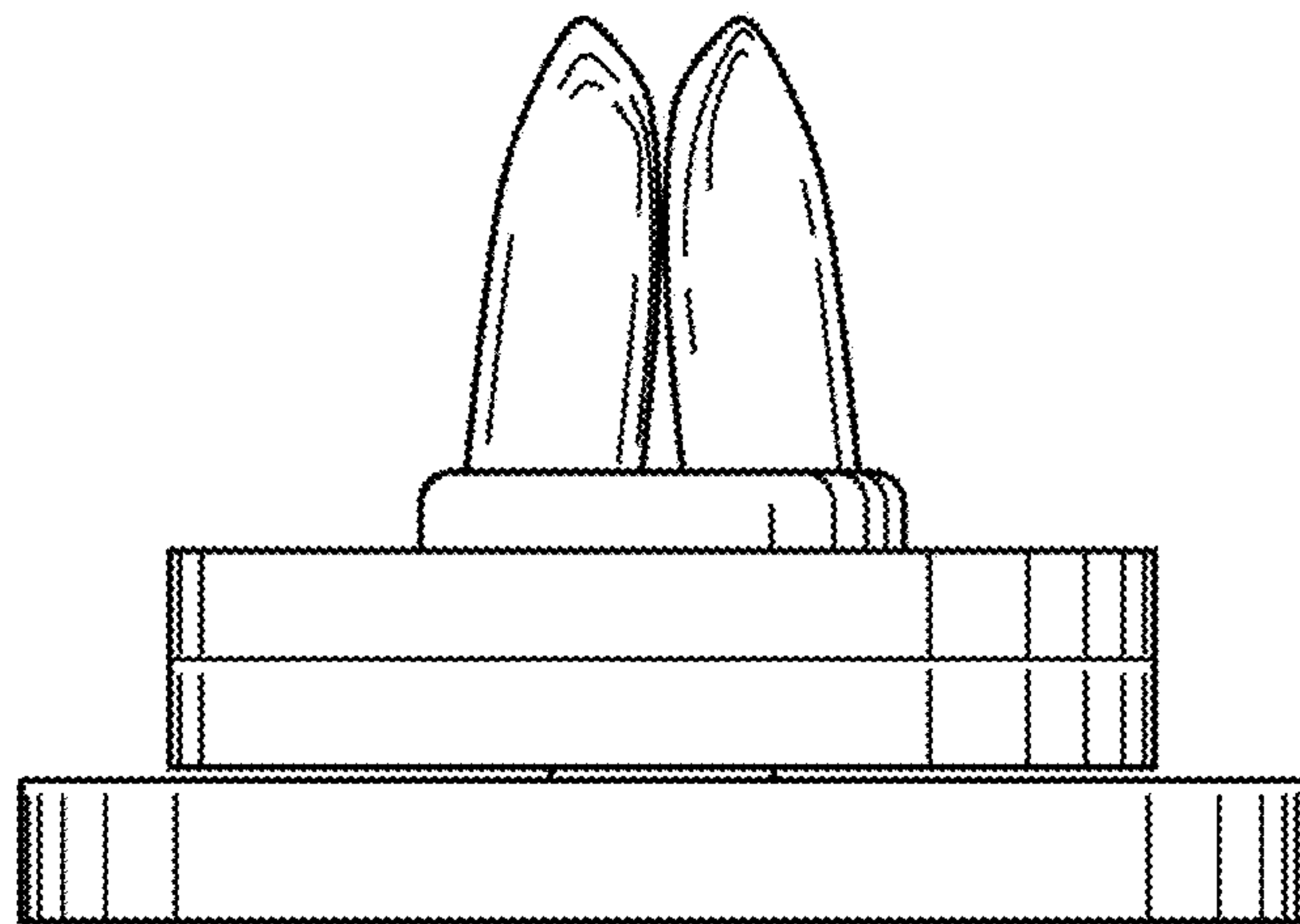


FIG. 2

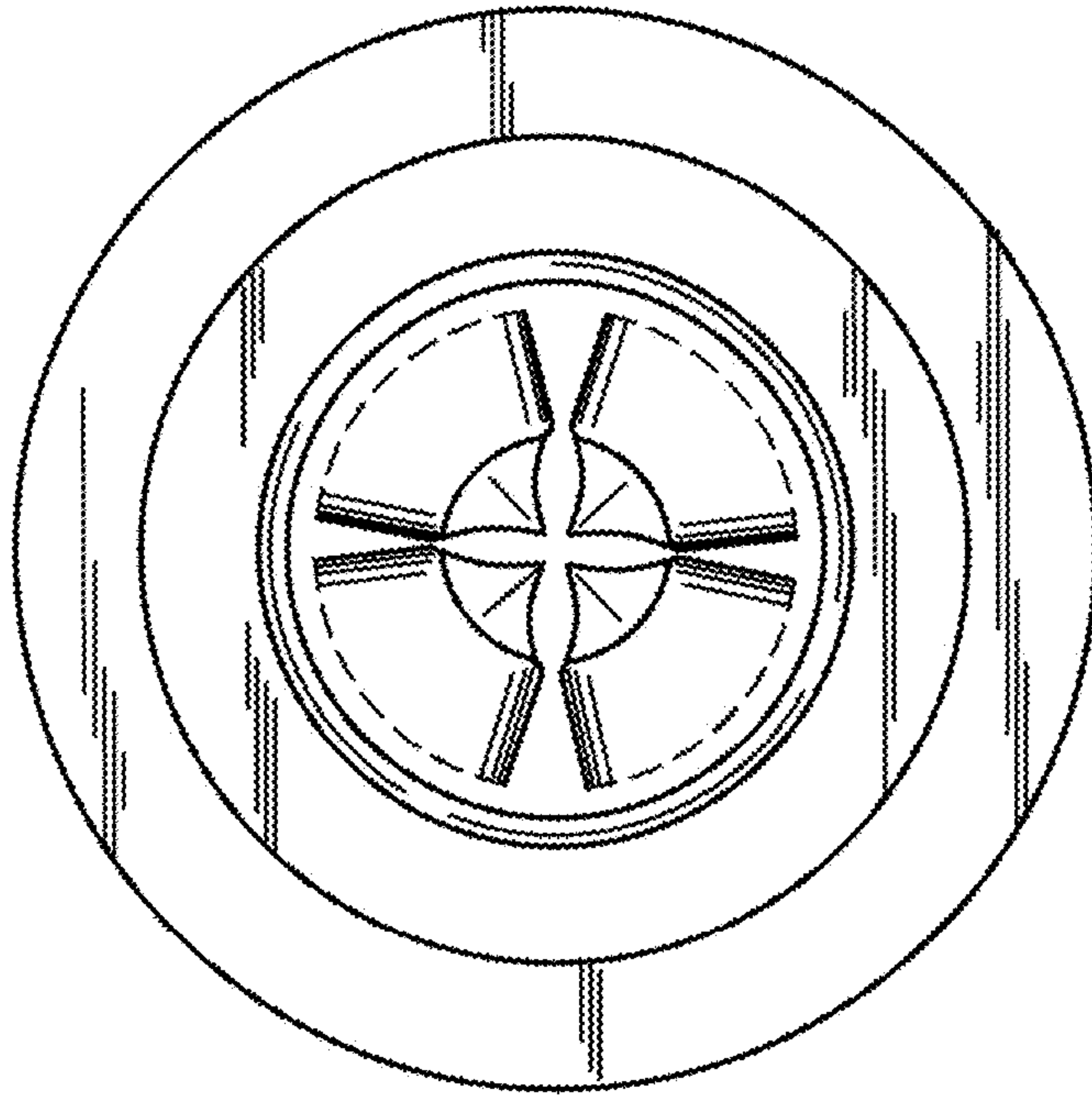


FIG. 3

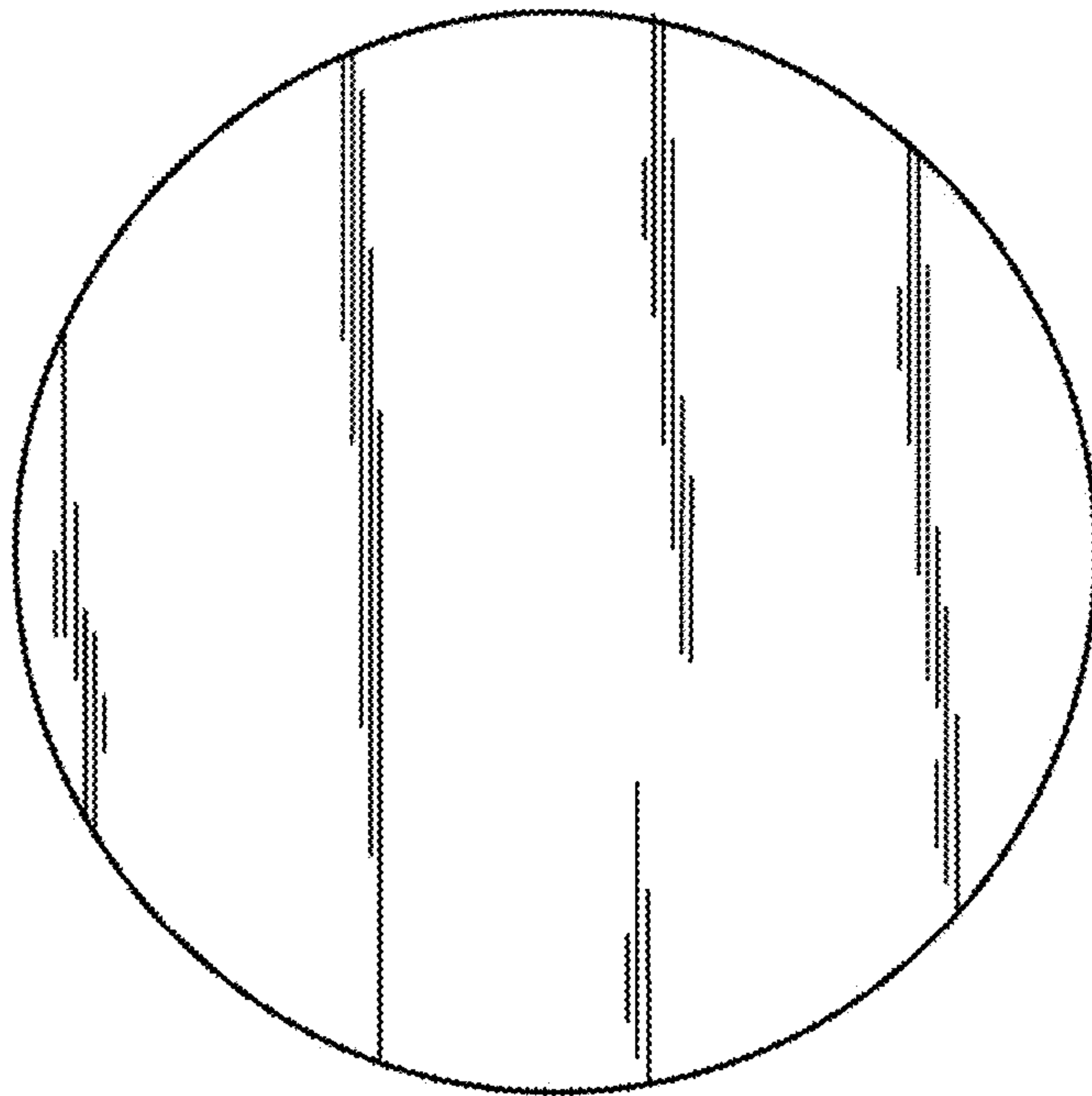


FIG. 4

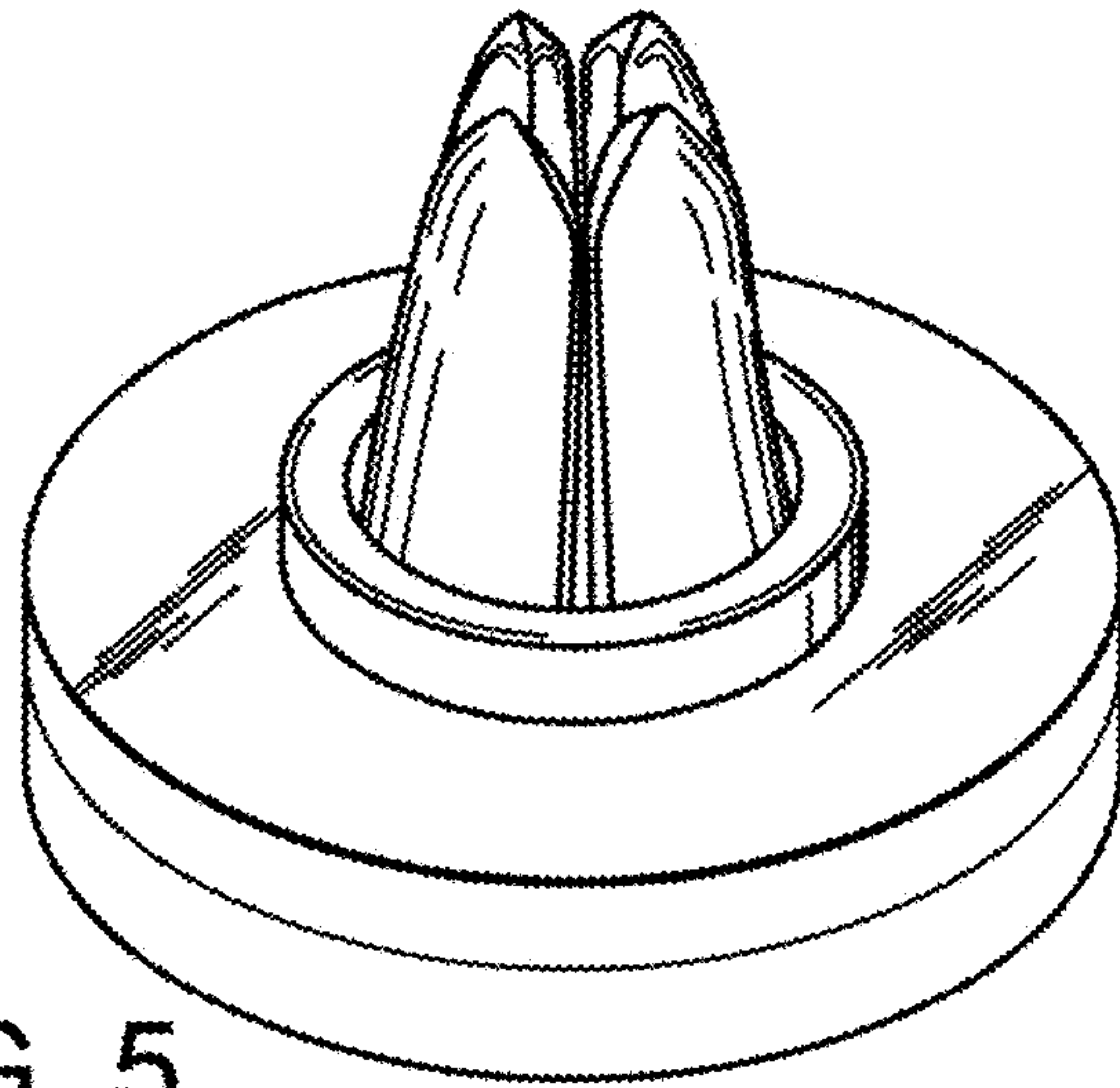


FIG. 5

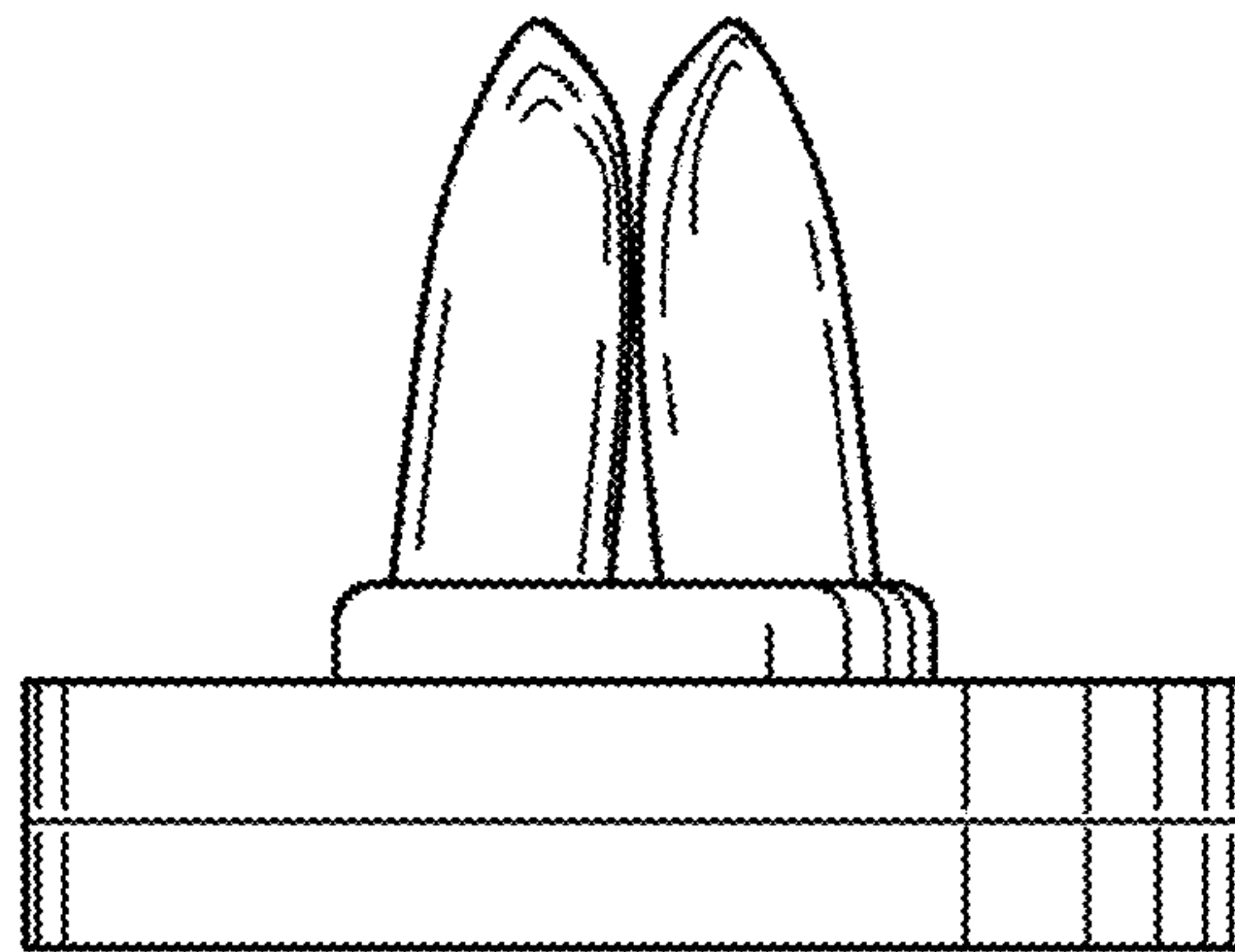


FIG. 6

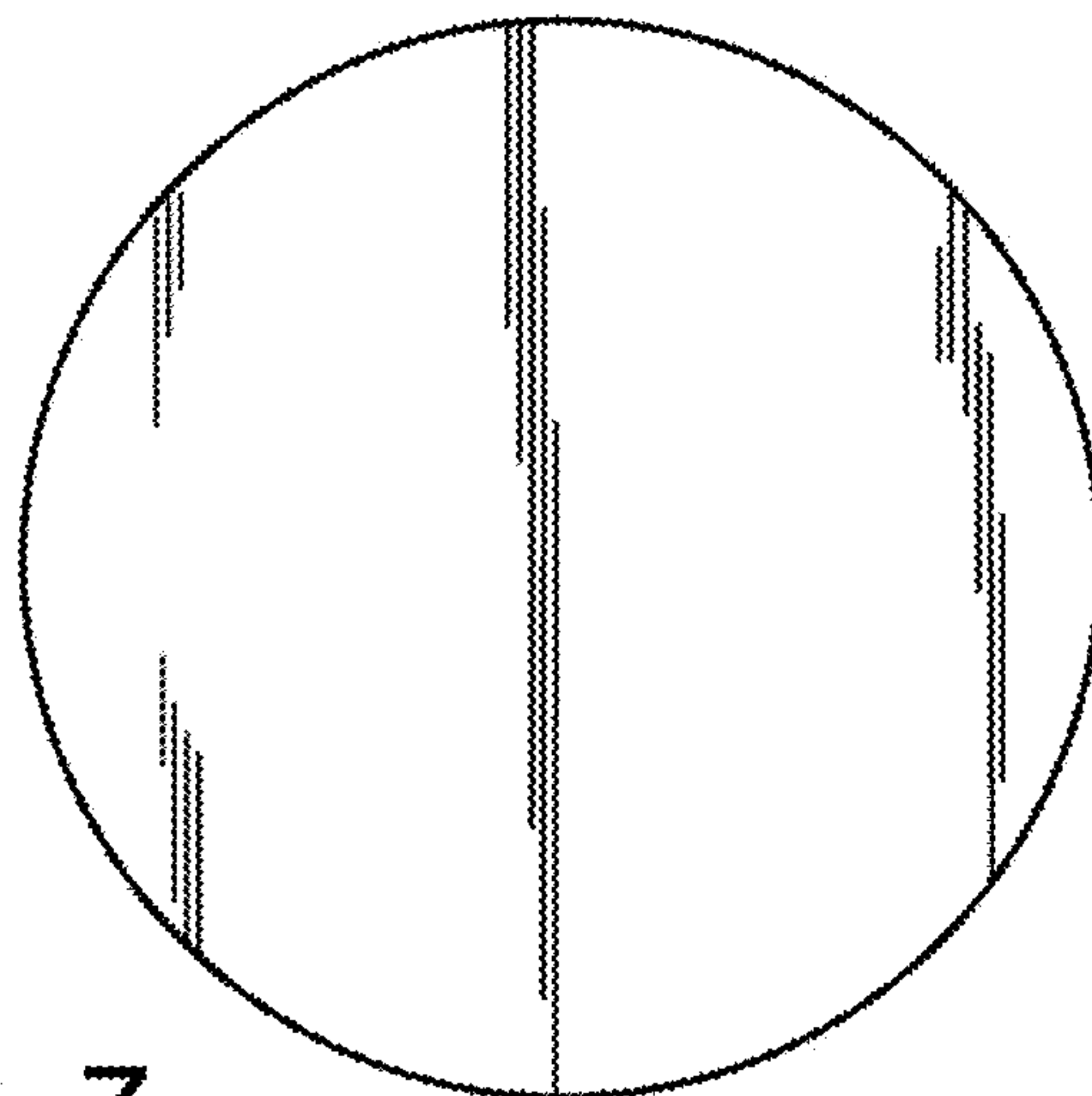


FIG. 7

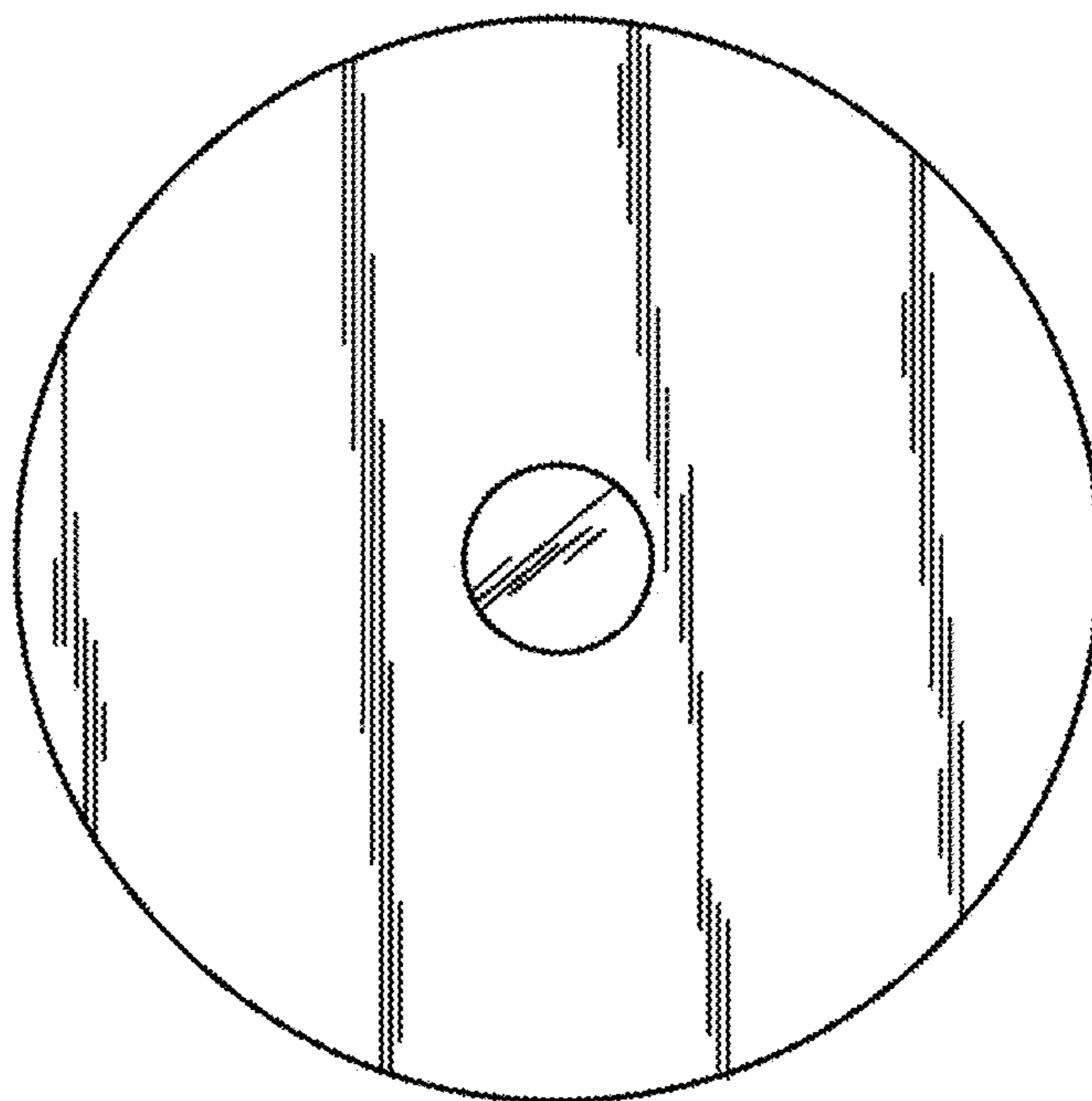


FIG. 8



FIG. 9