



US00D879277S

(12) **United States Design Patent** (10) **Patent No.:** **US D879,277 S**
Sanders et al. (45) **Date of Patent:** **** Mar. 24, 2020**

(54) **AIR TREATMENT DEVICE**

(71) Applicant: **Reckitt & Colman (Overseas) Limited**, Slough, Berkshire (GB)

(72) Inventors: **David Sanders**, Warwick (GB); **Robin Spicer**, Daventry (GB)

(73) Assignee: **Reckitt & Colman (Overseas) Hygiene Home Limited**, Slough, Berkshire (GB)

(**) Term: **15 Years**

(21) Appl. No.: **29/655,115**

(22) Filed: **Jun. 29, 2018**

(30) **Foreign Application Priority Data**

Jan. 18, 2018 (EP) 004670859-0001

(51) **LOC (12) Cl.** **23-04**

(52) **U.S. Cl.**
USPC **D23/366**

(58) **Field of Classification Search**

USPC D23/208, 355–369; D14/209.1, 212–213; D8/1, 391

CPC A61L 9/02; A61L 9/03; A61L 9/12; A61L 9/035; A61L 9/125; A61L 2209/15; A61L 2209/16

See application file for complete search history.

(56) **References Cited**

U.S. PATENT DOCUMENTS

D464,416 S * 10/2002 von Dohlen D23/366
D507,636 S * 7/2005 Baraky D23/366

D544,592 S * 6/2007 Caserta D23/366
D647,608 S * 10/2011 Young D23/366
D686,718 S * 7/2013 Gordon D23/366
D776,247 S * 1/2017 King D23/366
D776,800 S * 1/2017 King D23/366
D834,693 S * 11/2018 Robinson D23/366
D846,725 S * 4/2019 Mecker D23/366
2018/0296719 A1 * 10/2018 Lane A61L 9/122

* cited by examiner

Primary Examiner — Sheryl Lane

Assistant Examiner — Calvin E Vansant

(74) *Attorney, Agent, or Firm* — Norris McLaughlin, PA

(57) **CLAIM**

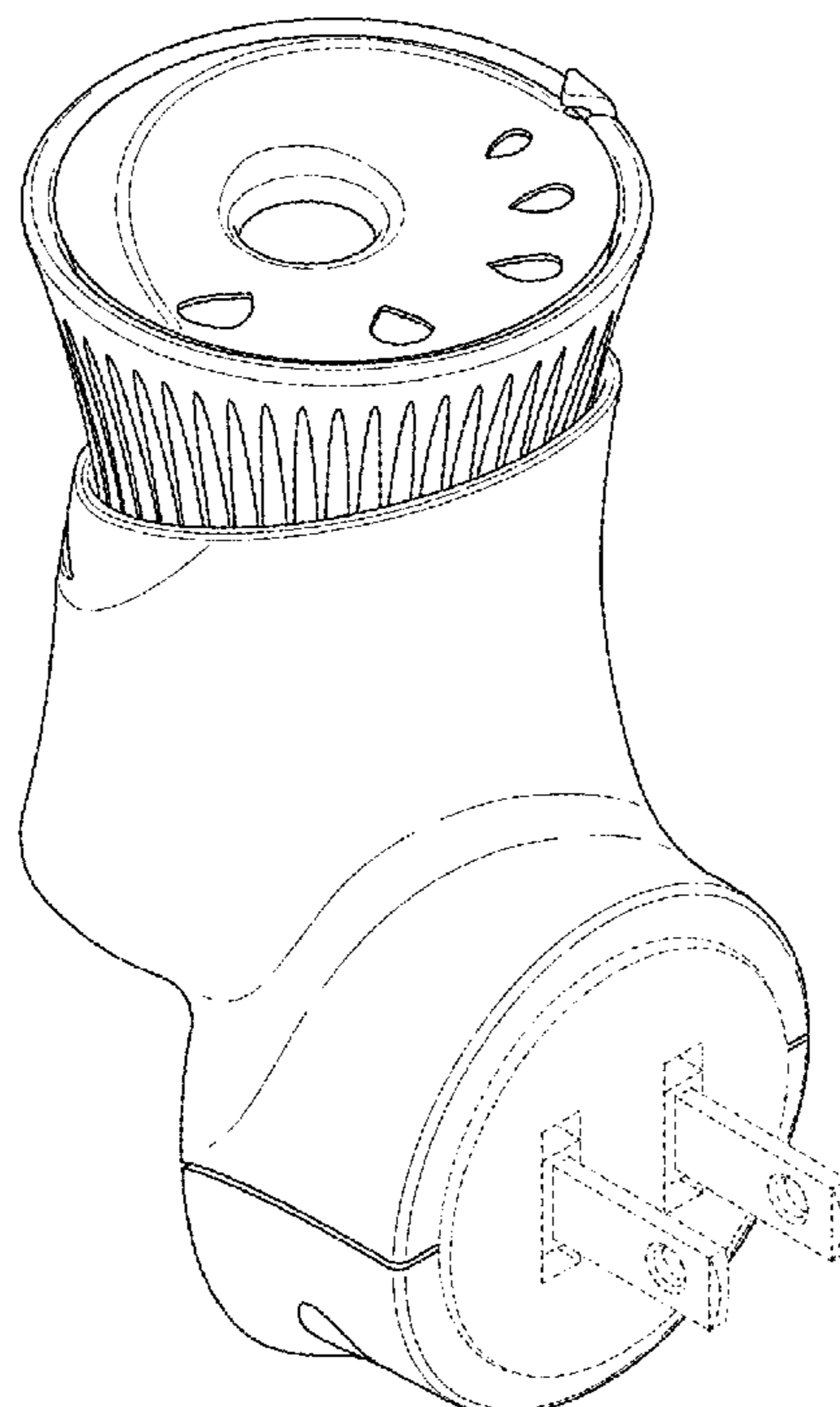
The ornamental design for an air treatment device, as shown and described.

DESCRIPTION

FIG. 1 is a front perspective view of the air treatment device;
FIG. 2 is a front side elevational view thereof;
FIG. 3 is a back side elevation view thereof;
FIG. 4 is a left side elevational view thereof;
FIG. 5 is a right side elevational view thereof;
FIG. 6 is a top plan view thereof; and,
FIG. 7 is a bottom plan view thereof.

The broken lines depict portions of the air treatment device that form no part of the claimed design.

1 Claim, 5 Drawing Sheets



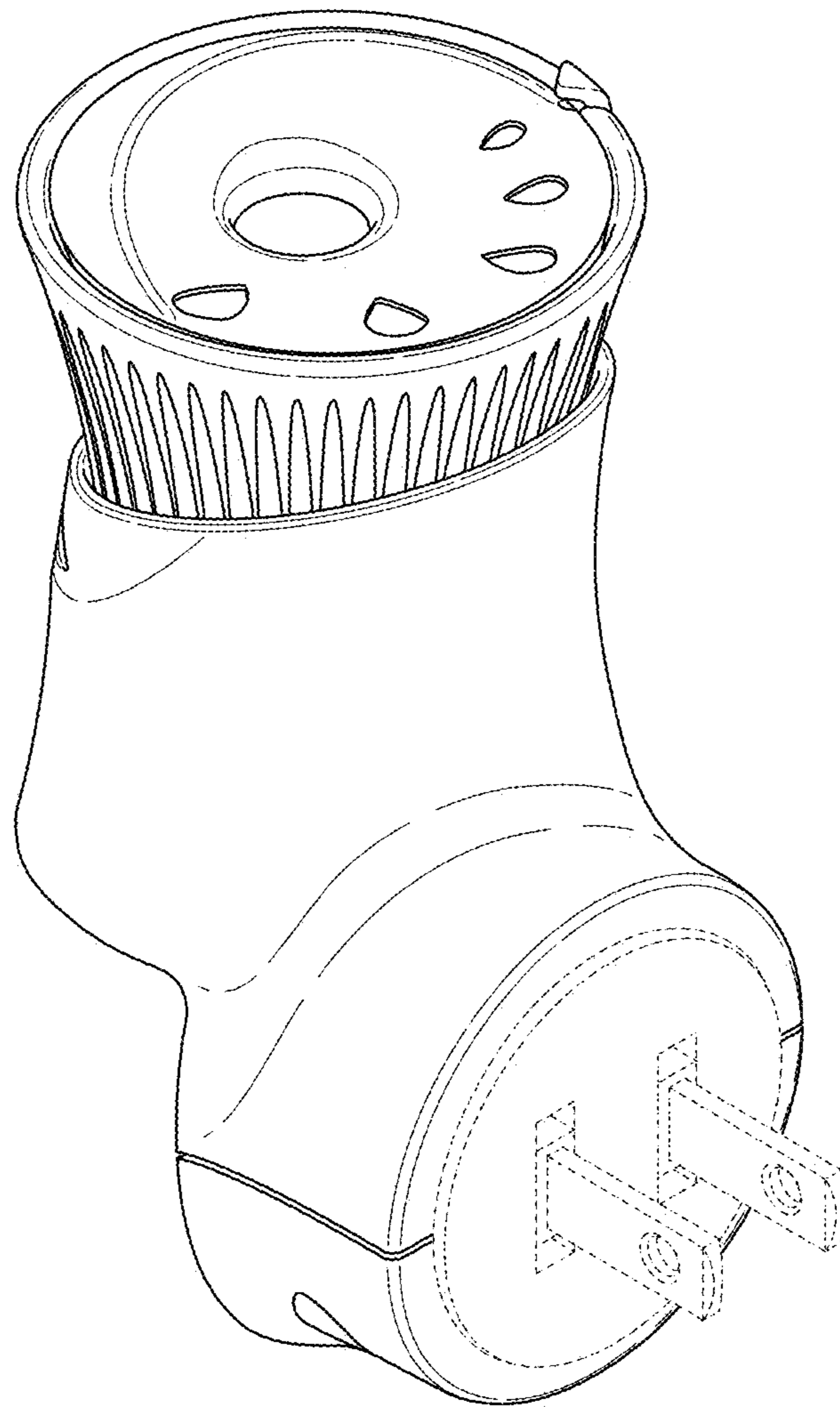


Fig. 1

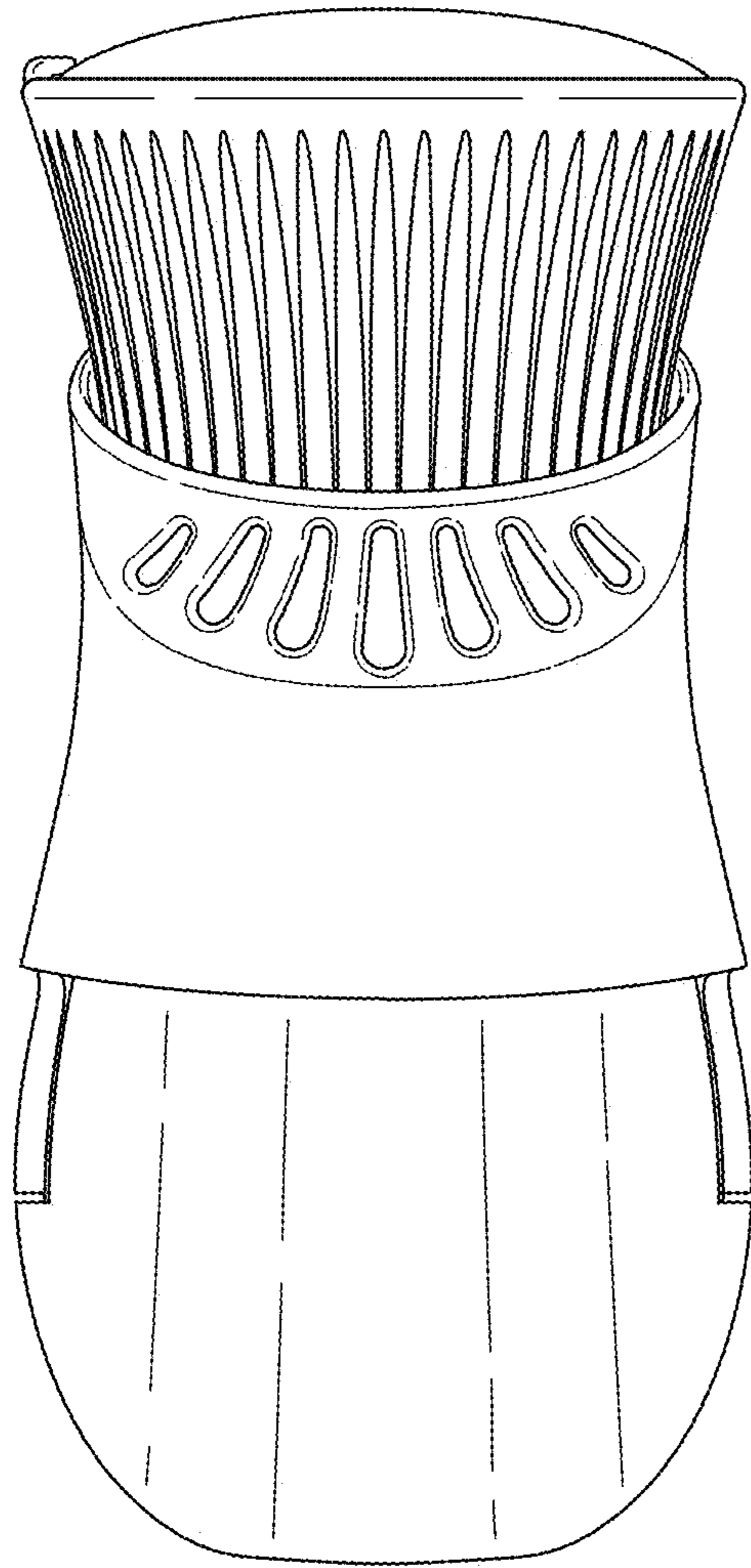


Fig. 2

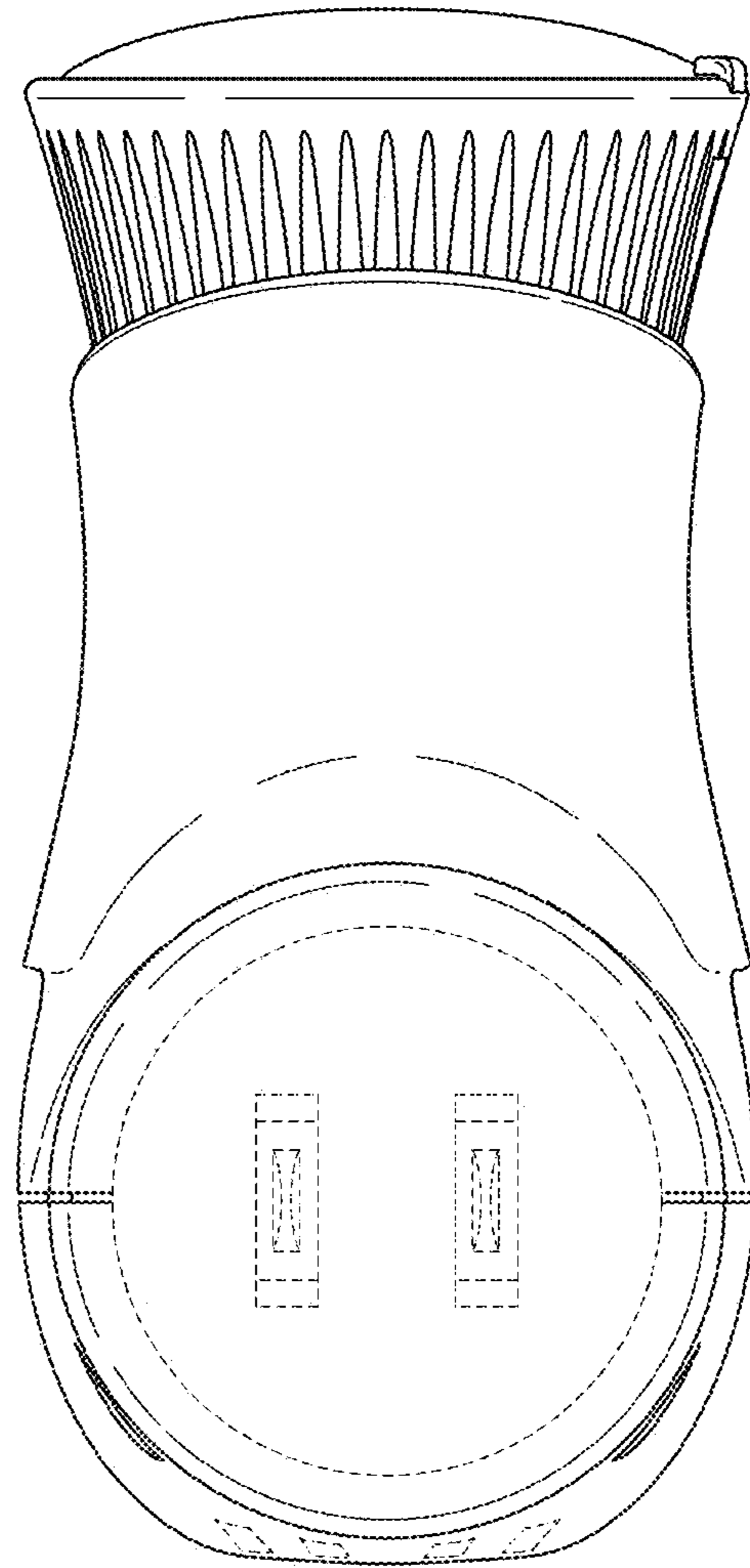


Fig. 3

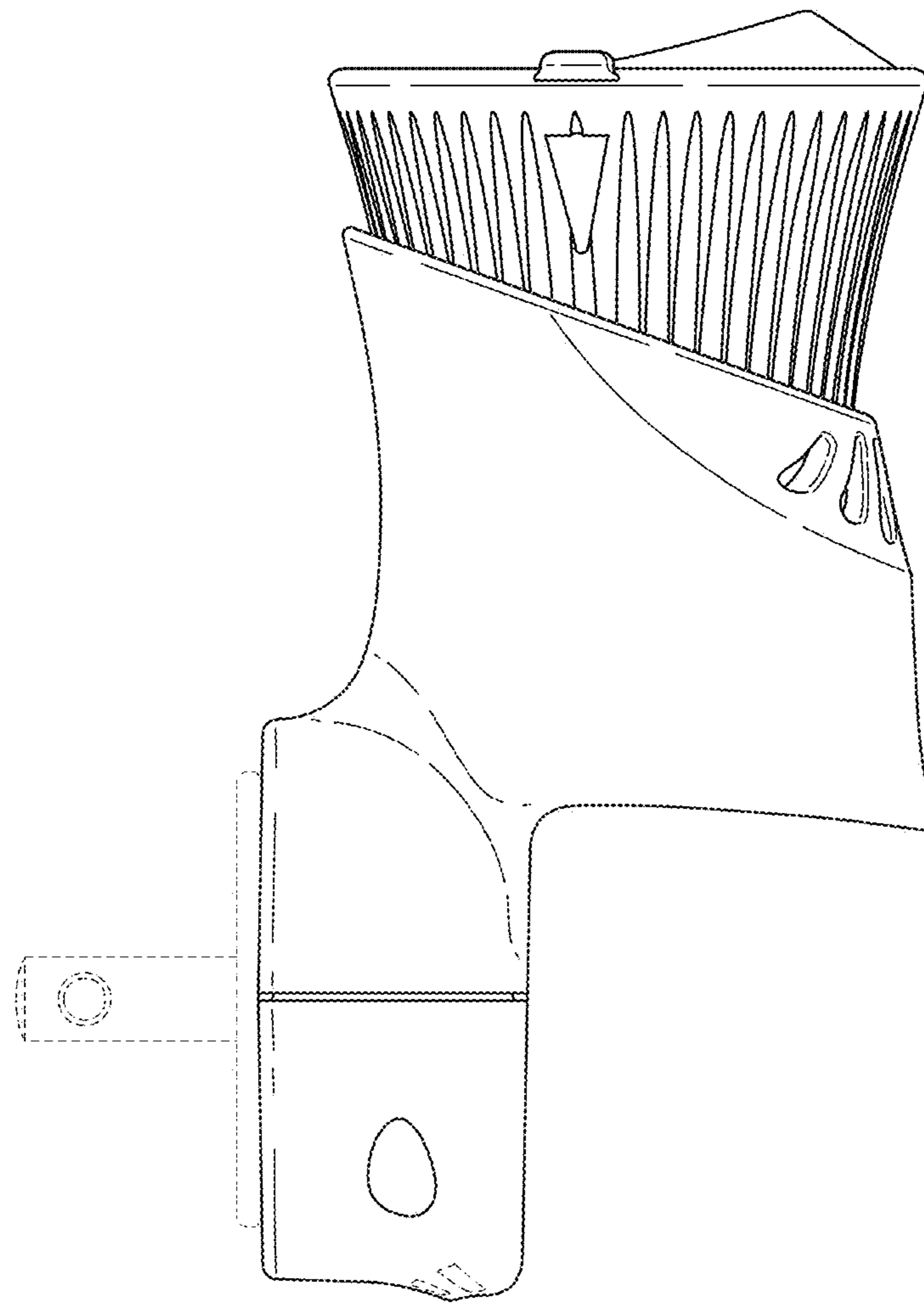


Fig. 4

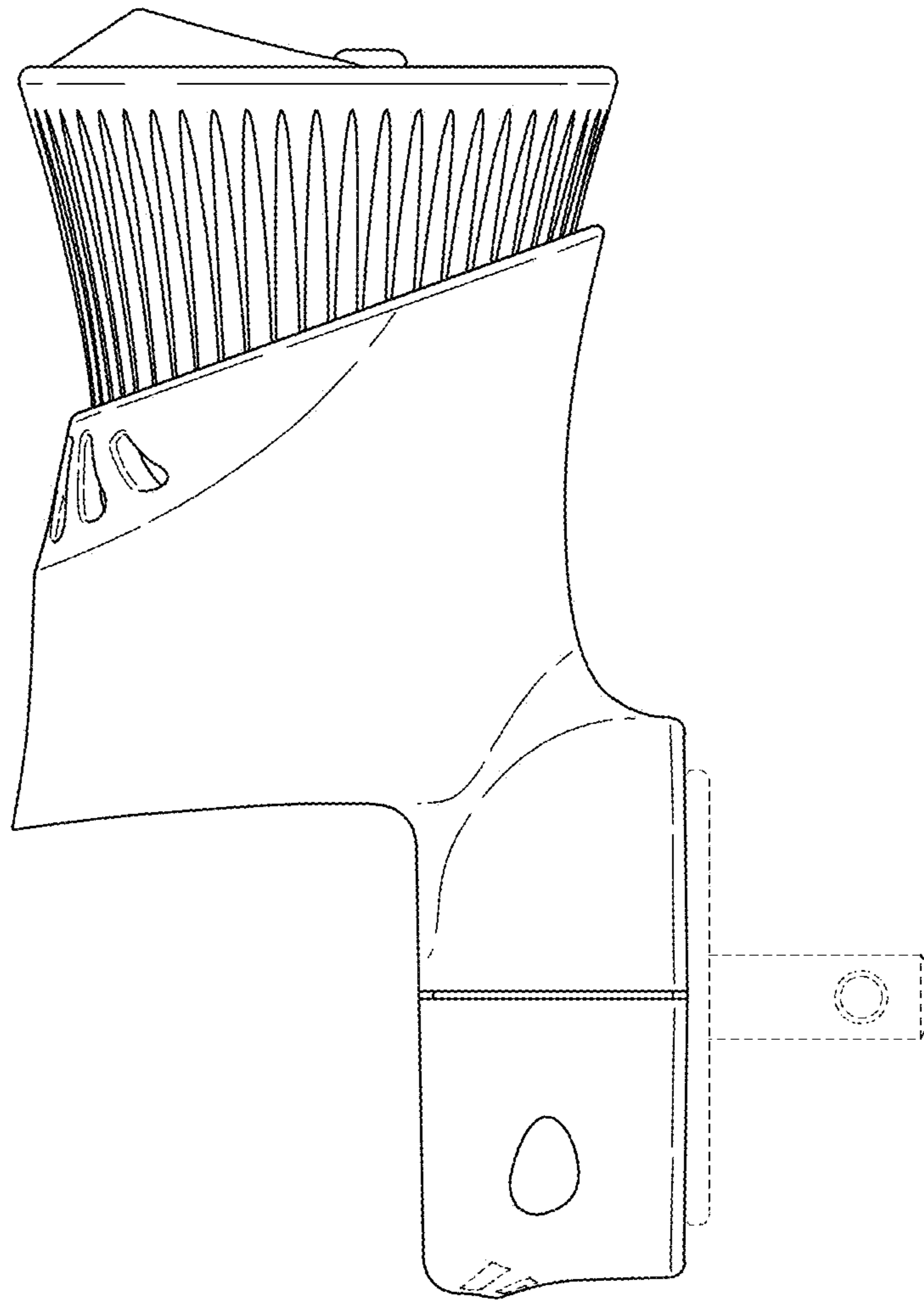


Fig. 5

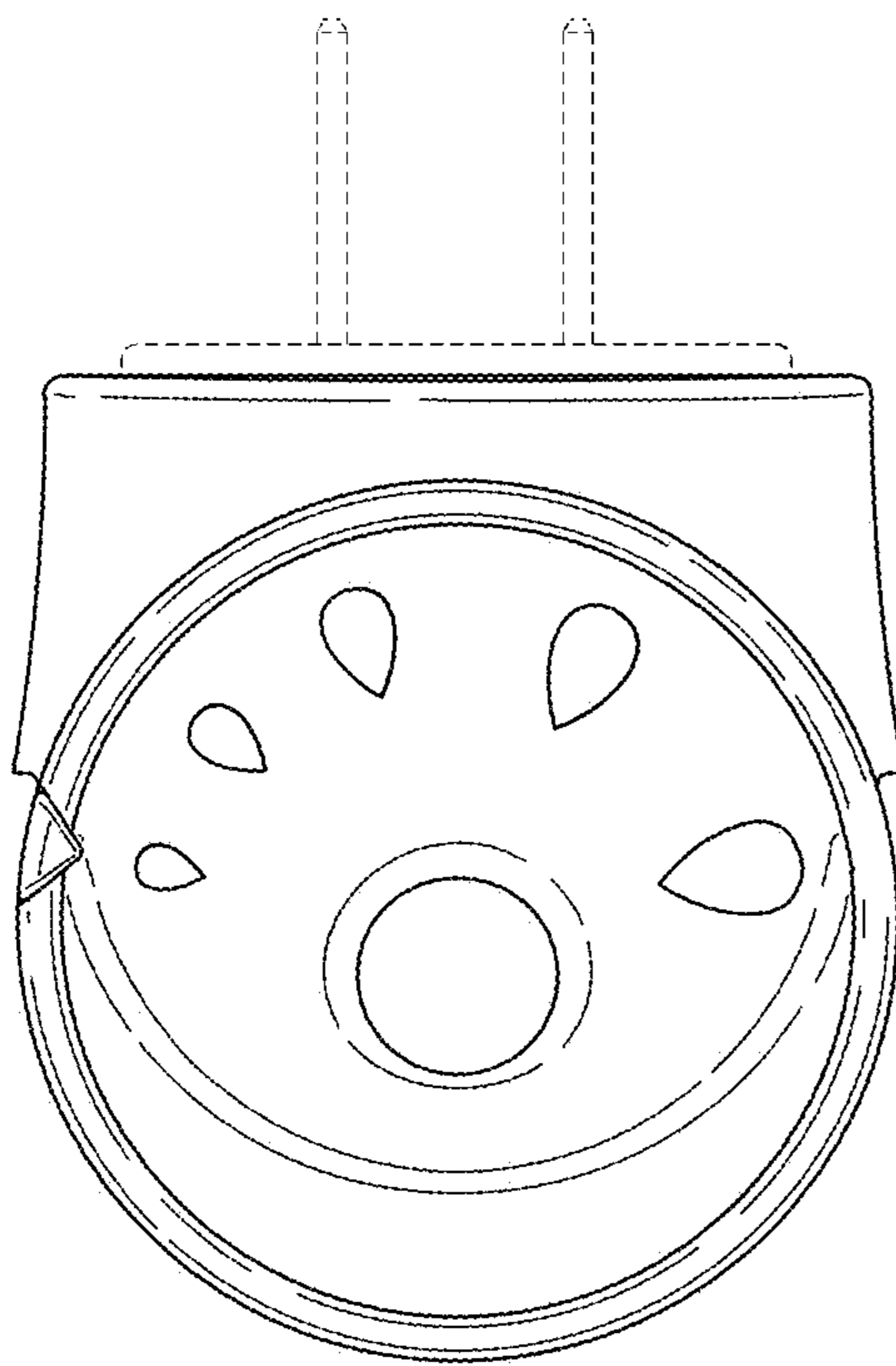


Fig. 6

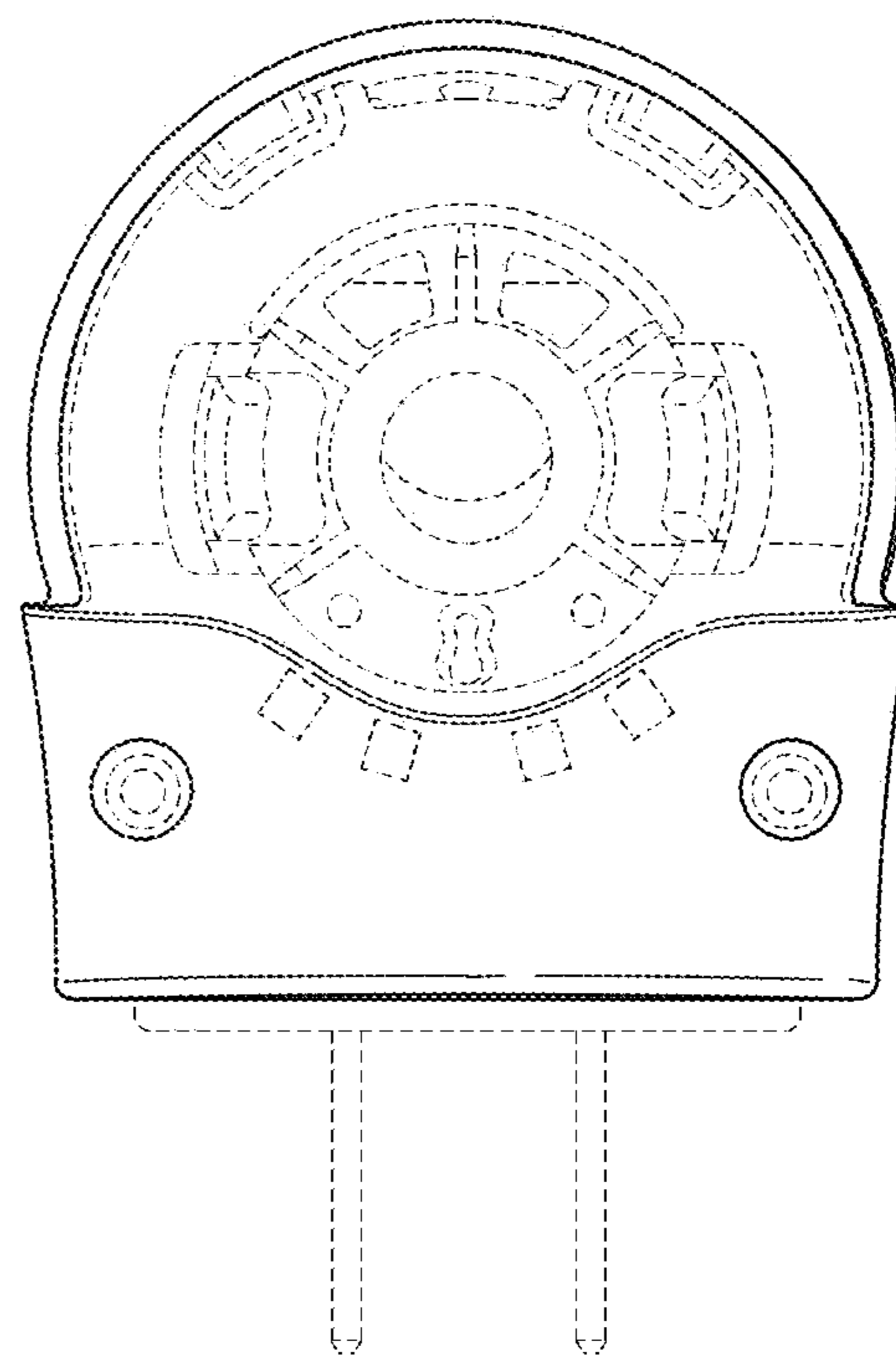


Fig. 7