



US00D879270S

(12) **United States Design Patent**
Shono et al.

(10) **Patent No.:** **US D879,270 S**
(45) **Date of Patent:** **** Mar. 24, 2020**

(54) **WATER HEATER**

- (71) Applicant: **NORITZ CORPORATION**, Hyogo (JP)
- (72) Inventors: **Ryoichi Shono**, Akashi (JP); **Toshihiro Ishino**, Kobe (JP)
- (73) Assignee: **NORITZ CORPORATION**, Hyogo (JP)
- (**) Term: **15 Years**

(21) Appl. No.: **29/672,437**

(22) Filed: **Dec. 5, 2018**

Related U.S. Application Data

(62) Division of application No. 29/582,824, filed on Oct. 31, 2016, now Pat. No. Des. 855,162.

(51) **LOC (12) Cl.** **23-03**

(52) **U.S. Cl.**
USPC **D23/318**

(58) **Field of Classification Search**
USPC D23/313, 317, 318, 319, 320, 321, 332,
D23/333, 334, 335, 341, 351, 354, 418,
(Continued)

(56) **References Cited**

U.S. PATENT DOCUMENTS

- D81,225 S 5/1930 Boattenhamer
 - D251,386 S 3/1979 Leonard
- (Continued)

FOREIGN PATENT DOCUMENTS

- CA 171298 S 8/2017
 - CA 174783 S 8/2017
- (Continued)

OTHER PUBLICATIONS

Noritz website, EZ111, Publication date unknown, [site visited Dec. 3, 2019], Available on the Internet URL <https://www.noritz.com/product/nrcb199/> (Year: 2019).*

(Continued)

Primary Examiner — Karen S Acker

Assistant Examiner — Steven B Reinholdt, Jr.

(74) *Attorney, Agent, or Firm* — Studebaker & Brackett PC

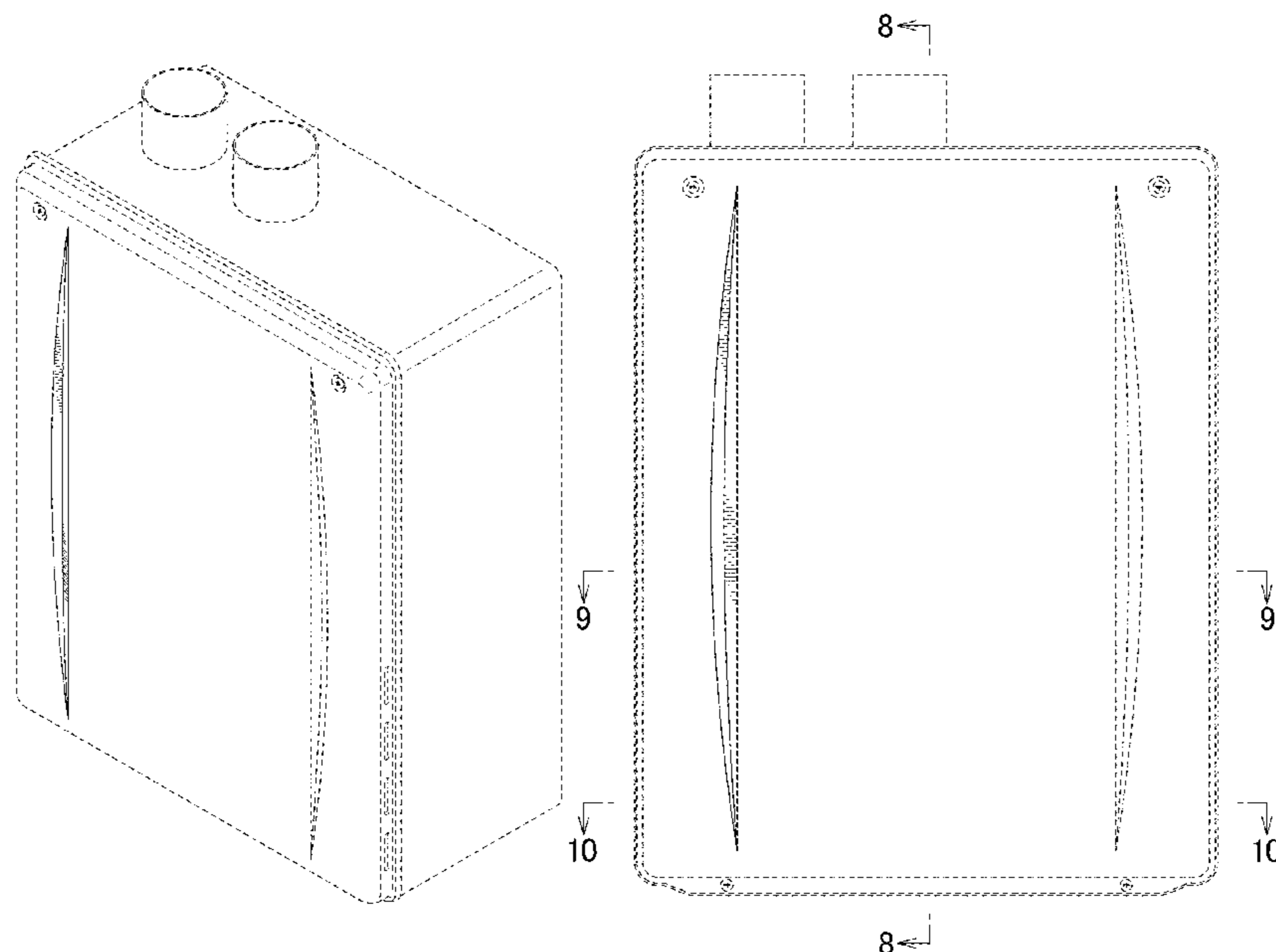
(57) **CLAIM**

The ornamental design for a water heater, as shown and described.

DESCRIPTION

FIG. 1 is a perspective view of a water heater, in accordance with the present design;
 FIG. 2 is a front view thereof;
 FIG. 3 is a rear view thereof;
 FIG. 4 is a top view thereof;
 FIG. 5 is a bottom view thereof;
 FIG. 6 is a right side view thereof;
 FIG. 7 is a left side view thereof;
 FIG. 8 is a cross-sectional view of the water heater of FIG. 1 shown in the direction of line 8-8 of FIG. 2; the internal mechanism is not shown for the sake of clarity;
 FIG. 9 is a cross-sectional view of the water heater of FIG. 1 shown in the direction of line 9-9 of FIG. 2; the internal mechanism is not shown for the sake of clarity; and,
 FIG. 10 is a cross-sectional view of the water heater of FIG. 1 shown in the direction of line 10-10 of FIG. 2; the internal mechanism is not shown for the sake of clarity.
 The broken lines shown in the drawings represent portions of the water heater that form no part of the claimed design.

1 Claim, 8 Drawing Sheets



(58) **Field of Classification Search**

USPC D23/499; D13/184; D14/214, 221, 235,
 D14/240, 356, 362; D3/2, 7; D5/48;
 D6/536, 540, 616; D7/504, 555; D8/83;
 D11/131.1; D12/125, 511, 525, 543, 219;
 D19/40; D22/18, 124; D15/89; D9/430
 CPC F24C 7/10; F24H 9/2071; F24H 9/2064;
 F24H 1/06; F24H 9/2028; F24H 9/02;
 F24H 9/128; F24H 9/2021; F24H 9/2007;
 F24H 9/0005; F24H 4/00; F24H 2/142;
 H05B 3/78

See application file for complete search history.

(56) **References Cited**

U.S. PATENT DOCUMENTS

D258,988 S	4/1981	Leonard	
D327,814 S	7/1992	Graham et al.	
5,947,272 A	9/1999	Park	
D425,493 S	5/2000	Cutright et al.	
D428,809 S	8/2000	Adair	
D433,858 S	11/2000	Gastelum et al.	
D483,451 S	12/2003	Yamamoto et al.	
D483,452 S	12/2003	Yamamoto et al.	
D483,453 S	12/2003	Yamamoto et al.	
D483,844 S	12/2003	Yamamoto et al.	
D507,733 S	7/2005	Liu	
D532,498 S	11/2006	Maegawa et al.	
D533,928 S	12/2006	Maegawa et al.	
D545,127 S	6/2007	Fife	
D570,974 S	6/2008	Nanbu et al.	
D570,976 S	6/2008	Nanbu et al.	
D574,187 S	8/2008	Jarratt	
D576,507 S	9/2008	Farnworth et al.	
D604,254 S	11/2009	Lanfear et al.	
D609,701 S	2/2010	Hou	
D611,692 S	3/2010	Bizzo	
D616,536 S	5/2010	Lee	
D642,572 S	8/2011	Kujawski	
D653,320 S *	1/2012	Watanabe	D23/320
D679,258 S	4/2013	Moore et al.	
D679,530 S	4/2013	Gilboe et al.	
D683,001 S	5/2013	Lee	
D687,134 S	7/2013	Lee	
D752,392 S	3/2016	Maas et al.	
D769,429 S	10/2016	Buettner et al.	
D773,020 S	11/2016	Buettner et al.	
D779,270 S	2/2017	Hogan	
D783,793 S	4/2017	Satou et al.	

D787,294 S	5/2017	Bast	
D790,248 S	6/2017	Clark et al.	
D802,548 S	11/2017	Schmid	
D804,623 S	12/2017	Yamaguchi et al.	
D809,492 S	2/2018	Moon et al.	
D810,259 S	2/2018	You et al.	
D816,063 S	4/2018	Choi et al.	
D817,306 S	5/2018	Jang et al.	
D824,250 S *	7/2018	Struggl	D9/430
D824,900 S *	8/2018	Wu	D14/356
D833,589 S *	11/2018	Shono	D23/318
D839,403 S *	1/2019	Shono	D23/318
D840,006 S *	2/2019	Fritz	D23/318
D842,443 S *	3/2019	Shono	D23/318
D843,554 S *	3/2019	Engelhard	D23/364
D844,123 S *	3/2019	Schumann	D23/318
D844,125 S *	3/2019	Horsfield	D23/343
D845,453 S *	4/2019	Shono	D23/318
D855,162 S *	7/2019	Shono	D23/318
D864,367 S *	10/2019	Chen	D23/356
2007/0126320 A1	6/2007	Huang	
2011/0180019 A1	7/2011	Hsu	

FOREIGN PATENT DOCUMENTS

CA	174784 S	8/2017
CN	304140363 *	5/2017

OTHER PUBLICATIONS

An Office Action issued by the United States Patent and Trademark Office on Dec. 19, 2017, which corresponds to U.S. Appl. No. 29/582,823 and is related to U.S. Appl. No. 29/582,824. Noritz, Products NRCB199, Publication date unknown, Available on the Internet URL <http://www.noritz.com/products/nrcb199/>. Noritz website, NCC300OD, Publication date unknown, [site visited Jul. 26, 2018], Available on the Internet URL <http://www.noritz.com/products/ncc300-od/N>.
 An Office Action issued by the U.S. Patent Office on Aug. 10, 2018, which corresponds to U.S. Appl. No. 29/636,222 and is related to U.S. Appl. No. 29/582,824.
 An Office Action issued by the U.S. Patent Office on Aug. 23, 2018, which corresponds to U.S. Appl. No. 29/636,217 and is related to U.S. Appl. No. 29/582,824.
 An Office Action issued by the U.S. Patent Office on Sep. 5, 2018, which corresponds to U.S. Appl. No. 29/636,220 and is related to U.S. Appl. No. 29/582,824.
 Noritz website, NRCB-180, Publication date unknown, [site visited Aug. 6, 2018], Available on the Internet URL <http://www.noritz.com/products/nrcb180/>.

* cited by examiner

FIG. 1

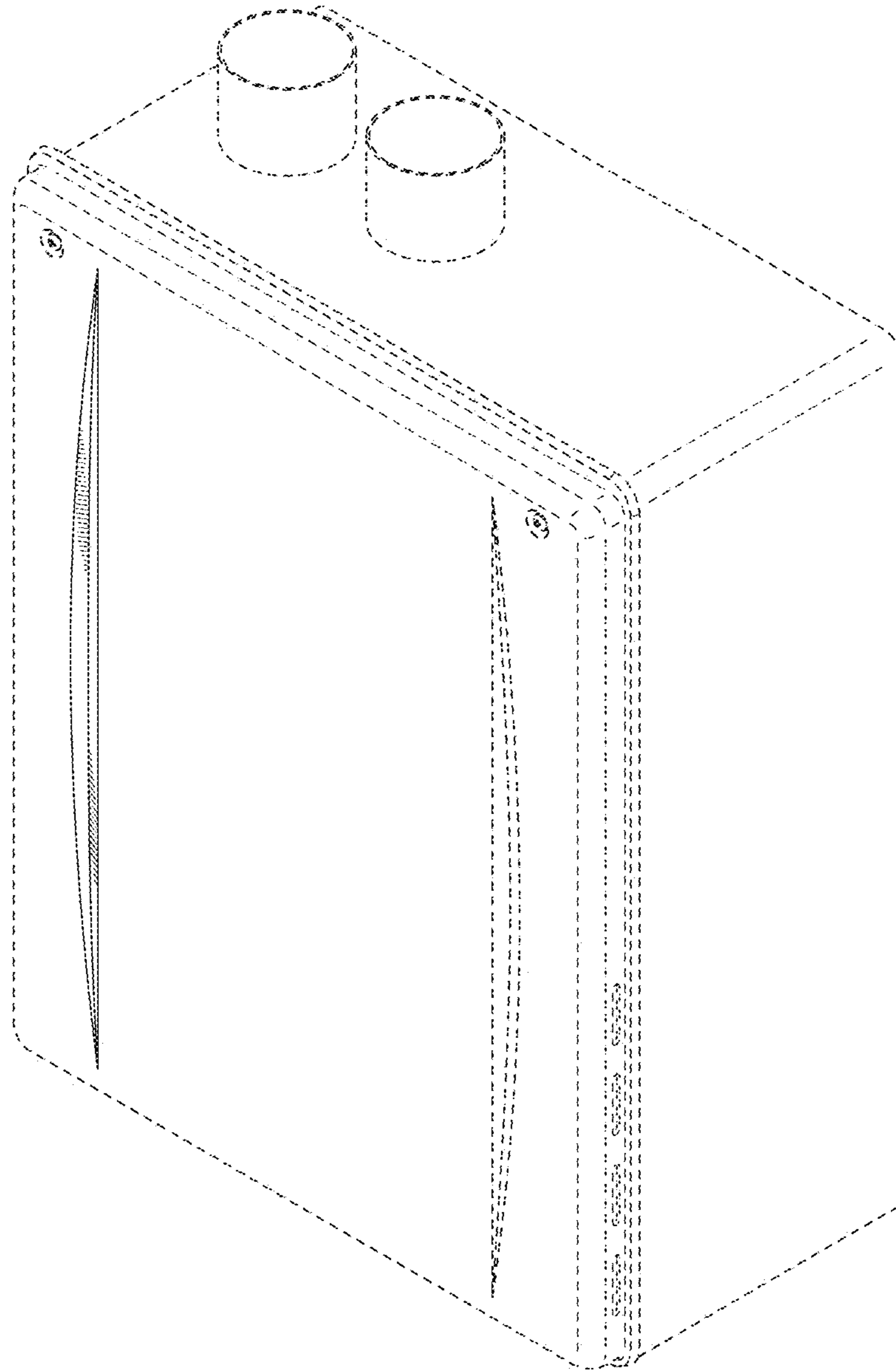


FIG. 2

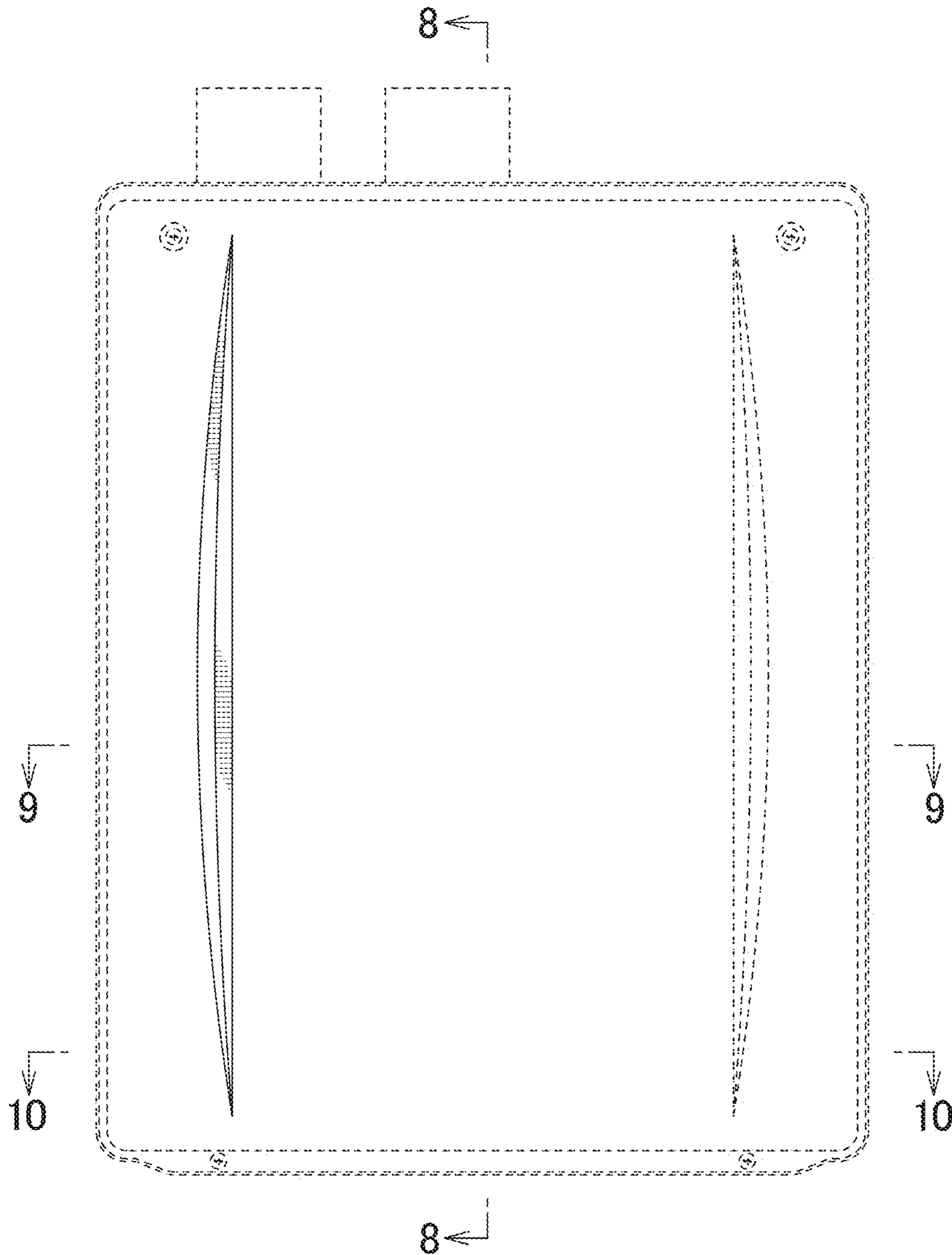


FIG. 3

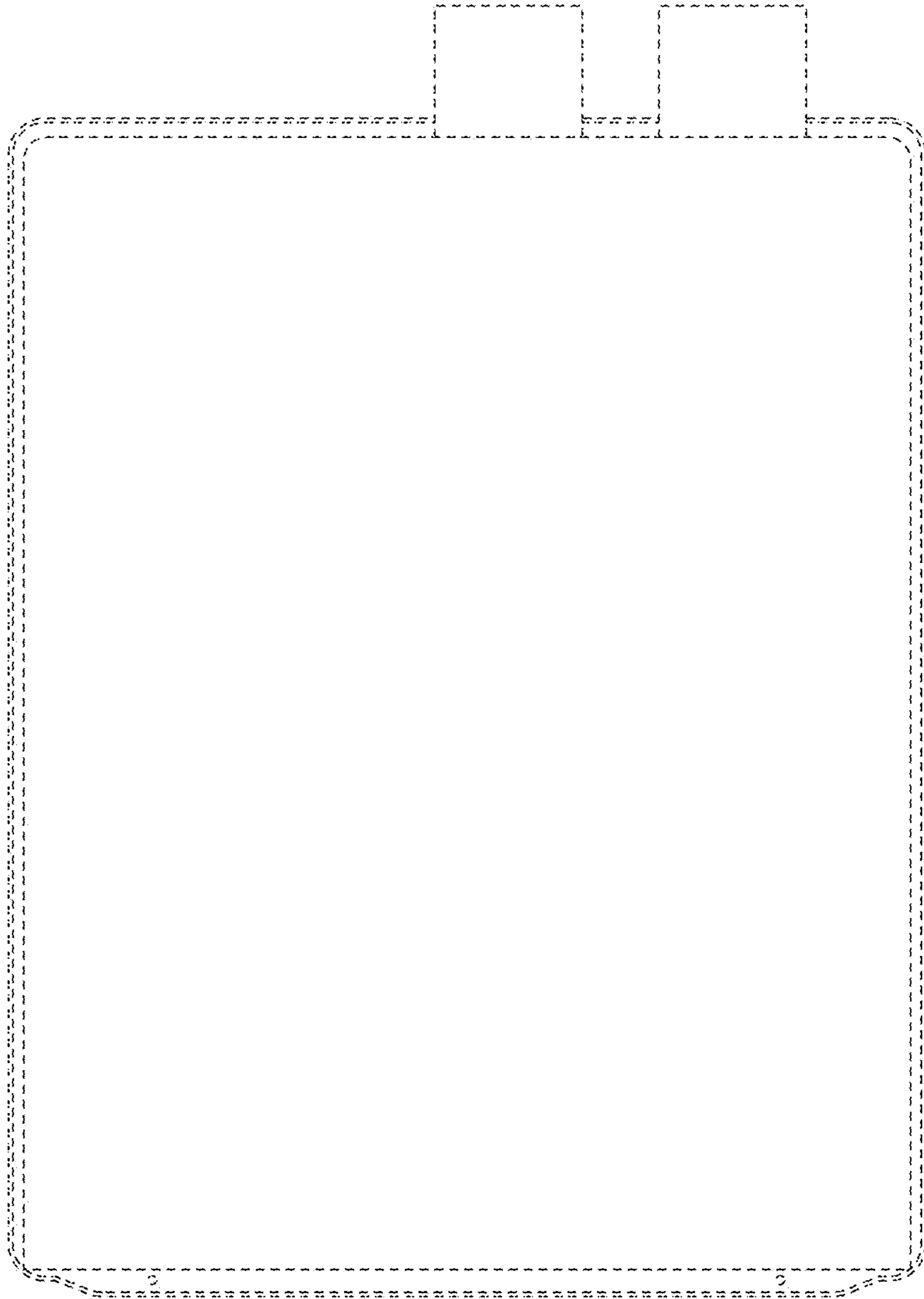


FIG. 4

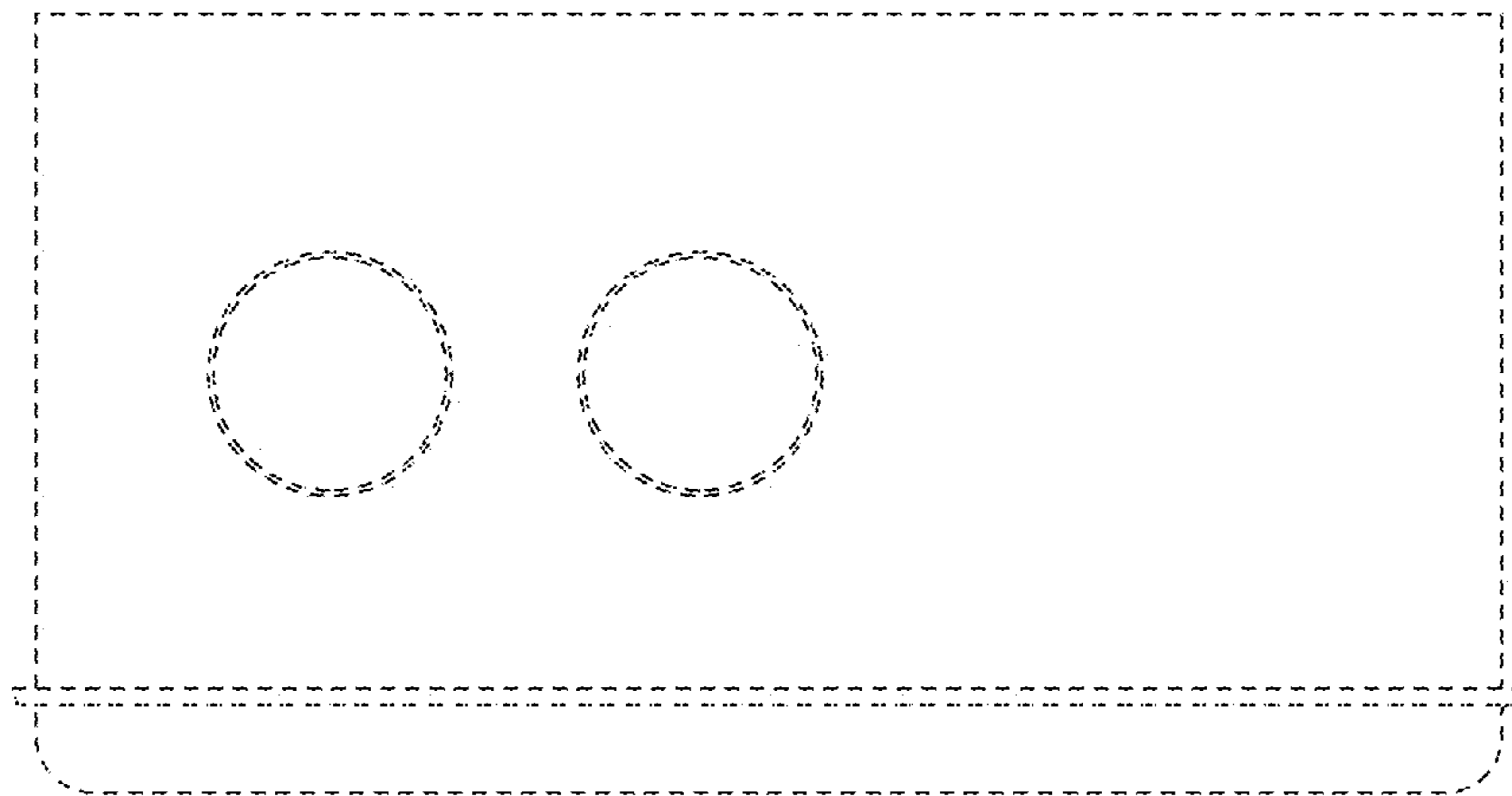


FIG. 5

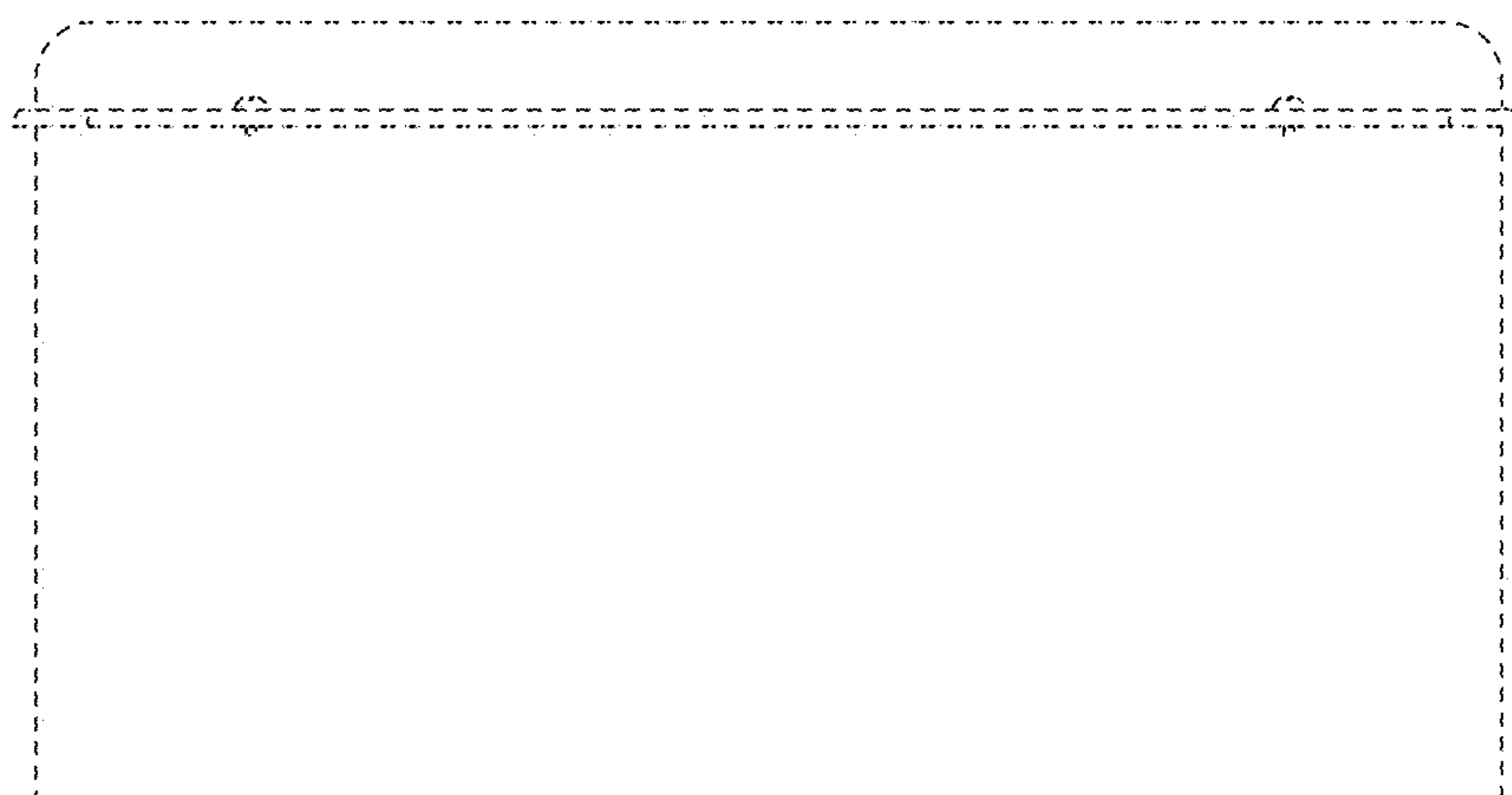


FIG. 6

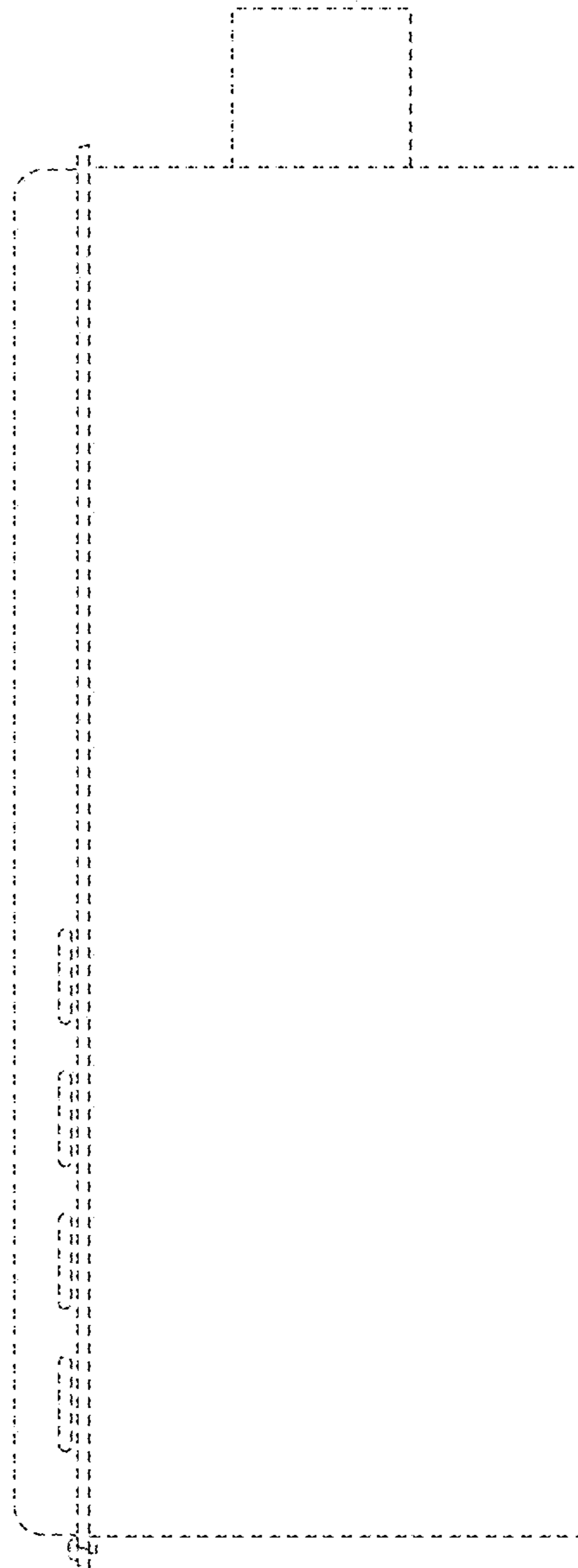


FIG. 7

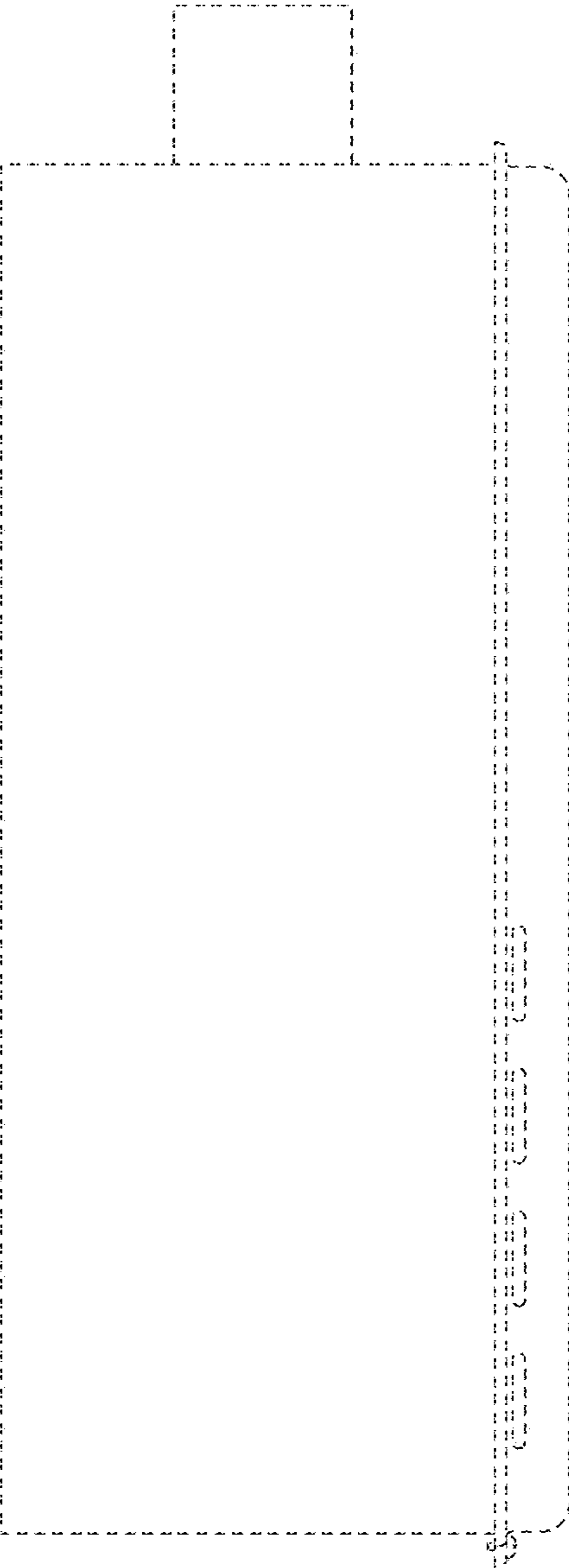


FIG. 8

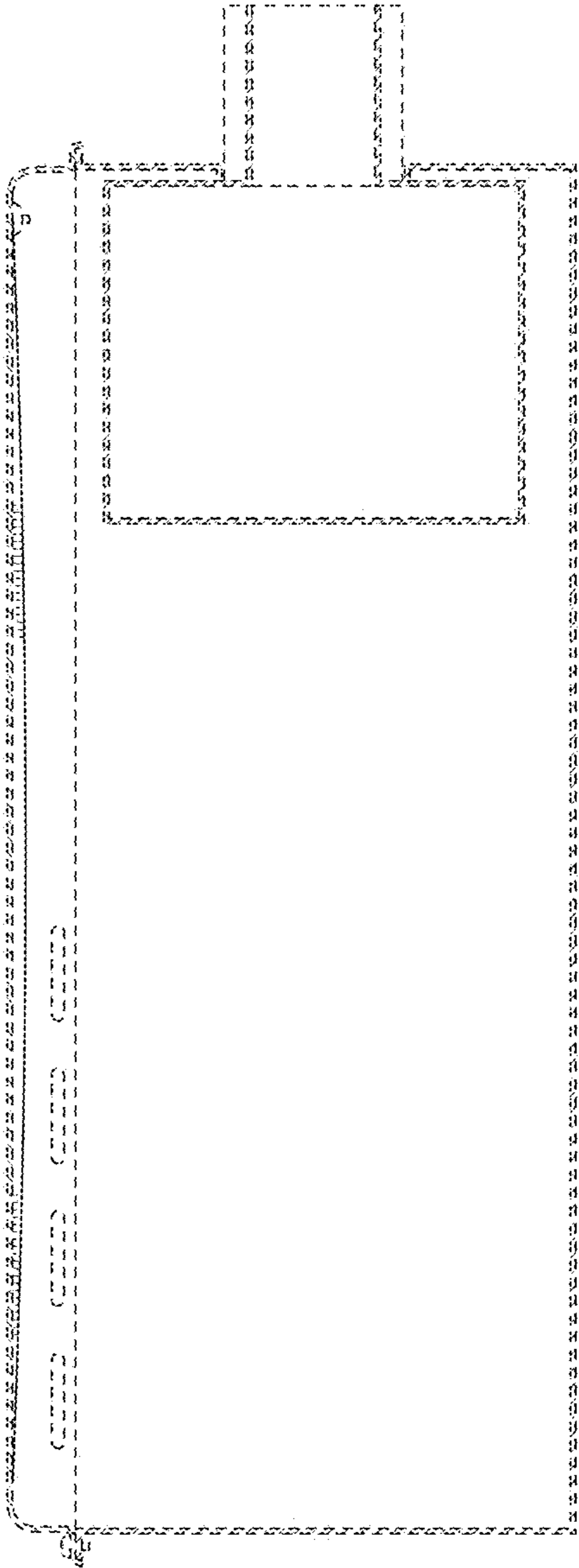


FIG. 9



FIG. 10

