



US00D879269S

(12) **United States Design Patent**  
**Terrill et al.**

(10) **Patent No.:** **US D879,269 S**  
(45) **Date of Patent:** **\*\* Mar. 24, 2020**

(54) **COUNTERTOP**

(71) Applicant: **DENTAL COMPONENTS LLC**,  
Newberg, OR (US)  
(72) Inventors: **David A. Terrill**, Newberg, OR (US);  
**Austin E. Unsworth**, Fort Mill, SC  
(US)  
(73) Assignee: **DENTAL COMPONENTS LLC**,  
Newberg, OR (US)

(\*\*) Term: **15 Years**

(21) Appl. No.: **29/636,663**

(22) Filed: **Feb. 9, 2018**

(51) **LOC (12) Cl.** ..... **23-02**

(52) **U.S. Cl.**  
USPC ..... **D23/308**

(58) **Field of Classification Search**  
USPC ..... D23/308, 303, 270, 284, 285, 286, 287,  
D23/288, 289, 290, 291, 292, 293.1;  
D6/702, 707, 707.16, 707.19, 707.22,  
D6/707.23, 707.24, 691, 691.3  
CPC .... A47B 5/00; A47B 5/02; A47B 5/04; A47B  
17/04; A47B 1/00; A47B 77/06; A47B  
77/04; E03C 1/18; E03C 1/181  
See application file for complete search history.

(56) **References Cited**

**U.S. PATENT DOCUMENTS**

D207,851 S \* 6/1967 Separa ..... D6/696.2  
D241,395 S \* 9/1976 Perl ..... D6/707.18

D333,228 S \* 2/1993 Hosoe ..... D6/696.3  
D352,852 S \* 11/1994 Hosoe ..... D6/696.3  
D468,142 S \* 1/2003 Plavsic ..... D6/707.22  
D619,263 S \* 7/2010 Hirayoshi ..... D23/286  
D668,483 S \* 10/2012 Bennett ..... D6/707.22  
D681,982 S \* 5/2013 Clegg ..... D6/707.19  
D759,795 S \* 6/2016 LeTourneau ..... D23/284

\* cited by examiner

*Primary Examiner* — Sheryl Lane  
*Assistant Examiner* — Samantha N Wood  
(74) *Attorney, Agent, or Firm* — Alston & Bird LLP

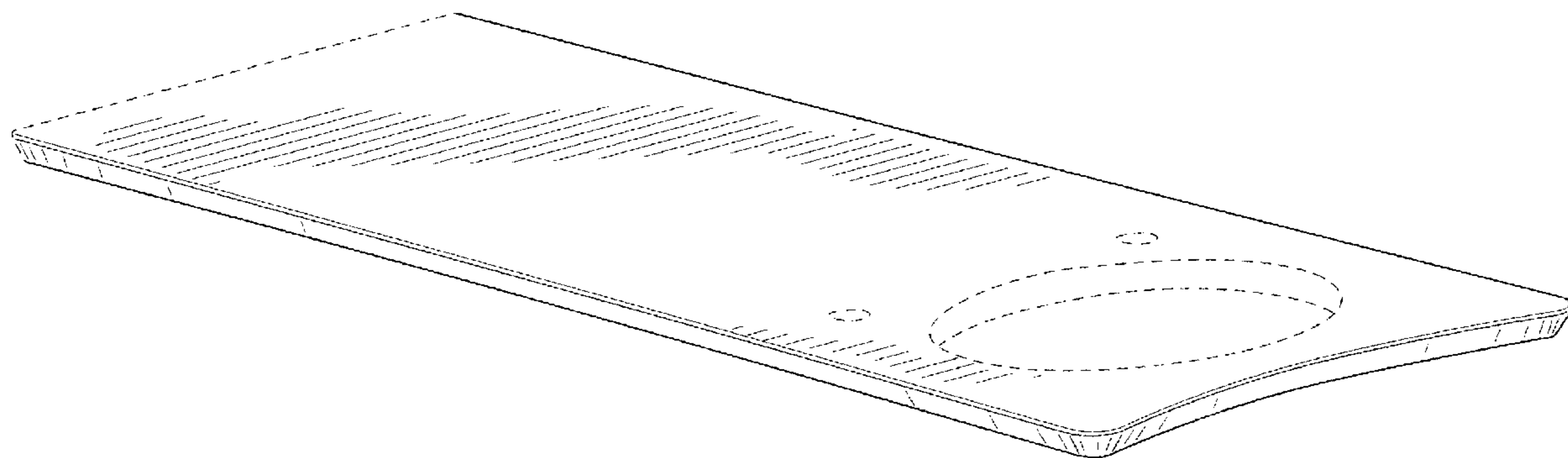
(57) **CLAIM**

We claim the ornamental design for a countertop, as shown and described.

**DESCRIPTION**

FIG. 1 is a perspective view of a countertop showing our new design;  
FIG. 2 is a top plan view thereof;  
FIG. 3 is a bottom plan view thereof;  
FIG. 4 is a front elevation thereof;  
FIG. 5 is a rear elevation view thereof;  
FIG. 6 is a right side elevation view thereof;  
FIG. 7 is a left side elevation view thereof; and,  
FIG. 8 is another perspective view thereof shown in the environment of a cabinet.  
The broken lines of the cabinets, faucets, and soap dispensers of FIG. 8 are directed to environment and form no part of the claimed design. All other broken lines are directed to unclaimed features and form no part of the claimed design.

**1 Claim, 5 Drawing Sheets**



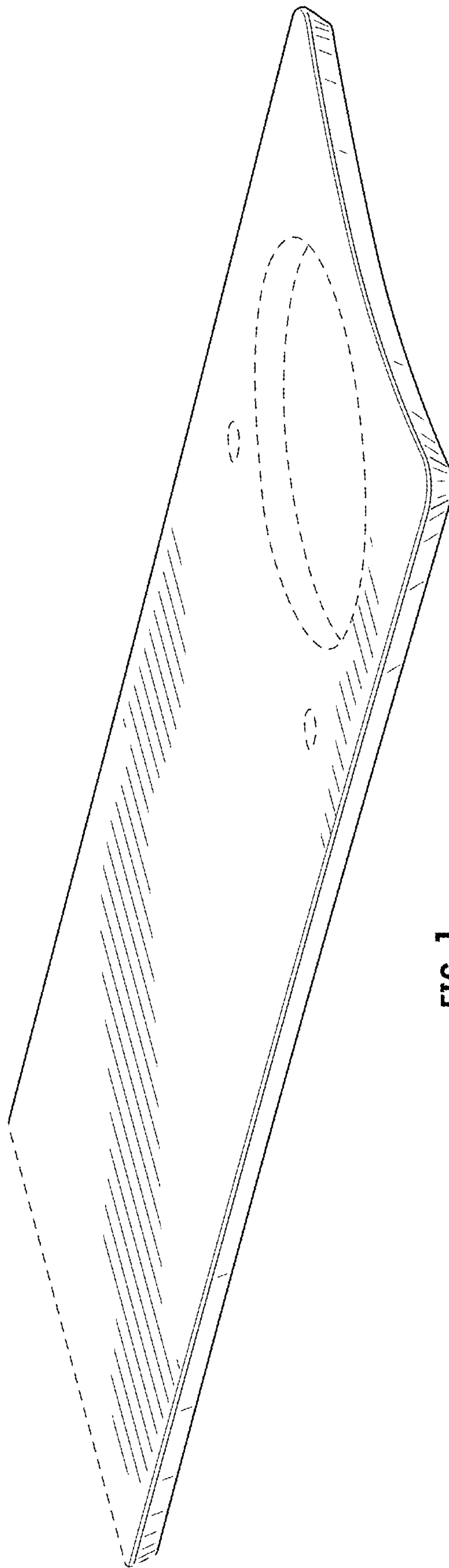


FIG. 1

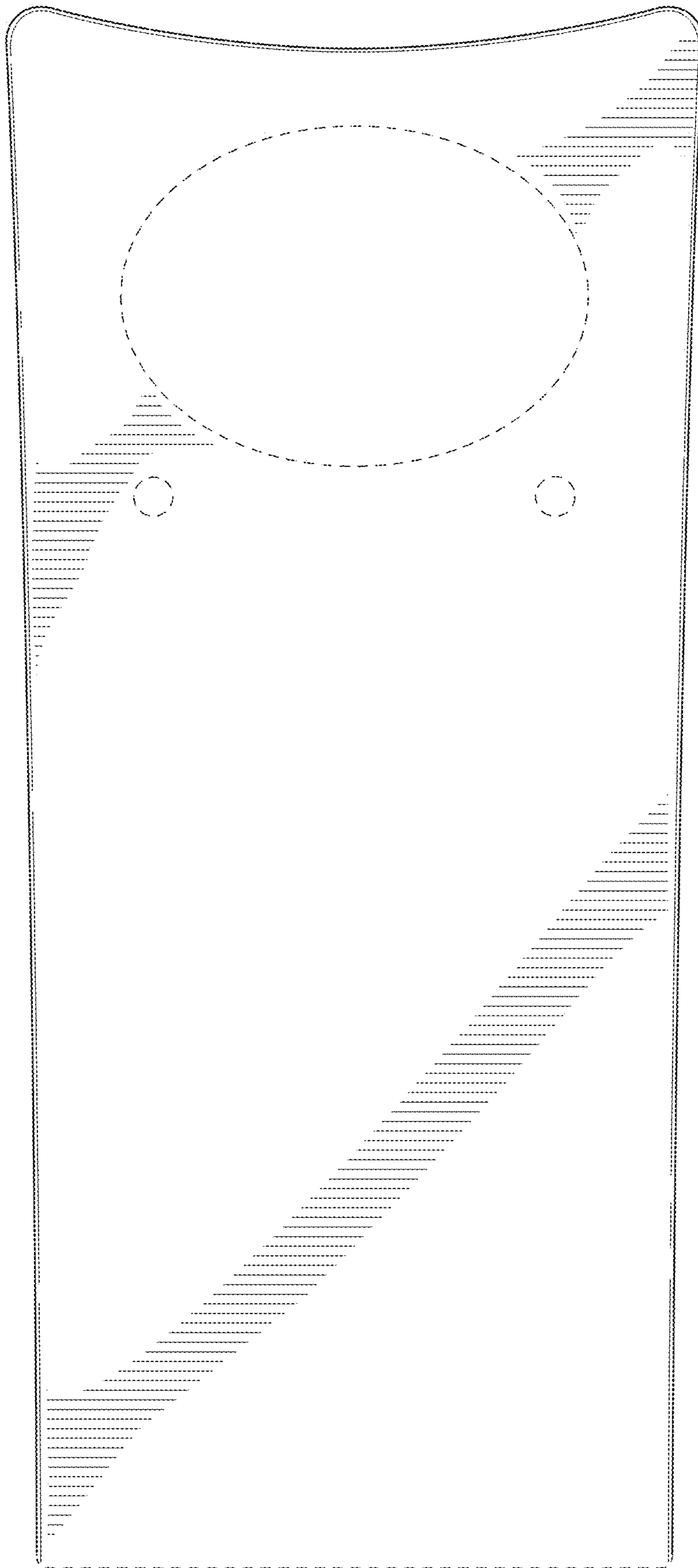


FIG. 2

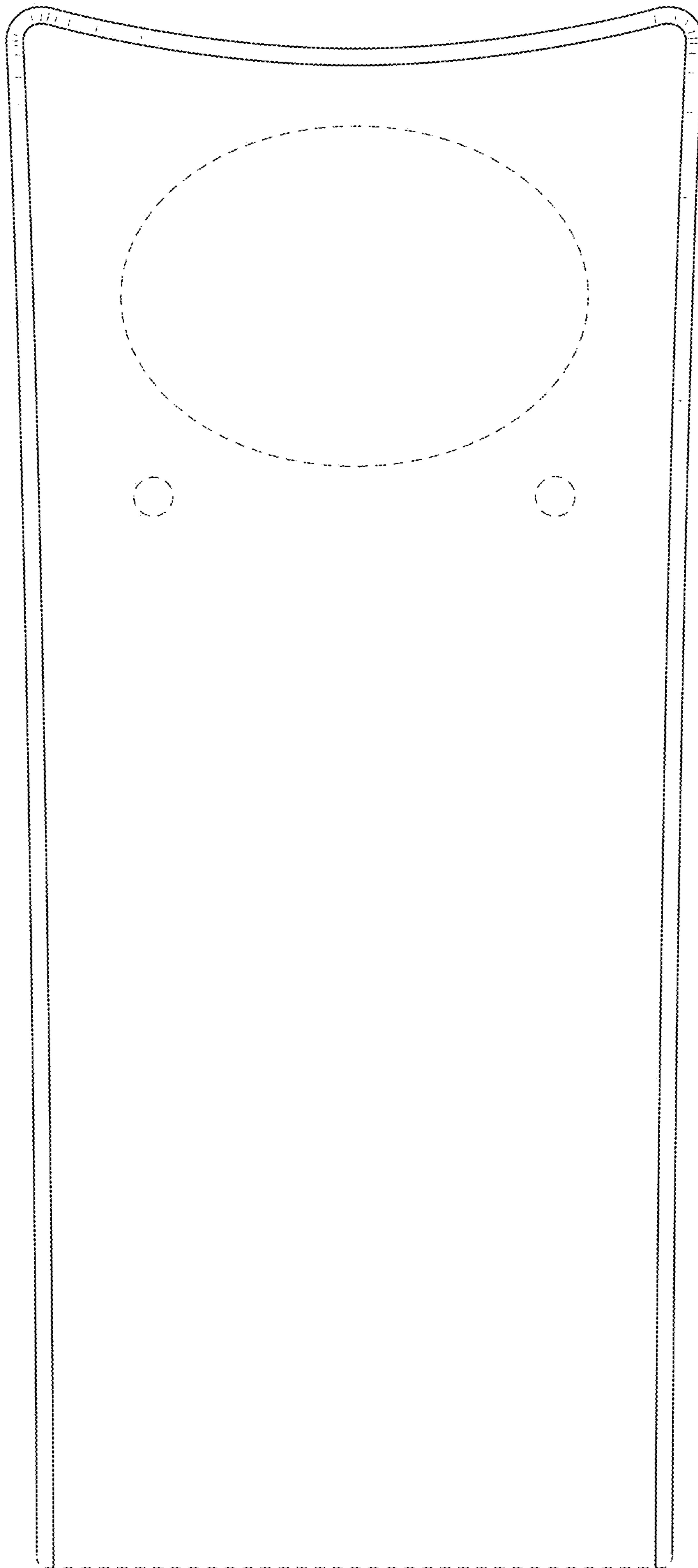


FIG. 3

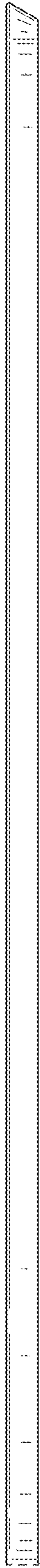


FIG. 4



FIG. 5



FIG. 6

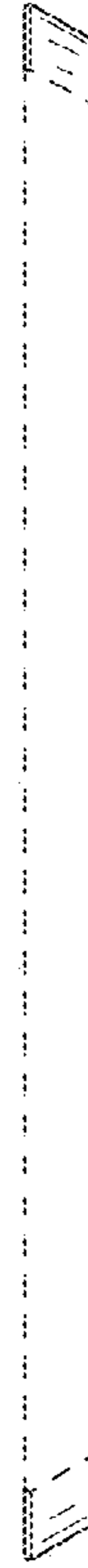


FIG. 7

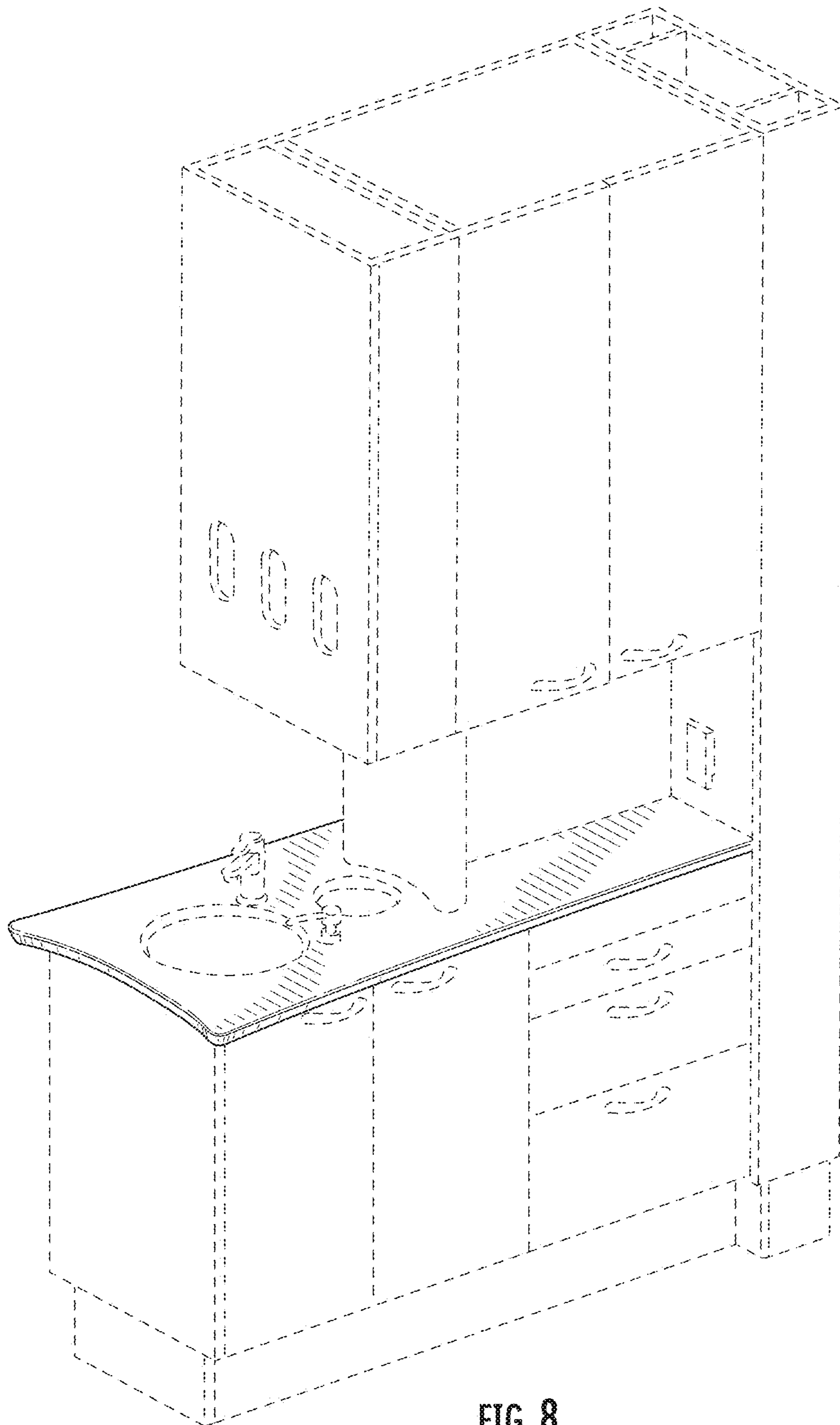


FIG. 8