



US00D879268S

(12) **United States Design Patent**
Terrill et al.

(10) **Patent No.:** **US D879,268 S**
(45) **Date of Patent:** **** Mar. 24, 2020**

(54) **COUNTERTOP**

(71) Applicant: **DENTAL COMPONENTS LLC**,
Newberg, OR (US)
(72) Inventors: **David A. Terrill**, Newberg, OR (US);
Austin E. Unsworth, Fort Mill, SC
(US)
(73) Assignee: **DENTAL COMPONENTS LLC**,
Newberg, OR (US)

(**) Term: **15 Years**

(21) Appl. No.: **29/636,659**

(22) Filed: **Feb. 9, 2018**

(51) **LOC (12) Cl.** **23-02**

(52) **U.S. Cl.**
USPC **D23/308**

(58) **Field of Classification Search**
USPC D23/308, 303, 270, 284, 285, 286, 287,
D23/288, 289, 290, 291, 292, 293.1;
D6/702, 707, 707.16, 707.19, 707.22,
D6/707.23, 707.24, 691, 691.3
CPC A47B 5/00; A47B 5/02; A47B 5/04; A47B
17/04; A47B 1/00; A47B 77/06; A47B
77/04; E03C 1/18; E03C 1/181
See application file for complete search history.

(56) **References Cited**

U.S. PATENT DOCUMENTS

D181,635 S * 12/1957 Farrar D23/293.1
D218,607 S * 9/1970 Schrock D23/293.1

D440,798 S * 4/2001 Kuhlman D6/707.22
D452,626 S * 1/2002 Petri D6/707.22
D499,469 S * 12/2004 Trepanier D23/286
D722,369 S * 2/2015 LeTourneau D23/308
D759,794 S * 6/2016 LeTourneau D23/284
D759,795 S * 6/2016 LeTourneau D23/284
D778,653 S * 2/2017 Spoelhof D6/707.22

* cited by examiner

Primary Examiner — Sheryl Lane
Assistant Examiner — Samantha N Wood
(74) *Attorney, Agent, or Firm* — Alston & Bird LLP

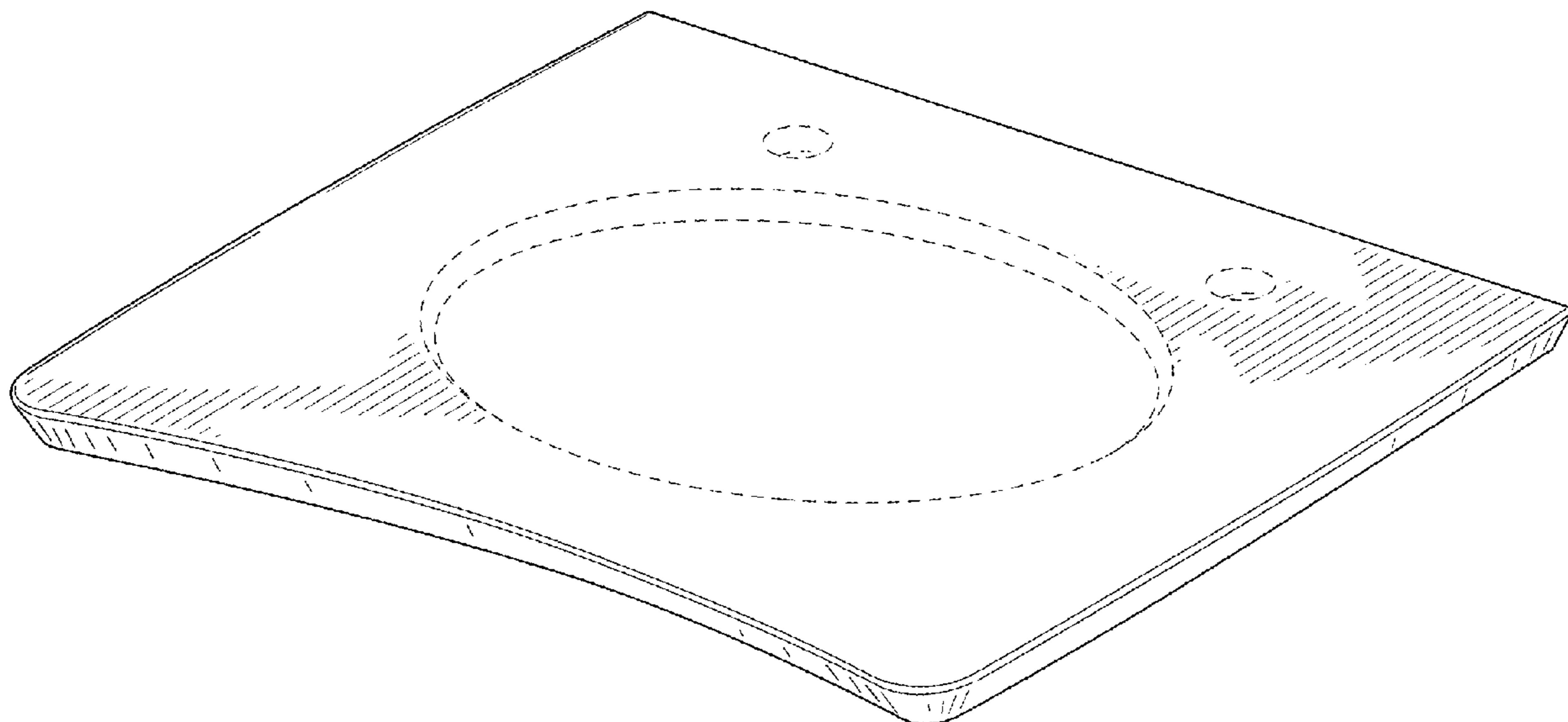
(57) **CLAIM**

We claim the ornamental design for a countertop, as shown and described.

DESCRIPTION

FIG. 1 is a perspective view of a countertop showing our new design;
FIG. 2 is a top plan view thereof;
FIG. 3 is a bottom plan view thereof;
FIG. 4 is a front elevation thereof;
FIG. 5 is a rear elevation view thereof;
FIG. 6 is a right side elevation view thereof;
FIG. 7 is a left side elevation view thereof; and,
FIG. 8 is another perspective view thereof shown in the environment of a cabinet.
The broken lines of the cabinets, faucets, and soap dispensers of FIG. 8 are directed to environment and form no part of the claimed design. All other broken lines are directed to unclaimed features and form no part of the claimed design.

1 Claim, 5 Drawing Sheets



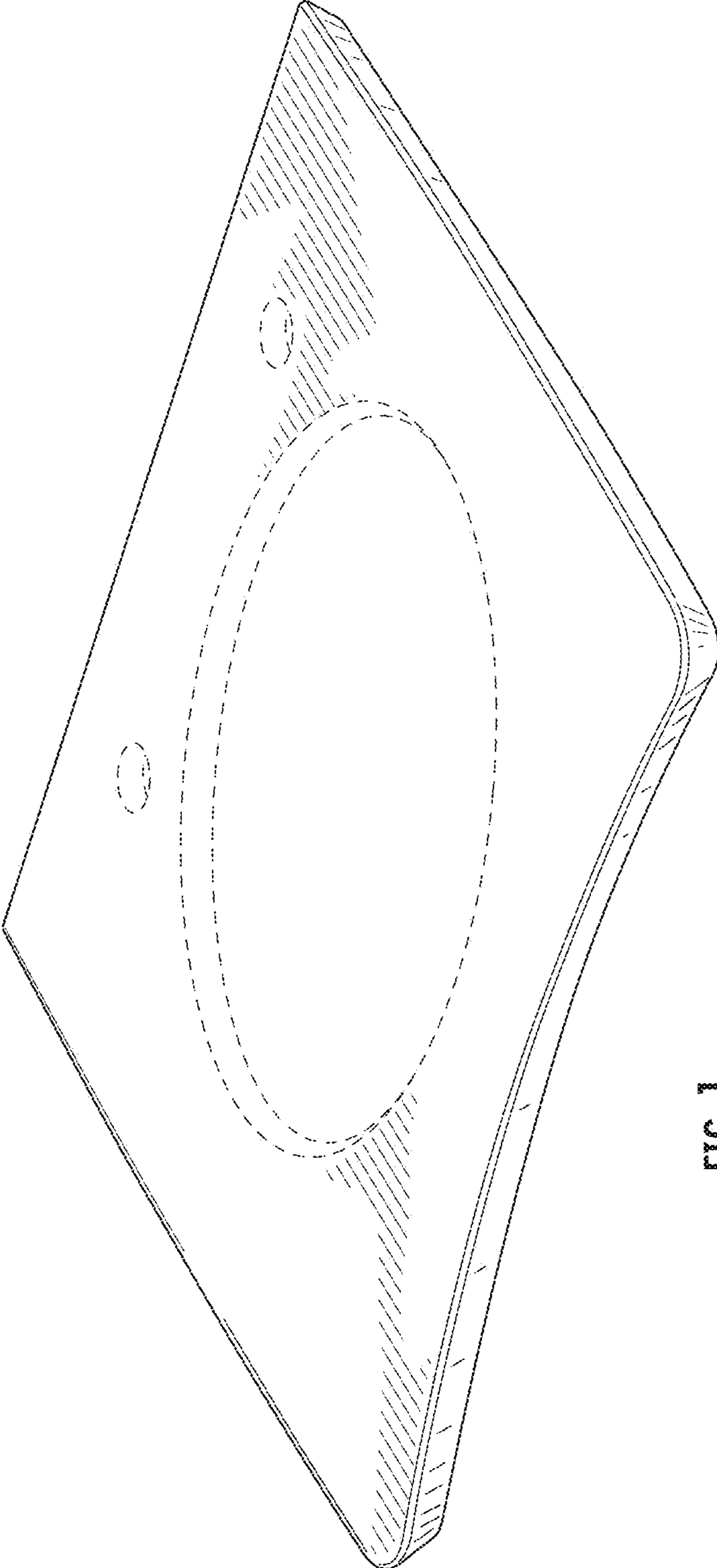


FIG. 1

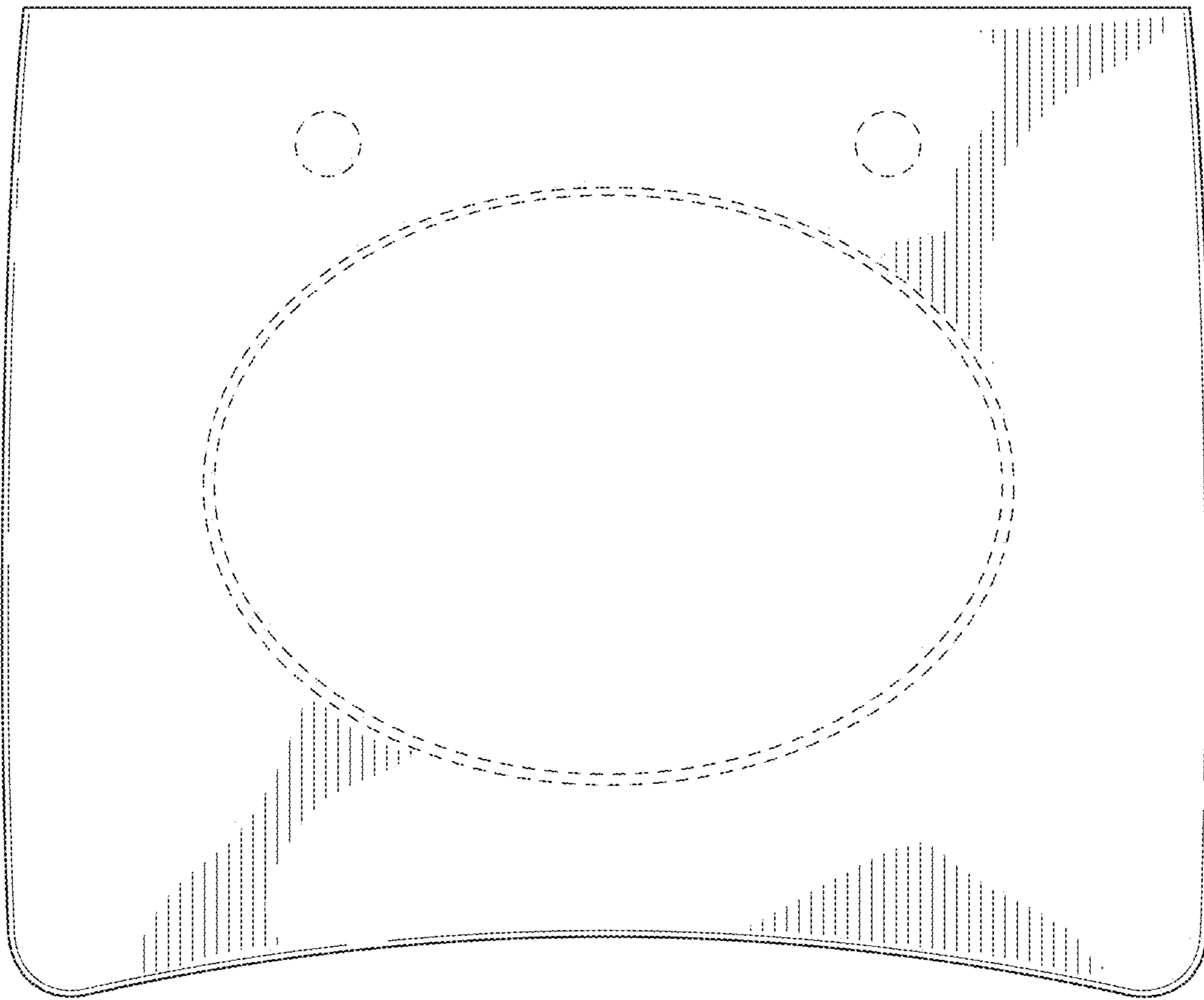


FIG. 2

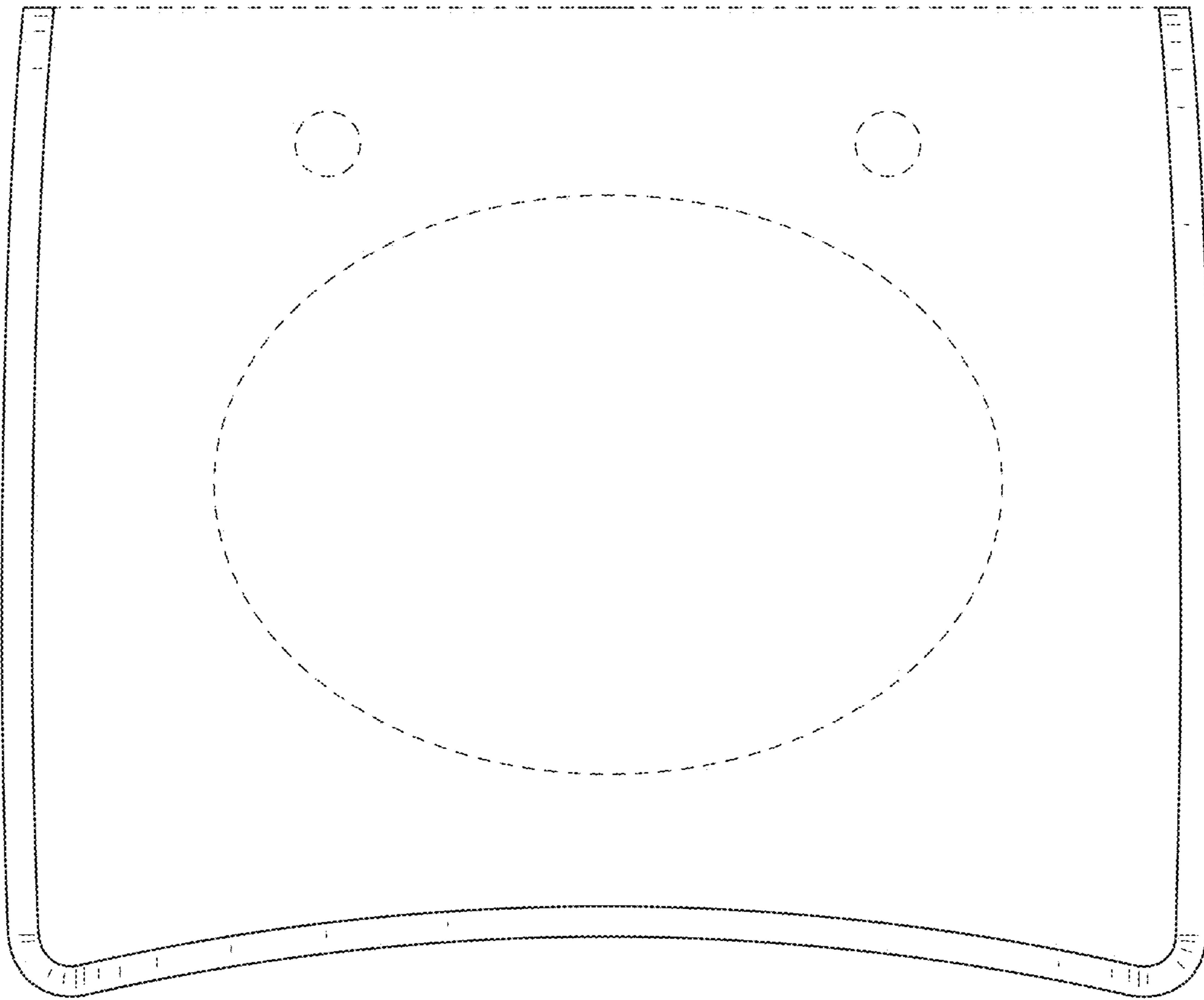


FIG. 3

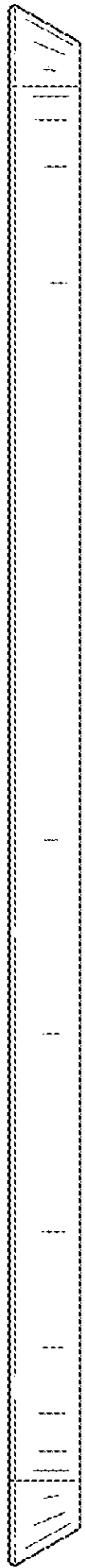


FIG. 4



FIG. 5

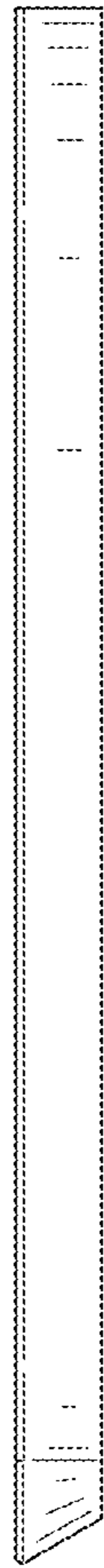


FIG. 6

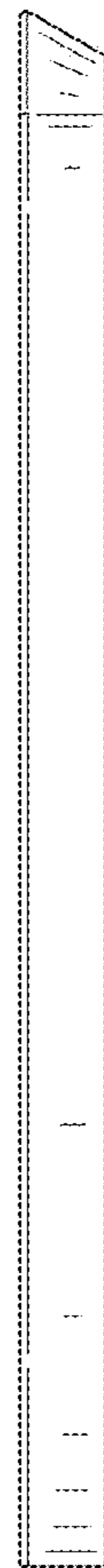


FIG. 7

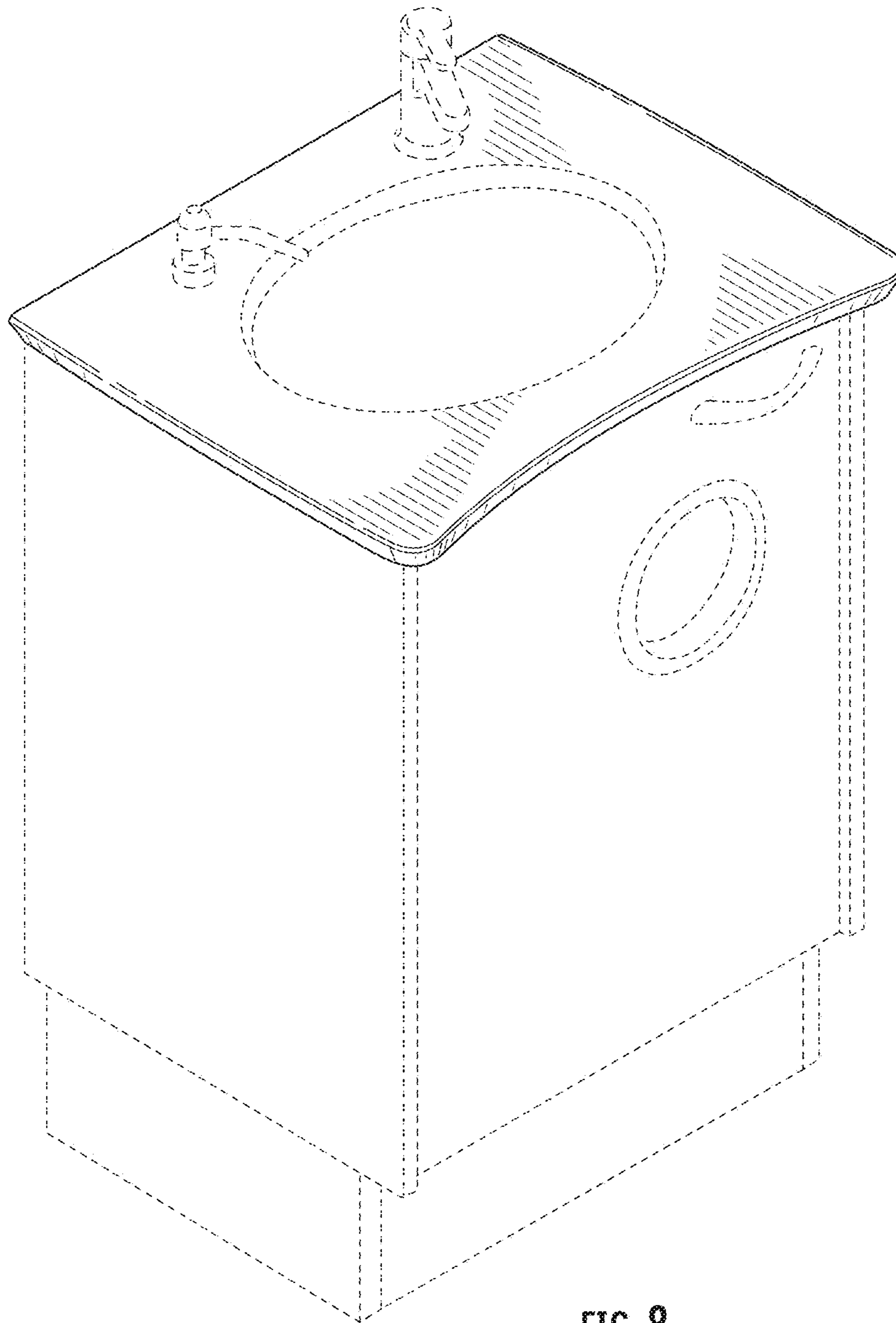


FIG. 8