



US00D879264S

(12) **United States Design Patent**
Grybush et al.

(10) **Patent No.:** **US D879,264 S**
(45) **Date of Patent:** **** Mar. 24, 2020**

- (54) **SINK**
- (71) Applicant: **Kohler Co.**, Kohler, WI (US)
- (72) Inventors: **Evan M. Grybush**, Kiel, WI (US);
Carrie N. Hack, Sheboygan, WI (US);
Niels J. Eilmus, Sheboygan, WI (US)
- (73) Assignee: **KOHLER CO.**, Kohler, WI (US)
- (**) Term: **15 Years**
- (21) Appl. No.: **29/622,813**
- (22) Filed: **Oct. 19, 2017**
- (51) **LOC (12) Cl.** **23-01**
- (52) **U.S. Cl.**
USPC **D23/284**
- (58) **Field of Classification Search**
USPC D23/284, 293.1, 287-292, 303, 308;
D9/425
CPC A47K 1/04; A47B 77/06; A47J 47/20
See application file for complete search history.

(56) **References Cited**

U.S. PATENT DOCUMENTS

D37,690 S *	11/1905	Stover	D23/287
1,642,853 A *	9/1927	Gloekler	E03C 1/184 4/650
D78,499 S *	5/1929	Barton	D23/287
D83,246 S	12/1930	Brotz	
D89,200 S *	2/1933	Kohler	D23/291
D93,329 S *	9/1934	Crane	D23/293.1
D193,605 S *	9/1962	Corp	D23/284
D471,265 S	3/2003	Paredes et al.	
D473,294 S	4/2003	Genslak et al.	
D624,993 S *	10/2010	Thomas	D23/284
D624,994 S *	10/2010	Thomas	D23/284
D652,901 S *	1/2012	Didehvar	D23/284
D657,028 S	4/2012	Eilmus	
D663,394 S	7/2012	Eilmus	
D682,998 S	5/2013	Eilmus	

D692,113 S	10/2013	Eilmus	
D694,377 S *	11/2013	Mustee	D23/284
D799,648 S *	10/2017	Chong	D23/284

OTHER PUBLICATIONS

Kohler Harborview sink reference [Jan. 31, 2019] found online [Jan. 31, 2019]—<https://www.amazon.com/K-6607-3-0-Harborview-Self-Rimming-Wall-Mount-Utility/dp/B000ZU9QUU>.*

* cited by examiner

Primary Examiner — Michael C Stout

Assistant Examiner — John A Voytek

(74) *Attorney, Agent, or Firm* — Foley & Lardner LLP

(57) **CLAIM**

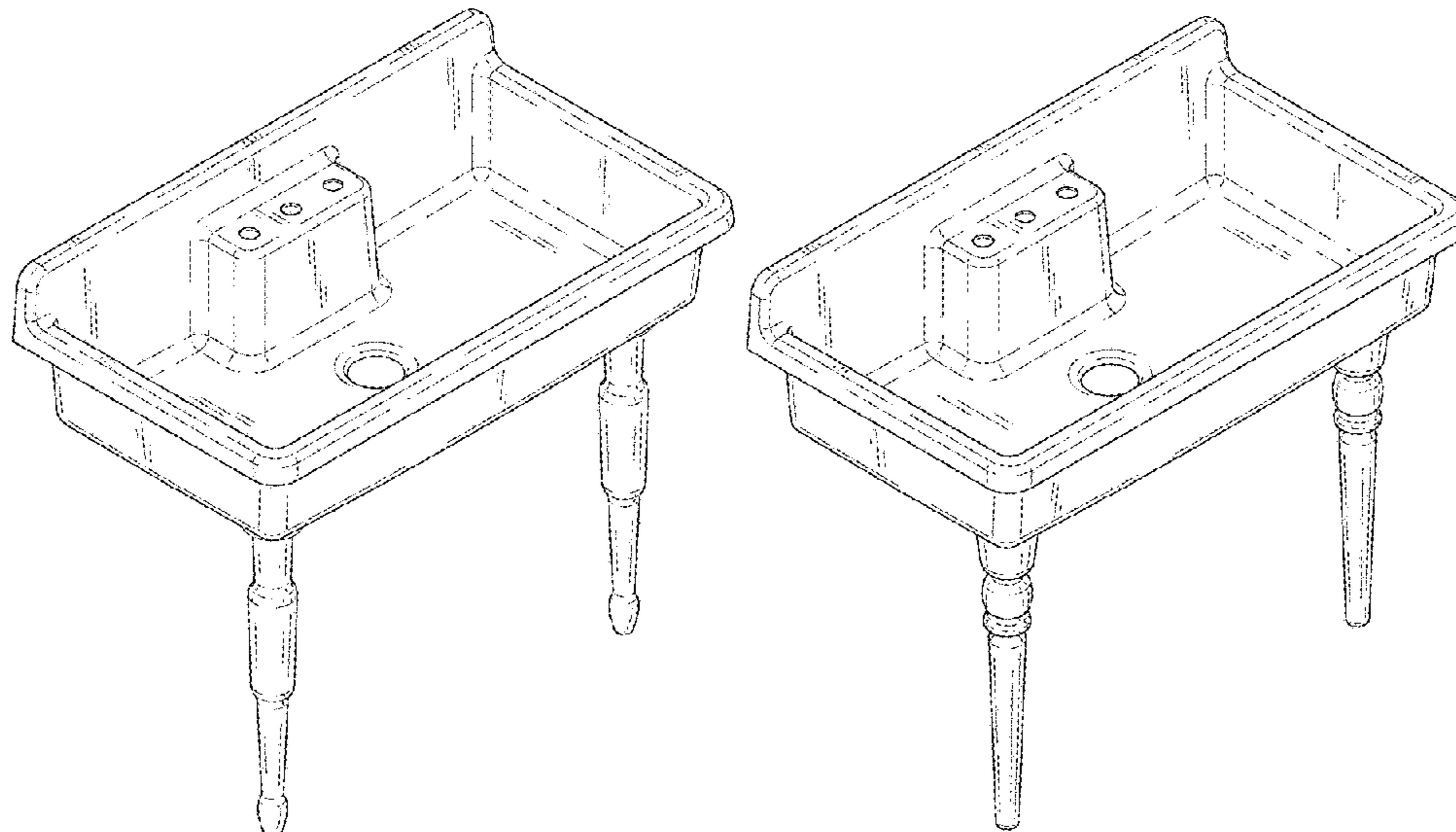
We claim the ornamental design for a sink, as shown and described.

DESCRIPTION

FIG. 1 is a top, front, left perspective view of an embodiment of the claimed design;
 FIG. 2 is a front elevation view thereof;
 FIG. 3 is a left side elevation view thereof;
 FIG. 4 is a right side elevation view thereof;
 FIG. 5 is a top plan view thereof;
 FIG. 6 is a bottom plan view thereof;
 FIG. 7 is a top, front, left perspective view of another embodiment of the claimed design;
 FIG. 8 is a front elevation view thereof;
 FIG. 9 is a left side elevation view thereof;
 FIG. 10 is a right side elevation view thereof;
 FIG. 11 is a top plan view thereof; and,
 FIG. 12 is a bottom plan view thereof.

The broken lines in the drawings show portions of the sink, which form no part of the claimed design. The dot-and-dashed lines represent a boundary between the claimed portion and the unclaimed portion of the sink.

1 Claim, 12 Drawing Sheets



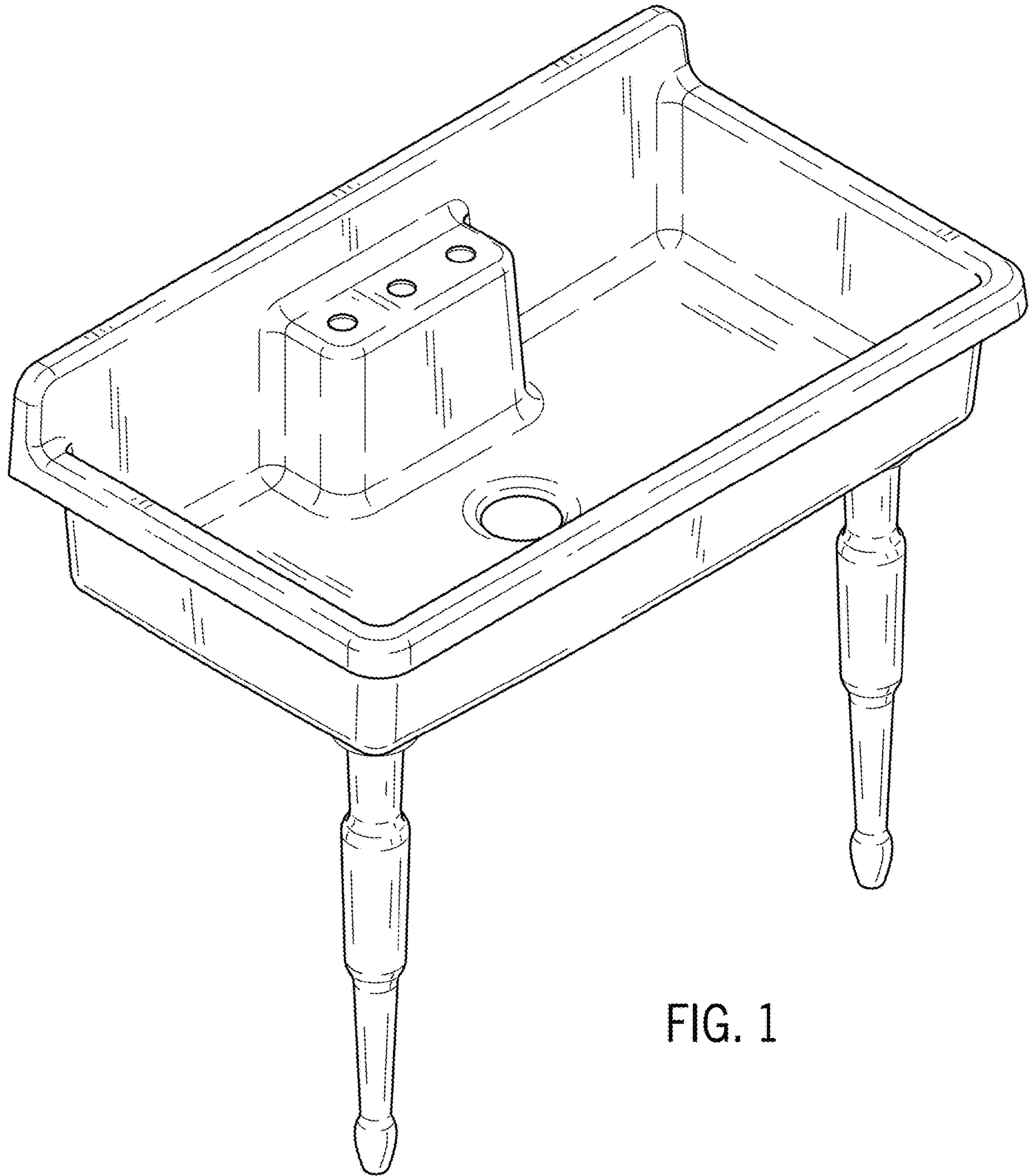


FIG. 1

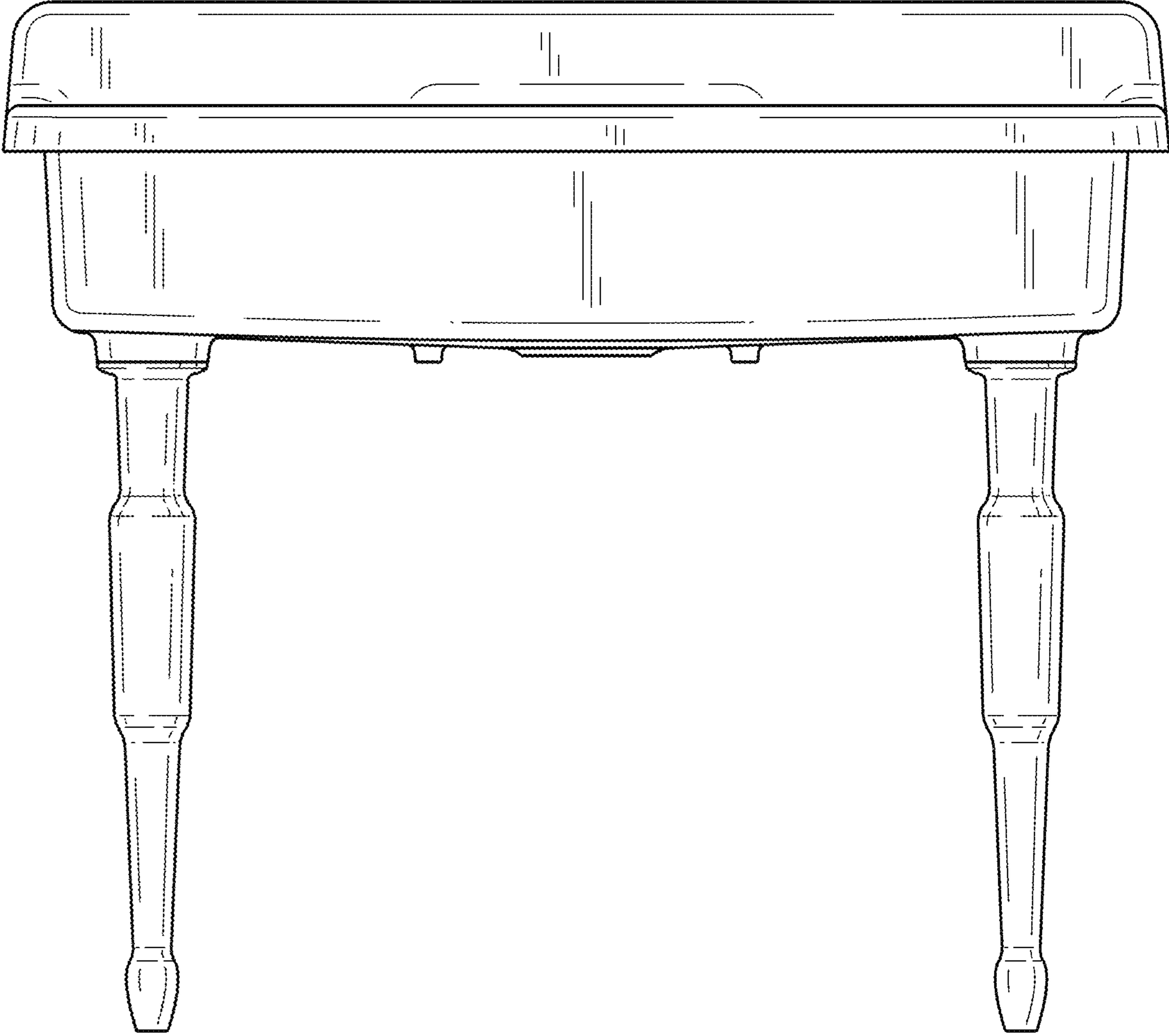


FIG. 2

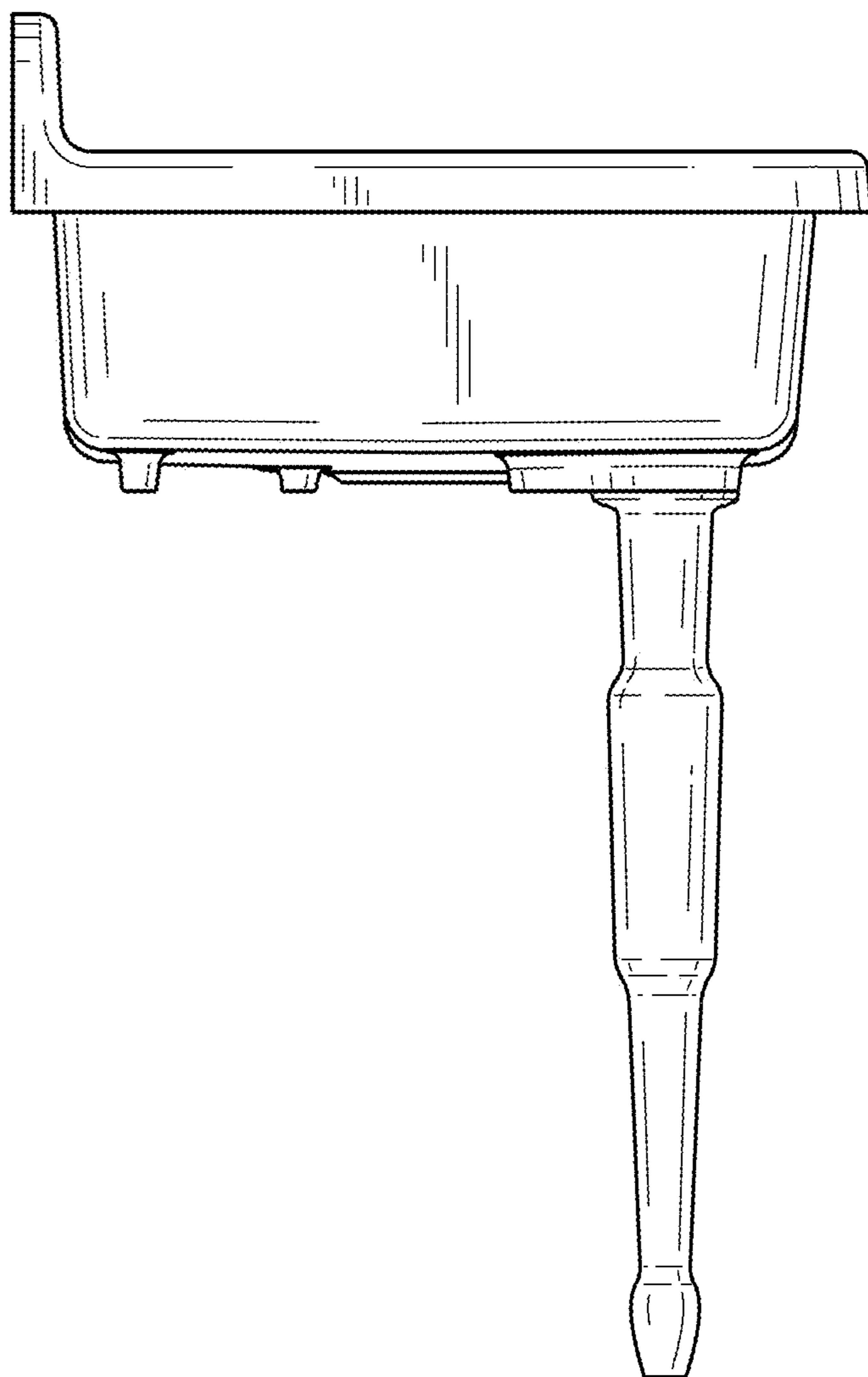


FIG. 3

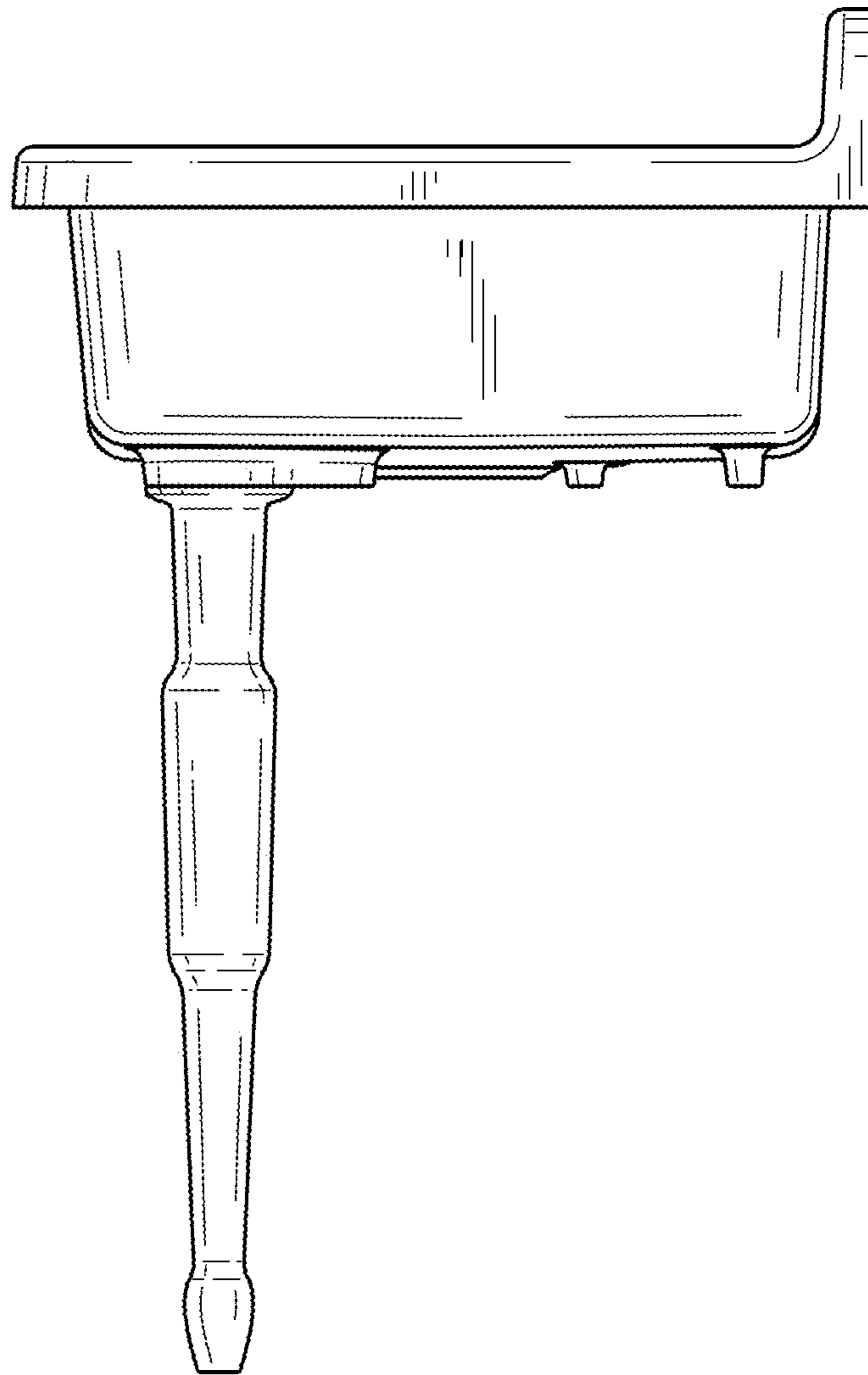


FIG. 4

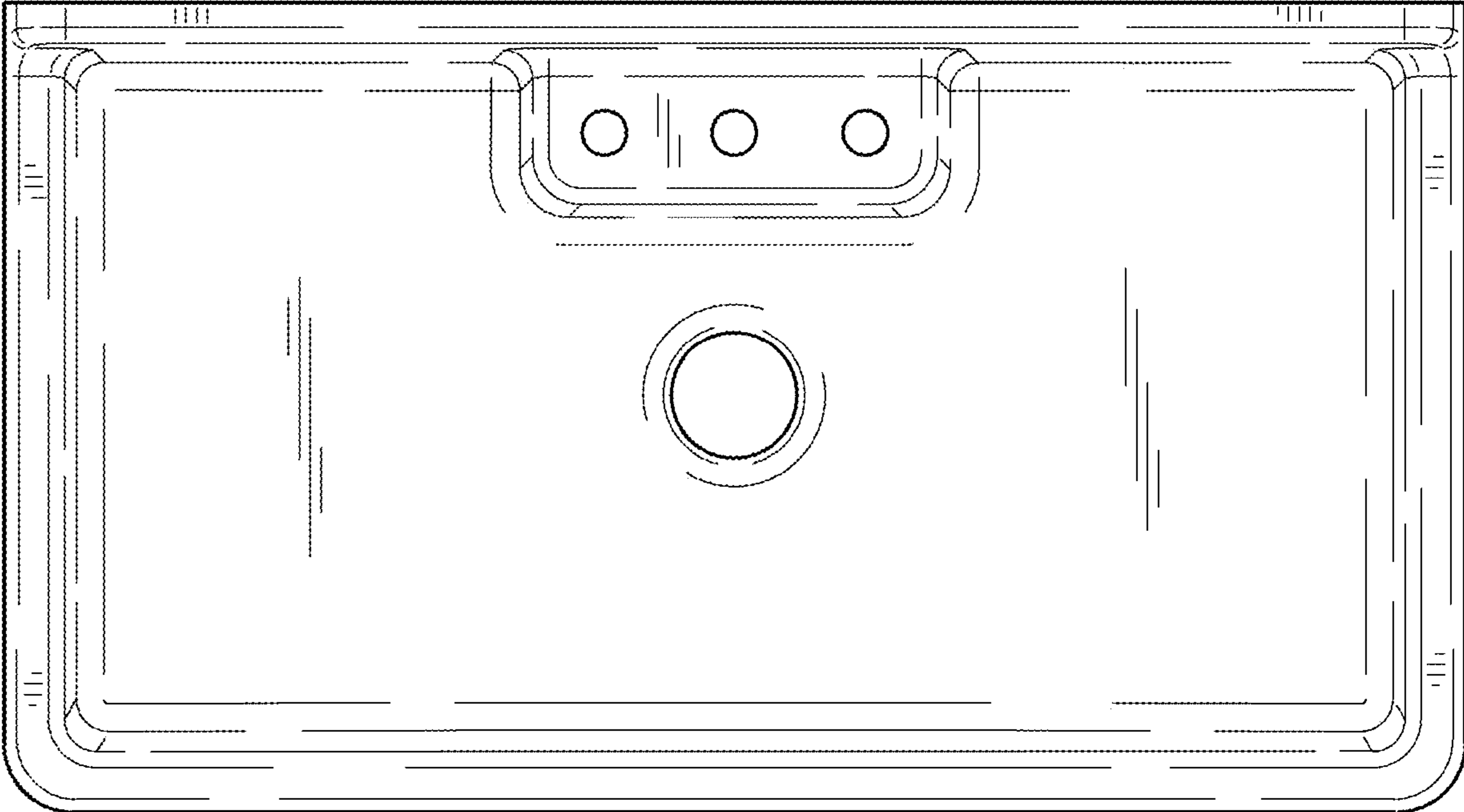


FIG. 5

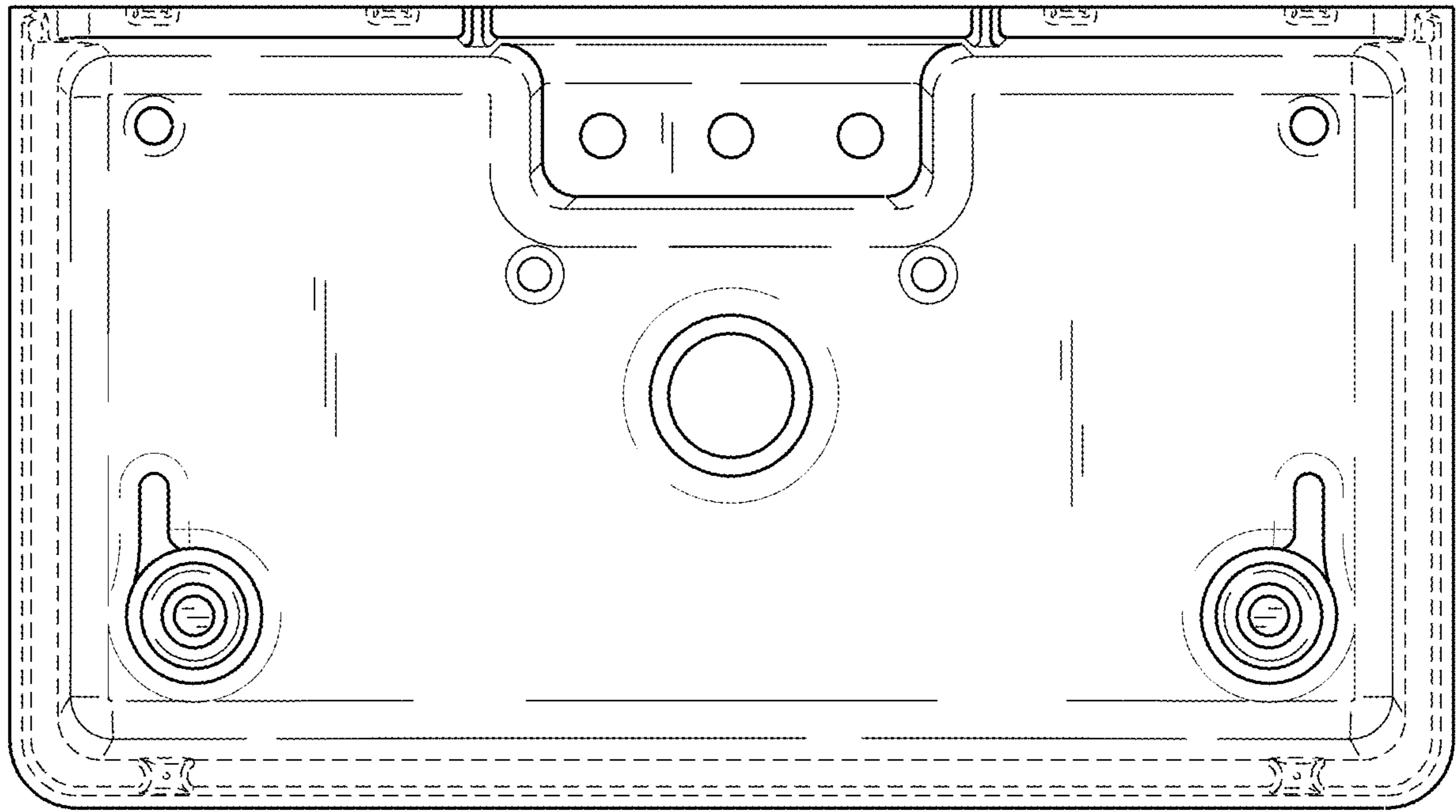


FIG. 6

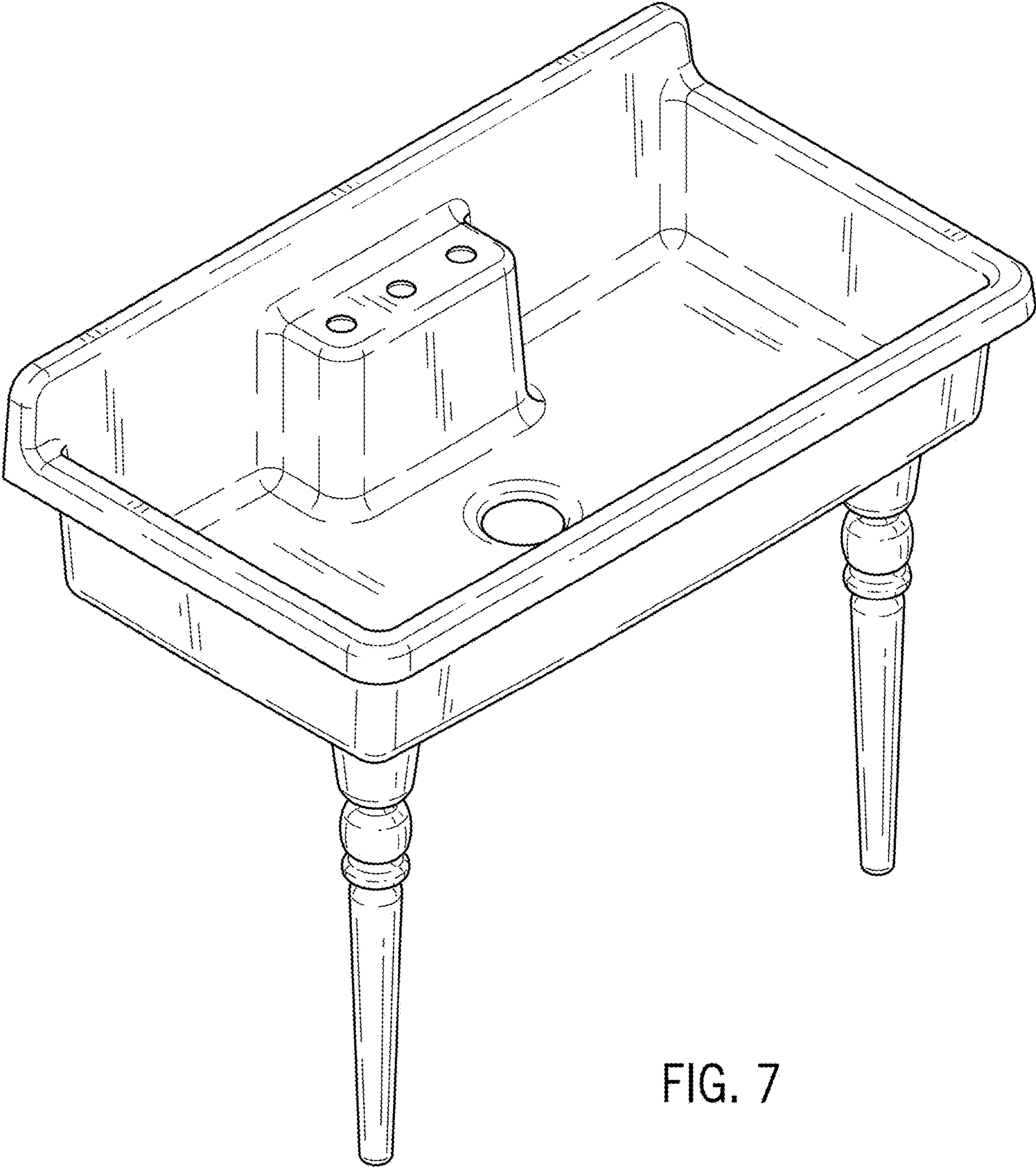


FIG. 7

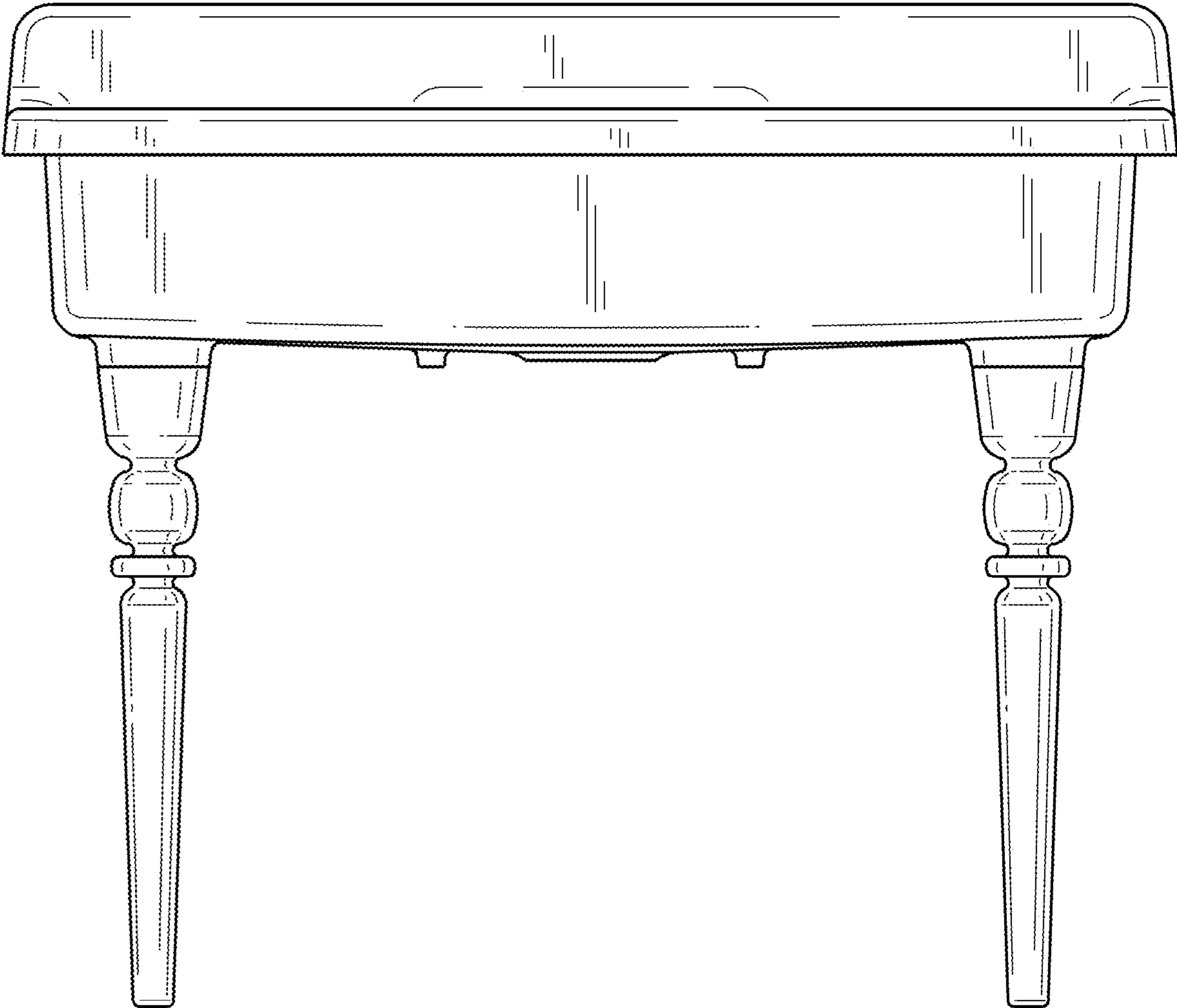


FIG. 8

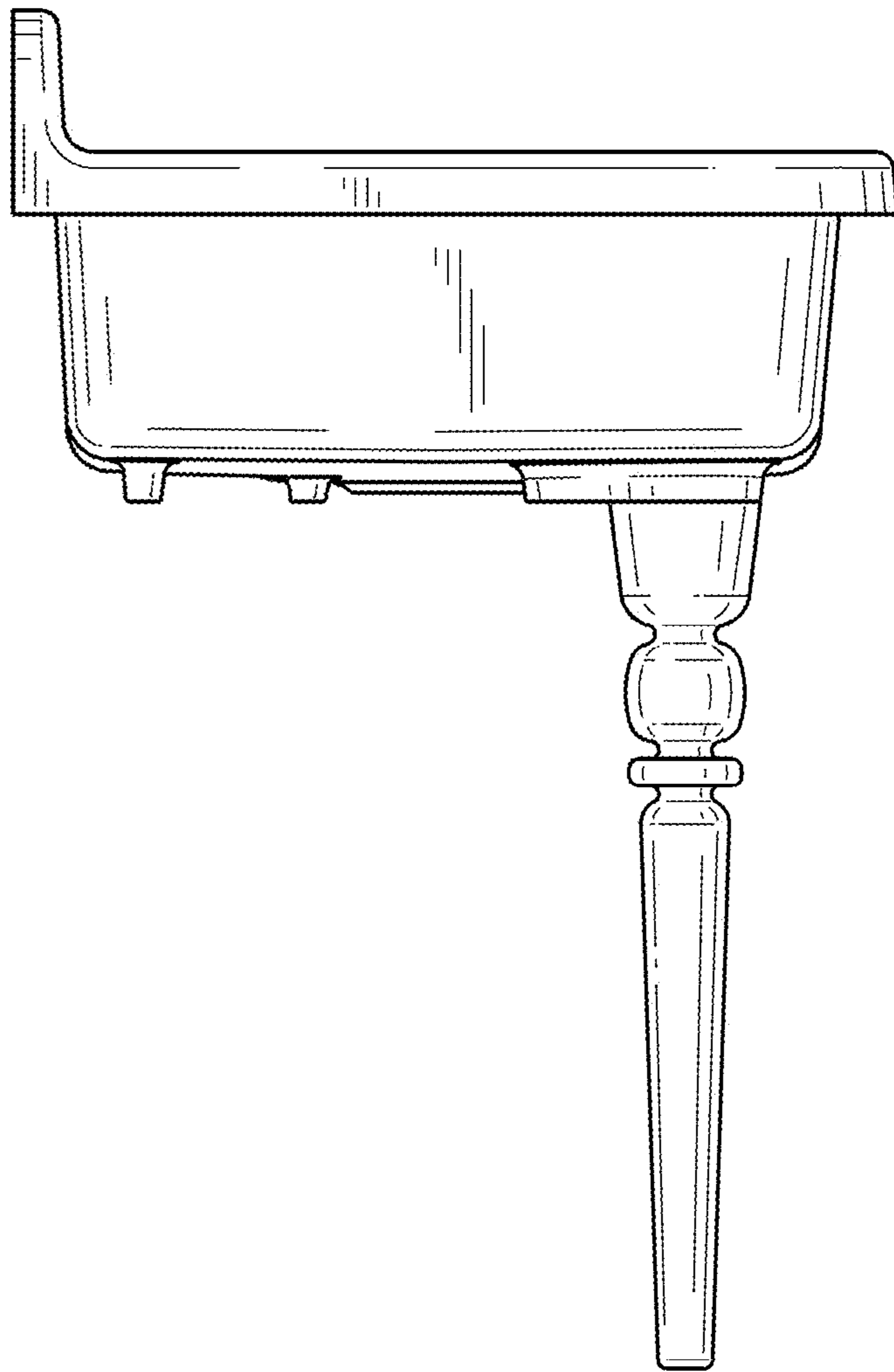


FIG. 9

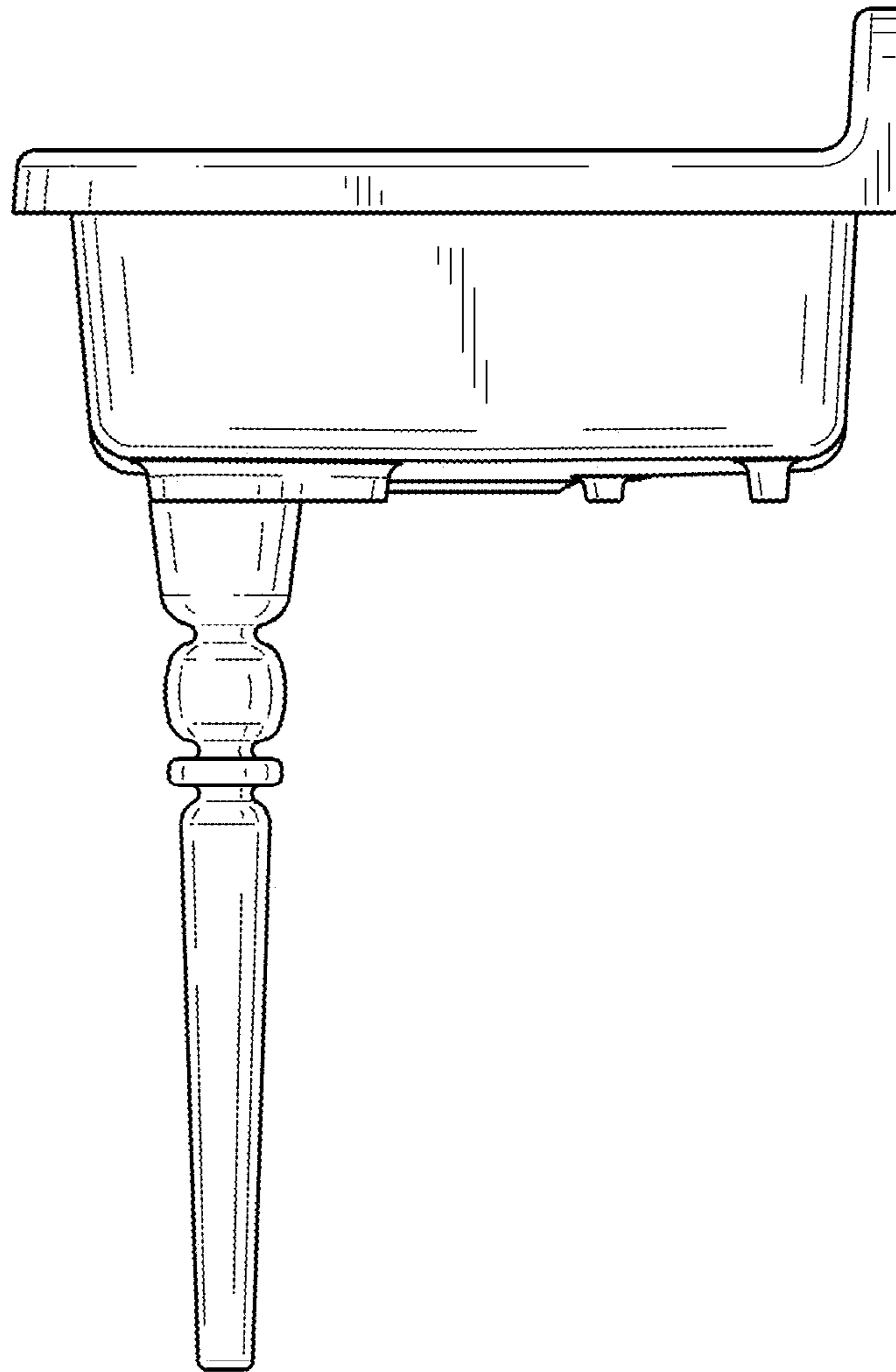


FIG. 10

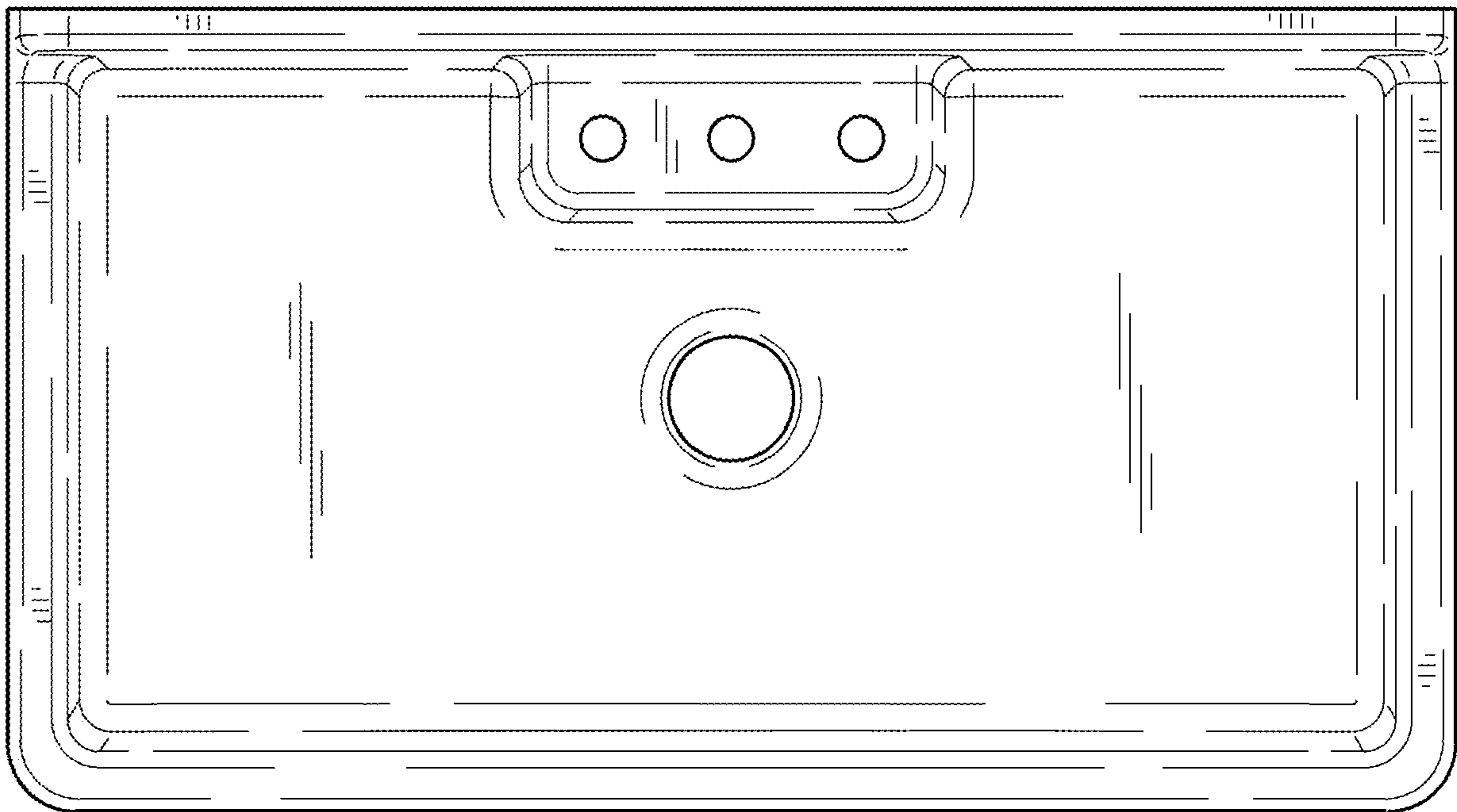


FIG. 11

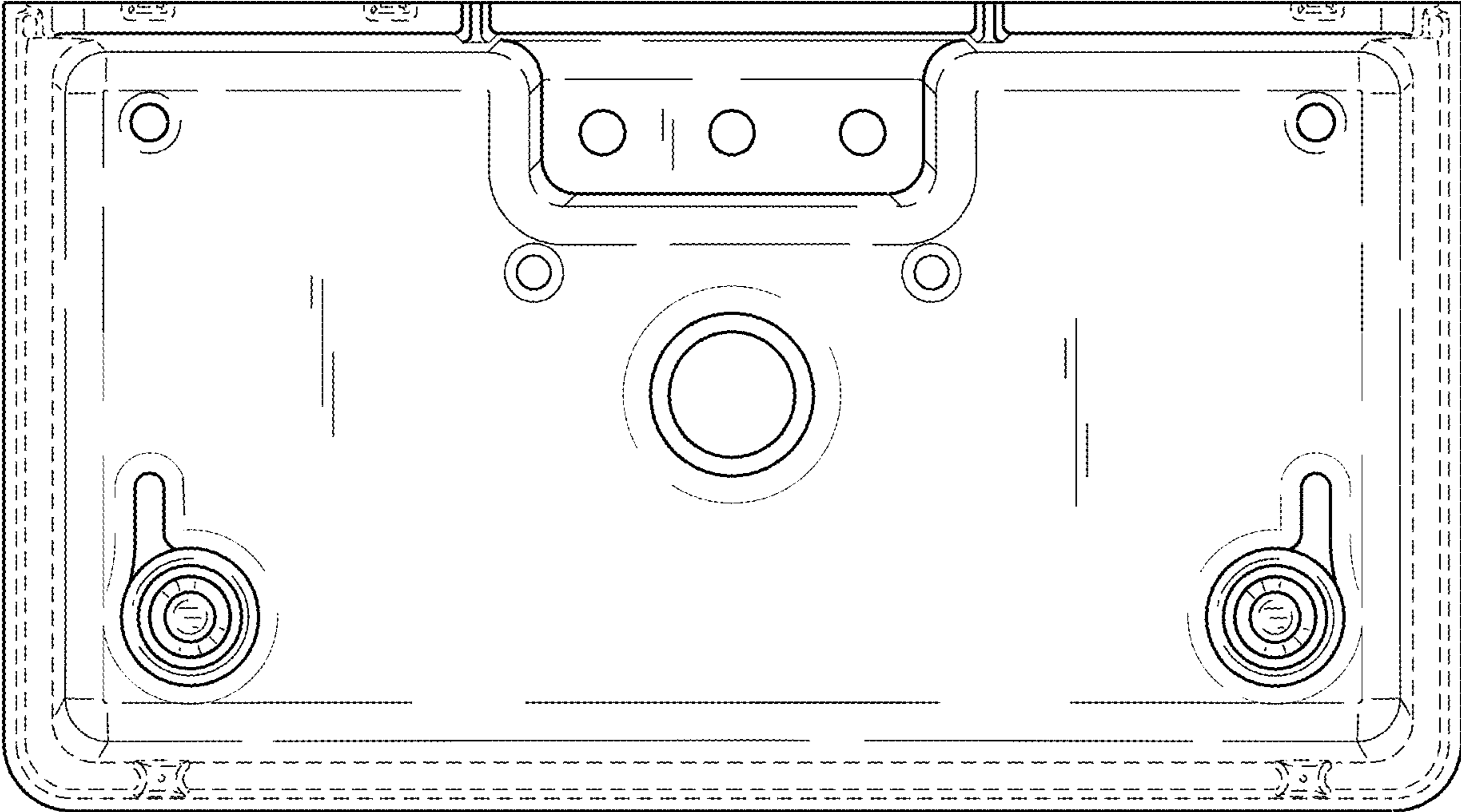


FIG. 12