



US00D879263S

(12) **United States Design Patent**
Dirand

(10) **Patent No.:** **US D879,263 S**
(45) **Date of Patent:** **** Mar. 24, 2020**

(54) **KITCHEN UNIT WITH SANITARY INSTALLATIONS**

2/02; B60N 2/22; B60N 2/44; A47F 7/145; A47F 7/0035; A47F 7/283; A47F 9/00

(71) Applicant: **OBUMEX NV**, Staden (BE)

See application file for complete search history.

(72) Inventor: **Joseph Dirand**, Paris (FR)

(56) **References Cited**

(**) Term: **15 Years**

U.S. PATENT DOCUMENTS

(21) Appl. No.: **35/504,978**

D235,241 S *	6/1975	Peters, Jr.	D6/671
D296,850 S *	7/1988	Pamio	D23/272
D661,384 S *	6/2012	Siekman	D23/271
D681,785 S *	5/2013	Siekman	D23/271
D782,224 S *	3/2017	Oleynik	D6/661.3
D801,488 S *	10/2017	Bertani	D23/272
D804,866 S *	12/2017	Price	D6/699.2

(22) Filed: **Nov. 9, 2017**

(80) **Hague Agreement Data**

Int. Filing Date: **Nov. 9, 2017**
Int. Reg. No.: **DM/101047**
Int. Reg. Date: **Nov. 9, 2017**
Int. Reg. Pub. Date: **May 25, 2018**

* cited by examiner

Primary Examiner — Khawaja Anwar

(51) **LOC (12) Cl.** **23-02**

(57) **CLAIM**

(52) **U.S. Cl.**

The ornamental design for a kitchen unit with sanitary installations, as shown and described.

USPC **D23/271**

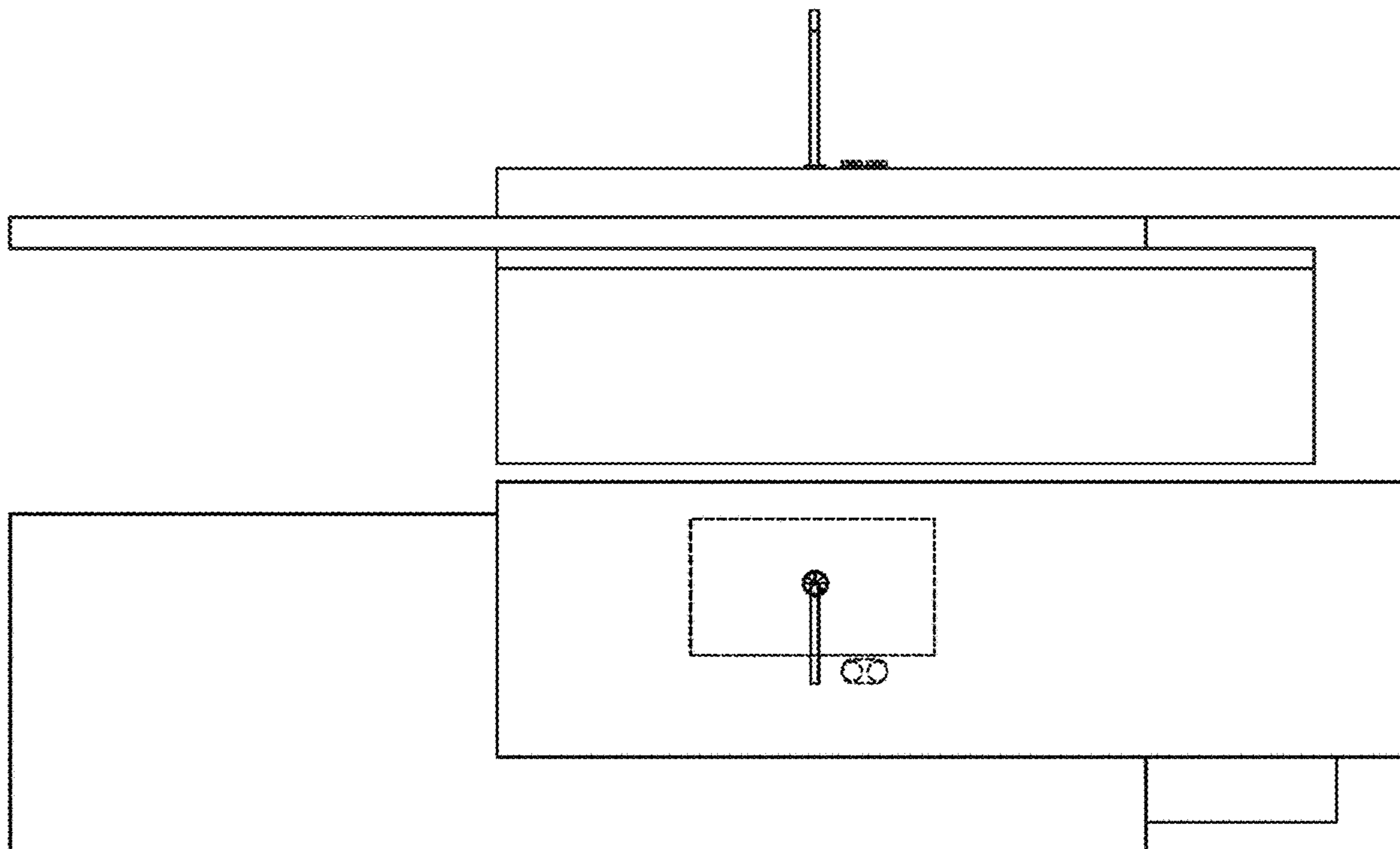
DESCRIPTION

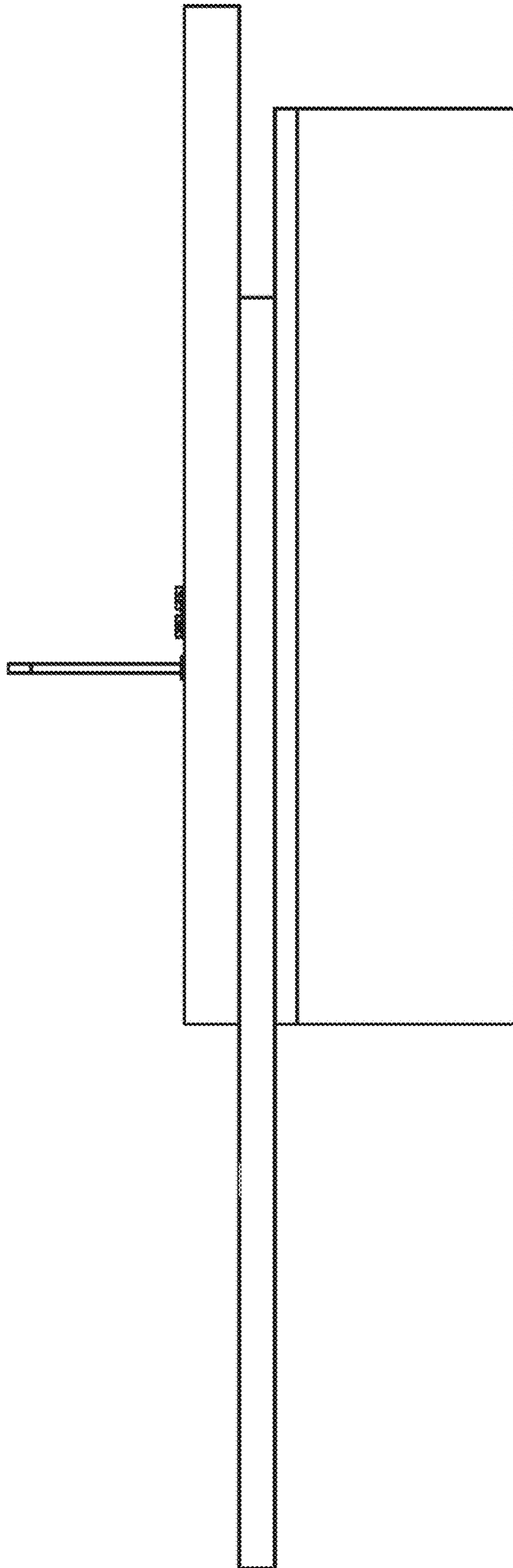
(58) **Field of Classification Search**

USPC D23/270, 271, 272, 284, 285, 286, 287, D23/292, 303, 305; D6/349, 350, 364, D6/365, 366, 367, 368, 369, 374, 375, D6/390, 403, 405, 406.6, 654, 657, 699.1, D6/699.2, 699.3, 699.4, 699.5
CPC A47C 7/02; A47C 7/44; A47C 7/46; A47C 7/48; A47C 7/54; A47C 7/386; A47C 7/462; A47C 1/10; A47C 1/031; B60N

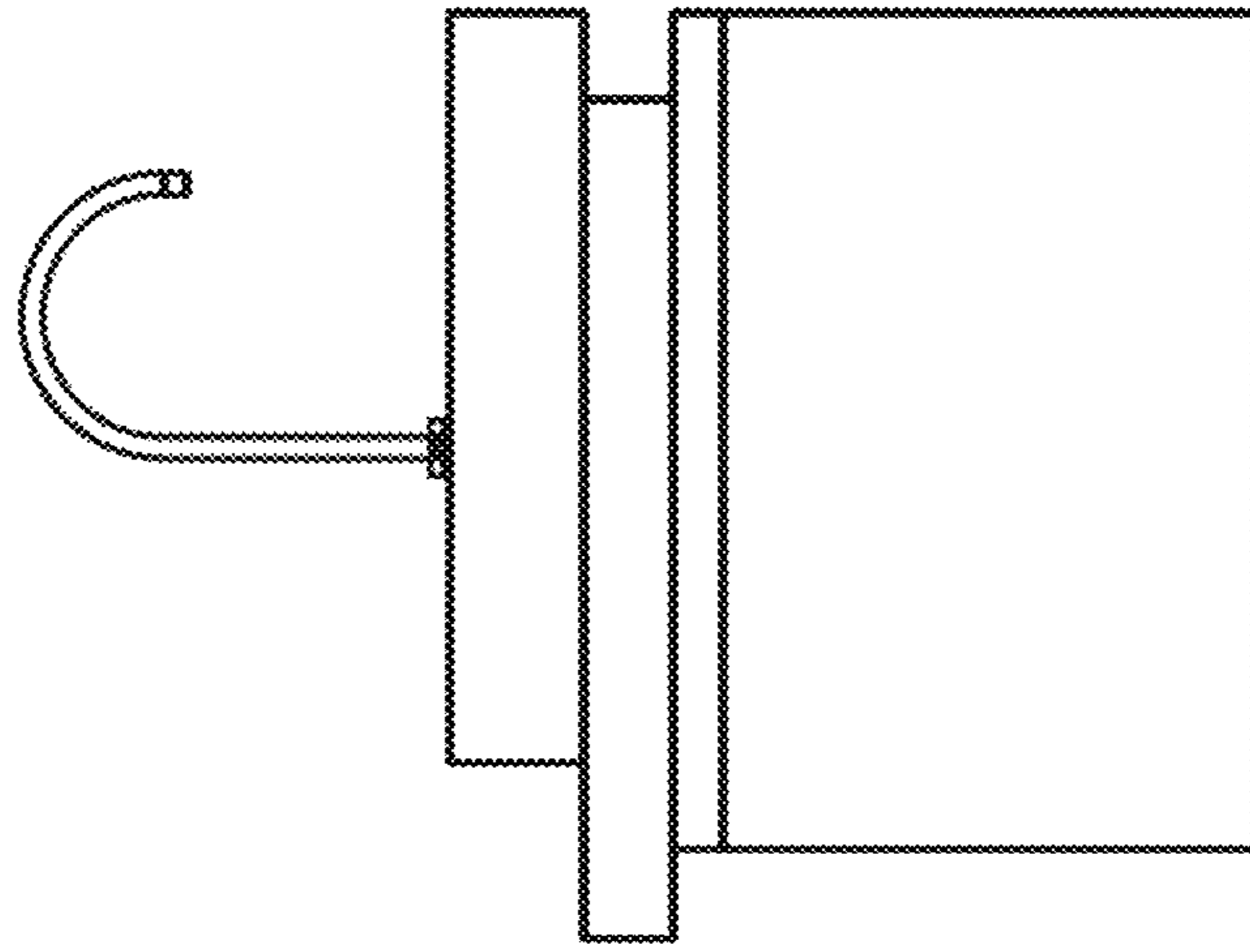
1.1 is a front view of a kitchen unit with sanitary installations showing the new design;
1.2 is a left side view thereof; and
1.3 is a top view thereof.
The broken lines are shown for the purposes of illustrating environmental subject matter that forms no part of the claim.

1 Claim, 3 Drawing Sheets





1.1



1.2

1.3

