

US00D879262S

(12) **United States Design Patent**
Miller, Jr. et al.

(10) **Patent No.:** **US D879,262 S**

(45) **Date of Patent:** **** Mar. 24, 2020**

(54) **GUTTER LEAF GUARD**

(71) Applicant: **A-M SEAMLESS GUTTERS, LLC.**,
Burton, OH (US)

(72) Inventors: **Raymond R. Miller, Jr.**, Burton, OH
(US); **Aden R. Miller**, Windsor, OH
(US)

(73) Assignee: **A-M SEAMLESS GUTTERS, LLC.**,
Burton, OH (US)

(**) Term: **15 Years**

(21) Appl. No.: **29/629,440**

(22) Filed: **Dec. 13, 2017**

(51) **LOC (12) Cl.** **23-01**

(52) **U.S. Cl.**

USPC **D23/267**

(58) **Field of Classification Search**

USPC D23/259–260, 267, 209, 365; D25/119,
D25/121–124, 133, 139, 141–142;
52/11–16

CPC ... E04D 13/076; E04D 13/072; E04D 13/064;
E04D 13/068; E04D 13/158; E04D
13/0641; E04D 13/0459; E04D 13/0477;
E04D 13/0481; E04D 13/15

See application file for complete search history.

(56) **References Cited**

U.S. PATENT DOCUMENTS

5,522,183	A *	6/1996	Allen	E04D 13/076 52/11
D460,197	S *	7/2002	Stringer	D25/48.8
D523,538	S *	6/2006	Brochu	D23/267
7,908,797	B2 *	3/2011	Graves	E04D 13/076 52/12
D651,292	S *	12/2011	Geers	D23/267
8,316,585	B2 *	11/2012	Brochu	E04D 13/076 52/11
D672,016	S *	12/2012	Walker	D23/267
8,322,082	B2 *	12/2012	Neumann	E04D 13/076 248/48.1

D677,405	S *	3/2013	Landis	D25/121
8,434,269	B1 *	5/2013	Brochu	E04D 13/076 52/12
D683,827	S *	6/2013	Ealer, Sr.	D23/267
8,578,658	B2	11/2013	Snell		
8,650,803	B2 *	2/2014	Robins	E04D 13/076 248/48.1
D719,648	S *	12/2014	Moody	D23/267

(Continued)

OTHER PUBLICATIONS

FlexxPoint Gutter Cover System; Amazon Date First Available Jul. 3, 2013; [Visited Online Aug. 15, 2019] https://www.amazon.com/FlexxPoint-Gutter-System-Residential-Guards/dp/B00DR26N00/ref=pd_sbs_60_9?encoding=UTF8&pd_rd_i=B00DR26N00&pd_rd_r=437deccc-4e67-43ba-ac664-f26a10bf657e&pd_rd_w=Wa2a5&pd_rd_wg=JWfhl (Year: 2013).*

(Continued)

Primary Examiner — Amy C Wierenga

(74) *Attorney, Agent, or Firm* — Fay Sharpe LLP

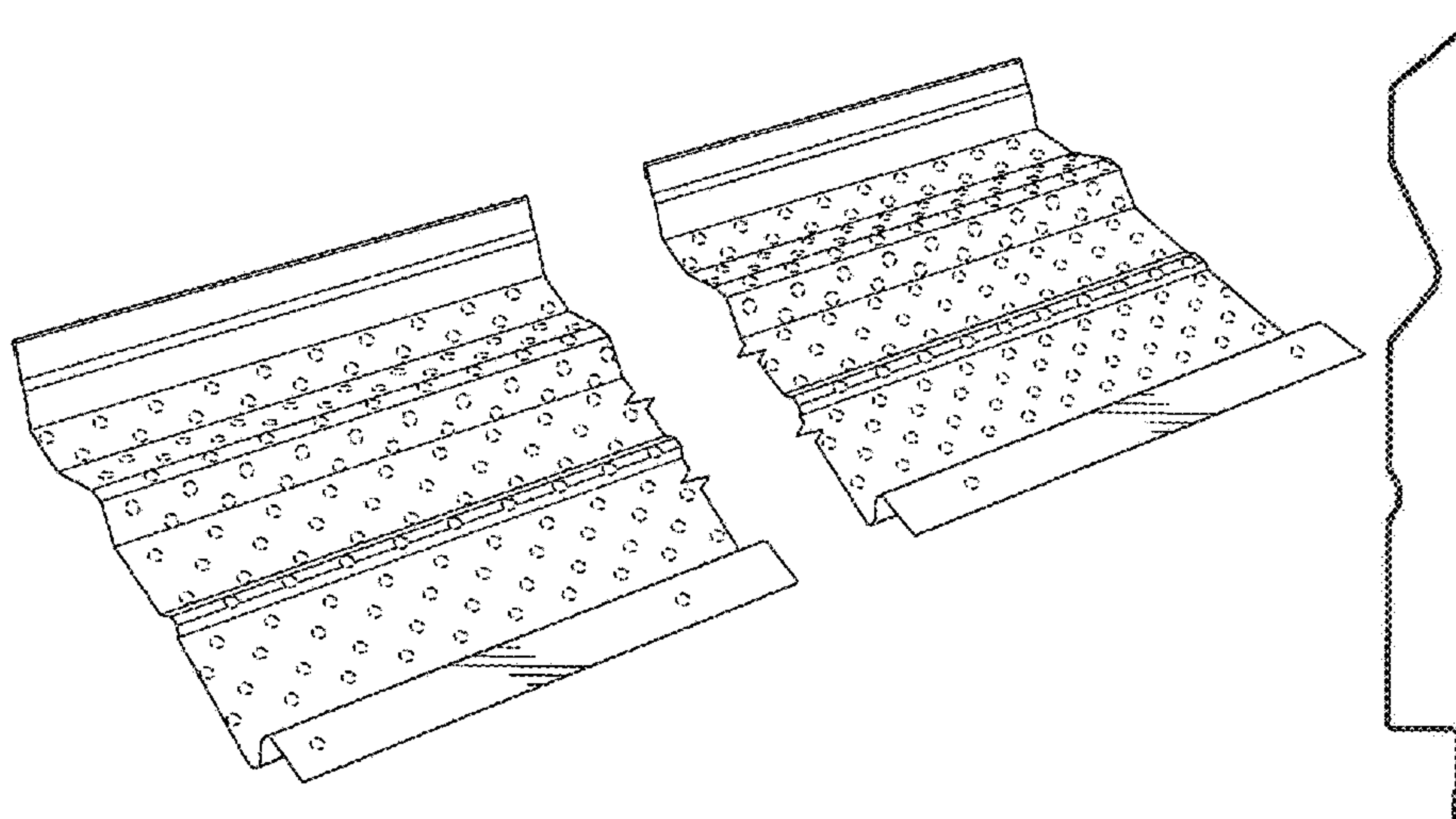
(57) **CLAIM**

The ornamental design for a gutter leaf guard, as shown and described.

DESCRIPTION

FIG. 1 is a perspective view of the gutter leaf guard; FIG. 2 is a top view thereof; FIG. 3 is a first side end view thereof the opposed end being a mirror image of FIG. 3; FIG. 4 is a front plan view thereof; FIG. 5 is a bottom view thereof; and, FIG. 6 is a rear plan view thereof. The dashed circular elements represent holes in the gutter leaf guard but form no part of the claimed invention. FIGS. 1, 2, 4, 5 and 6 are shown with a symbolic break in the gutter leaf guard length. Any portion of the article between the break forms no part of the claim.

1 Claim, 3 Drawing Sheets



(56)

References Cited

U.S. PATENT DOCUMENTS

D722,682	S *	2/2015	Fox	D23/267
9,163,406	B1 *	10/2015	Ealer, Sr.	E04D 13/076
9,394,694	B2 *	7/2016	Iannelli	E04D 13/064
D770,602	S	11/2016	Ealer, Sr.		
D782,624	S *	3/2017	Haendel	D23/267
D819,790	S *	6/2018	Killian, Jr.	D23/267
2004/0187394	A1 *	9/2004	Brochu	E04D 13/076
					52/12
2009/0108144	A1 *	4/2009	Brochu	E04D 13/076
					248/48.1
2011/0041414	A1	2/2011	Bell		
2011/0138697	A1	6/2011	Martin		
2011/0138698	A1 *	6/2011	Neumann	E04D 13/076
					52/12
2012/0151849	A1 *	6/2012	Brochu	E04D 3/364
					52/12
2012/0272586	A1 *	11/2012	Beck	E04D 13/076
					52/12
2013/0091780	A1 *	4/2013	Robins	E04D 13/076
					52/12
2015/0020462	A1 *	1/2015	Iannelli	E04D 13/064
					52/12
2016/0201329	A1 *	7/2016	Ianelli	E04D 13/076
					52/12
2018/0274239	A1 *	9/2018	Cullen	E04D 13/076
2019/0218782	A1 *	7/2019	Miller, Jr.	E04D 13/076

OTHER PUBLICATIONS

A-M Aluminum Gutter Guard 5"; Amazon; Date First Available May 14, 2017; [Visited Online Aug. 15, 2019] (Year: 2017).*

A-M Seamless Gutters LLC website; Our Gutter Covers; <http://amgutterguards.com/index.php/test/> (Year: 2019).*

* cited by examiner

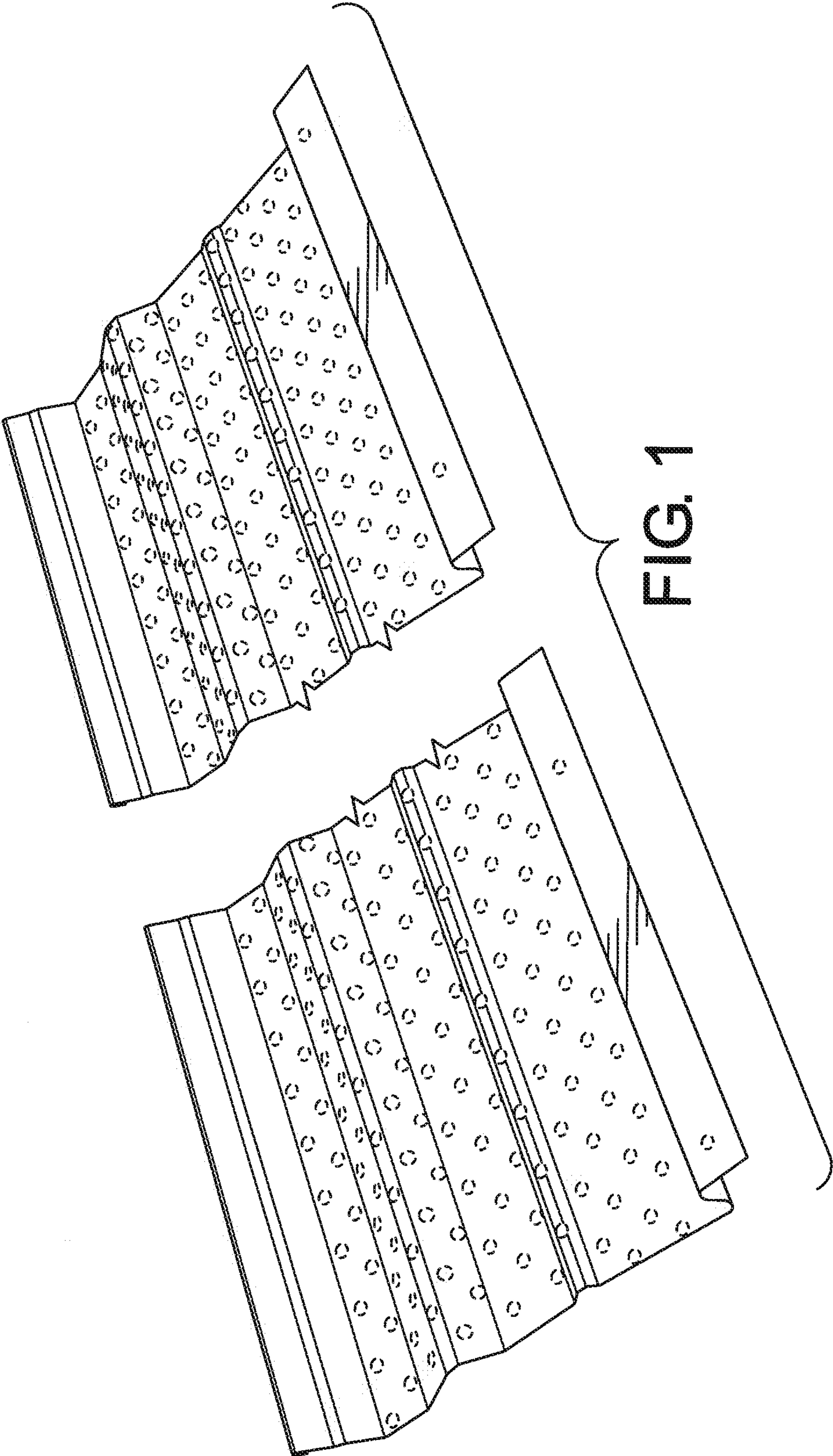


FIG. 1

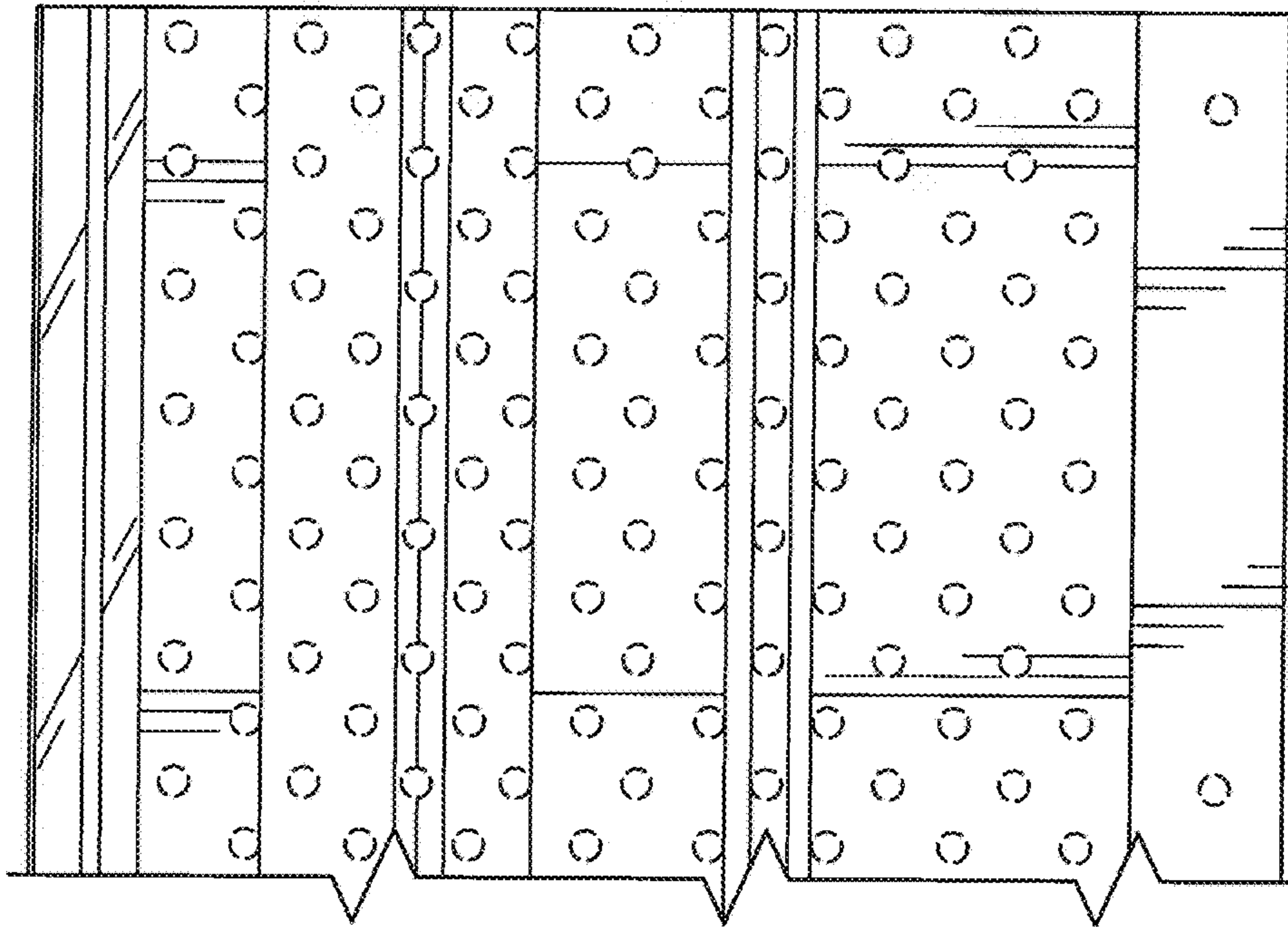


FIG. 2

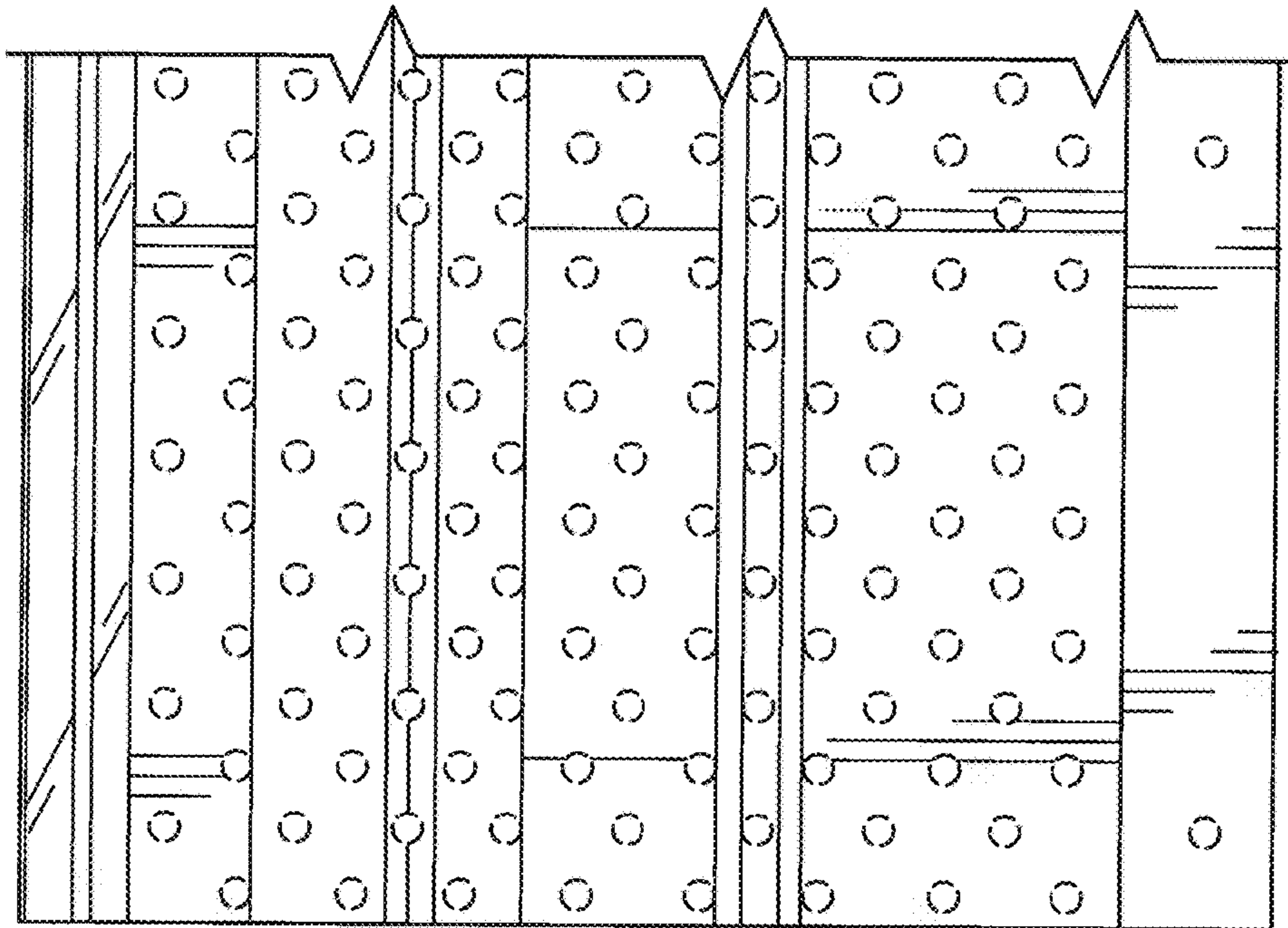


FIG. 3

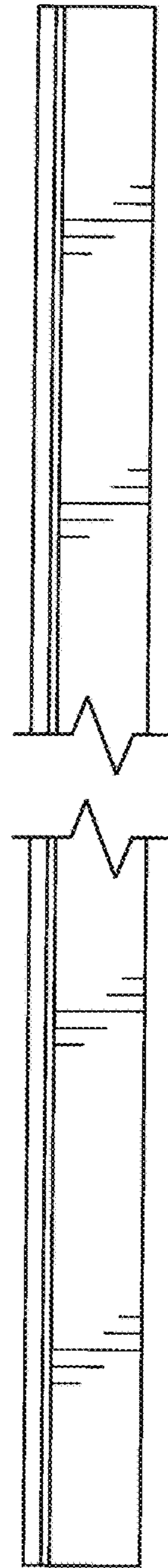


FIG. 4



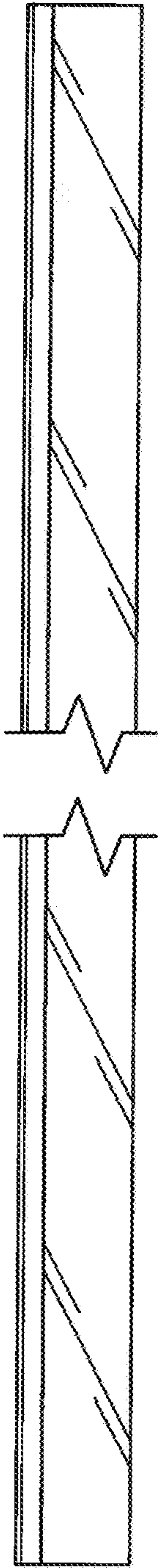


FIG. 6

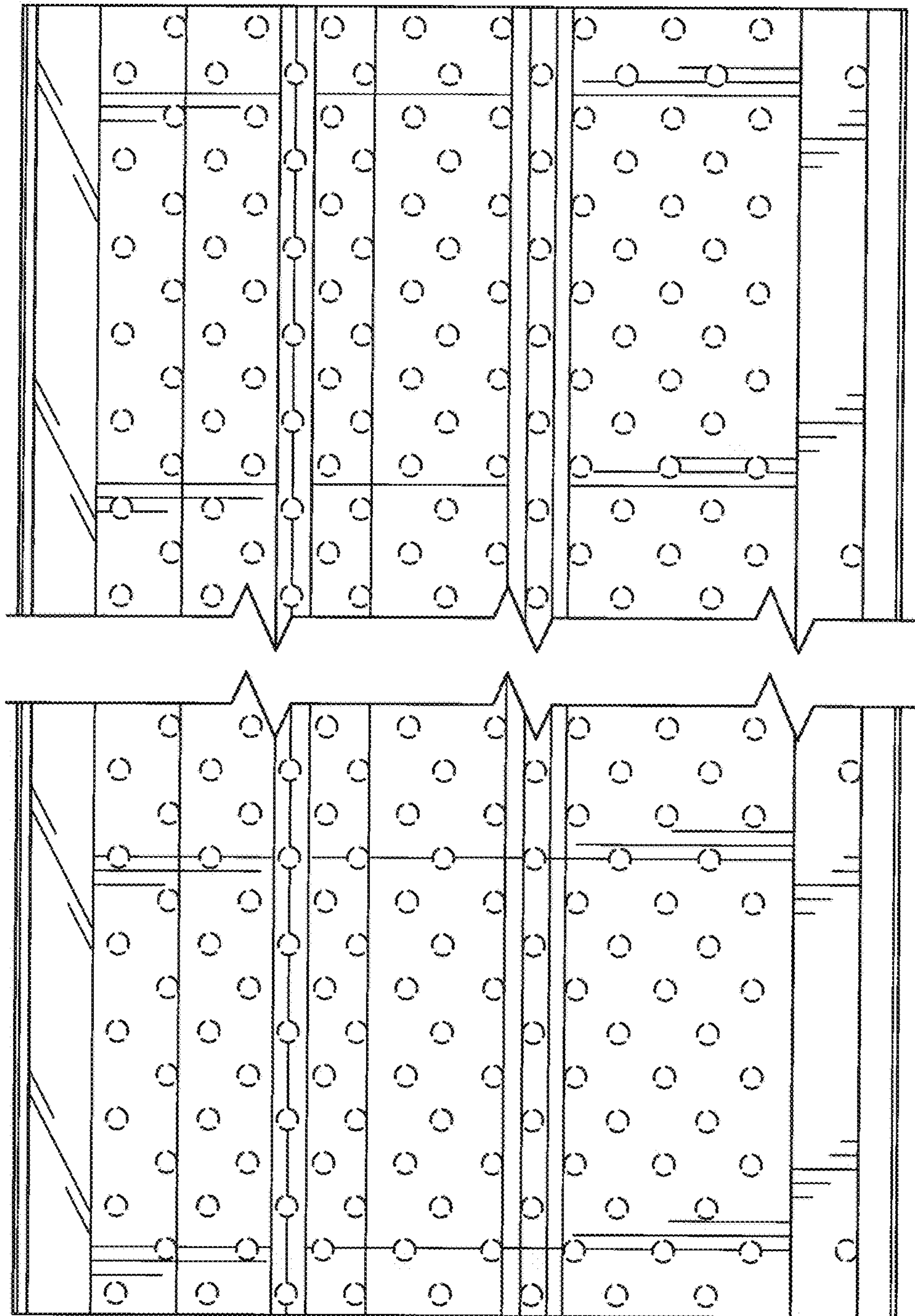


FIG. 5