



US00D879260S

(12) **United States Design Patent**
Vaz et al.

(10) **Patent No.:** **US D879,260 S**

(45) **Date of Patent:** **** *Mar. 24, 2020**

- (54) **FEMALE HOSE COUPLING**
- (71) Applicant: **TEKNOR APEX COMPANY,**
Pawtucket, RI (US)
- (72) Inventors: **David Vaz,** Riverside, RI (US); **Mark Buchan,** Norton, MA (US)
- (73) Assignee: **TEKNOR APEX COMPANY,**
Pawtucket, RI (US)
- (*) Notice: This patent is subject to a terminal disclaimer.
- (**) Term: **15 Years**
- (21) Appl. No.: **29/657,900**
- (22) Filed: **Jul. 26, 2018**
- (51) **LOC (12) Cl.** **23-01**
- (52) **U.S. Cl.**
USPC **D23/262**
- (58) **Field of Classification Search**
USPC D23/259, 262-266, 245, 213, 233, 235;
285/197-200; 137/315.23, 798;
138/109-110, 155, 96 T; D13/133, 151;
D8/382, 396
CPC F16L 37/252; F16L 43/00
See application file for complete search history.

- D596,272 S * 7/2009 Price D23/259
- D648,006 S * 11/2011 Morishita D23/259
- D651,696 S * 1/2012 Giordano D23/262
- D725,750 S * 3/2015 Mezzalira D23/259
- D736,357 S 8/2015 Melo et al.
- D736,358 S 8/2015 Melo et al.
- D736,359 S 8/2015 Melo et al.
- D738,471 S 9/2015 Melo et al.
- D757,233 S 5/2016 Vaz et al.
- D760,363 S * 6/2016 Yang D23/262

(Continued)

Primary Examiner — Eric L Goodman
Assistant Examiner — Amy C Wierenga
 (74) *Attorney, Agent, or Firm* — Hudak, Shunk & Farine Co. LPA

(57) **CLAIM**

An ornamental design for a female hose coupling, as shown and described.

DESCRIPTION

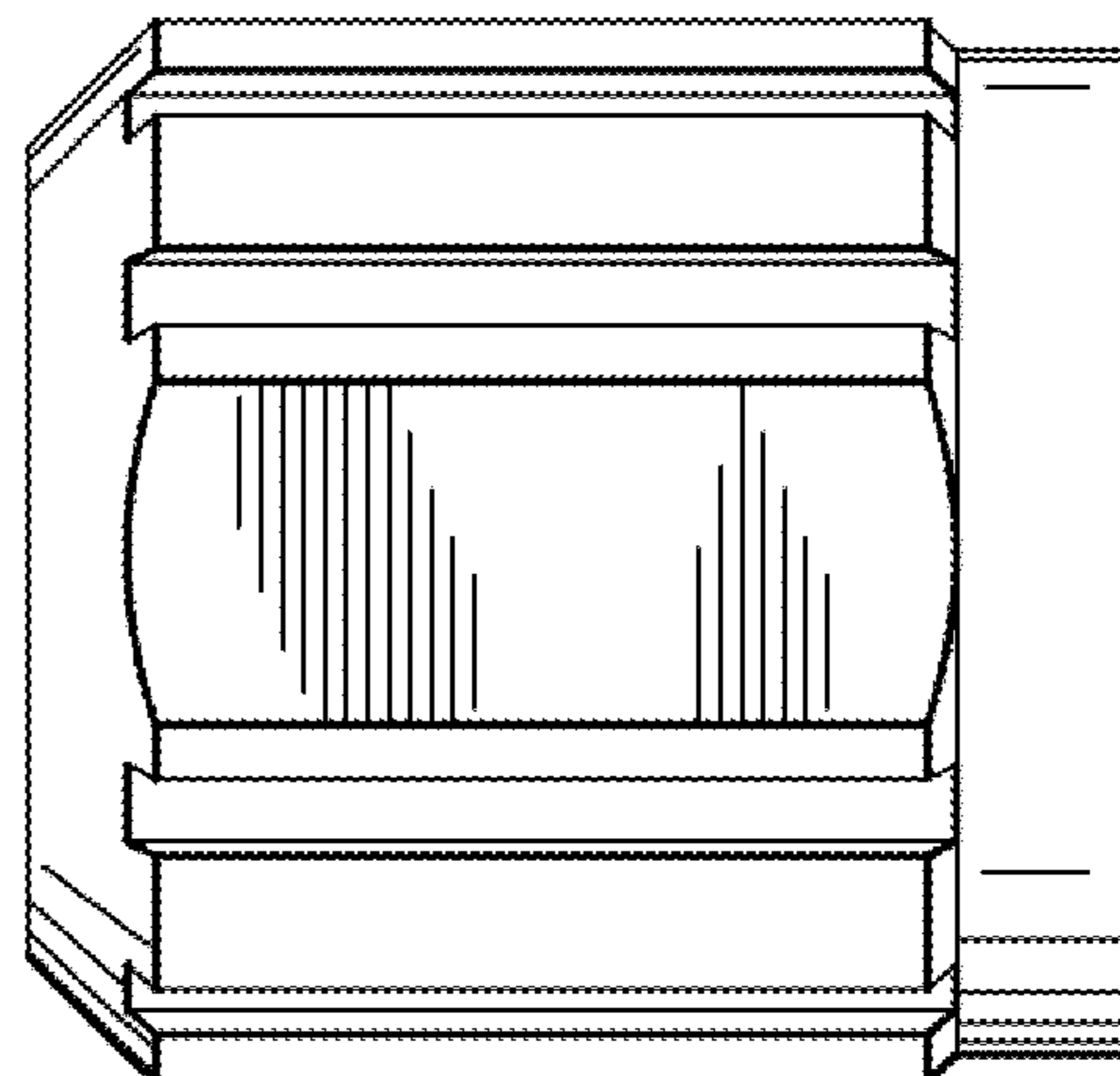
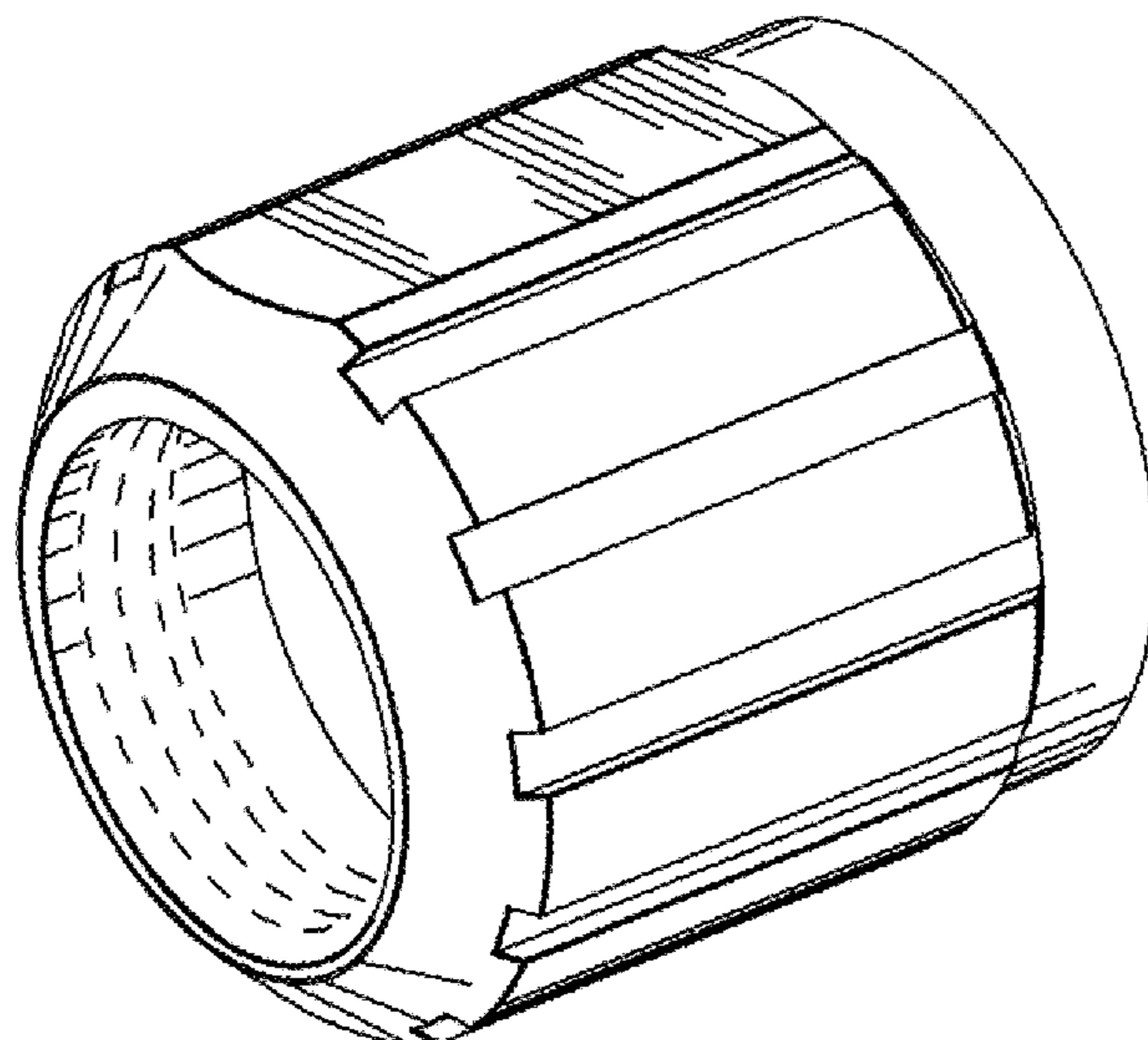
FIG. 1 is a front perspective view of a female hose coupling; FIG. 2 is a front perspective view of a female hose coupling rotated 90° on the longitudinal axis of the coupling from the view shown in FIG. 1; FIG. 3 is a side view of a female hose coupling; FIG. 4 is a side view of a female hose coupling rotated 90° on the longitudinal axis of the coupling from the view shown in FIG. 3; FIG. 5 is a front view of a female hose coupling; FIG. 6 is a rear view of a female hose coupling; FIG. 7 is a rear perspective view of a female hose coupling; and, FIG. 8 is a rear perspective view of a female hose coupling rotated 90° on the longitudinal axis of the coupling from the view shown in FIG. 7. Broken lines are included for the purpose of illustrating portions of the female hose coupling that form no part of the claimed design.

1 Claim, 1 Drawing Sheet

(56) **References Cited**

U.S. PATENT DOCUMENTS

- 4,162,092 A * 7/1979 Hayes F16L 33/224
285/148.18
- D296,581 S * 7/1988 Hattori D23/262
- 5,072,971 A * 12/1991 Roman F16L 37/252
285/402
- D441,436 S * 5/2001 Chao D23/262
- D460,740 S * 7/2002 Montena D13/154
- D460,947 S * 7/2002 Montena D13/154
- D532,947 S * 11/2006 Muscarella D32/31
- D594,937 S * 6/2009 Price D23/259



(56)

References Cited

U.S. PATENT DOCUMENTS

D777,888	S	1/2017	Vaz et al.	
D779,640	S	2/2017	Vaz et al.	
D782,623	S	3/2017	Vaz et al.	
D784,497	S	4/2017	Vaz et al.	
D785,141	S	4/2017	Vaz et al.	
D833,586	S *	11/2018	Khubani	D23/262
D834,404	S *	11/2018	Pista	D8/387
D834,687	S *	11/2018	Khubani	D23/262
D834,688	S *	11/2018	Khubani	D23/262
2008/0185842	A1 *	8/2008	Blackman	F16L 15/006 285/376
2013/0113205	A1 *	5/2013	Berardi	F16L 11/10 285/123.1

* cited by examiner

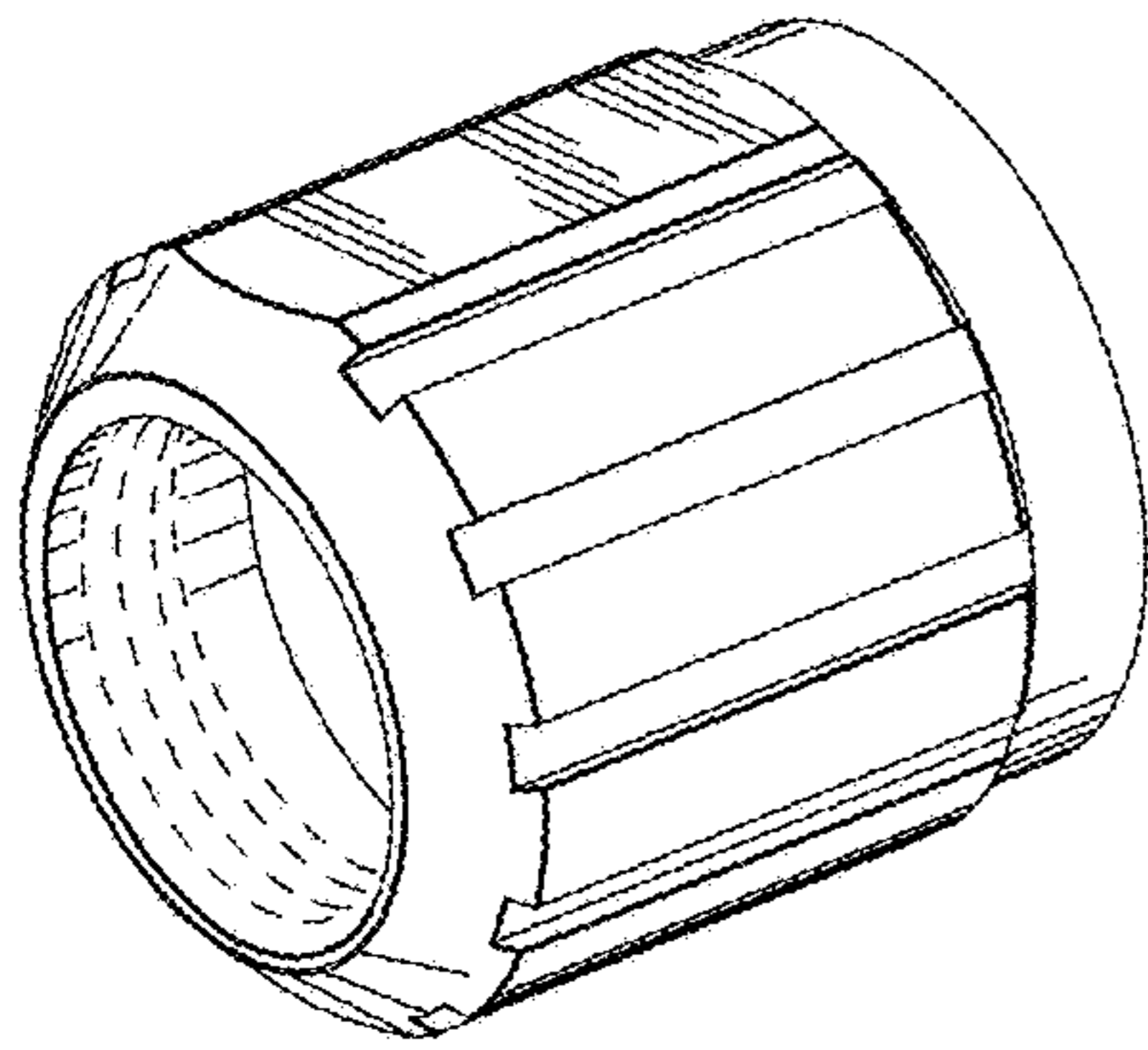


FIG. 1

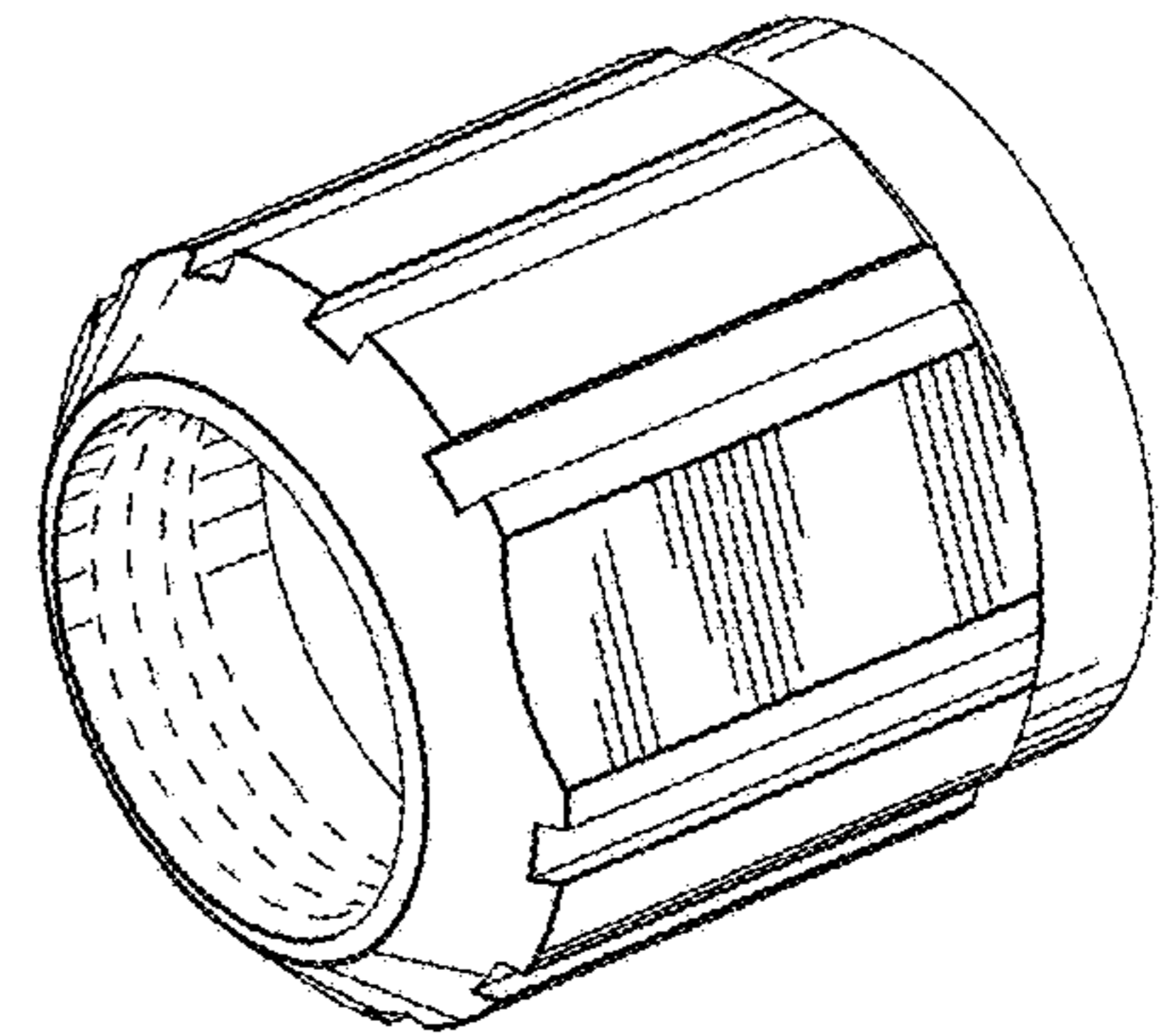


FIG. 2

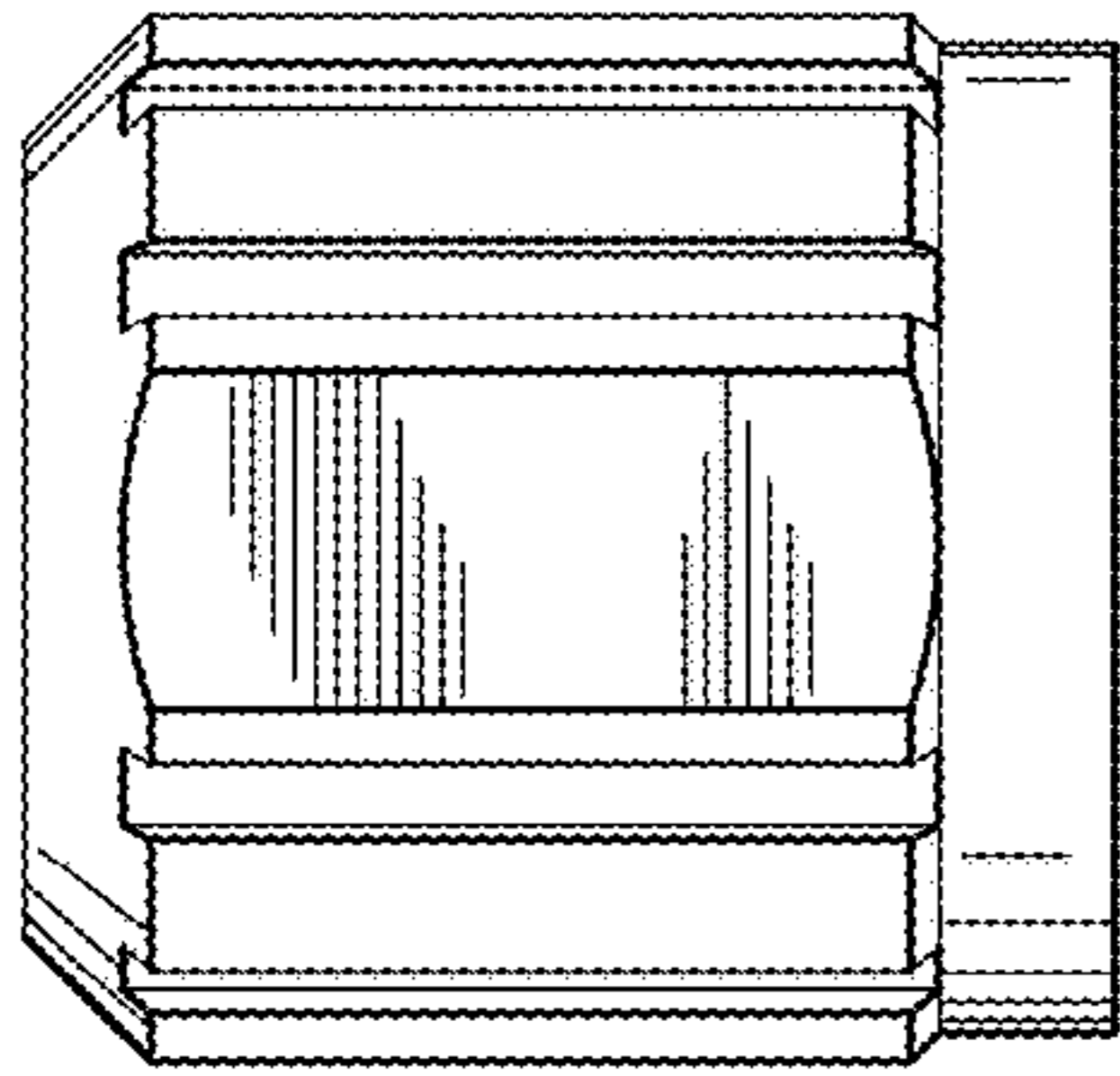


FIG. 3

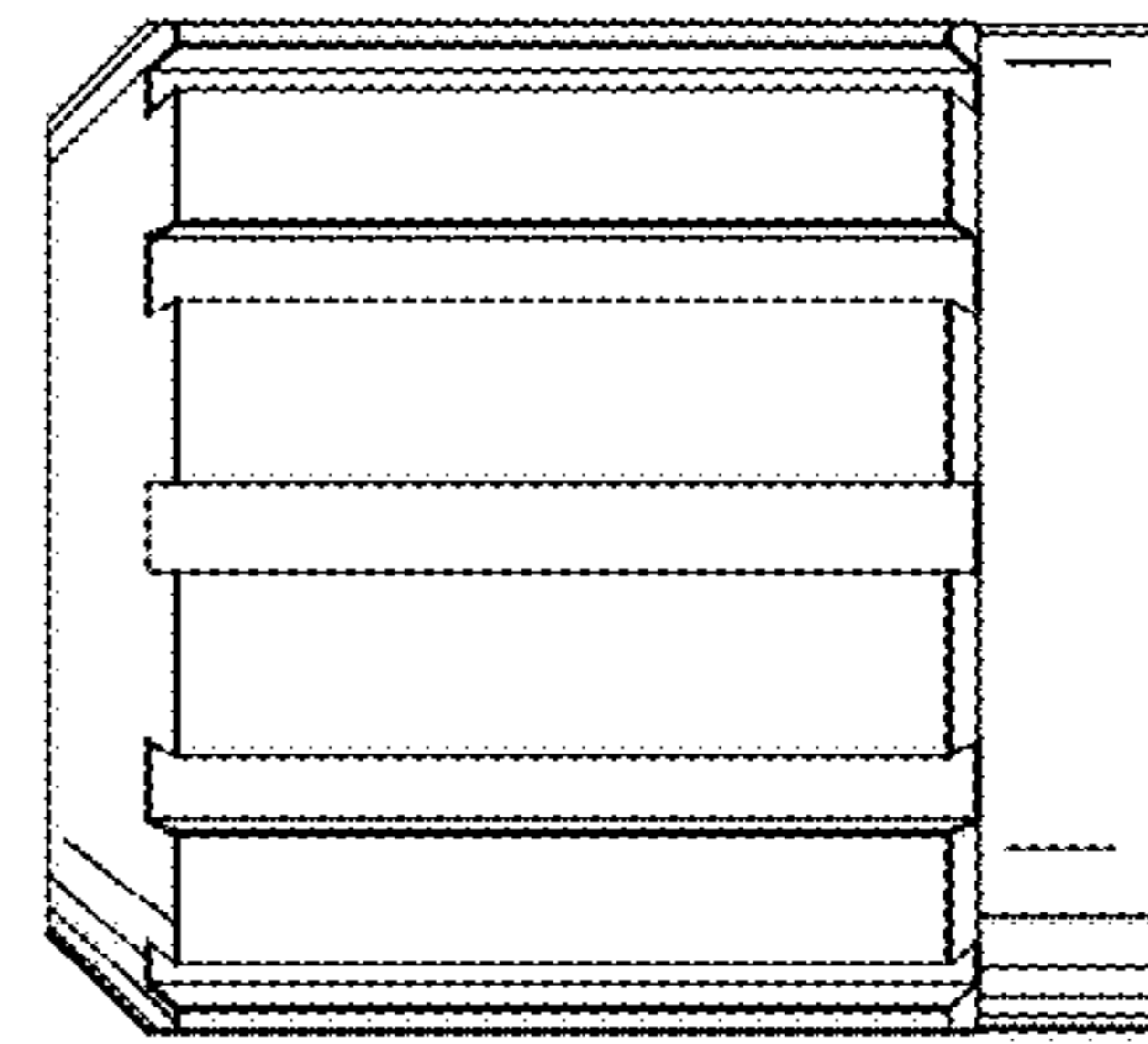


FIG. 4

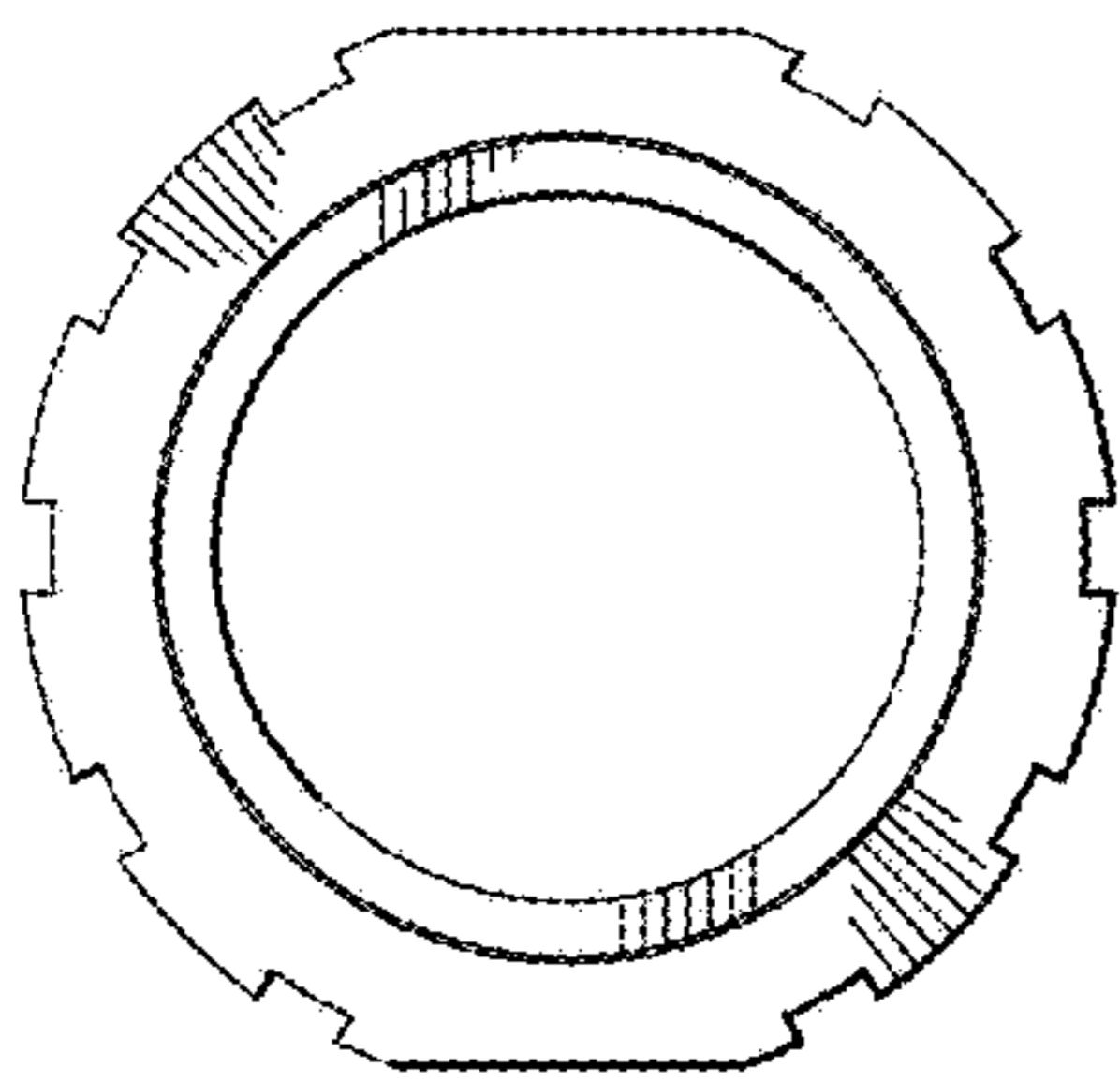


FIG. 5

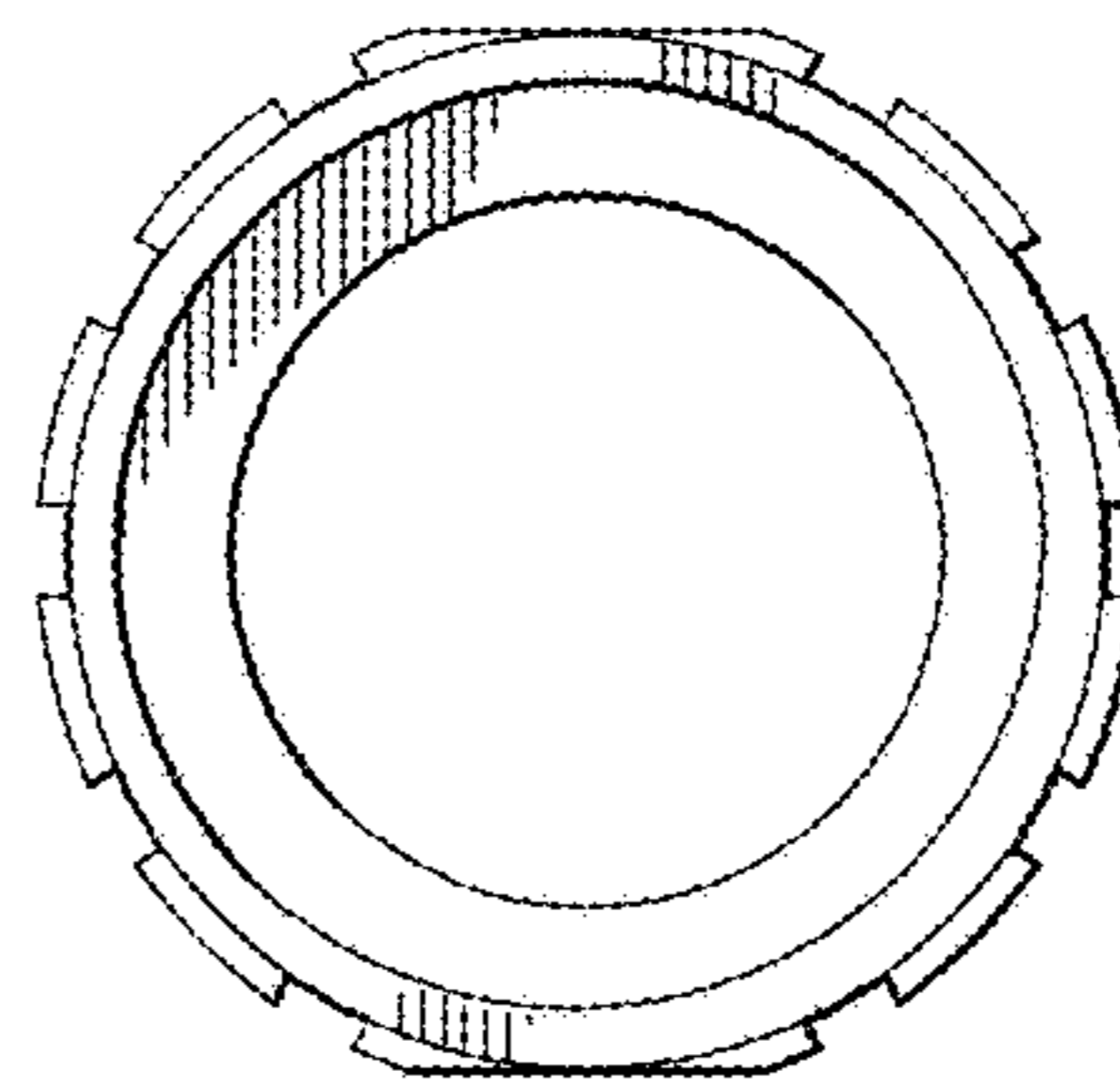


FIG. 6

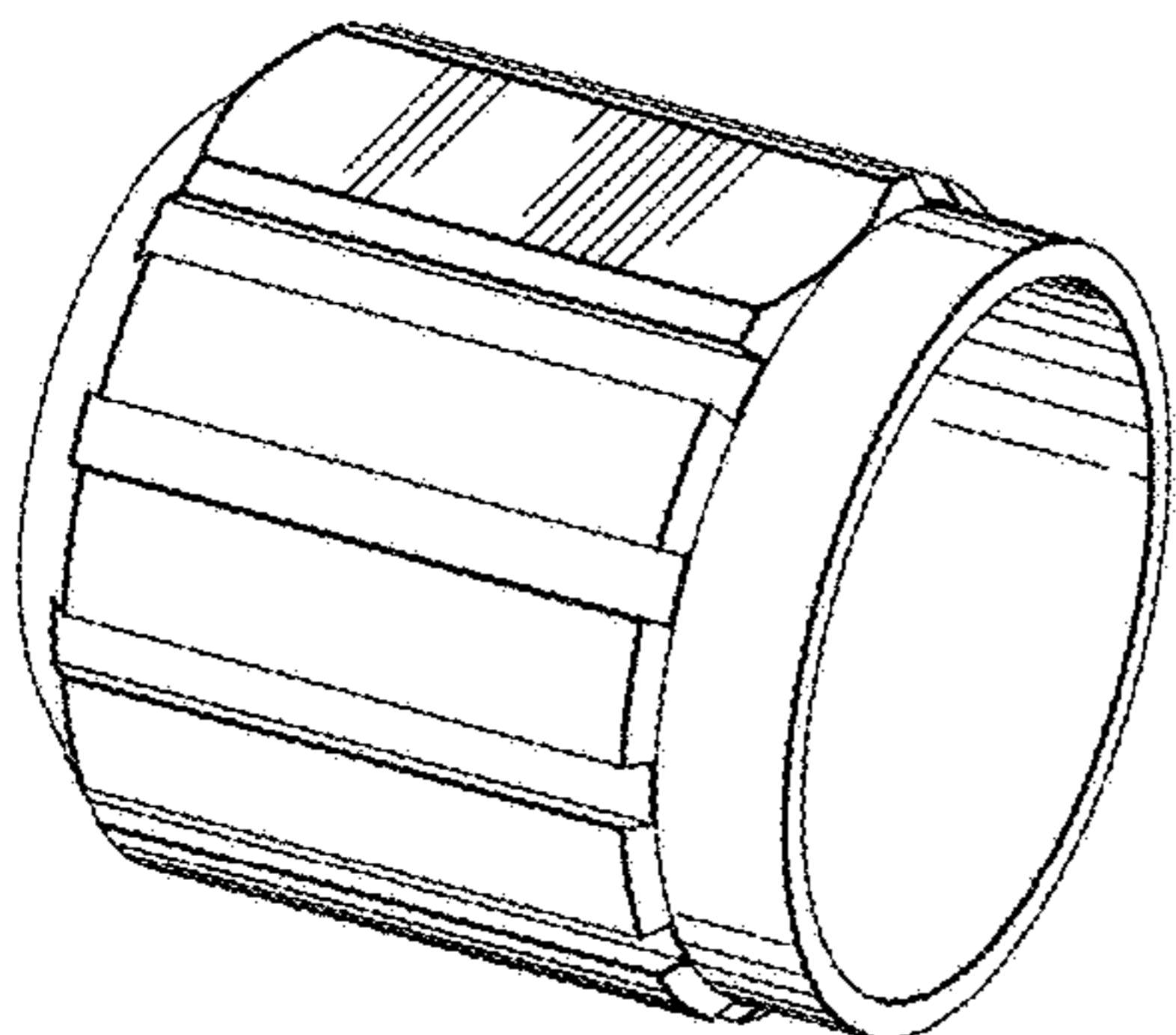


FIG. 7

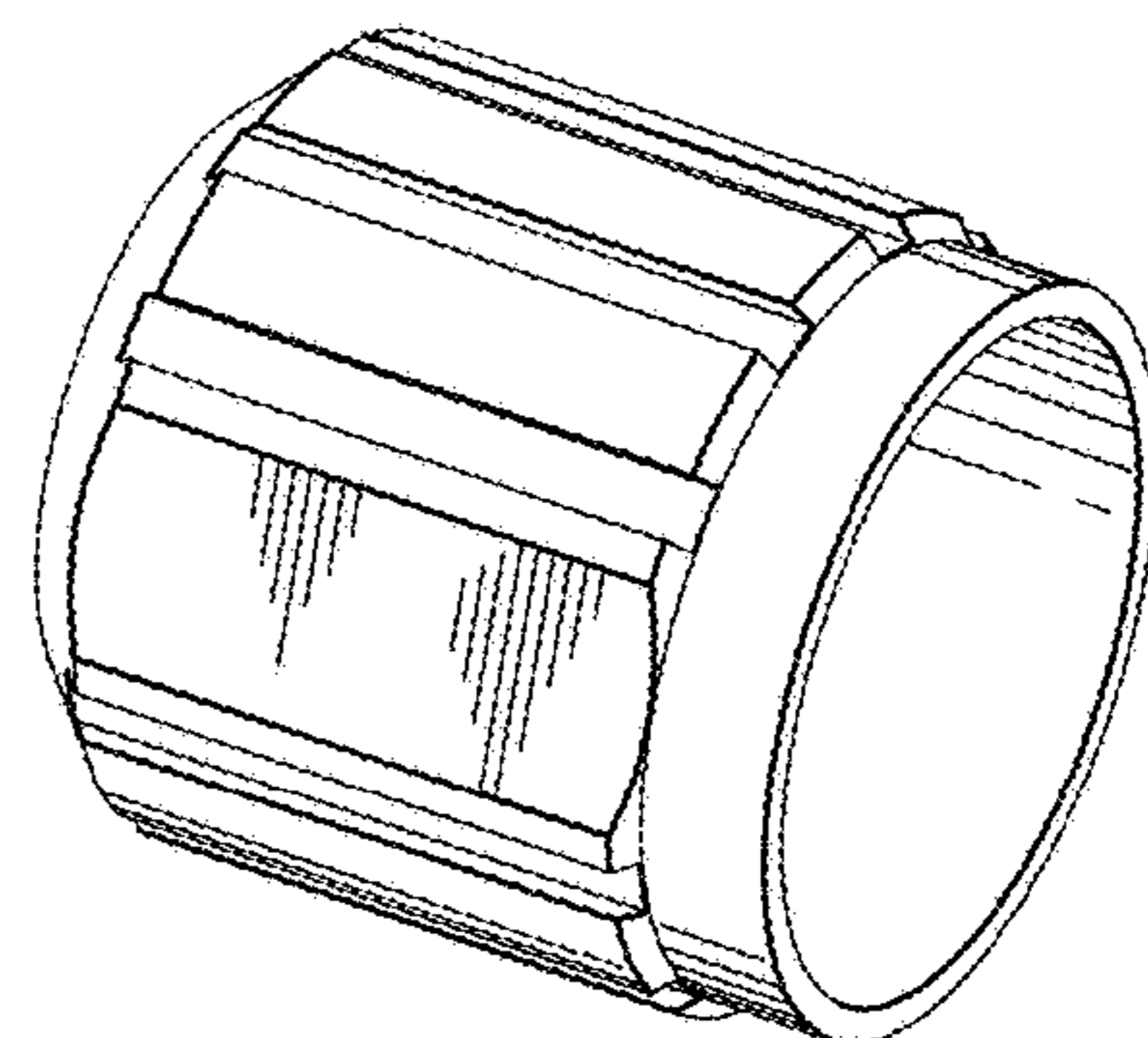


FIG. 8