



US00D879259S

(12) **United States Design Patent**
Vaz et al.

(10) **Patent No.:** **US D879,259 S**

(45) **Date of Patent:** **** *Mar. 24, 2020**

(54) **FEMALE HOSE COUPLING**

(71) Applicant: **TEKNOR APEX COMPANY,**
Pawtucket, RI (US)

(72) Inventors: **David Vaz,** Riverside, RI (US); **Mark Buchan,** Norton, MA (US)

(73) Assignee: **TEKNOR APEX COMPANY,**
Pawtucket, RI (US)

(*) Notice: This patent is subject to a terminal disclaimer.

(**) Term: **15 Years**

(21) Appl. No.: **29/657,897**

(22) Filed: **Jul. 26, 2018**

(51) **LOC (12) Cl.** **23-01**

(52) **U.S. Cl.**
USPC **D23/262**

(58) **Field of Classification Search**
USPC D23/259, 262-266, 245, 213, 233, 235;
285/197-200; 137/315.23, 798;
138/109-110, 155, 96 T; D13/133, 151;
D8/382, 396
CPC F16L 37/252; F16L 43/00
See application file for complete search history.

(56) **References Cited**

U.S. PATENT DOCUMENTS

4,162,092	A *	7/1979	Hayes	F16L 33/224 285/148.18
D296,581	S *	7/1988	Hattori	D23/262
5,072,971	A *	12/1991	Roman	F16L 37/252 285/402
D441,436	S *	5/2001	Chao	D23/262
D460,740	S *	7/2002	Montena	D13/154
D460,947	S *	7/2002	Montena	D13/154
D532,947	S *	11/2006	Muscarella	D32/31
D594,937	S *	6/2009	Price	D23/259

D596,272	S *	7/2009	Price	D23/259
D648,006	S *	11/2011	Morishita	D23/259
D651,696	S *	1/2012	Giordano	D23/262
D736,357	S	8/2015	Melo et al.		
D736,358	S	8/2015	Melo et al.		
D736,359	S	8/2015	Melo et al.		
D738,471	S	9/2015	Melo et al.		
D757,233	S	5/2016	Vaz et al.		
D760,363	S *	6/2016	Yang	D23/262
D777,888	S	1/2017	Vaz et al.		

(Continued)

Primary Examiner — Eric L Goodman

Assistant Examiner — Amy C Wierenga

(74) *Attorney, Agent, or Firm* — Hudak, Shunk & Farine Co. LPA

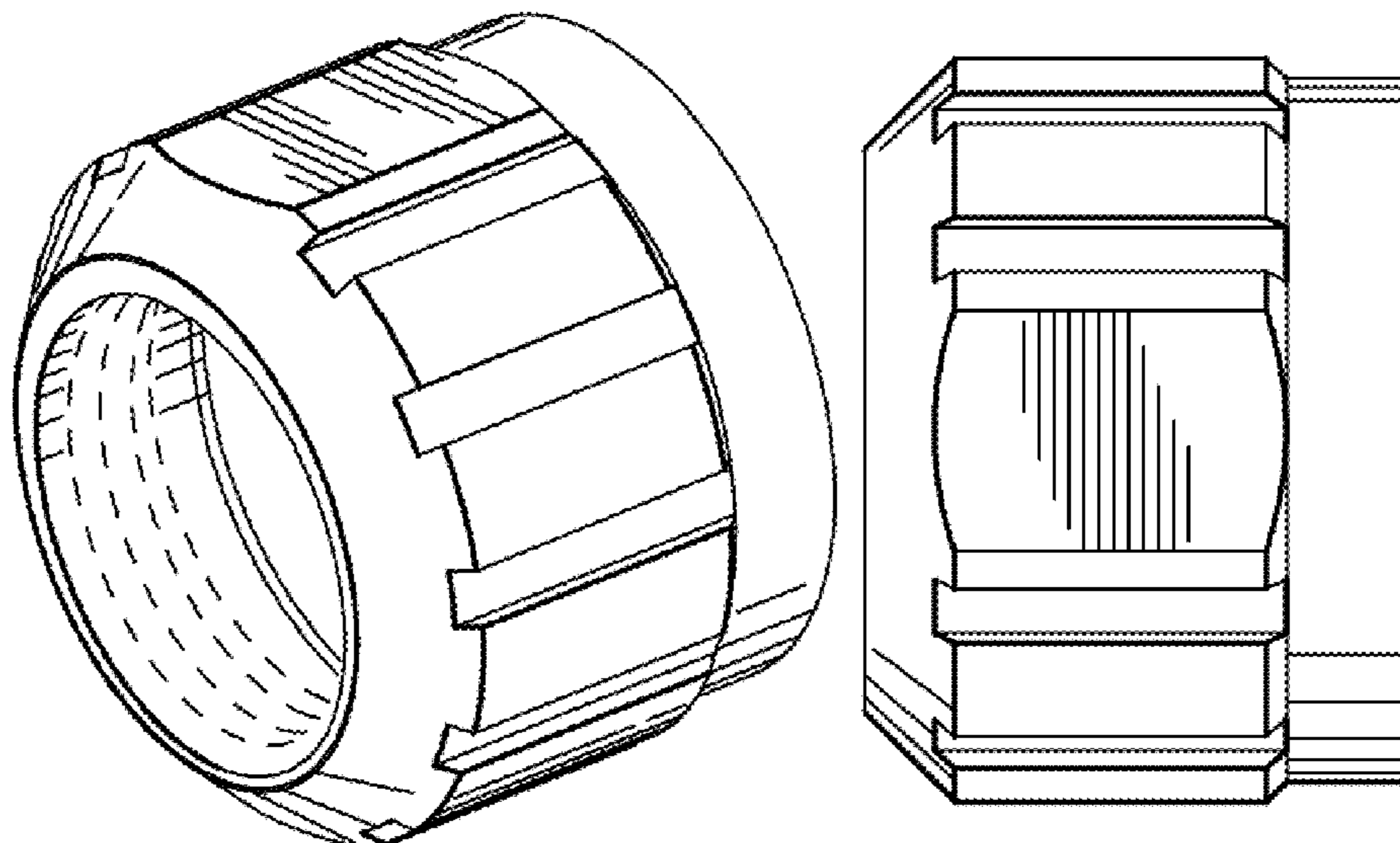
(57) **CLAIM**

An ornamental design for a female hose coupling, as shown and described.

DESCRIPTION

FIG. 1 is a front perspective view of a female hose coupling; FIG. 2 is a front perspective view of a female hose coupling rotated 90° on the longitudinal axis of the coupling from the view shown in FIG. 1; FIG. 3 is a side view of a female hose coupling; FIG. 4 is a side view of a female hose coupling rotated 90° on the longitudinal axis of the coupling from the view shown in FIG. 3; FIG. 5 is a front view of a female hose coupling; FIG. 6 is a rear view of a female hose coupling; FIG. 7 is a rear perspective view of a female hose coupling; and, FIG. 8 is a rear perspective view of a female hose coupling rotated 90° on the longitudinal axis of the coupling from the view shown in FIG. 7. Broken lines are included for the purpose of illustrating portions of the female hose coupling that form no part of the claim.

1 Claim, 1 Drawing Sheet



(56)

References Cited

U.S. PATENT DOCUMENTS

D779,640	S	2/2017	Vaz et al.	
D782,623	S	3/2017	Vaz et al.	
D784,497	S	4/2017	Vaz et al.	
D785,141	S	4/2017	Vaz et al.	
D833,586	S *	11/2018	Khubani	D23/262
D834,404	S *	11/2018	Pista	D8/387
D834,687	S *	11/2018	Khubani	D23/262
D834,688	S *	11/2018	Khubani	D23/262
2008/0185842	A1 *	8/2008	Blackman	F16L 15/006 285/376
2013/0113205	A1 *	5/2013	Berardi	F16L 11/10 285/123.1

* cited by examiner

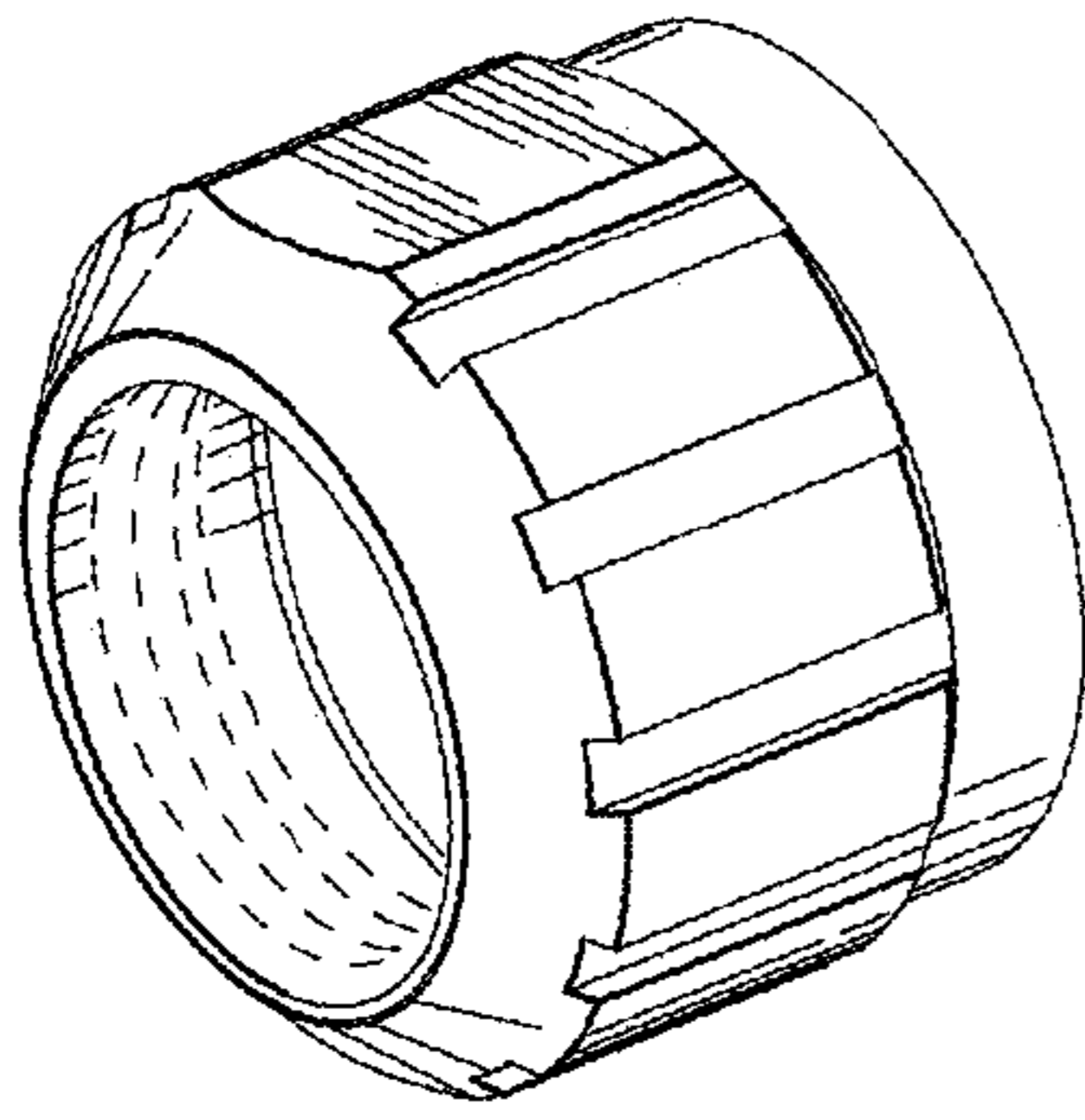


FIG. 1

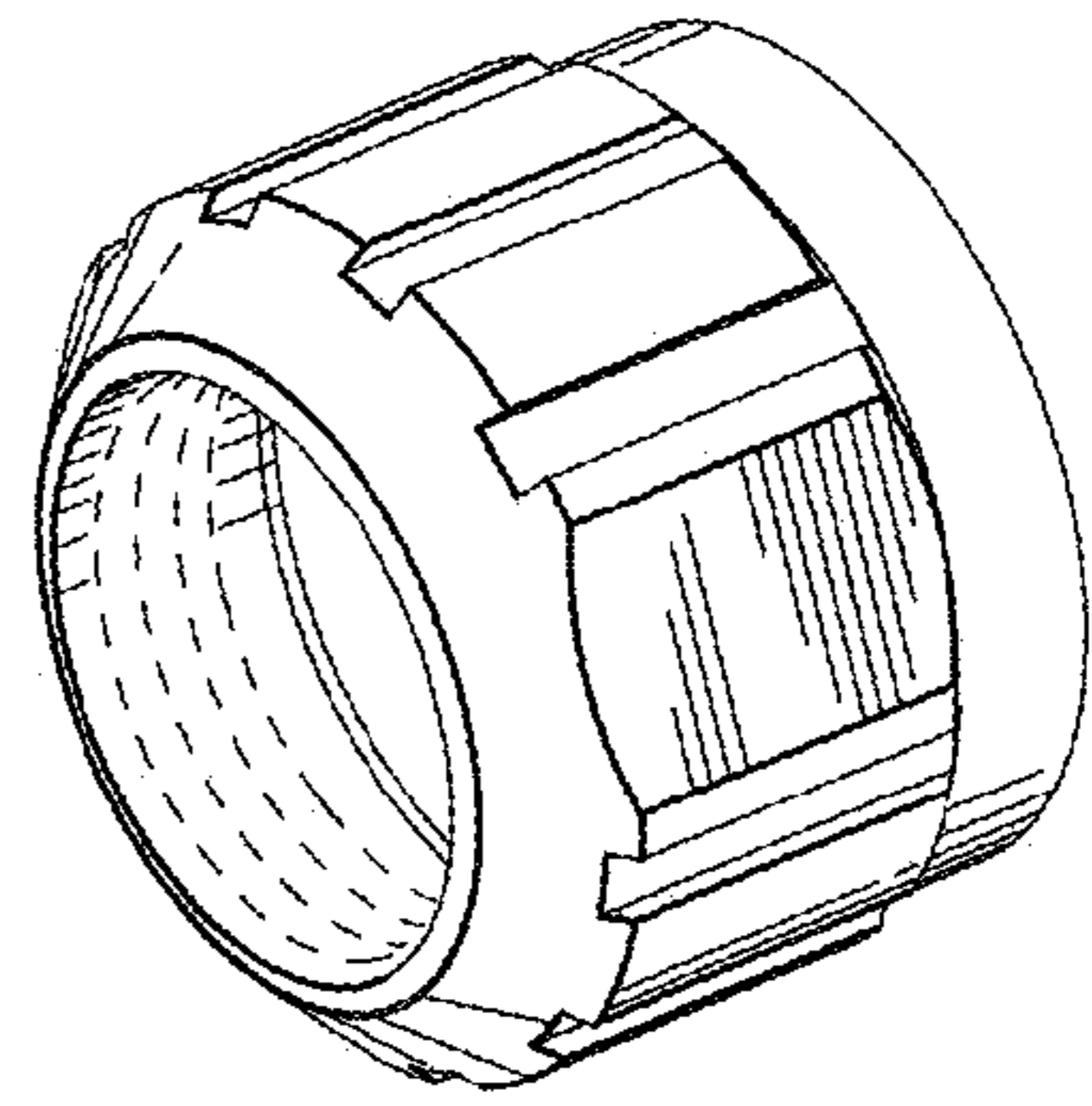


FIG. 2

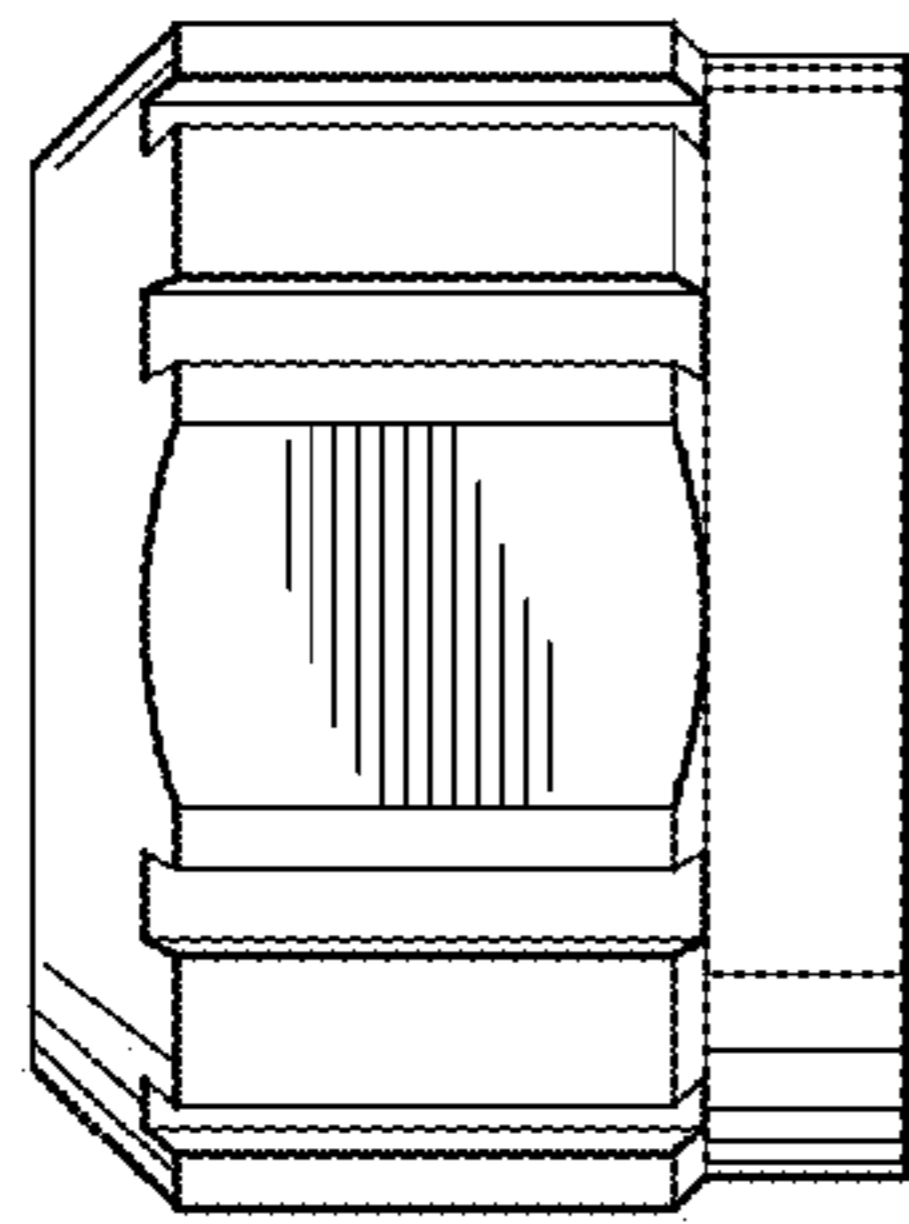


FIG. 3

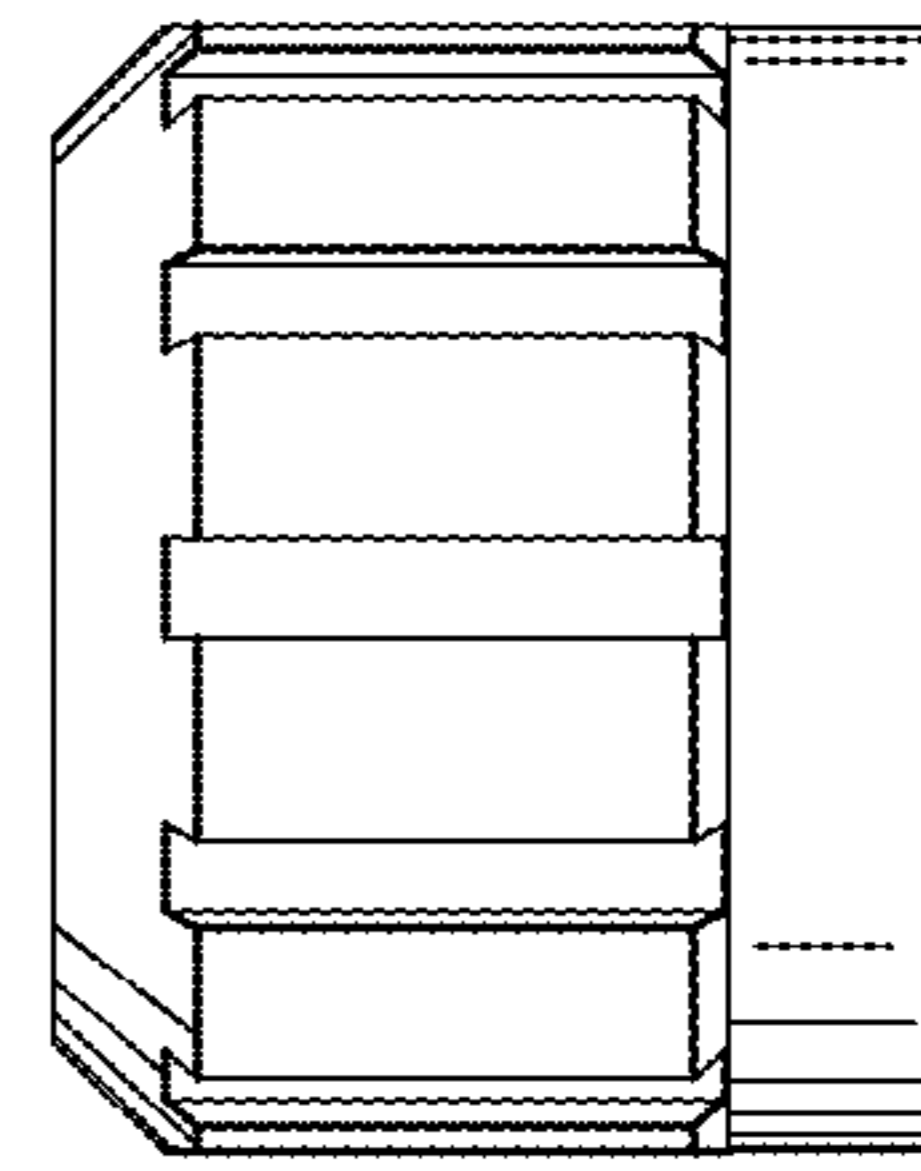


FIG. 4

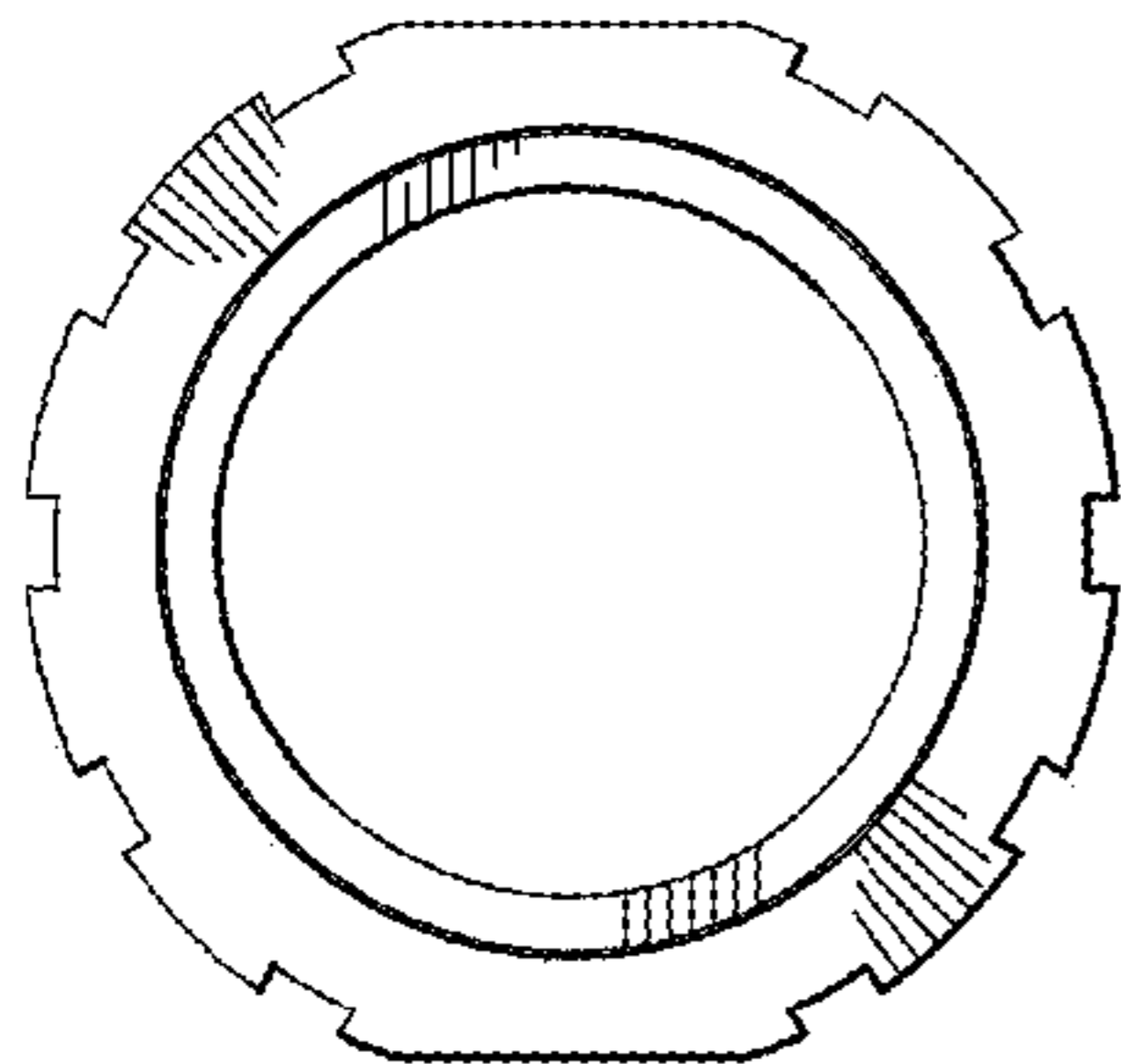


FIG. 5

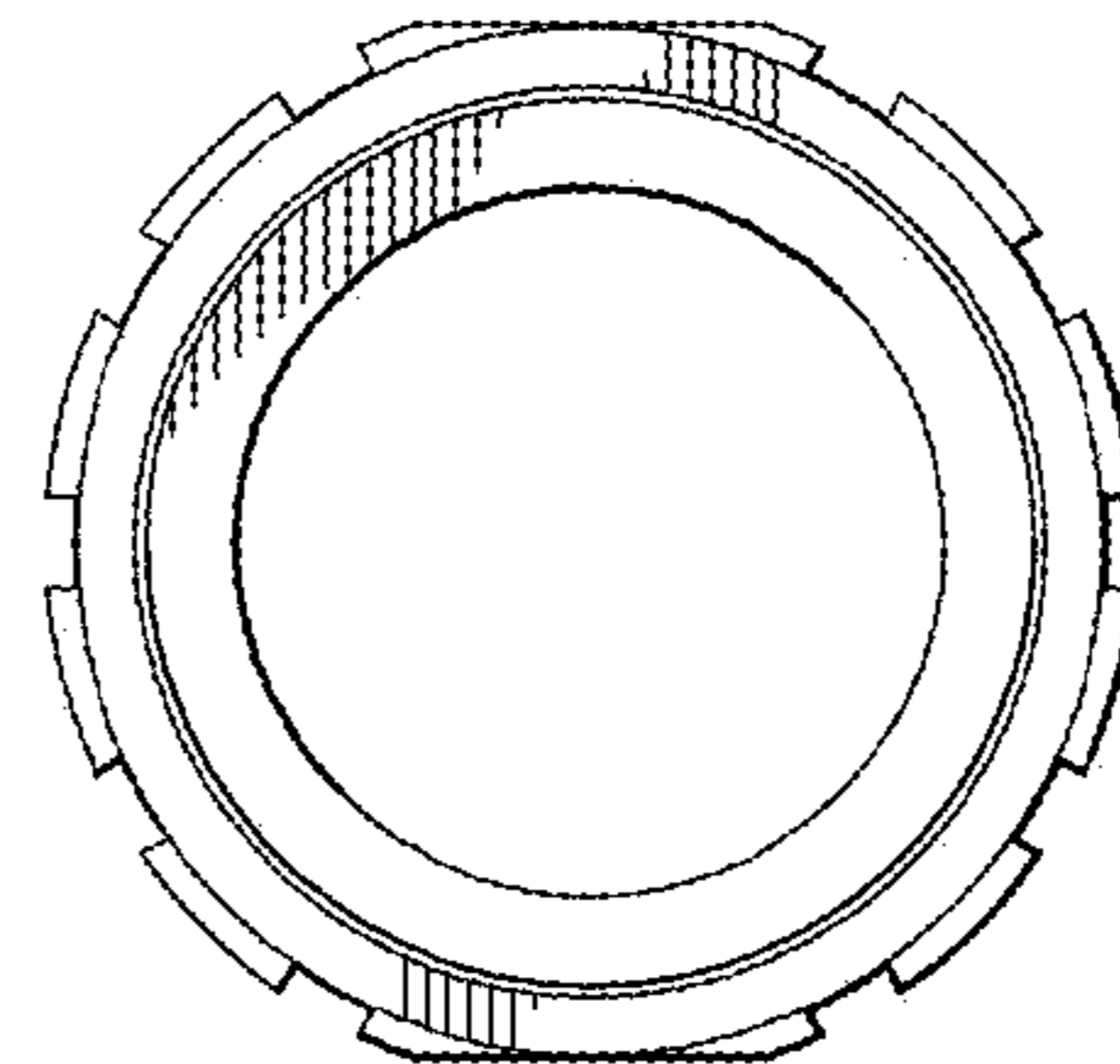


FIG. 6

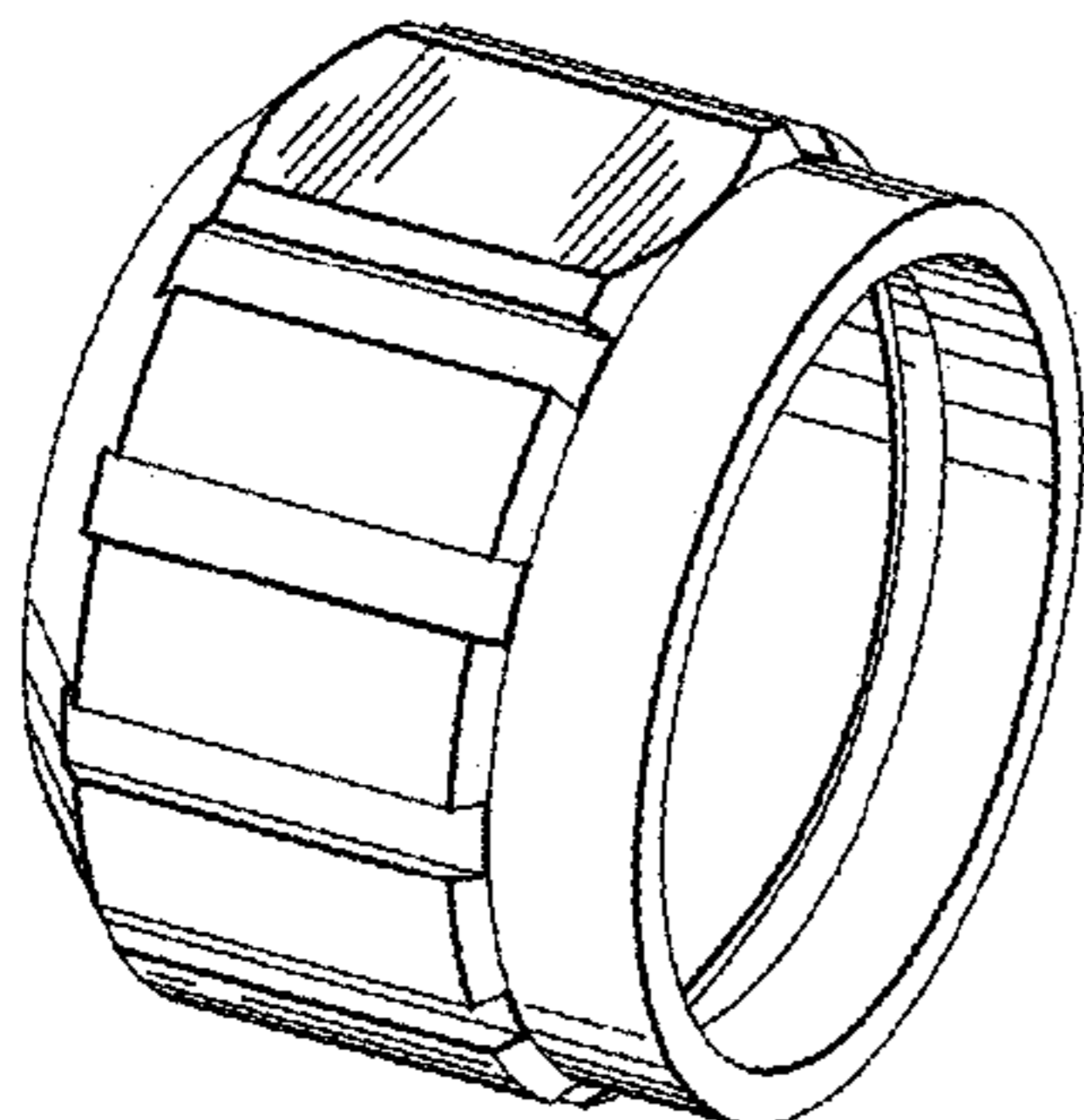


FIG. 7

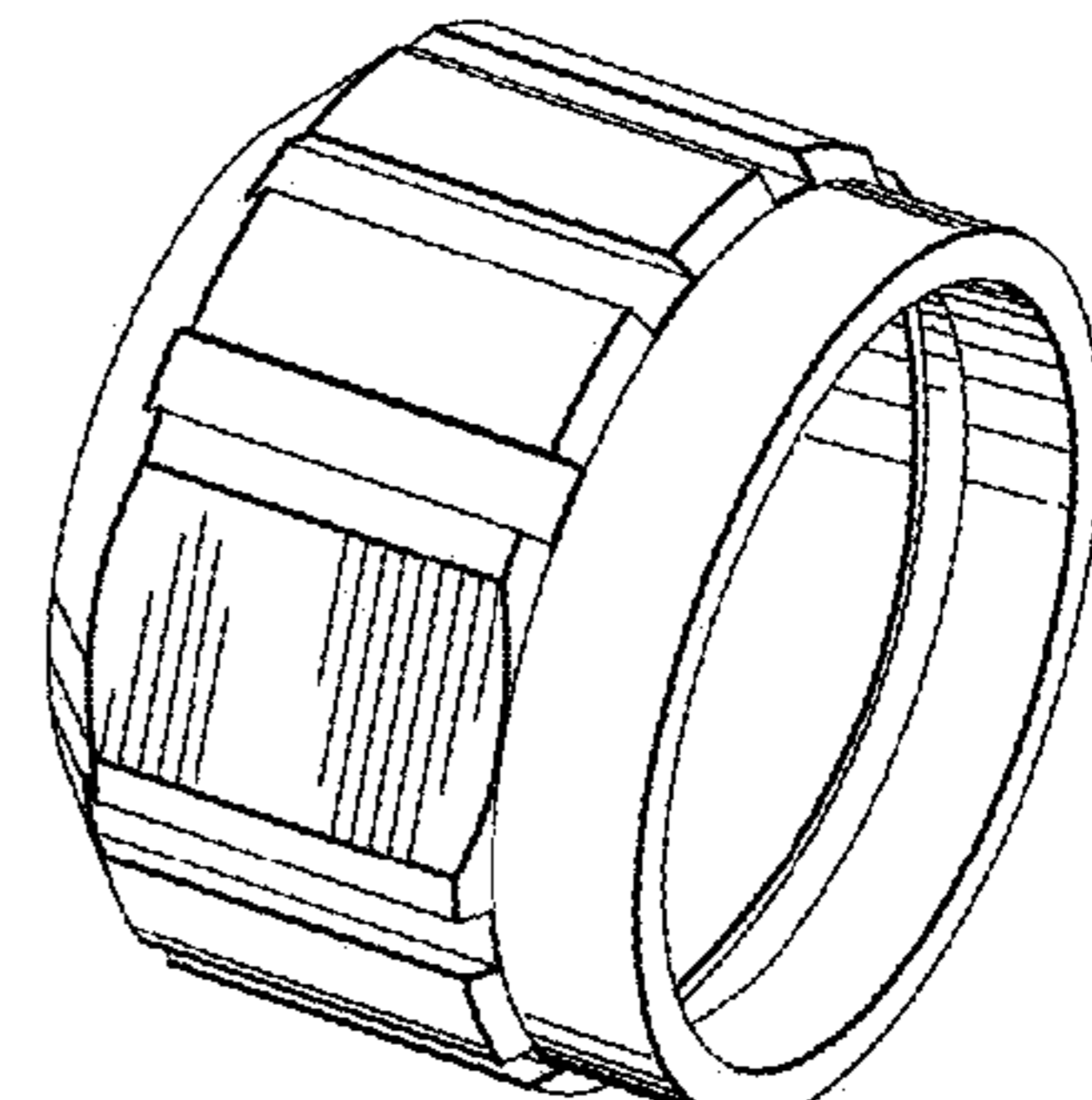


FIG. 8