



US00D879257S

(12) **United States Design Patent**
Vallo et al.

(10) **Patent No.:** **US D879,257 S**
(45) **Date of Patent:** **** Mar. 24, 2020**

- (54) **HOSE COUPLING**
- (71) Applicant: **Fiskars Finland Oy Ab**, Helsinki (FI)
- (72) Inventors: **Nicholas Vallo**, Madison, WI (US);
Steven Farra, Madison, WI (US)
- (73) Assignee: **FISKARS FINLAND OY AB**, Helsinki (FI)
- (**) Term: **15 Years**
- (21) Appl. No.: **29/637,320**
- (22) Filed: **Feb. 15, 2018**
- (51) **LOC (12) Cl.** **23-01**
- (52) **U.S. Cl.**
USPC **D23/262**
- (58) **Field of Classification Search**
USPC D23/207–209, 233–237, 249, 268–269;
285/15–16, 31, 33, 45, 53, 86, 104,
285/148.2, 148.19–148.22, 133.21, 245,
285/257, 291.1, 291.2, 335, 423, 355,
285/390, 417, 34, 305, 321, 323;
251/146–152, 215–216, 143, 155, 162,
251/357; 138/99; D24/129; 137/625.4;
236/12.1; D8/397, 399; D13/133, 154;
D32/31–33
CPC F16K 11/07; F16K 31/002; F16L 11/00;
F16L 25/01; F16L 17/10; F16L 59/14
See application file for complete search history.

- D296,579 S * 7/1988 Hattori D23/262
- 5,626,369 A * 5/1997 Shifman F16L 33/2076
264/229
- D441,436 S * 5/2001 Chao D23/262
- 6,241,291 B1 * 6/2001 Hui-Chen F16L 19/075
285/249
- D532,947 S * 11/2006 Muscarella D32/31
- D736,357 S * 8/2015 Melo D23/262
- D738,471 S * 9/2015 Melo D23/262
- D753,271 S * 4/2016 LaBarbera D23/262
- 2016/0097474 A1 * 4/2016 Settu F16L 15/08
285/355

* cited by examiner

Primary Examiner — Karen E Kearney
Assistant Examiner — Amy C Wierenga
(74) *Attorney, Agent, or Firm* — Leason Ellis LLP

(57) **CLAIM**

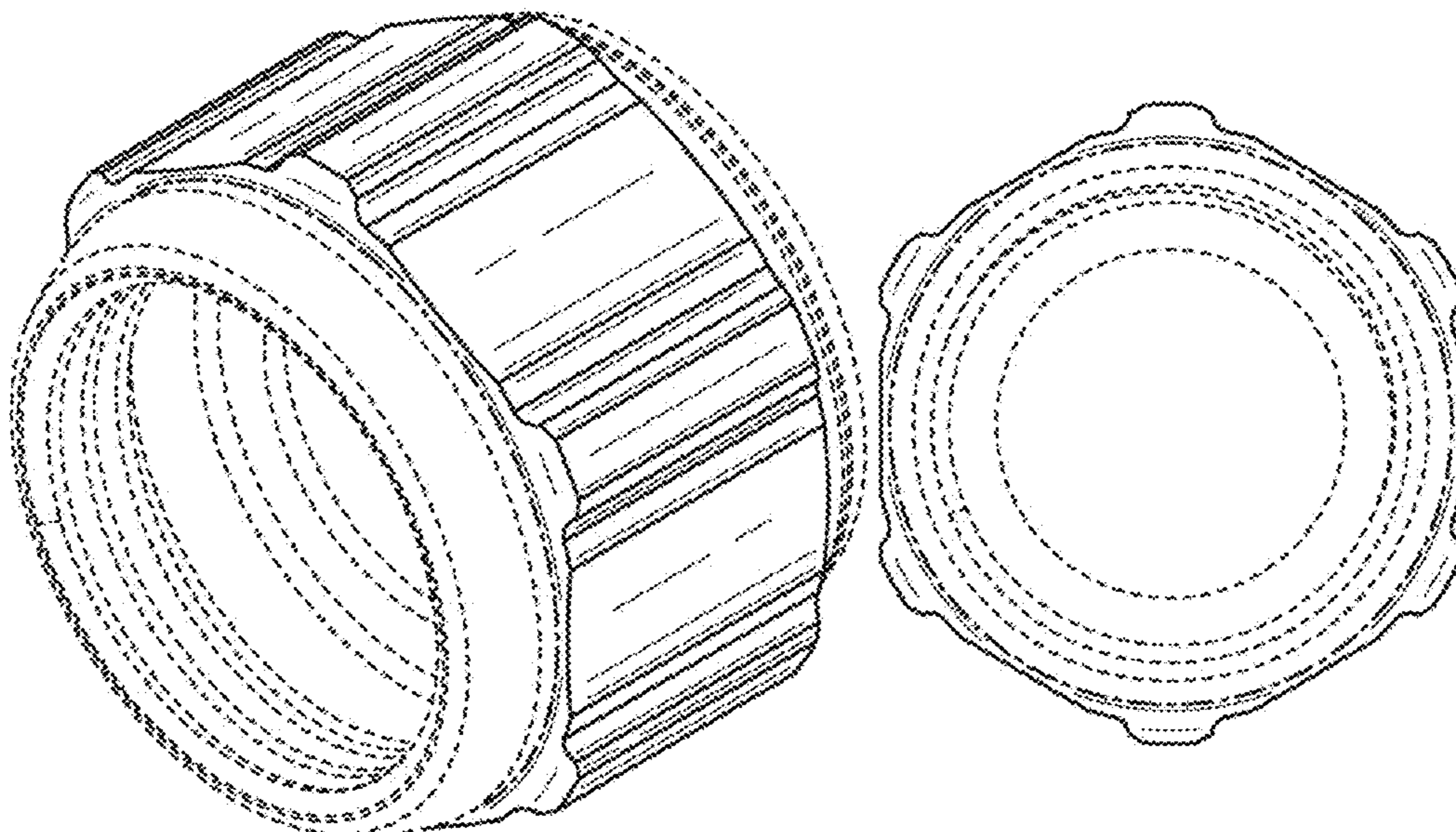
We claim the ornamental design for a hose coupling, as shown and described.

DESCRIPTION

FIG. 1 is a top perspective view of an embodiment of the claimed design;
FIG. 2 is front view thereof;
FIG. 3 is a rear view thereof;
FIG. 4 is a left side view thereof;
FIG. 5 is a right side view thereof;
FIG. 6 is a top view thereof;
FIG. 7 is a bottom view thereof; and,
FIG. 8 is a bottom perspective view thereof.
Any portion of the article depicted in broken lines forms no part of the claimed design. Broken lines formed by equal length dashes show unclaimed subject matter. Broken lines formed of unequal length dashes (i.e., dash-dot) show boundaries between claimed and unclaimed portions of the design.

1 Claim, 5 Drawing Sheets

- (56) **References Cited**
U.S. PATENT DOCUMENTS
D88,666 S * 12/1932 Morse D23/266
4,236,736 A * 12/1980 Anderson F16L 33/224
285/125.1
4,568,114 A * 2/1986 Konrad F16L 19/10
285/341
D283,342 S * 4/1986 Tisserat D23/262



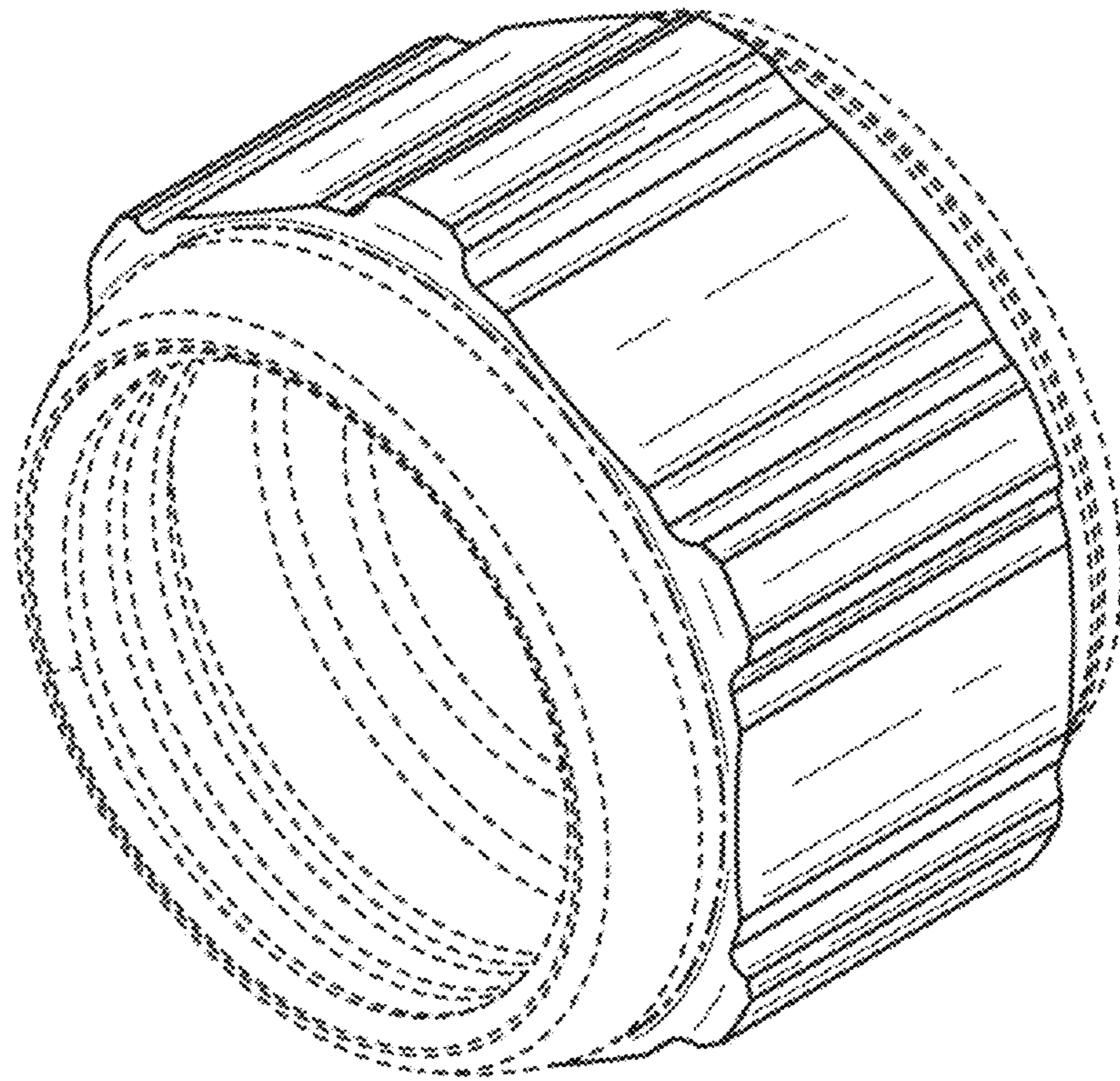


FIG. 1

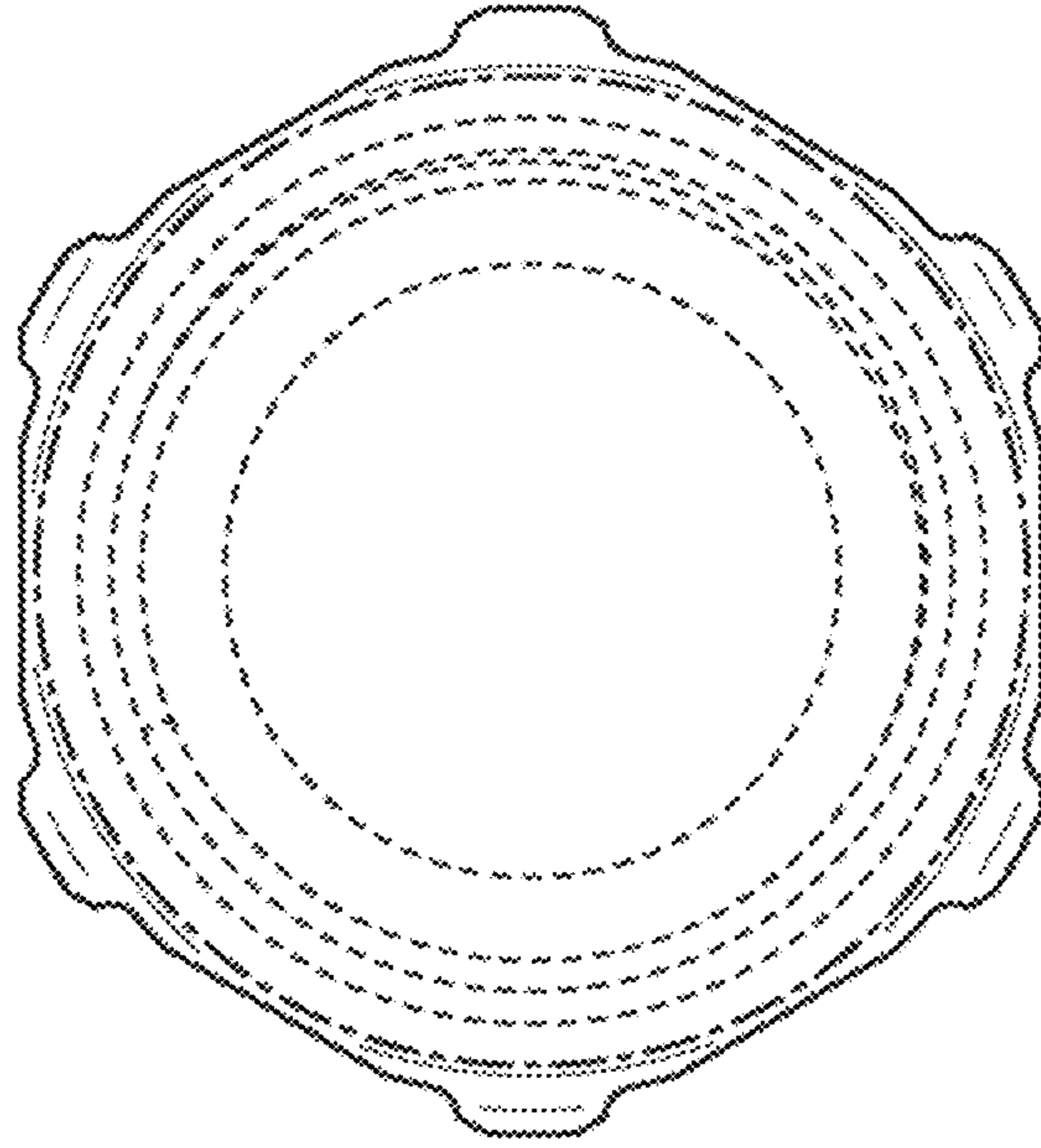


FIG. 2

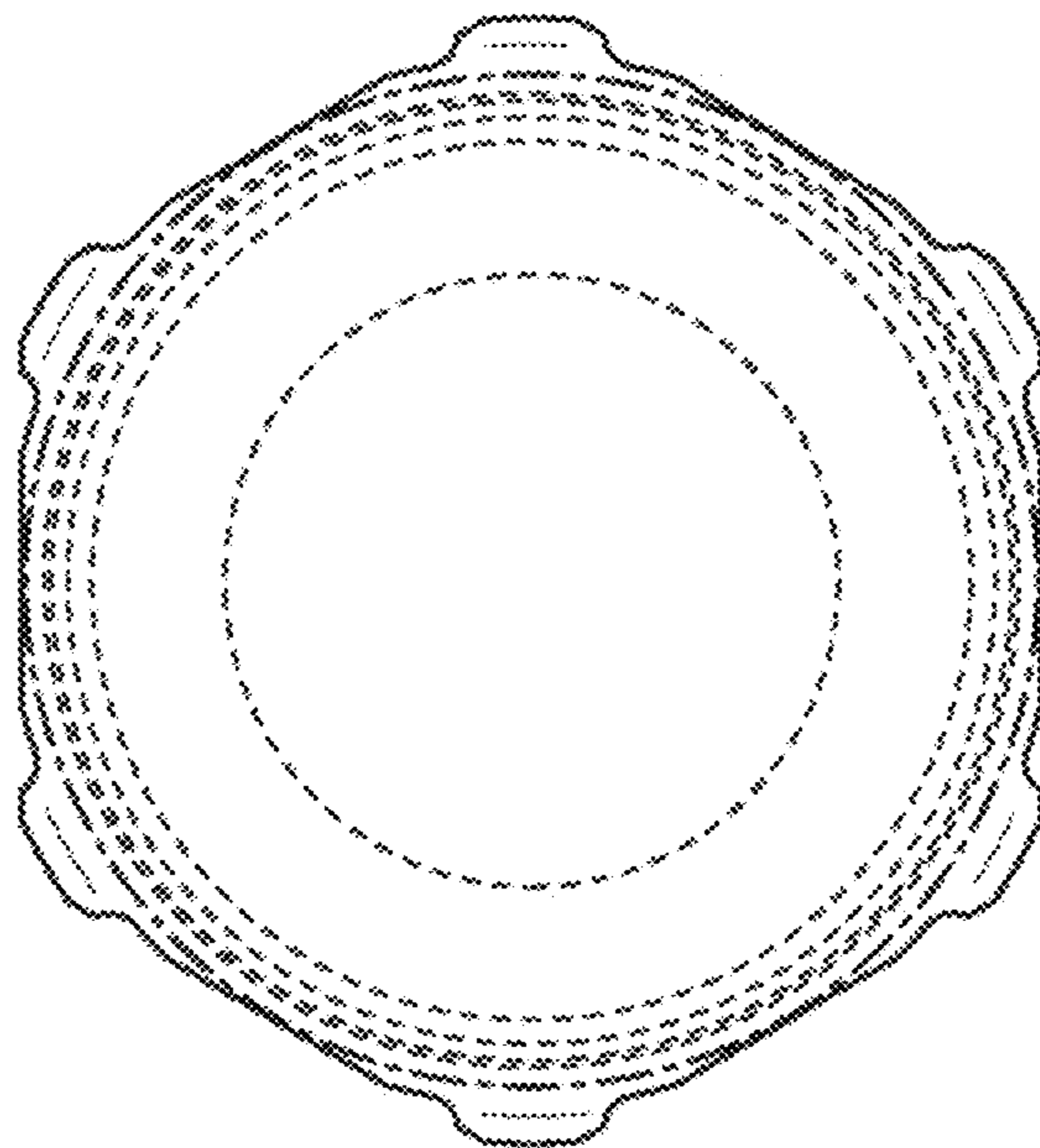


FIG. 3

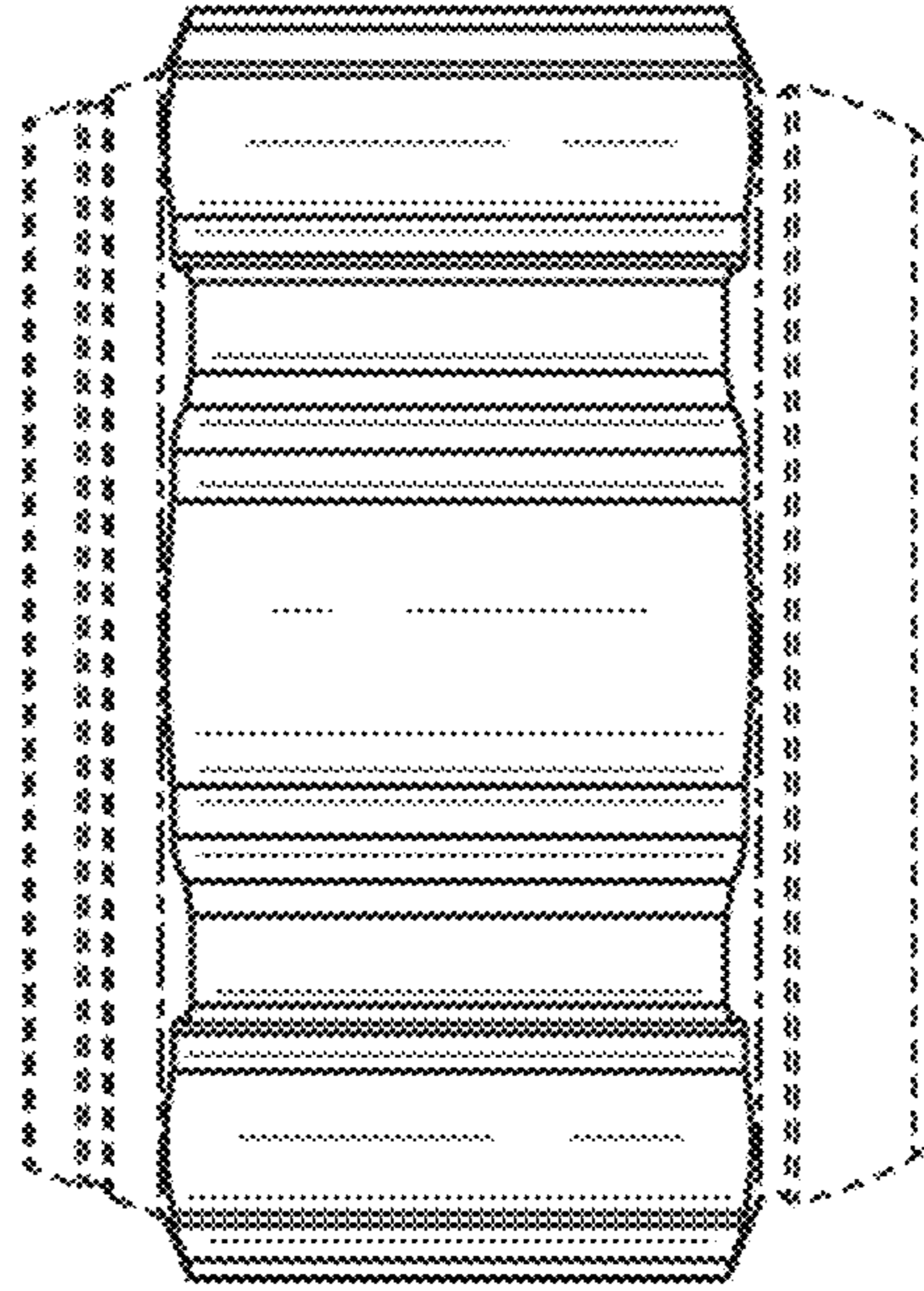


FIG. 4

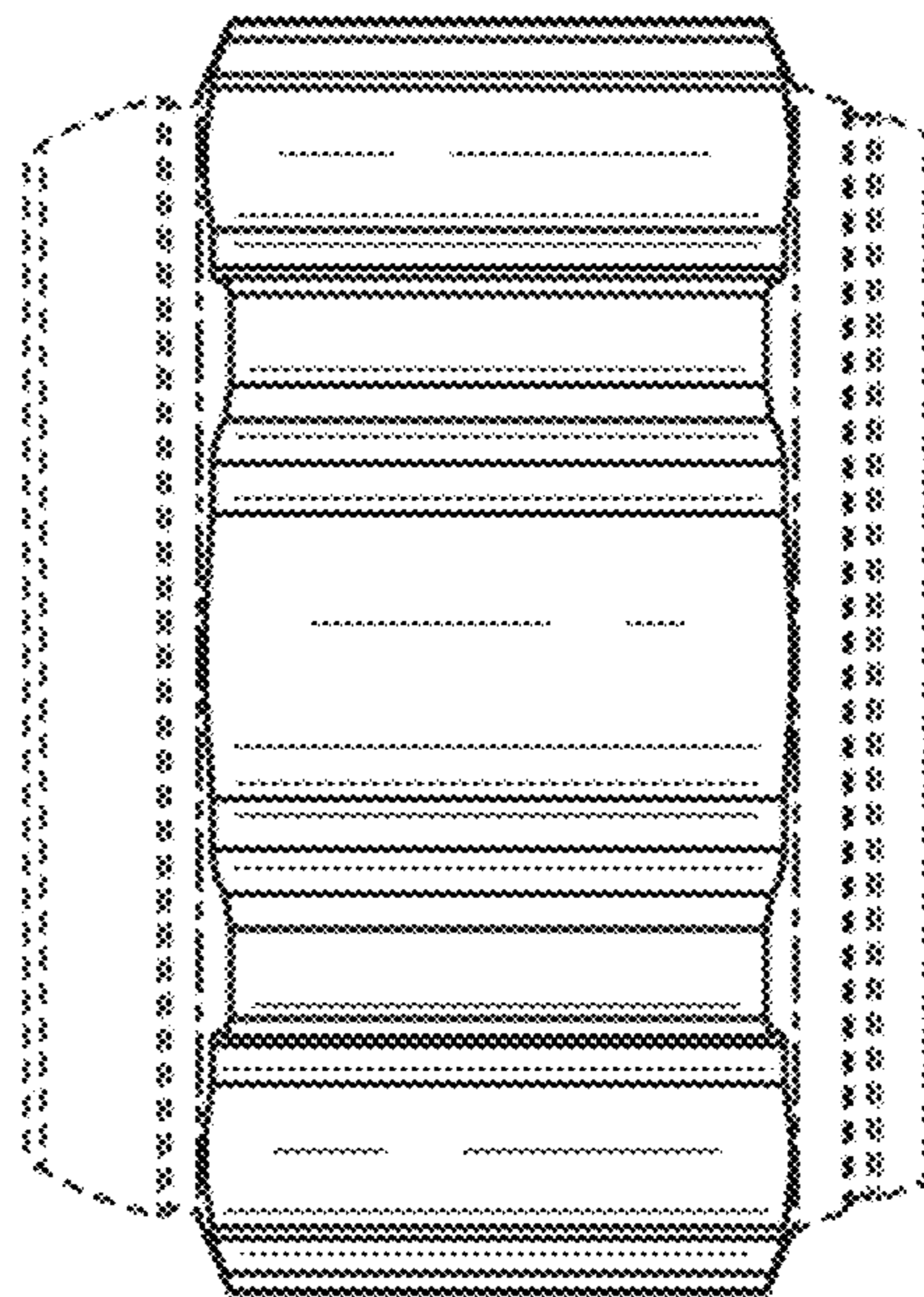


FIG. 5

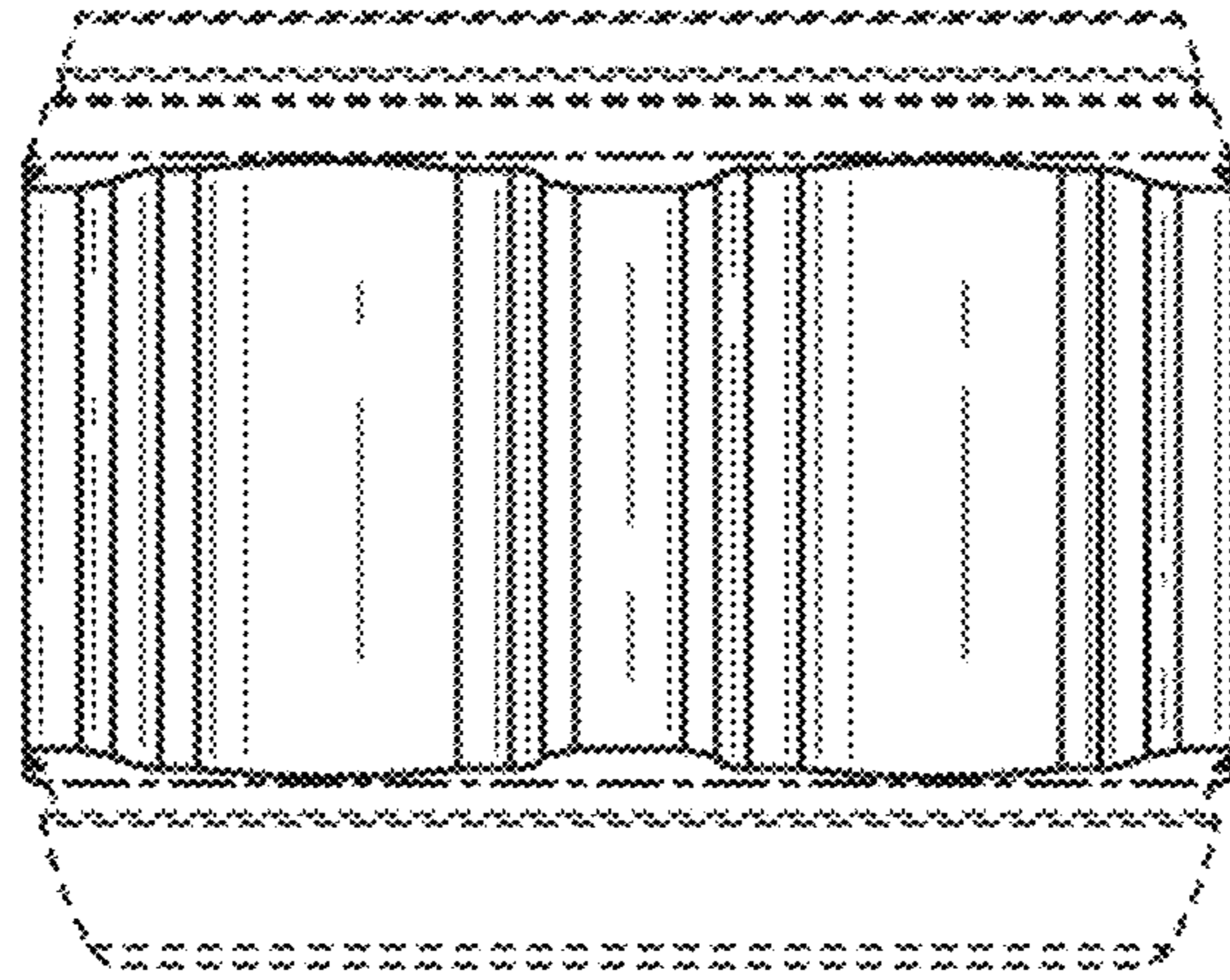


FIG. 6

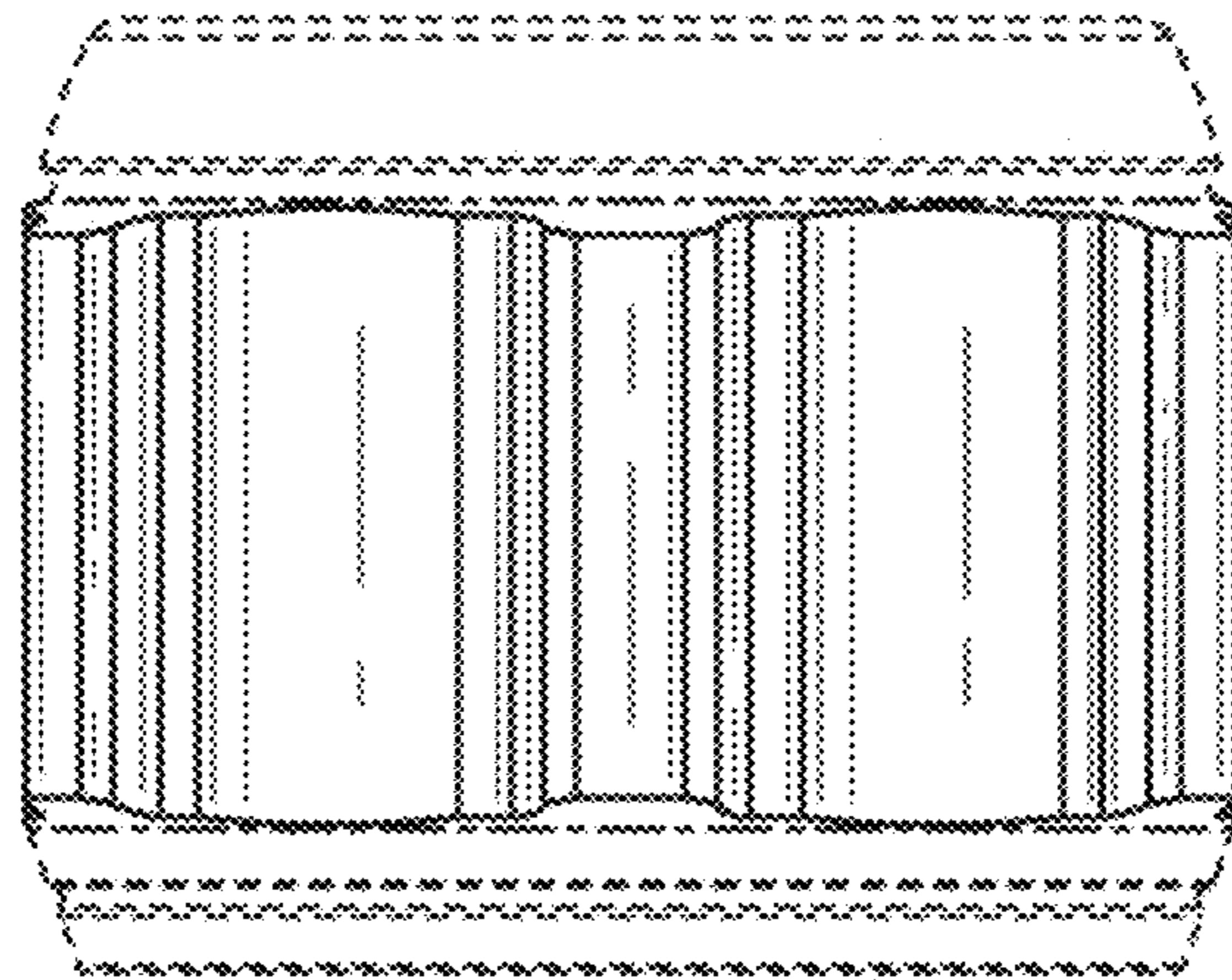


FIG. 7

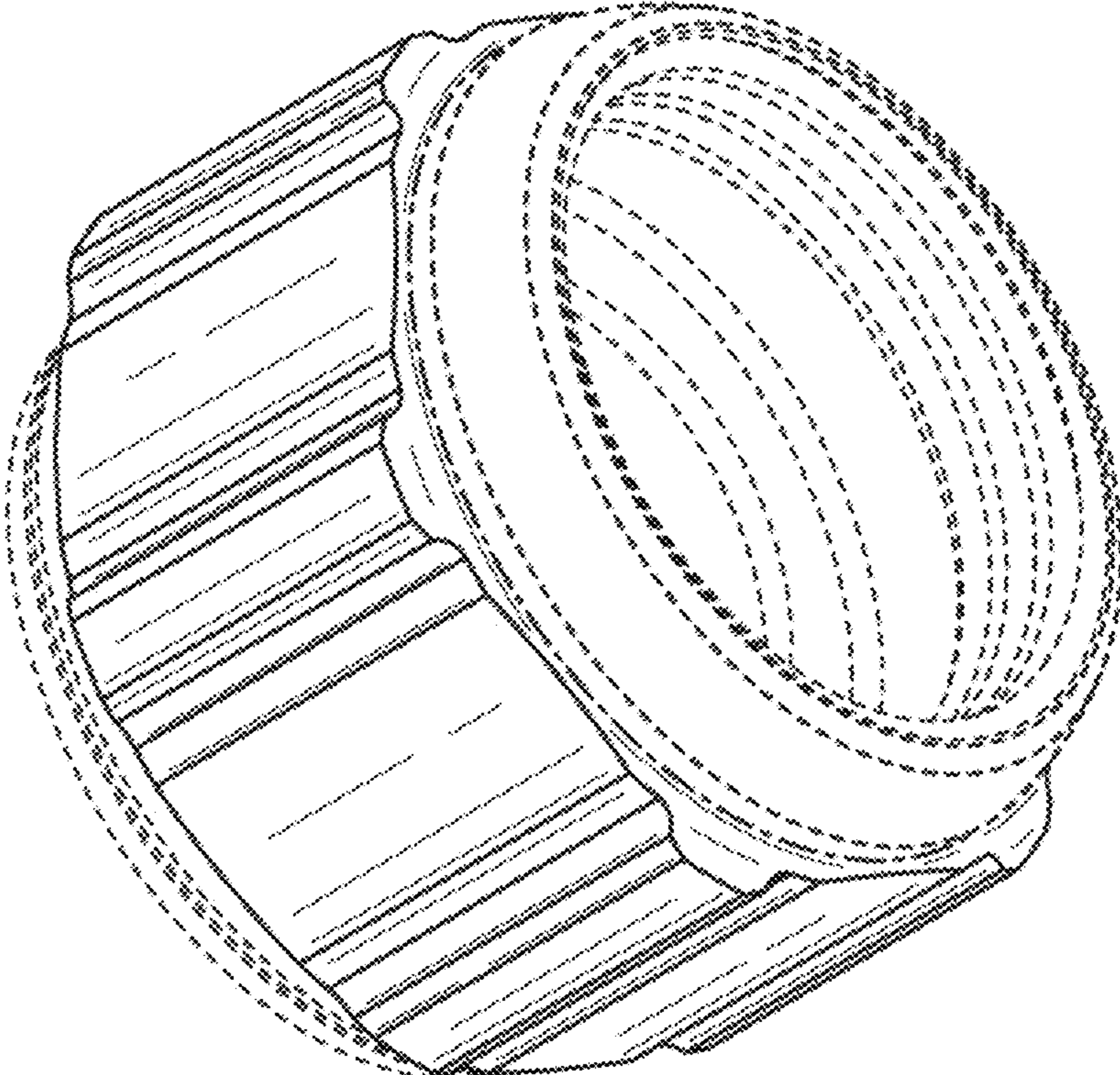


FIG. 8