



US00D879256S

(12) **United States Design Patent**
Eads

(10) **Patent No.:** **US D879,256 S**

(45) **Date of Patent:** **** Mar. 24, 2020**

(54) **FAUCET SPOUT**

D581,498 S * 11/2008 Dolan D23/255
D648,004 S * 11/2011 Downey D23/257
D690,397 S * 9/2013 Flowers D23/255

(71) Applicant: **DELTA FAUCET COMPANY,**
Indianapolis, IN (US)

(72) Inventor: **Thad Eads,** Urbana, IN (US)

(73) Assignee: **DELTA FAUCET COMPANY,**
Indianapolis, IN (US)

(**) Term: **15 Years**

(21) Appl. No.: **29/642,143**

(22) Filed: **Mar. 28, 2018**

(51) **LOC (12) Cl.** **23-01**

(52) **U.S. Cl.**
USPC **D23/255**

(58) **Field of Classification Search**
USPC D23/238-243, 249, 255-257, 309
CPC ... Y10T 137/9464; E03C 1/04; E03C 1/0404;
E03C 1/0407
See application file for complete search history.

(56) **References Cited**

U.S. PATENT DOCUMENTS

D364,220 S * 11/1995 Hill D23/255
D524,424 S * 7/2006 Schaffeld D23/255
D540,919 S * 4/2007 Soriano D23/249
D577,422 S * 9/2008 Williams D23/241

OTHER PUBLICATIONS

Archiproducts, Venezia Washbasin tap, designed 2016, [online], [visited Apr. 10, 2019]. Internet, <URL: https://www.archiproducts.com/en/products/fantini-rubinetti/3-hole-countertop-washbasin-tap-venezia-washbasin-tap_245784> (Year: 2016).*

* cited by examiner

Primary Examiner — Sheryl Lane

Assistant Examiner — Samantha N Wood

(74) *Attorney, Agent, or Firm* — Edgar A. Zarins; Nirav D. Parikh

(57) **CLAIM**

The ornamental design for a faucet spout, as shown and described.

DESCRIPTION

FIG. 1 is a front perspective view of a faucet spout showing my new design;

FIG. 2 is a rear perspective view thereof;

FIG. 3 is a front elevational view thereof;

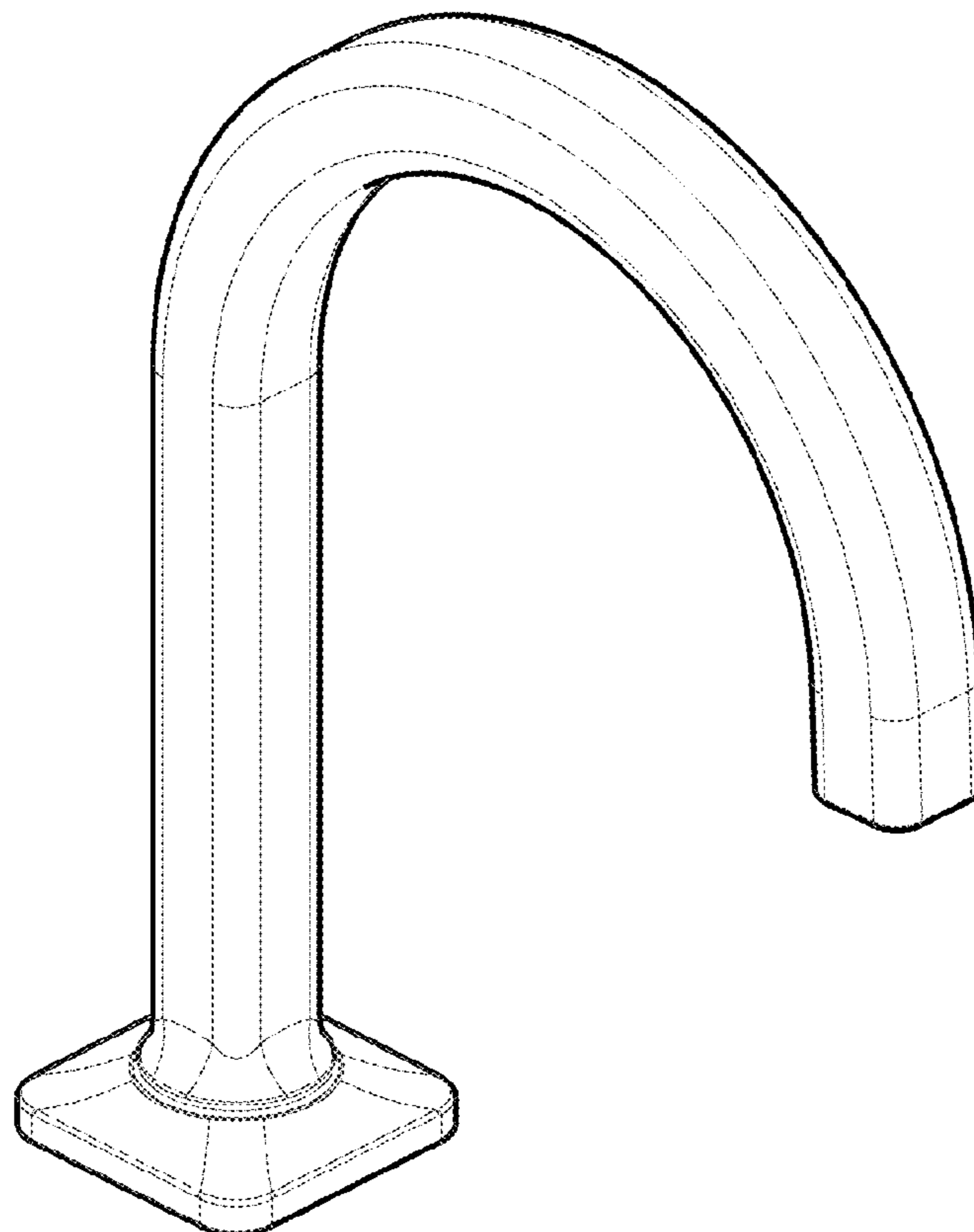
FIG. 4 is a left side view thereof;

FIG. 5 is a rear view thereof;

FIG. 6 is a right side view thereof; and,

FIG. 7 is a top plan view thereof.

1 Claim, 4 Drawing Sheets



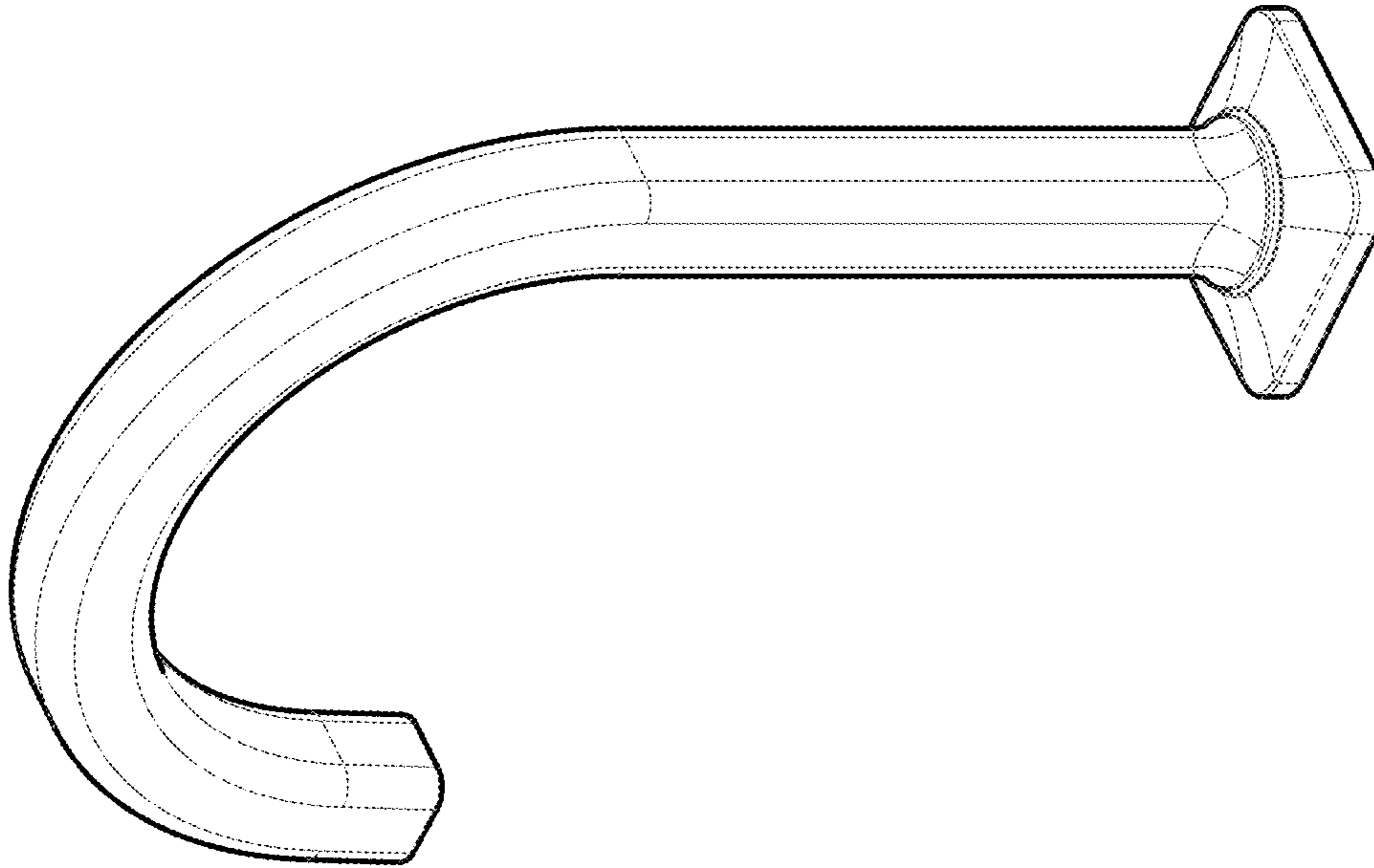


Fig. 2

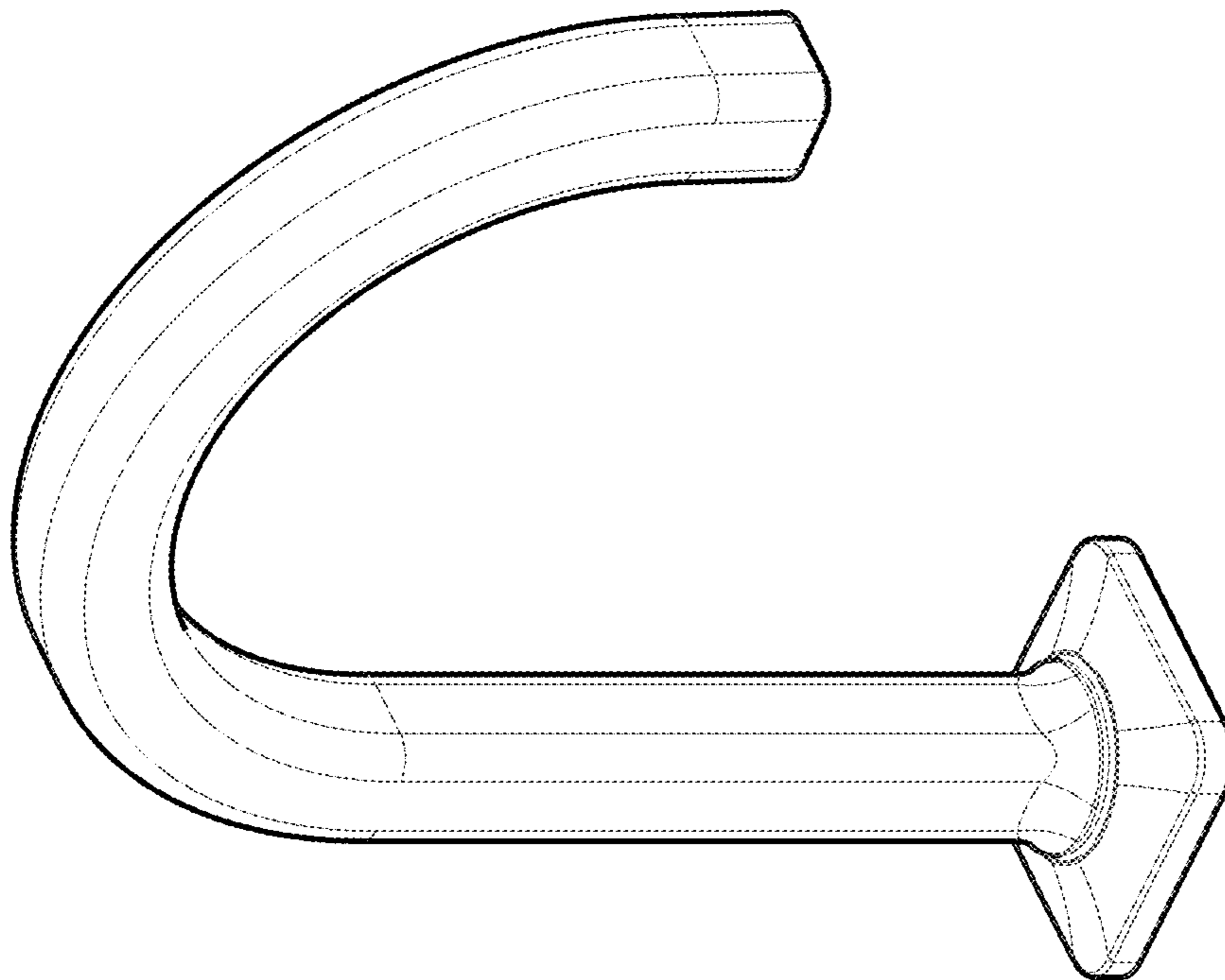


Fig. 1

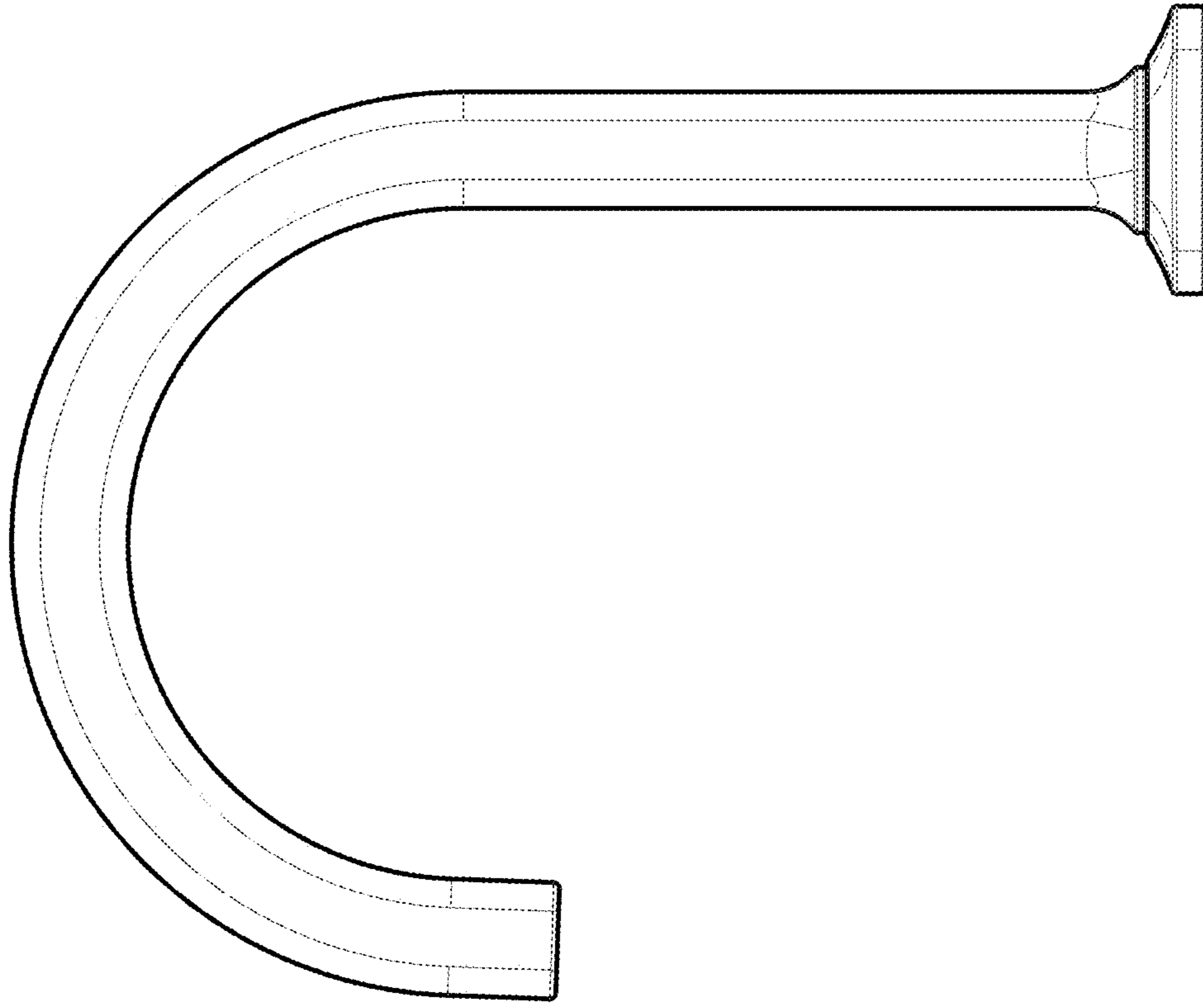


Fig. 3

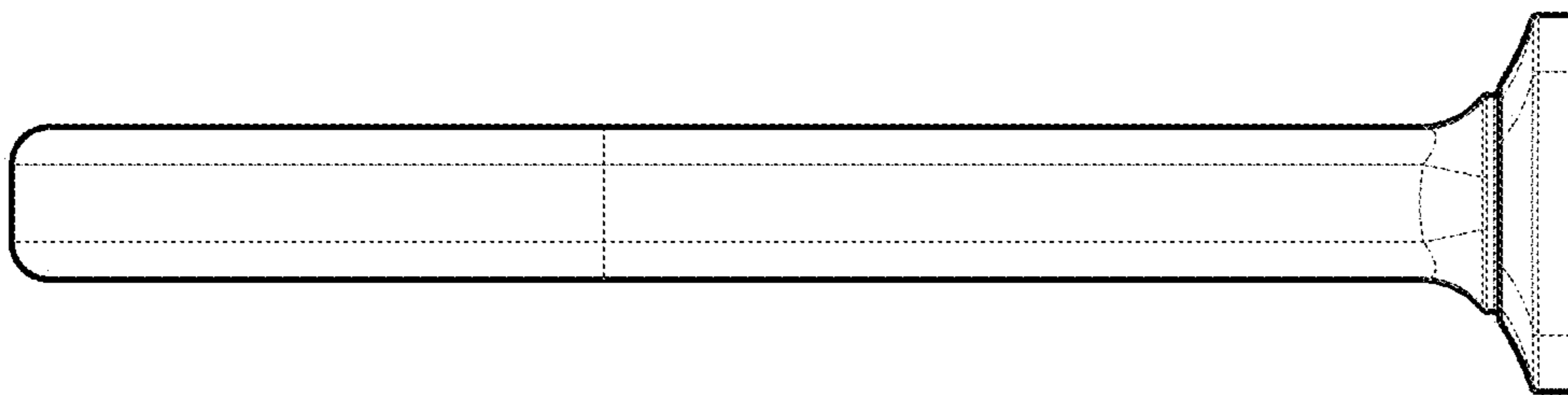


Fig. 4

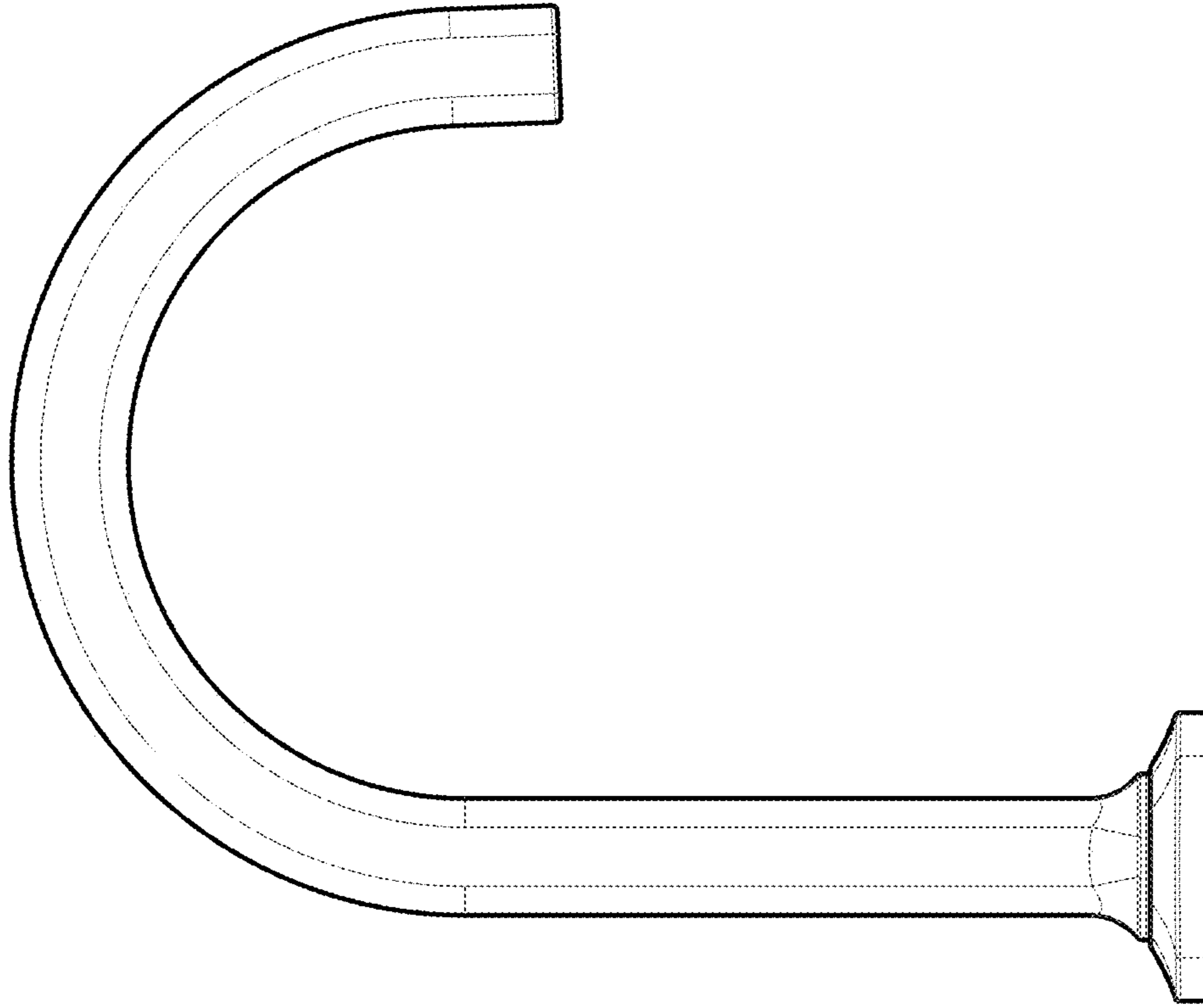


Fig. 5

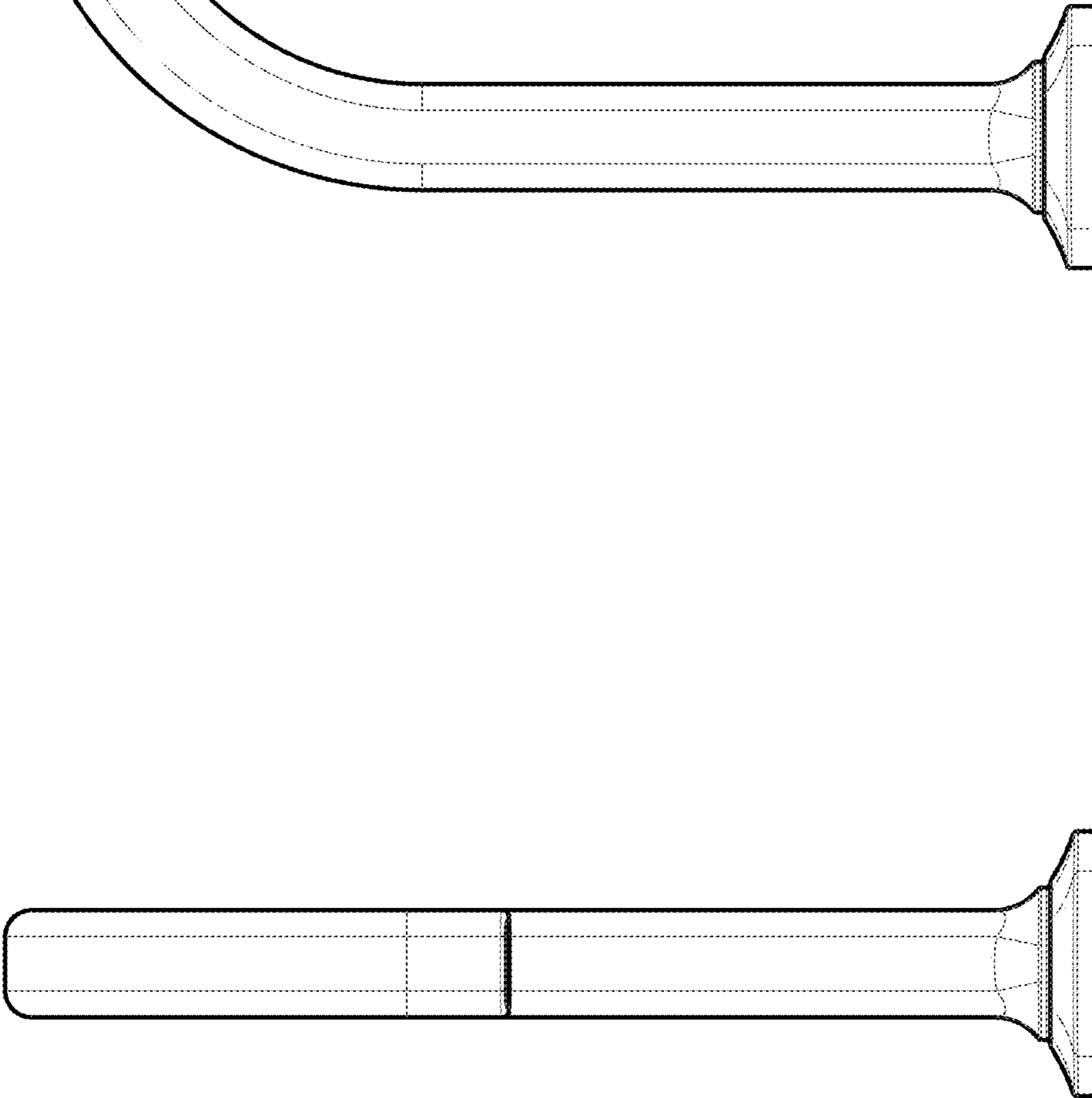


Fig. 6

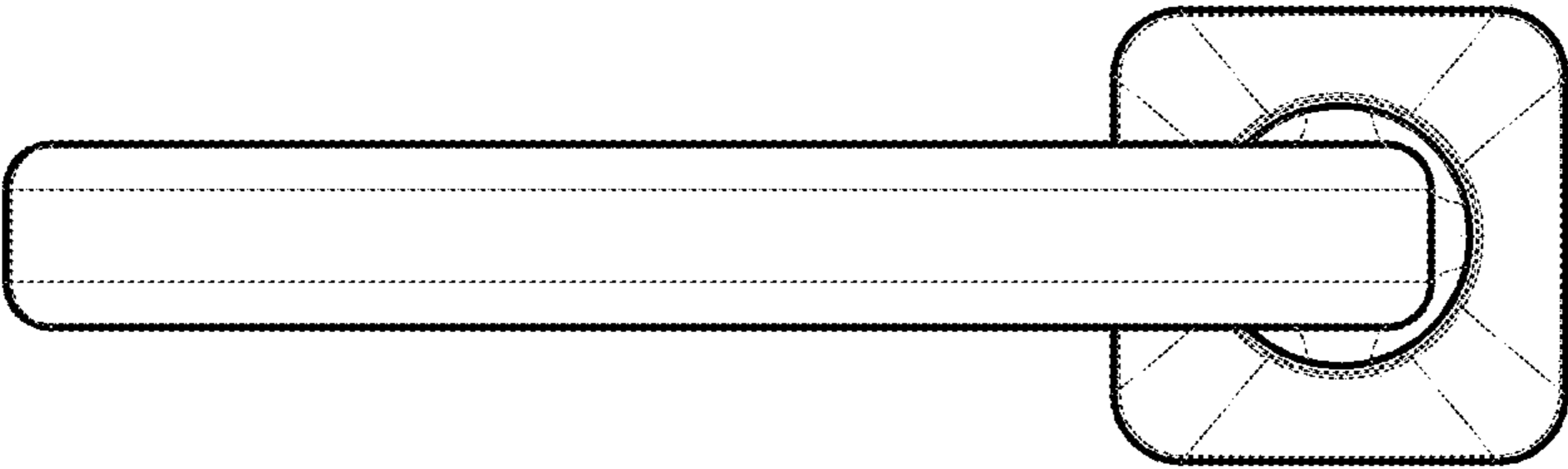


Fig. 7