



US00D879255S

(12) **United States Design Patent**
Garland

(10) **Patent No.:** **US D879,255 S**

(45) **Date of Patent:** **** Mar. 24, 2020**

(54) **FAUCET SPOUT**

D574,469 S * 8/2008 Soriano D23/255
7,909,269 B2 * 3/2011 Erickson E03C 1/0404

(71) Applicant: **DELTA FAUCET COMPANY,**
Indianapolis, IN (US)

D828,508 S * 9/2018 Fritz D23/238

(72) Inventor: **Celine Kwok Garland,** Zionsville, IN
(US)

* cited by examiner

(73) Assignee: **DELTA FAUCET COMPANY,**
Indianapolis, IN (US)

Primary Examiner — Robert A Delehanty

(74) *Attorney, Agent, or Firm* — Edgar A. Zarins; Nirav
D. Parikh

(**) Term: **15 Years**

(21) Appl. No.: **29/638,507**

(22) Filed: **Feb. 27, 2018**

(51) **LOC (12) Cl.** **23-01**

(52) **U.S. Cl.**
USPC **D23/255**

(58) **Field of Classification Search**
USPC D23/238, 241–243, 255, 257
See application file for complete search history.

(57) **CLAIM**

The ornamental design for a faucet spout, as shown and described.

DESCRIPTION

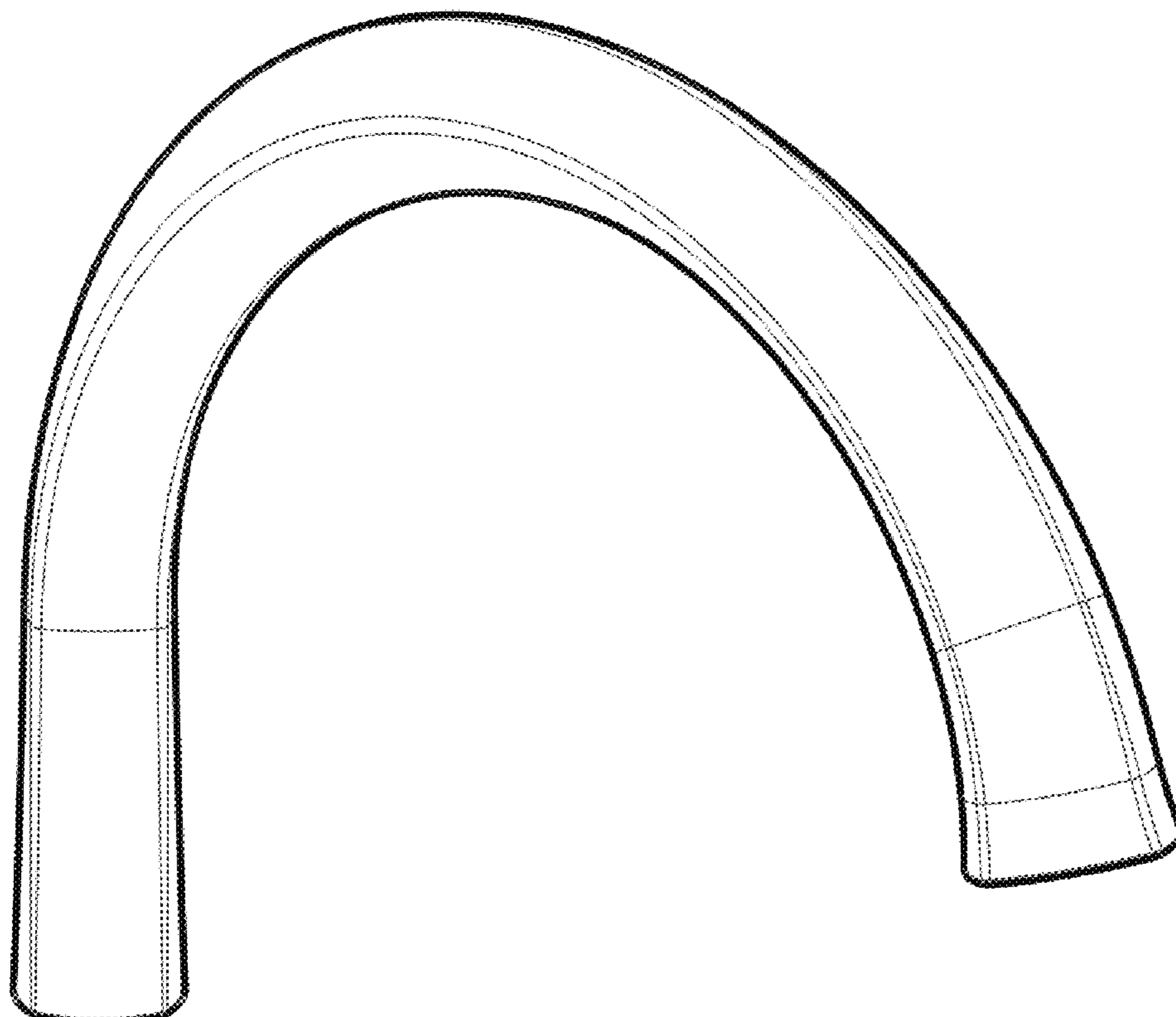
FIG. 1 is a first perspective view of a faucet spout showing my new design;
FIG. 2 is a second perspective view thereof;
FIG. 3 is a front elevational view thereof;
FIG. 4 is a left side view thereof;
FIG. 5 is a rear view thereof;
FIG. 6 is a right side view thereof;
FIG. 7 is a top plan view thereof; and,
FIG. 8 is a bottom view thereof.
Portions of the article shown in broken lines form no part of the claimed design.

(56) **References Cited**

U.S. PATENT DOCUMENTS

| | | | | |
|--------------|--------|----------|-------|---------|
| D438,602 S * | 3/2001 | Milrud | | D23/255 |
| D448,453 S * | 9/2001 | Lord | | D23/241 |
| D513,788 S * | 1/2006 | Lindholm | | D23/238 |
| D515,180 S * | 2/2006 | Ouyoung | | D23/239 |
| D518,149 S * | 3/2006 | Spangler | | D23/241 |
| D521,109 S * | 5/2006 | Lord | | D23/238 |
| D521,112 S * | 5/2006 | Fritz | | D23/241 |

1 Claim, 4 Drawing Sheets



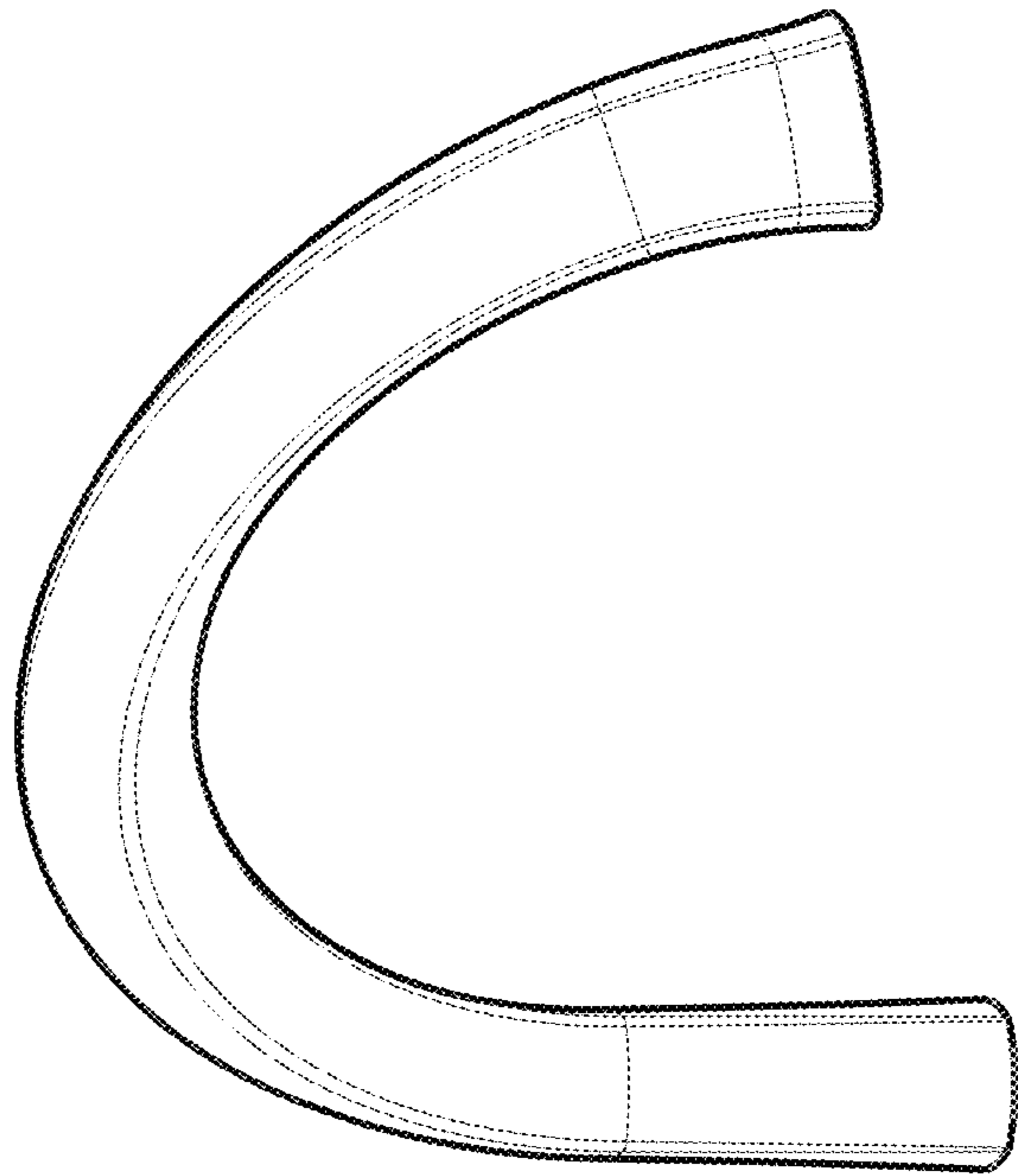


Fig. 1

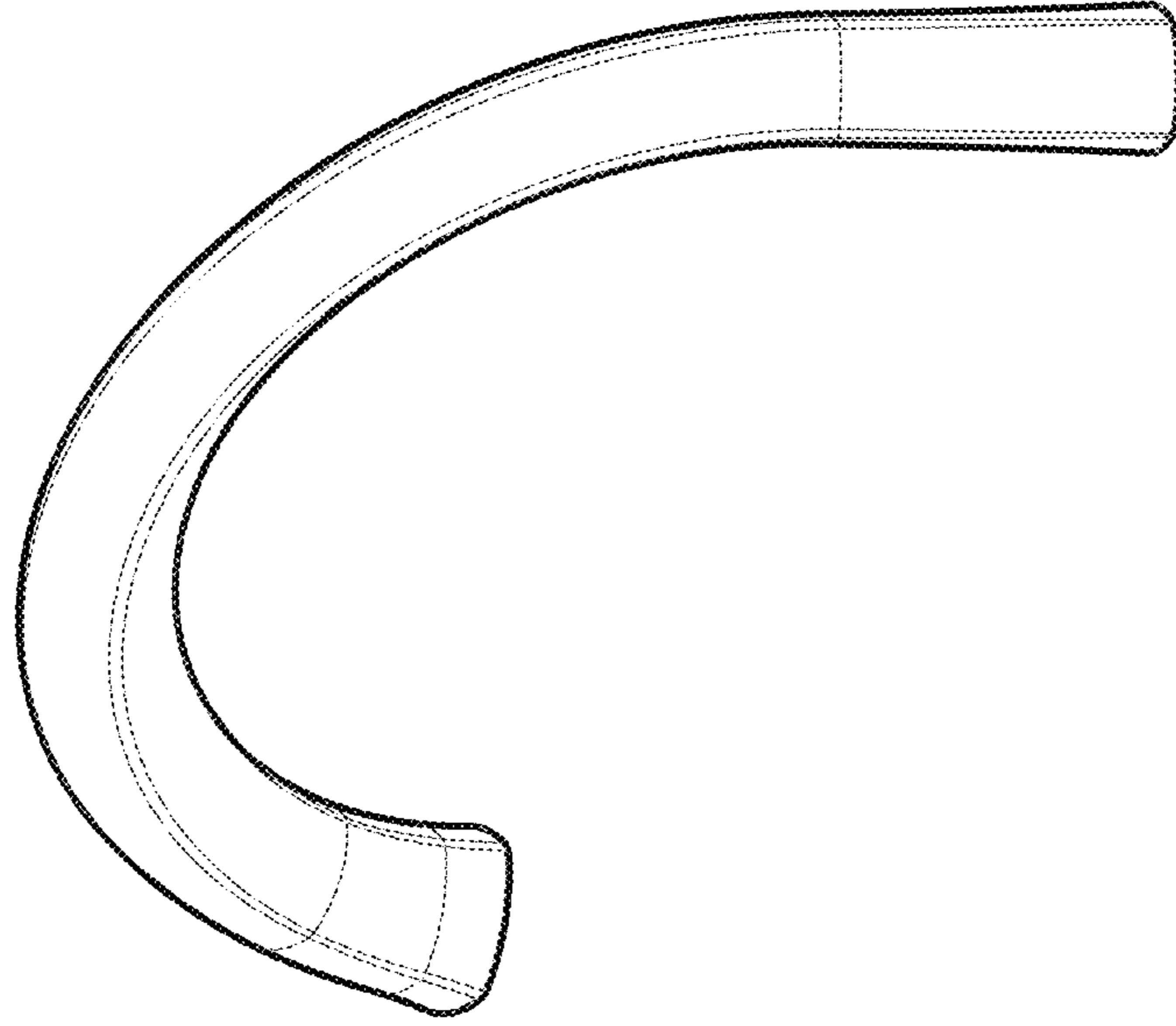


Fig. 2

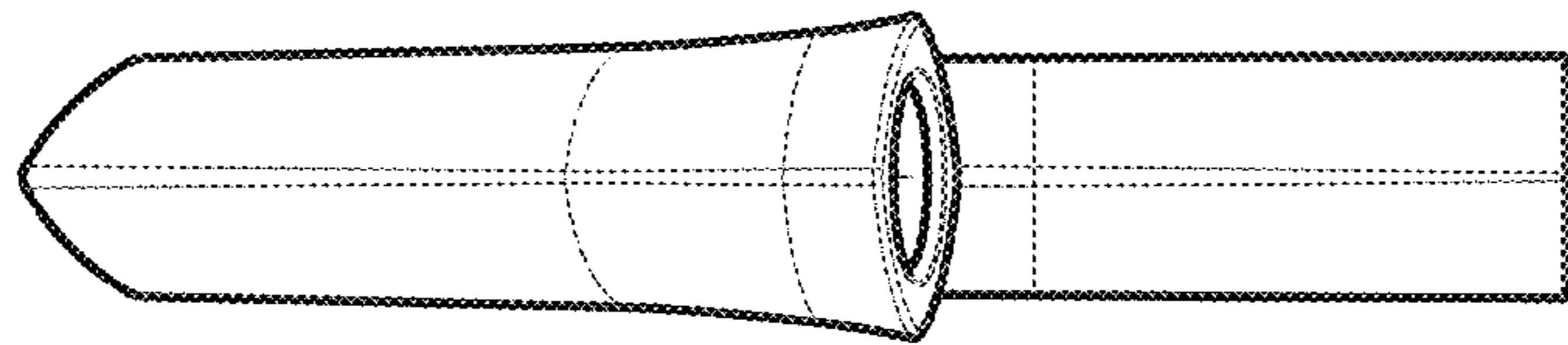


Fig. 3

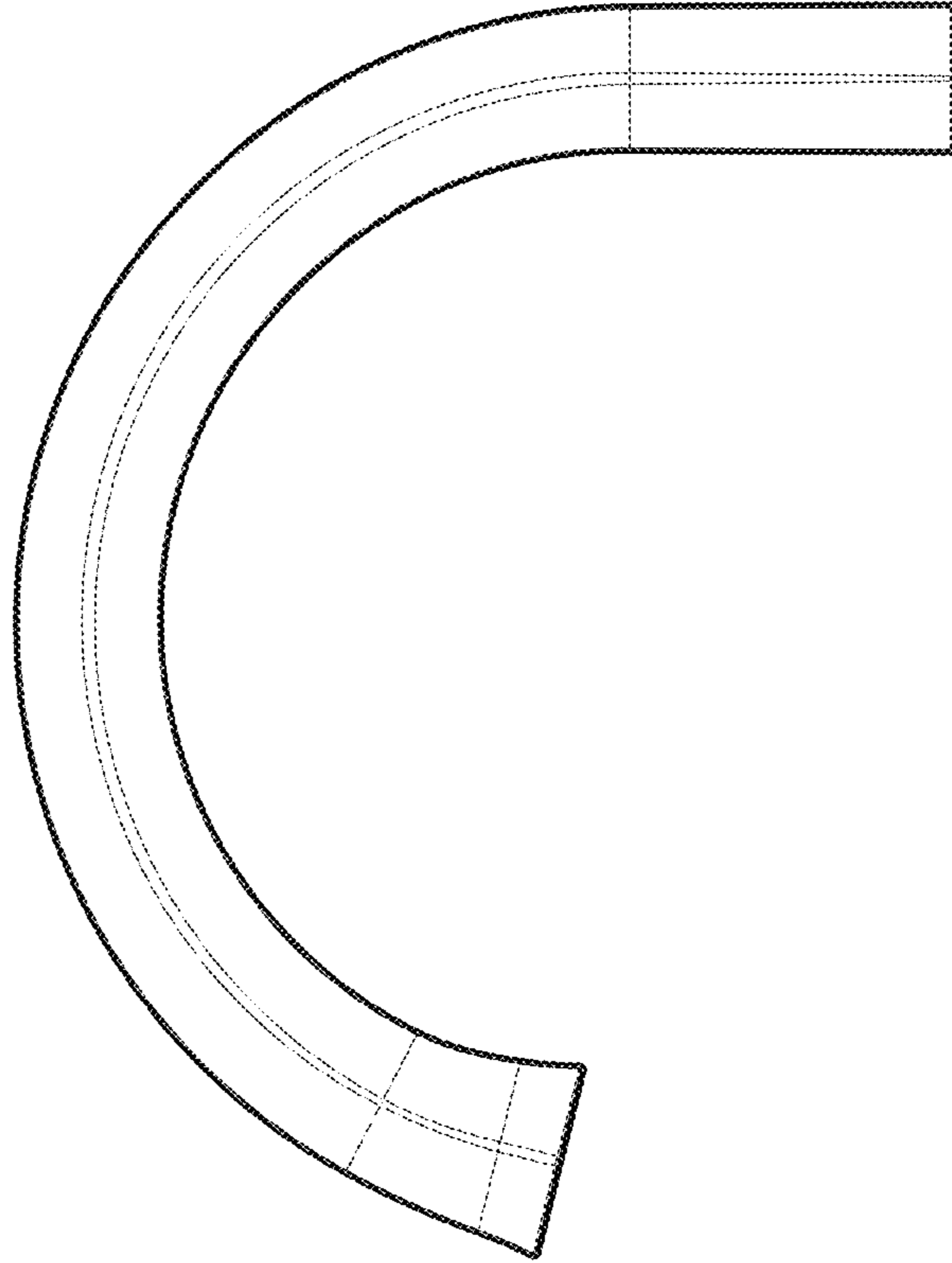


Fig. 4

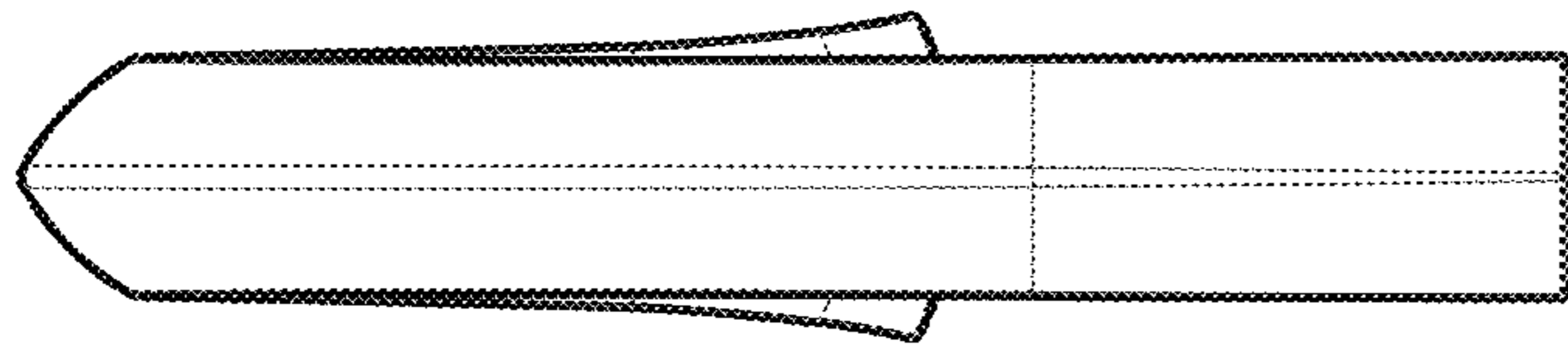


Fig. 5

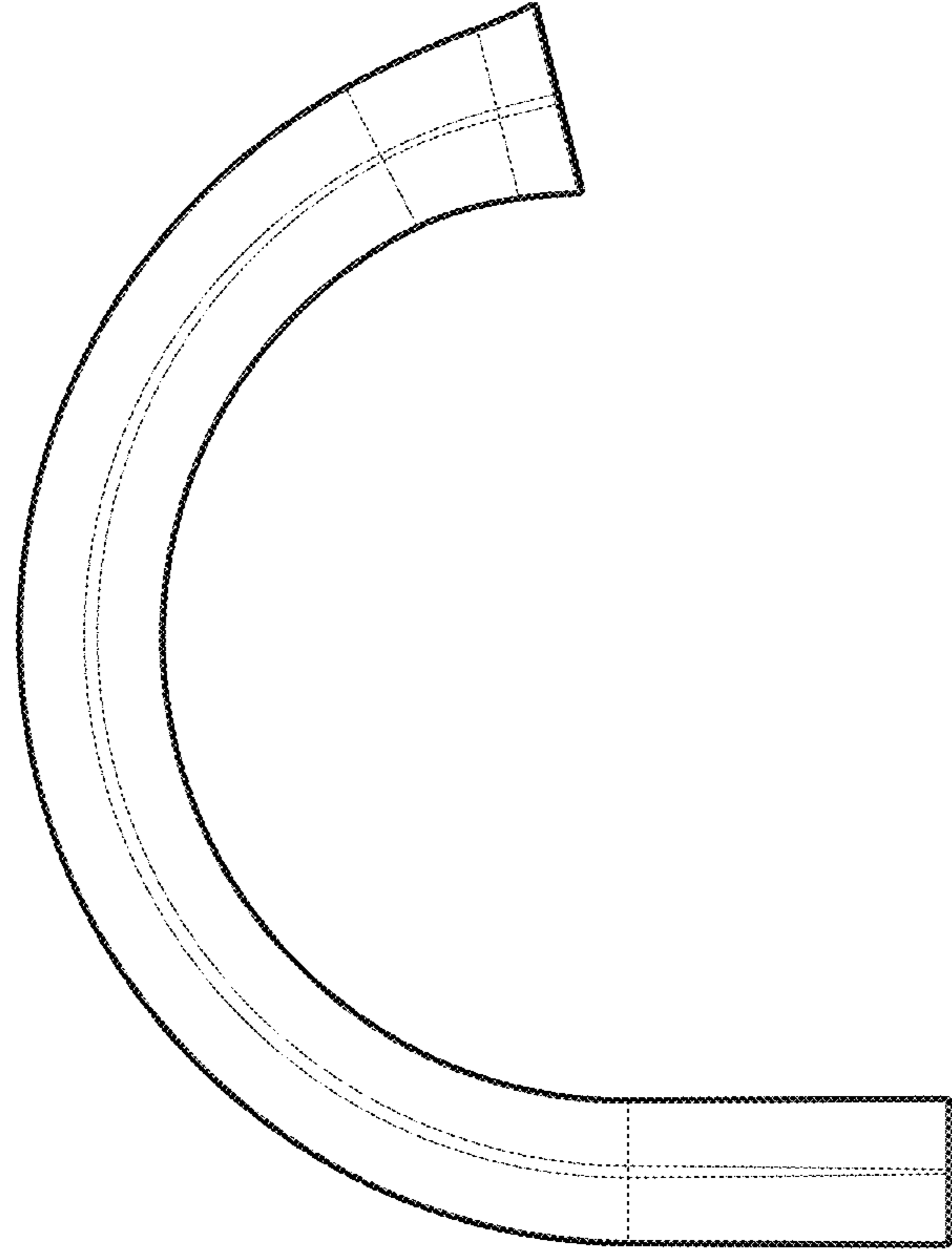


Fig. 6

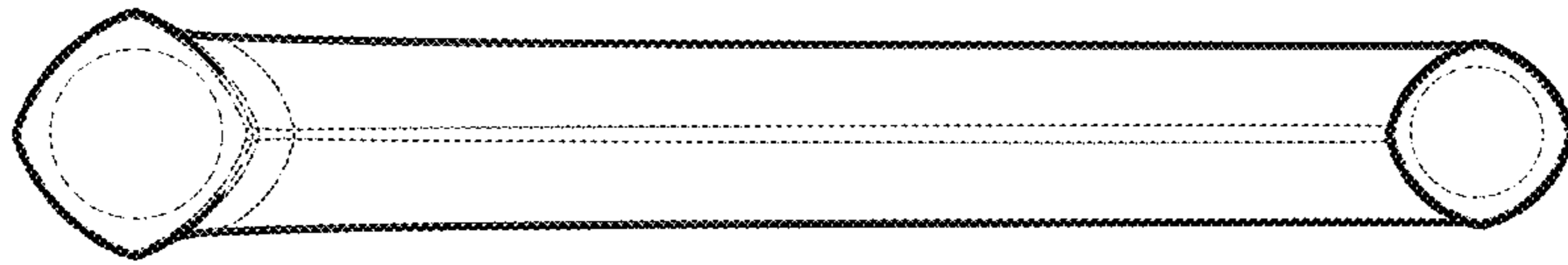


Fig. 8

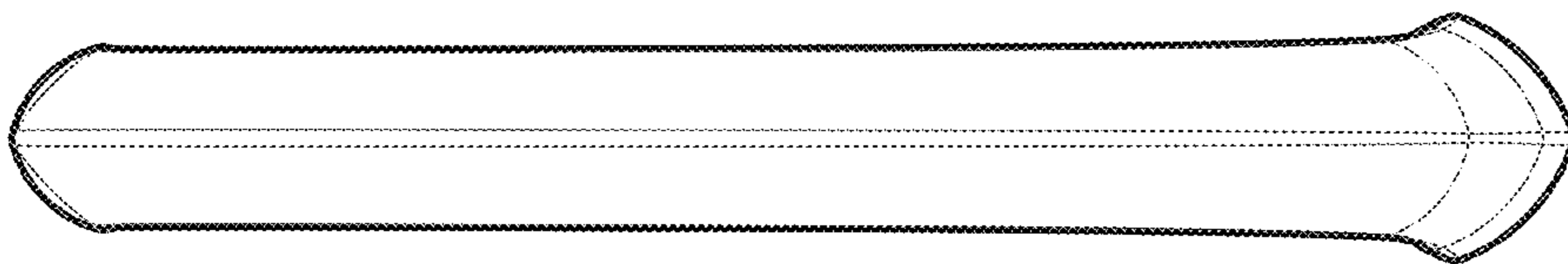


Fig. 7