



US00D879254S

(12) **United States Design Patent**  
**Seum et al.**

(10) **Patent No.:** **US D879,254 S**  
(45) **Date of Patent:** **\*\* Mar. 24, 2020**

(54) **MIXER**

(71) Applicant: **GROHE AG**, Hemer (DE)

(72) Inventors: **Michael Seum**, Duesseldorf (DE);  
**Jung-Beom Han**, Duesseldorf (DE)

(73) Assignee: **Grohe AG**, Hemer (DE)

(\*\*) Term: **15 Years**

(21) Appl. No.: **29/634,323**

(22) Filed: **Jan. 19, 2018**

(30) **Foreign Application Priority Data**

Jul. 20, 2017 (EM) ..... 004112647-0004

(51) **LOC (12) Cl.** ..... **23-01**

(52) **U.S. Cl.**  
USPC ..... **D23/253**

(58) **Field of Classification Search**  
USPC ..... D23/238, 239, 240, 241, 242, 243, 249,  
D23/250, 252, 255, 257, 253; D8/350,  
D8/353, 307

CPC ..... Y10T 137/9464; Y10T 137/6014; Y10T  
137/0491; E03C 1/02; E03C 1/04; E03C  
1/0404; E03C 1/042; G05D 11/02; G05D  
11/132

See application file for complete search history.

(56) **References Cited**

**U.S. PATENT DOCUMENTS**

D318,714 S \* 7/1991 Spangler ..... D23/253  
D436,653 S \* 1/2001 Lefroy-Brooks ..... D23/253  
D450,808 S \* 11/2001 Gottwald ..... D23/253  
D450,809 S \* 11/2001 Gottwald ..... D23/254  
D450,810 S \* 11/2001 Gottwald ..... D23/254  
D450,811 S \* 11/2001 Gottwald ..... D23/254  
D530,790 S \* 10/2006 Kohler, Jr. .... D23/252

D729,351 S \* 5/2015 Fritz ..... D23/253  
D796,642 S \* 9/2017 Andrew ..... D23/253  
2013/0283522 A1\* 10/2013 Novak ..... A61H 35/02  
4/678

**FOREIGN PATENT DOCUMENTS**

GB 3010809 \* 2/2003

**OTHER PUBLICATIONS**

Amazon, Ultra Shower Mixer Valve, posted Apr. 23, 2013, [online],  
[visited Jul. 19, 2019]. Internet, Url: [https://www.amazon.co.uk/TRADITIONAL-EXPOSED-Thermostatic-Shower-Chrome/dp/B0039YX8HQ/ref=olp\\_product\\_details?\\_encoding=UTF8&me=](https://www.amazon.co.uk/TRADITIONAL-EXPOSED-Thermostatic-Shower-Chrome/dp/B0039YX8HQ/ref=olp_product_details?_encoding=UTF8&me=) (Year: 2013).\*

\* cited by examiner

*Primary Examiner* — Sheryl Lane

*Assistant Examiner* — Samantha N Wood

(74) *Attorney, Agent, or Firm* — Muncy, Geissler, Olds & Lowe, P.C.

(57) **CLAIM**

The ornamental design for a mixer, as shown and described.

**DESCRIPTION**

FIG. 1 is a front perspective view of a mixer according to the present invention.

FIG. 2 is a front view of the mixer of FIG. 1.

FIG. 3 is a rear view of the mixer of FIG. 1.

FIG. 4 is a left side view of the mixer of FIG. 1.

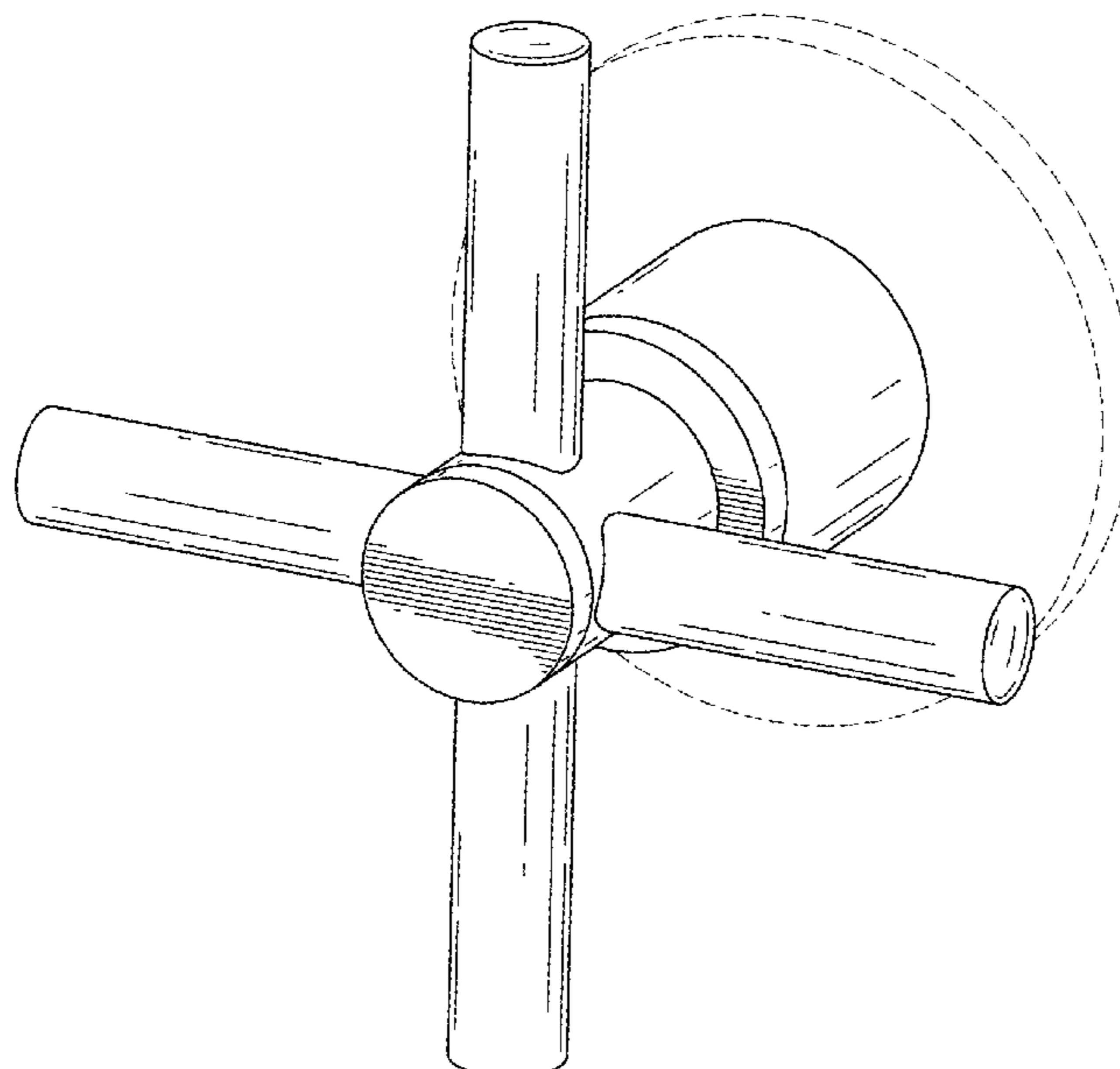
FIG. 5 is a right side view of the mixer of FIG. 1.

FIG. 6 is a top view of the mixer of FIG. 1; and,

FIG. 7 is a bottom view of the mixer of FIG. 1.

The broken lines are included for the purpose of showing the environmental structure and form no part of the claimed design.

**1 Claim, 7 Drawing Sheets**



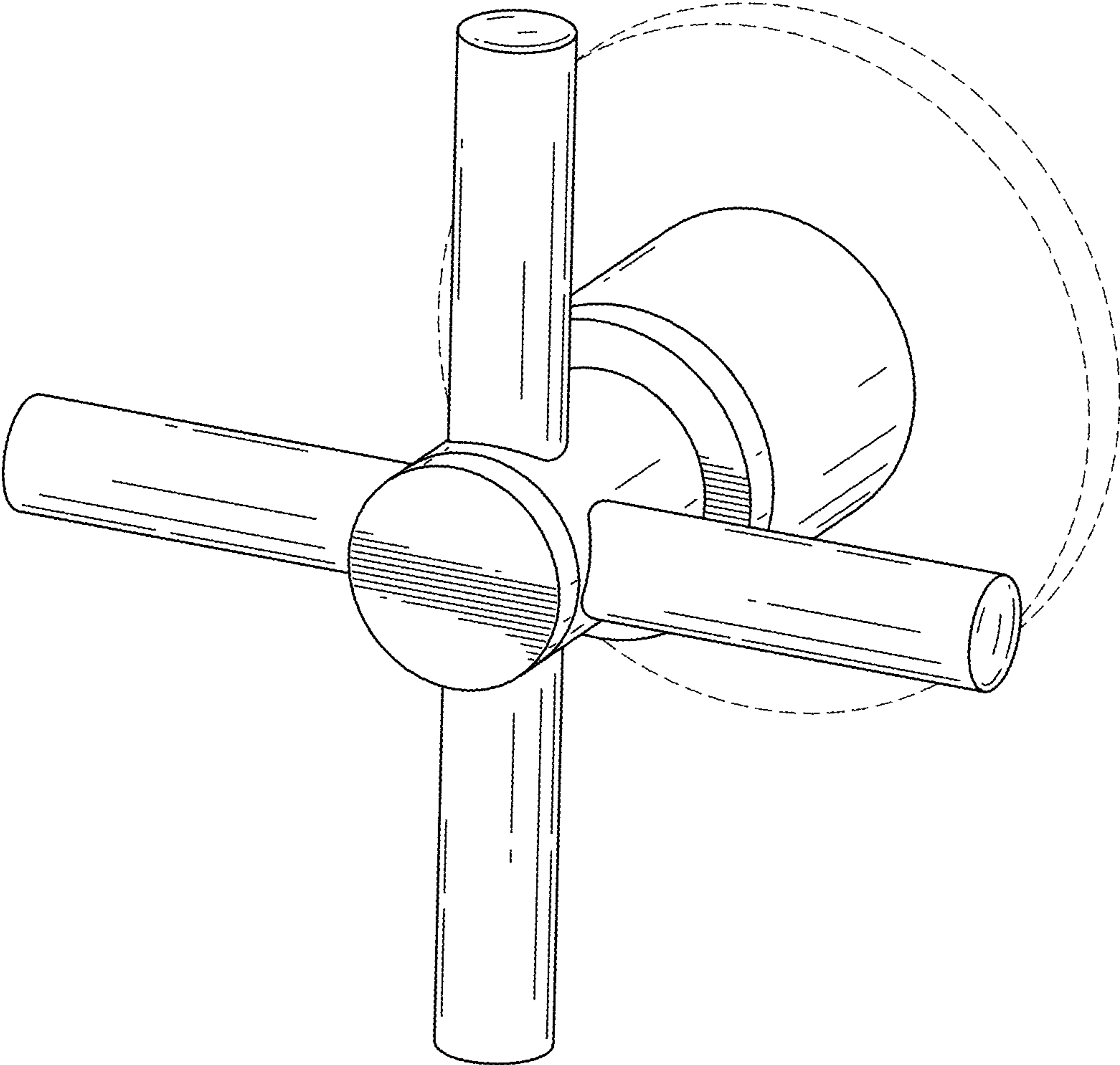


FIG.1

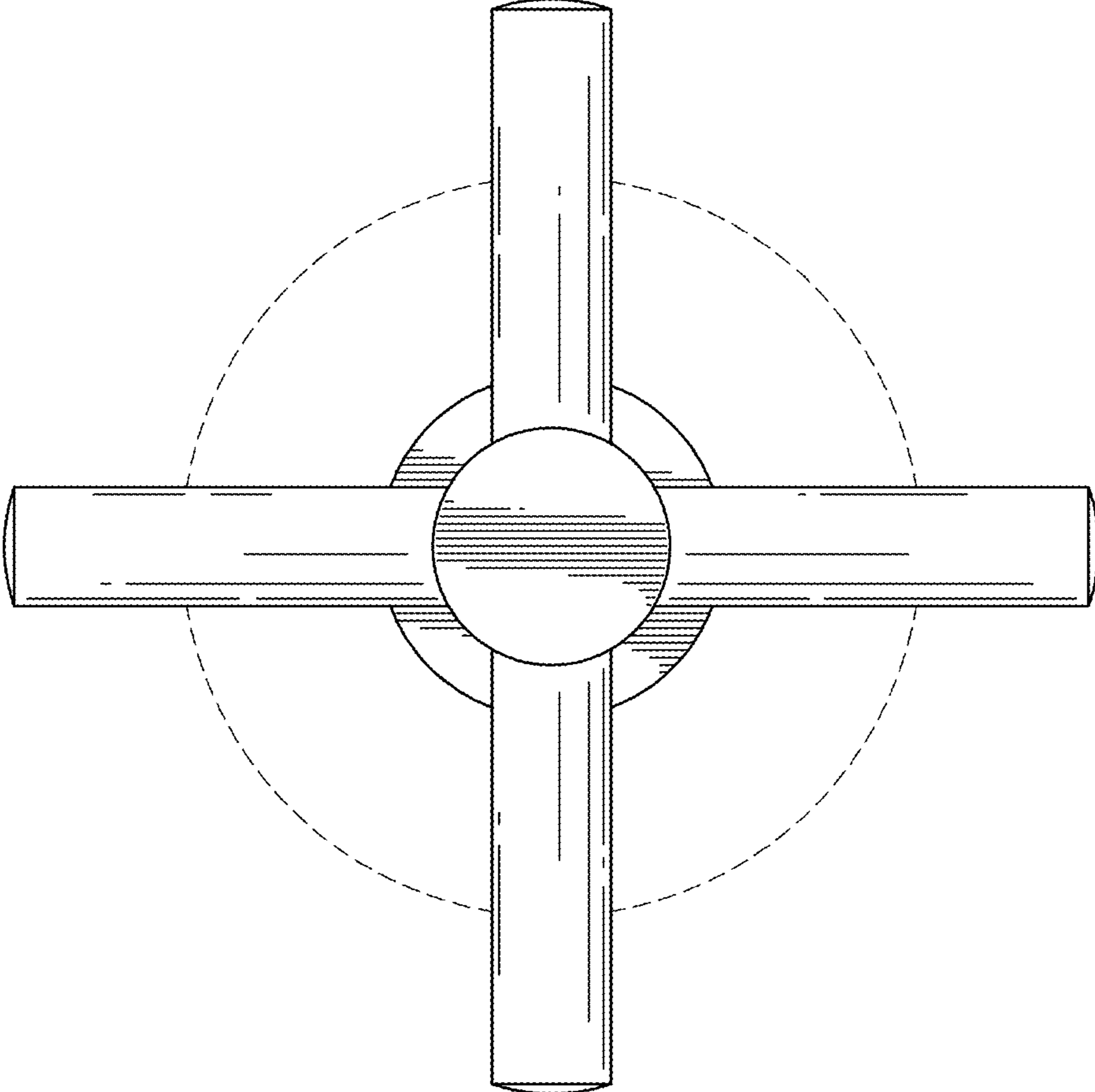


FIG.2

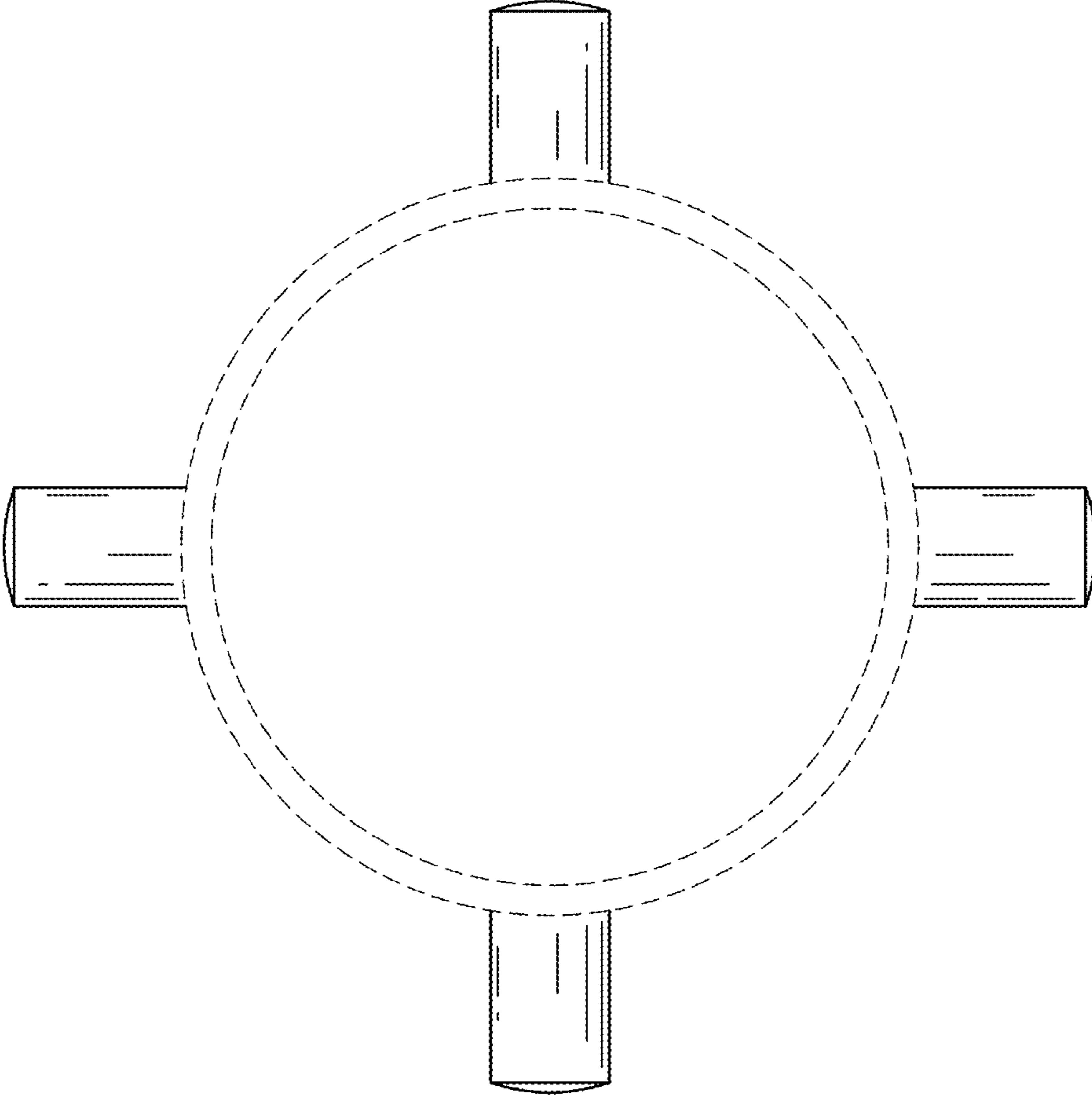


FIG.3

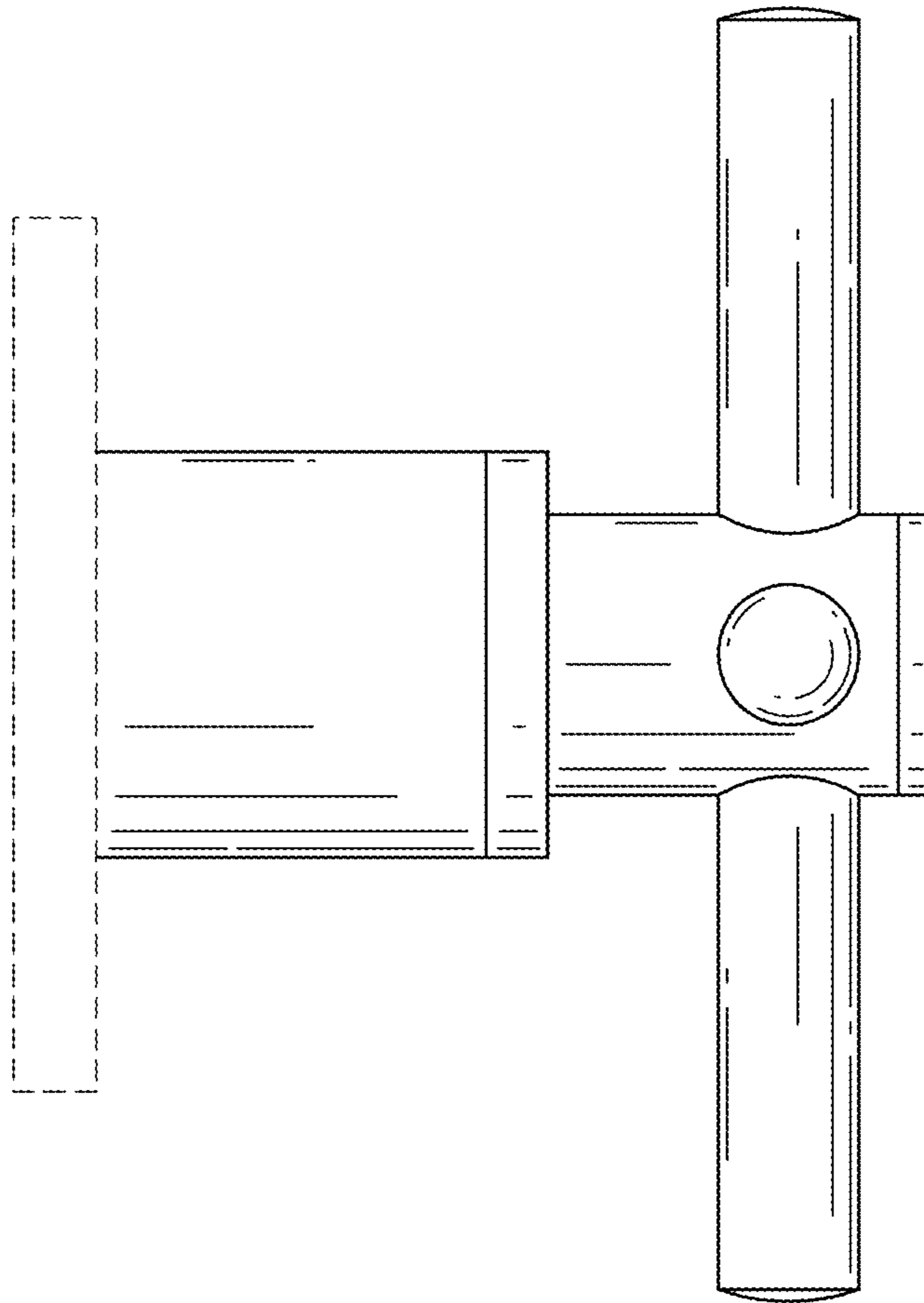


FIG.4

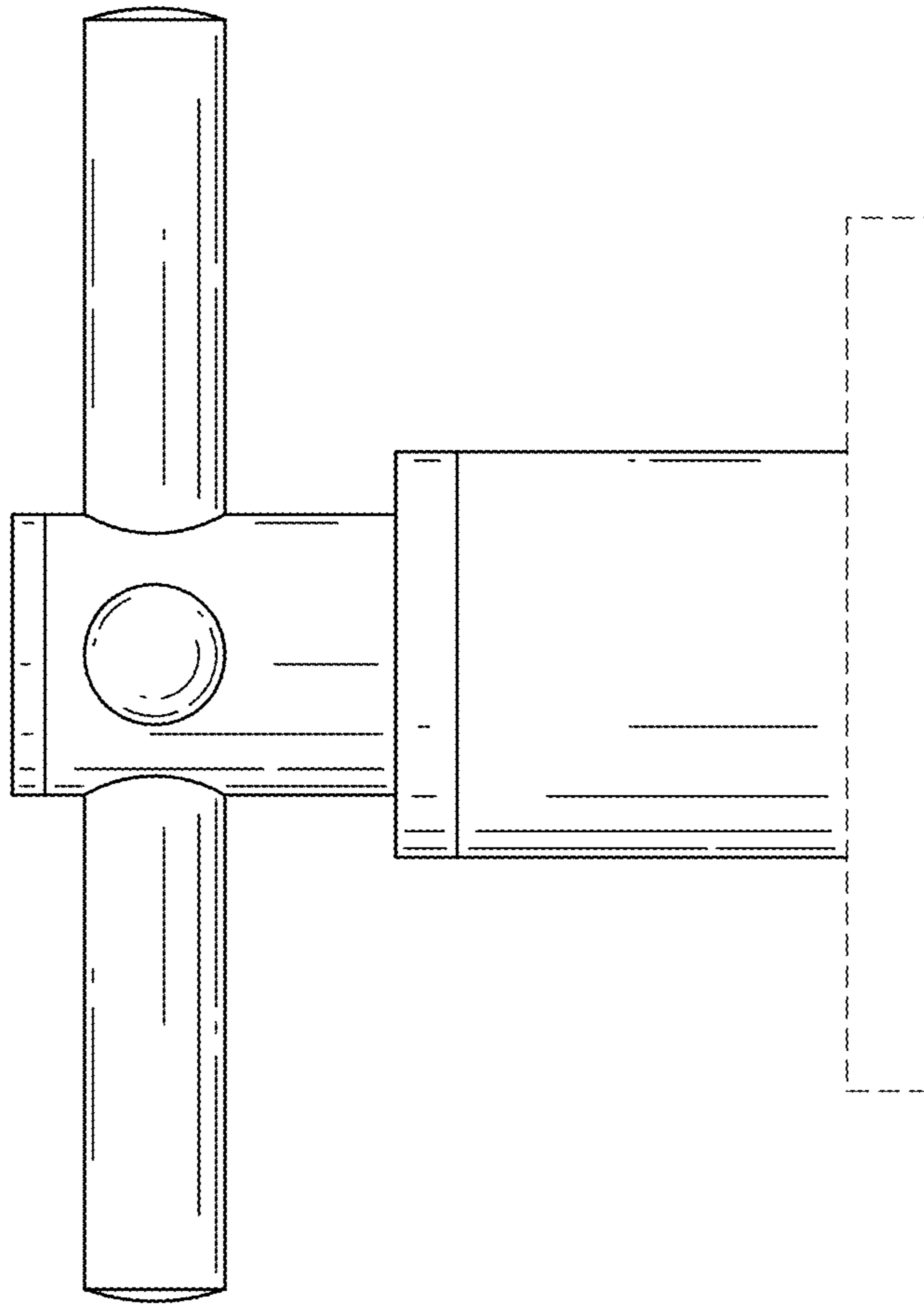


FIG.5

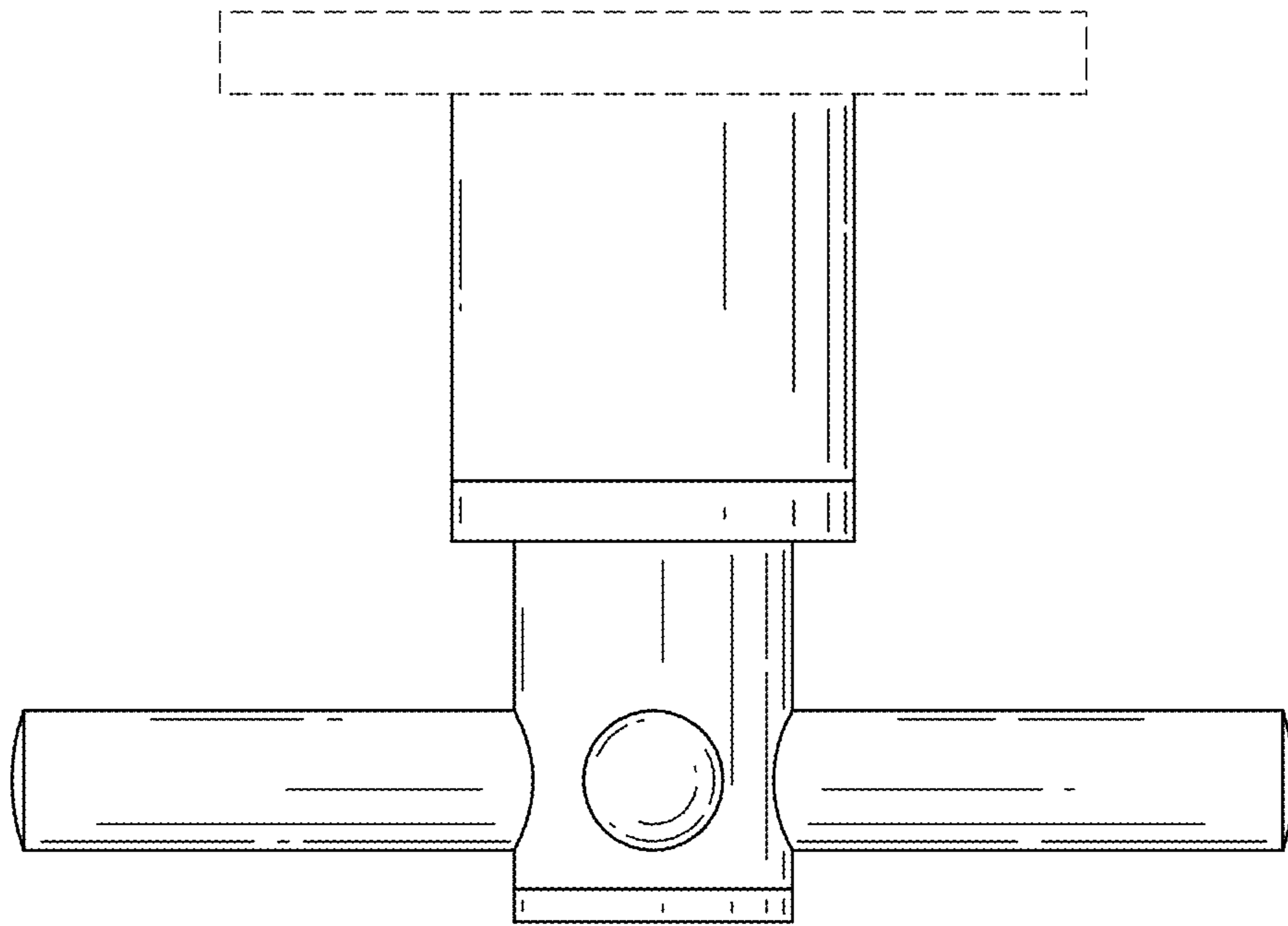


FIG.6

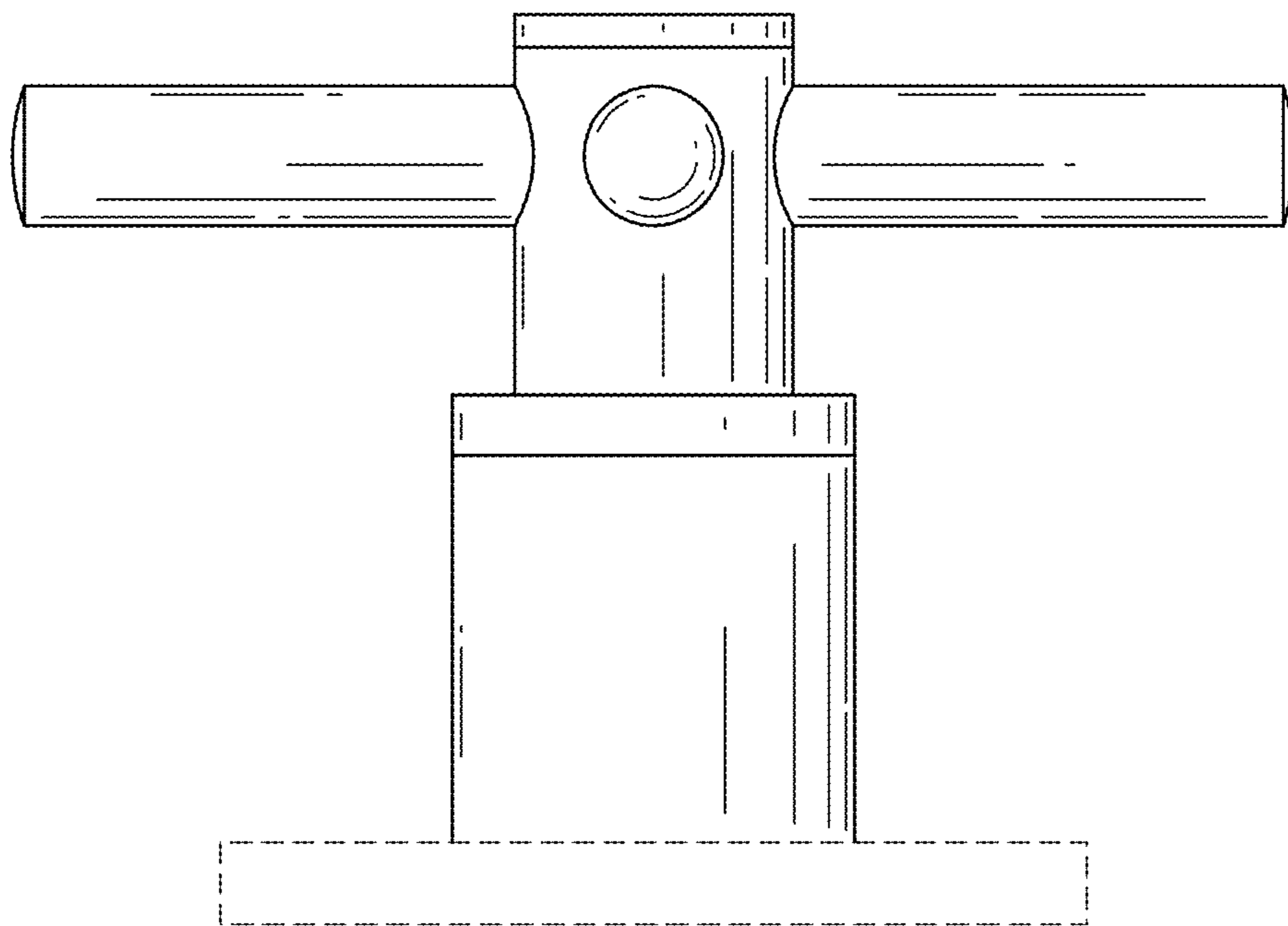


FIG.7