



US00D879253S

(12) **United States Design Patent**
Lazarini

(10) **Patent No.:** **US D879,253 S**
(45) **Date of Patent:** **** Mar. 24, 2020**

- (54) **FAUCET HANDLE**
- (71) Applicant: **DELTA FAUCET COMPANY,**
Indianapolis, IN (US)
- (72) Inventor: **Alejandra Lazarini,** Carmel, IN (US)
- (73) Assignee: **DELTA FAUCET COMPANY,**
Indianapolis, IN (US)
- (**) Term: **15 Years**
- (21) Appl. No.: **29/641,336**
- (22) Filed: **Mar. 21, 2018**
- (51) **LOC (12) Cl.** **23-01**
- (52) **U.S. Cl.**
USPC **D23/252**
- (58) **Field of Classification Search**
USPC D23/238–243, 249, 250–255, 257, 309;
D8/300, 307, 308
CPC Y10T 137/9464; E03C 1/04; E03C 1/0412
See application file for complete search history.

- D466,982 S * 12/2002 Gerlach D23/241
- D479,583 S * 9/2003 Citterio D23/241
- D522,634 S * 6/2006 Hoernig D23/252
- D523,938 S * 6/2006 Hoernig D23/257
- D533,639 S * 12/2006 Hoernig D23/242

* cited by examiner

Primary Examiner — Sheryl Lane

Assistant Examiner — Samantha N Wood

(74) *Attorney, Agent, or Firm* — Edgar A. Zarins; Nirav D. Parikh

(57) **CLAIM**

The ornamental design for a faucet handle, as shown and described.

DESCRIPTION

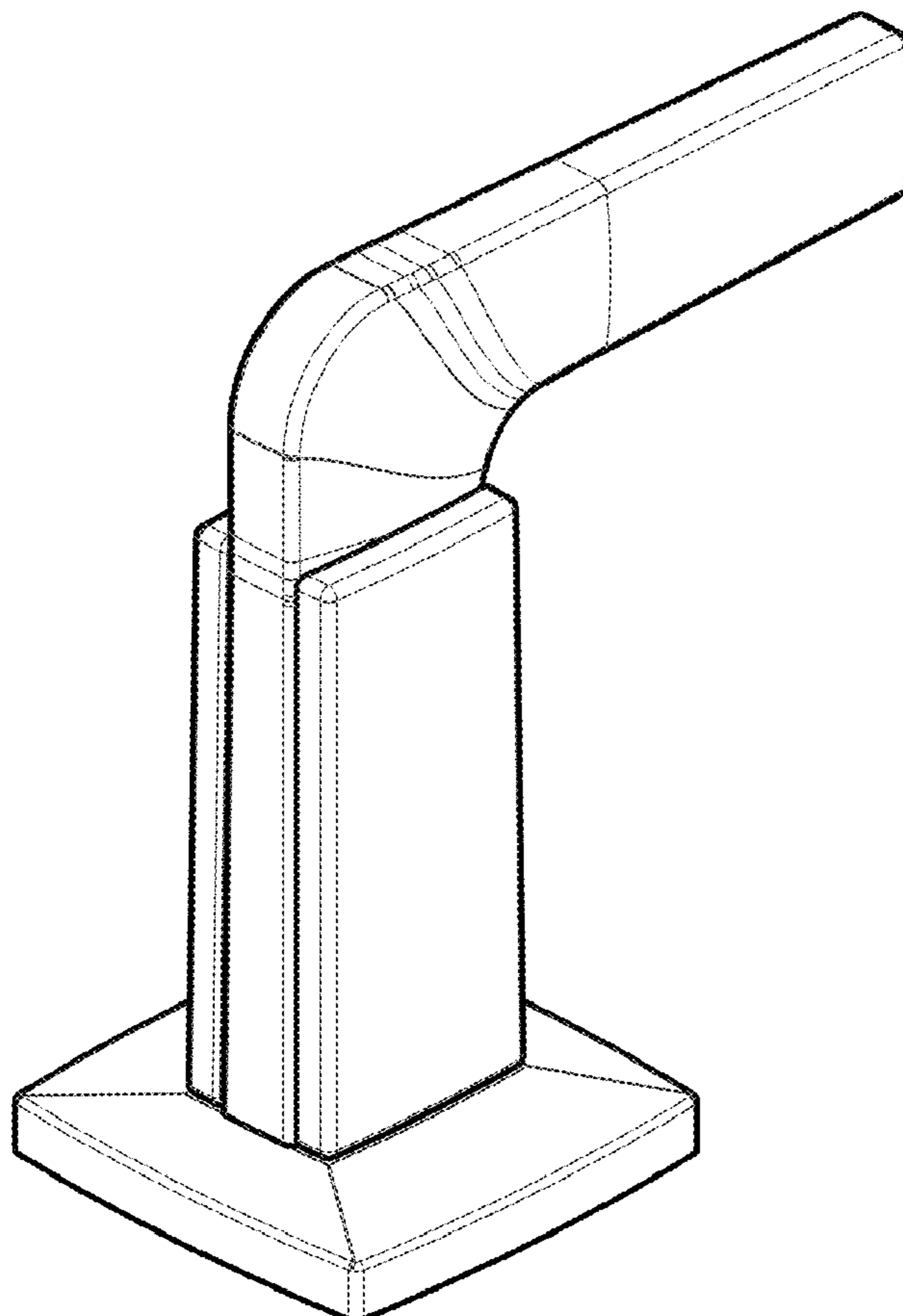
FIG. 1 is a front perspective view of a faucet handle showing my new design;
FIG. 2 is a rear perspective view thereof;
FIG. 3 is a front elevational view thereof;
FIG. 4 is a left side view thereof;
FIG. 5 is a right side view thereof;
FIG. 6 is a second end view thereof; and,
FIG. 7 is a top plan view thereof.

1 Claim, 4 Drawing Sheets

(56) **References Cited**

U.S. PATENT DOCUMENTS

- D297,758 S * 9/1988 Paul D23/252
- D311,320 S * 10/1990 Jans D8/308



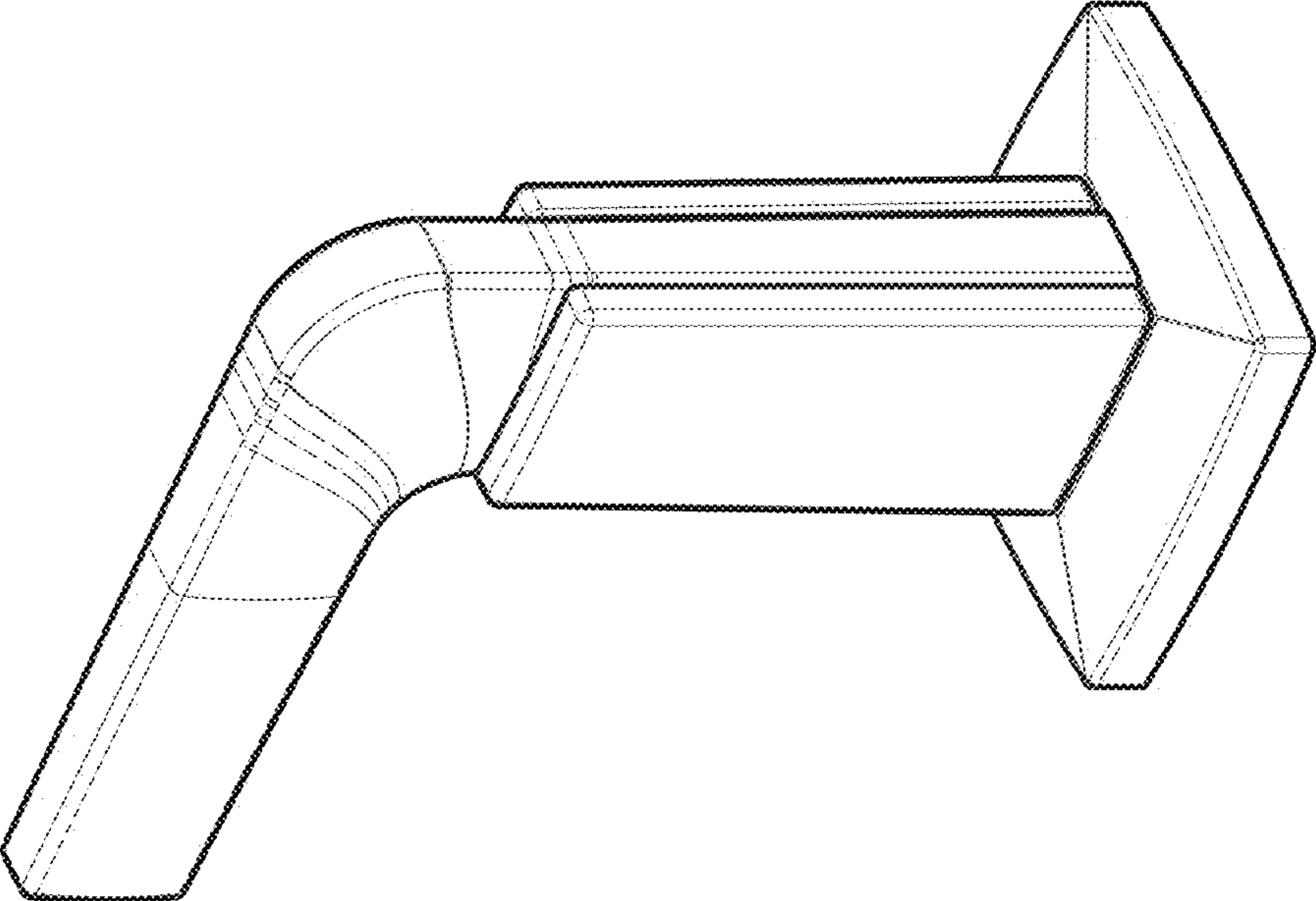


Fig. 2

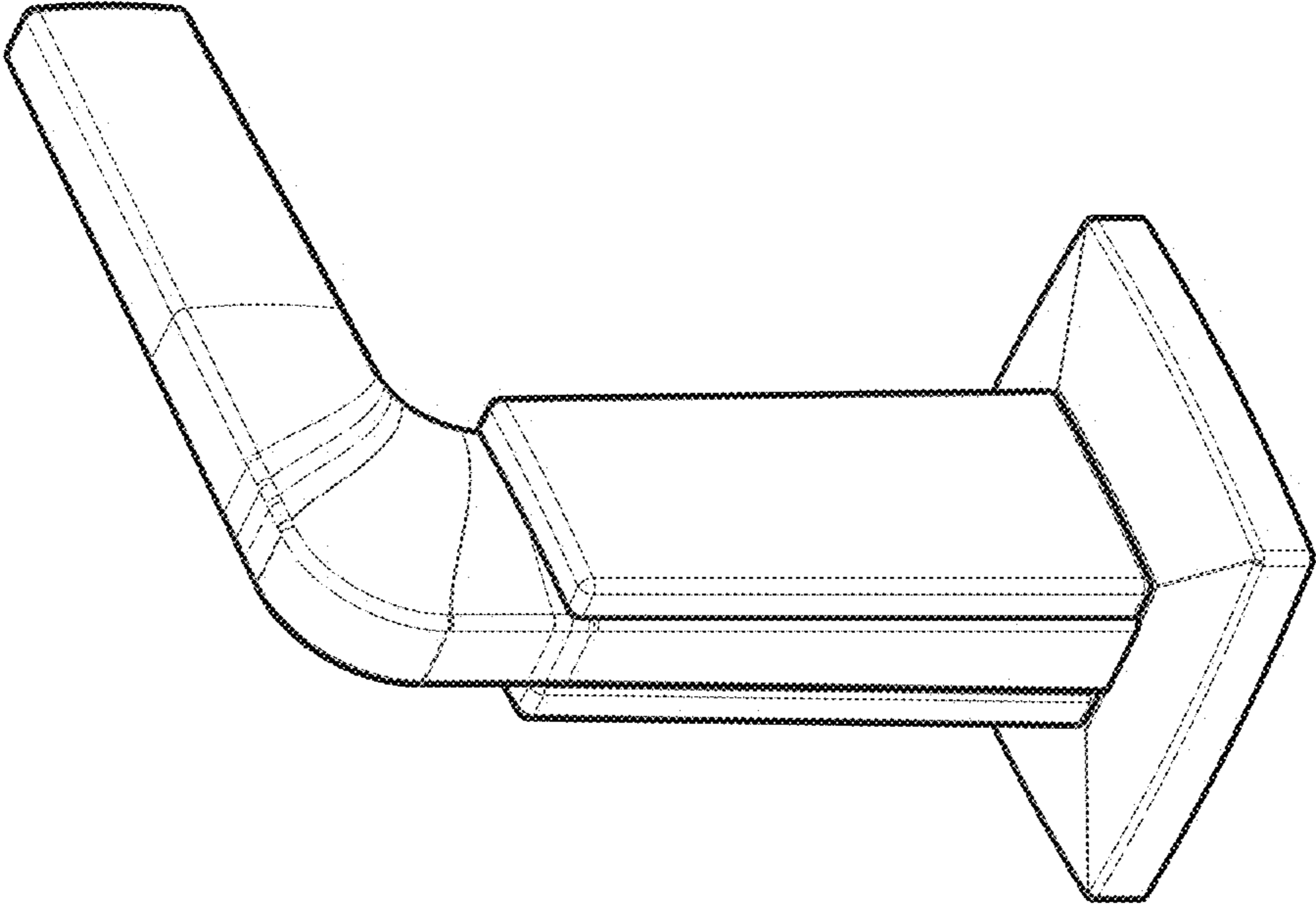


Fig. 1

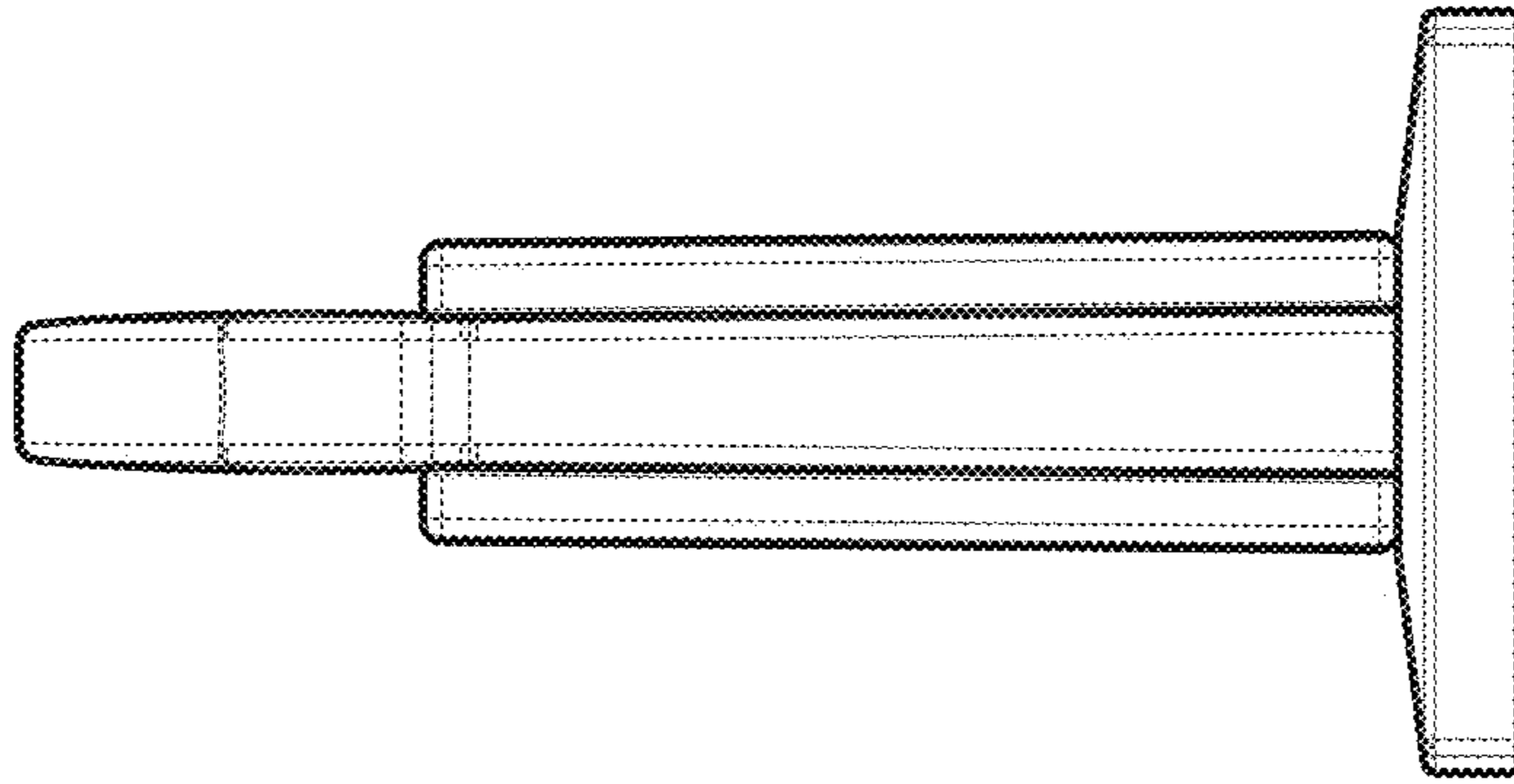


Fig. 4

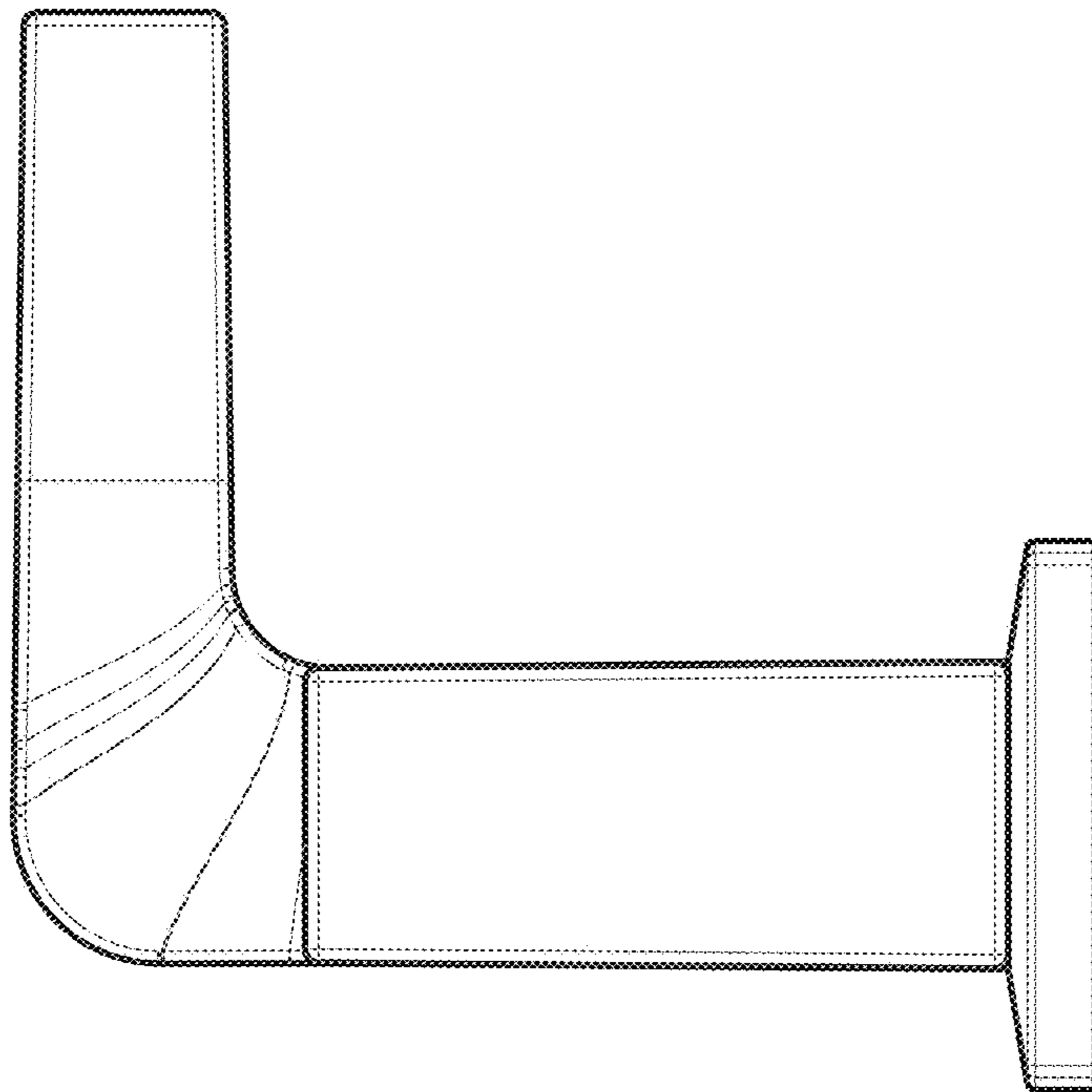


Fig. 3

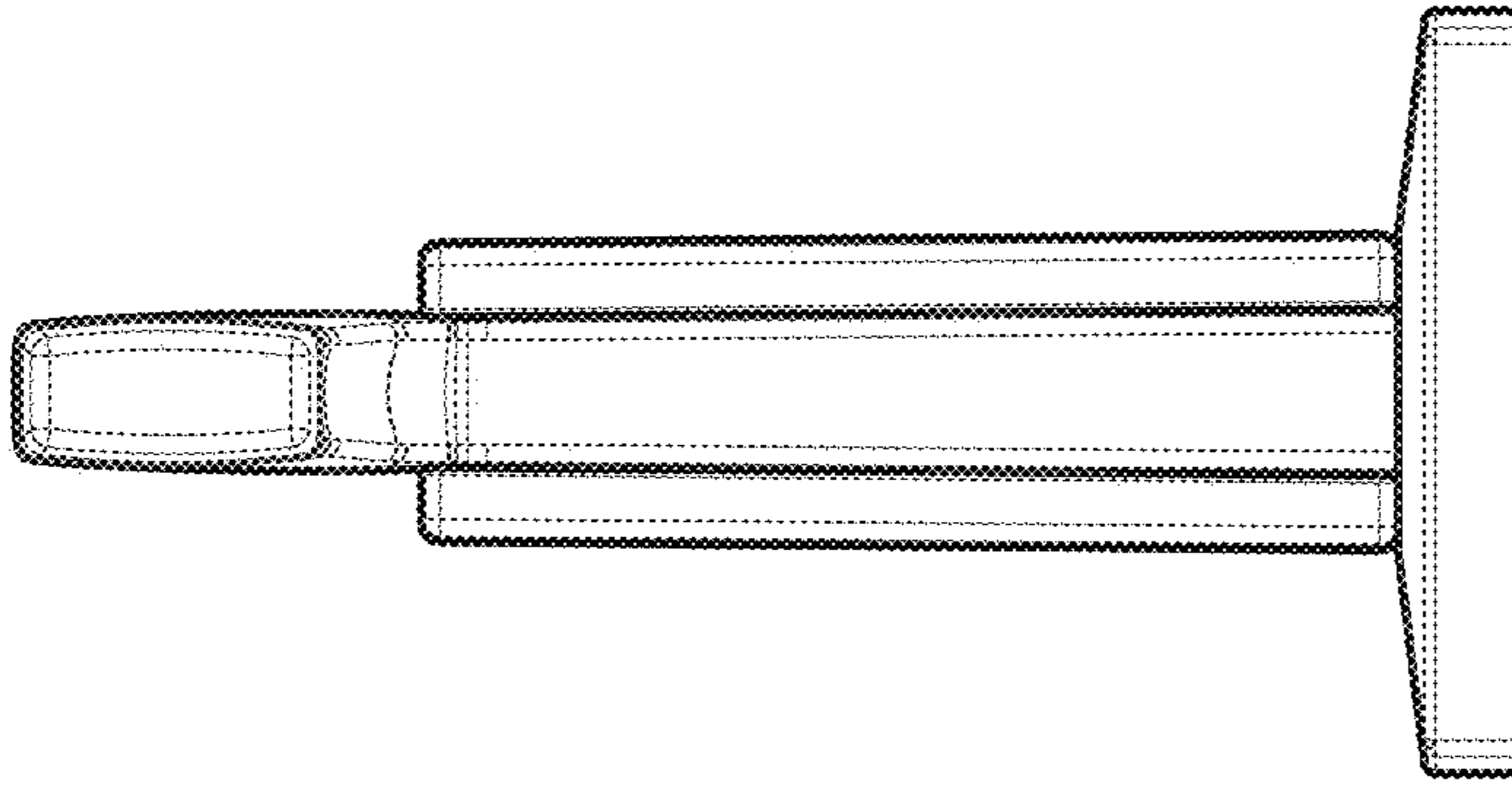


Fig. 6

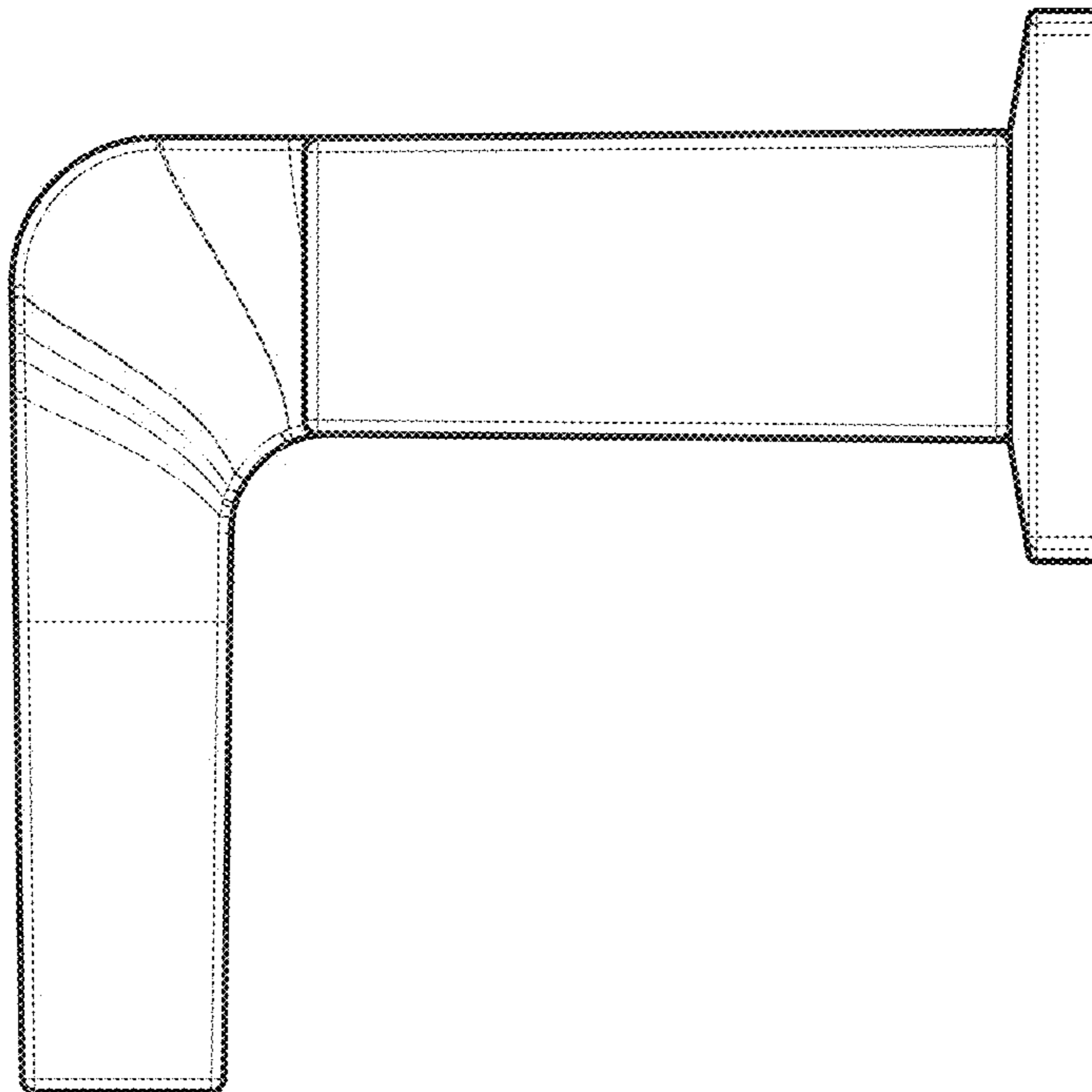


Fig. 5

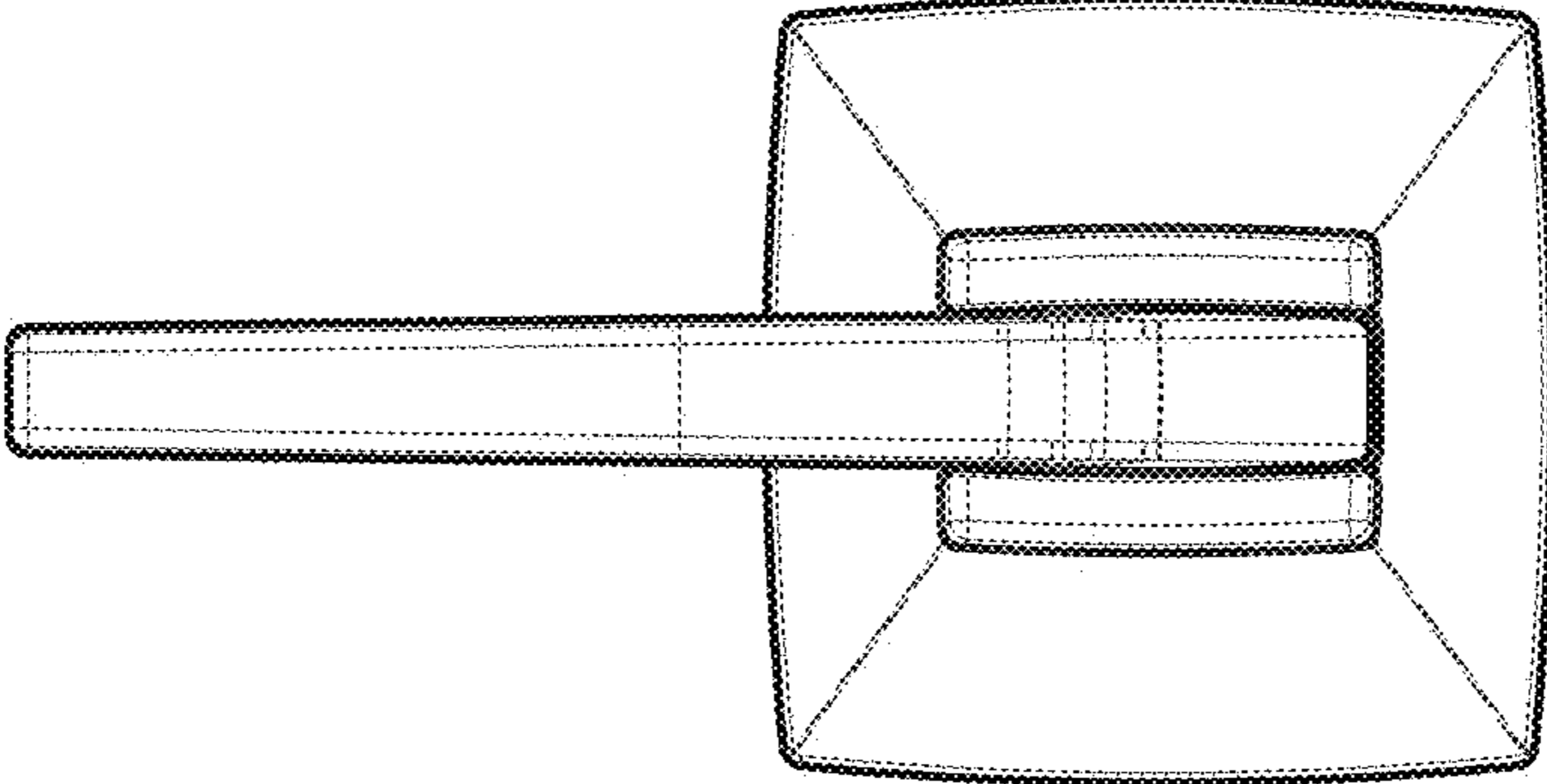


Fig. 7