



US00D879251S

(12) **United States Design Patent**
Glaser

(10) **Patent No.:** **US D879,251 S**

(45) **Date of Patent:** **** Mar. 24, 2020**

(54) **HYDRAULIC VALVE**
(71) Applicant: **HAWE Hydraulik SE**, Aschheim (DE)
(72) Inventor: **Johannes Glaser**, Aschheim (DE)
(73) Assignee: **HAWE Hydraulik SE**, Aschheim (DE)
(**) Term: **15 Years**

D645,547 S * 9/2011 Lombardi D23/262
D704,543 S * 5/2014 Kuhmichel D8/397
D726,287 S * 4/2015 Steele D23/262
D761,630 S * 7/2016 Li D8/29
D790,044 S * 6/2017 Li D23/262
D830,312 S * 10/2018 Nguyen D13/154
D842,816 S * 3/2019 Nguyen D13/154
D852,929 S * 7/2019 Nelson D23/209

* cited by examiner

(21) Appl. No.: **29/670,626**
(22) Filed: **Nov. 18, 2018**

Primary Examiner — Cynthia Ramirez
Assistant Examiner — Gino Colan
(74) *Attorney, Agent, or Firm* — Aslan Law, P.C.

(30) **Foreign Application Priority Data**

May 25, 2018 (EM) 005 282 936-0003

(51) **LOC (12) Cl.** **23-01**

(52) **U.S. Cl.**
USPC **D23/233**

(58) **Field of Classification Search**
USPC D23/233, 235, 237, 241–249, 259, 260,
D23/262, 209; D24/110.6, 129;
137/15.18, 15.19, 218, 512.4, 515, 515.5,
137/515.7, 883; 81/124.2; D8/29, 397;
D13/154
CPC F16K 31/12; F16K 1/126; F16K 31/122;
F16K 31/1226; B25B 13/06; B25B
13/065
See application file for complete search history.

(56) **References Cited**

U.S. PATENT DOCUMENTS

2,503,364 A * 4/1950 Viets B25B 13/06
81/124.2
D484,036 S * 12/2003 Koch D8/397

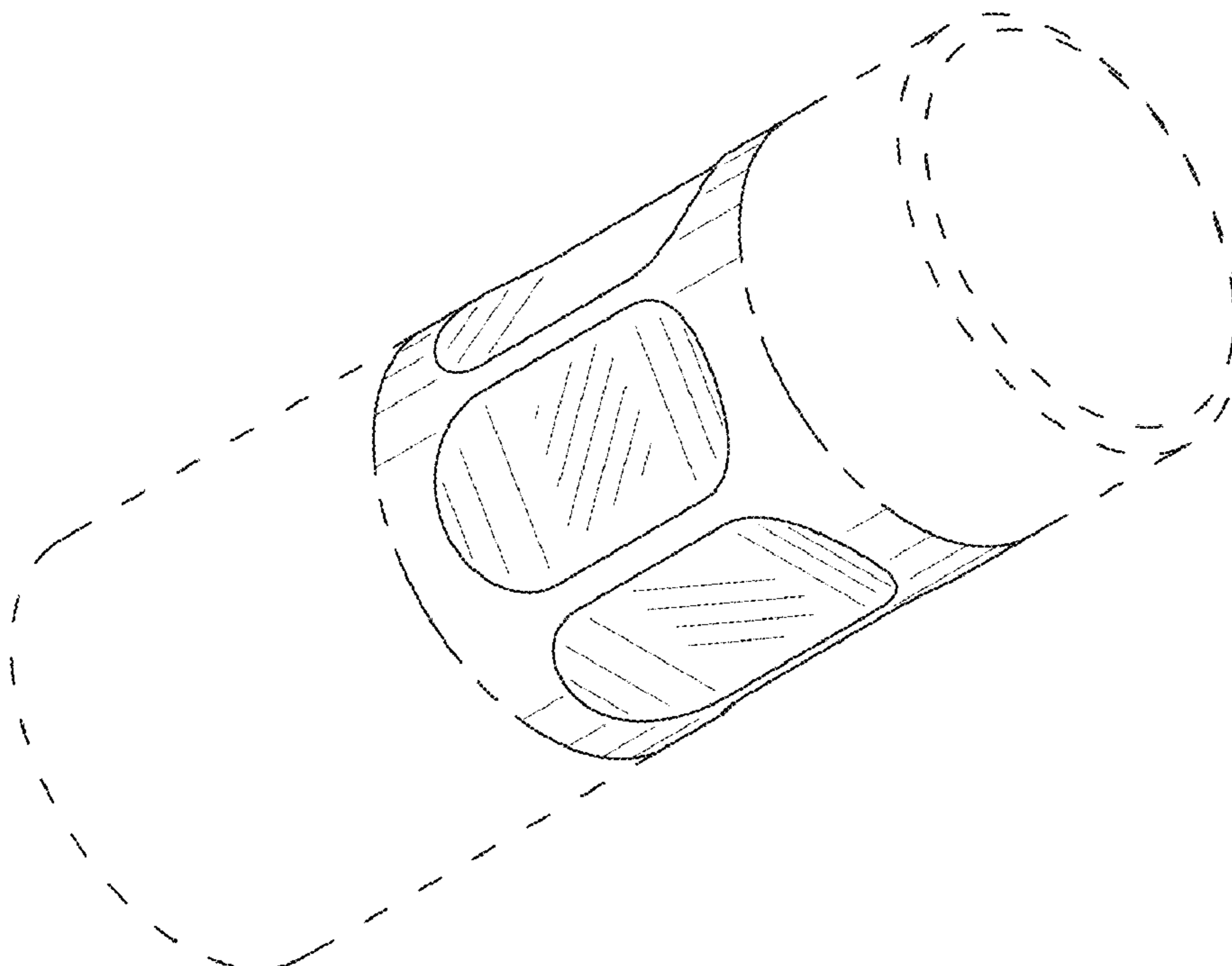
(57) **CLAIM**

The ornamental design for a hydraulic valve, as shown and described.

DESCRIPTION

FIG. 1 is a perspective view of a hydraulic valve showing my new design;
FIG. 2 is a first side view thereof;
FIG. 3 is a second side view thereof;
FIG. 4 is a top view thereof; and,
FIG. 5 is a bottom view thereof.
The evenly dashed broken lines shown in the figures are for the purpose of illustrating portions of the hydraulic valve and form no part of the claimed design. The long dash-short dash broken lines shown in FIGS. 1-3 are for the purpose of illustrating bounds of the claimed design.

1 Claim, 5 Drawing Sheets



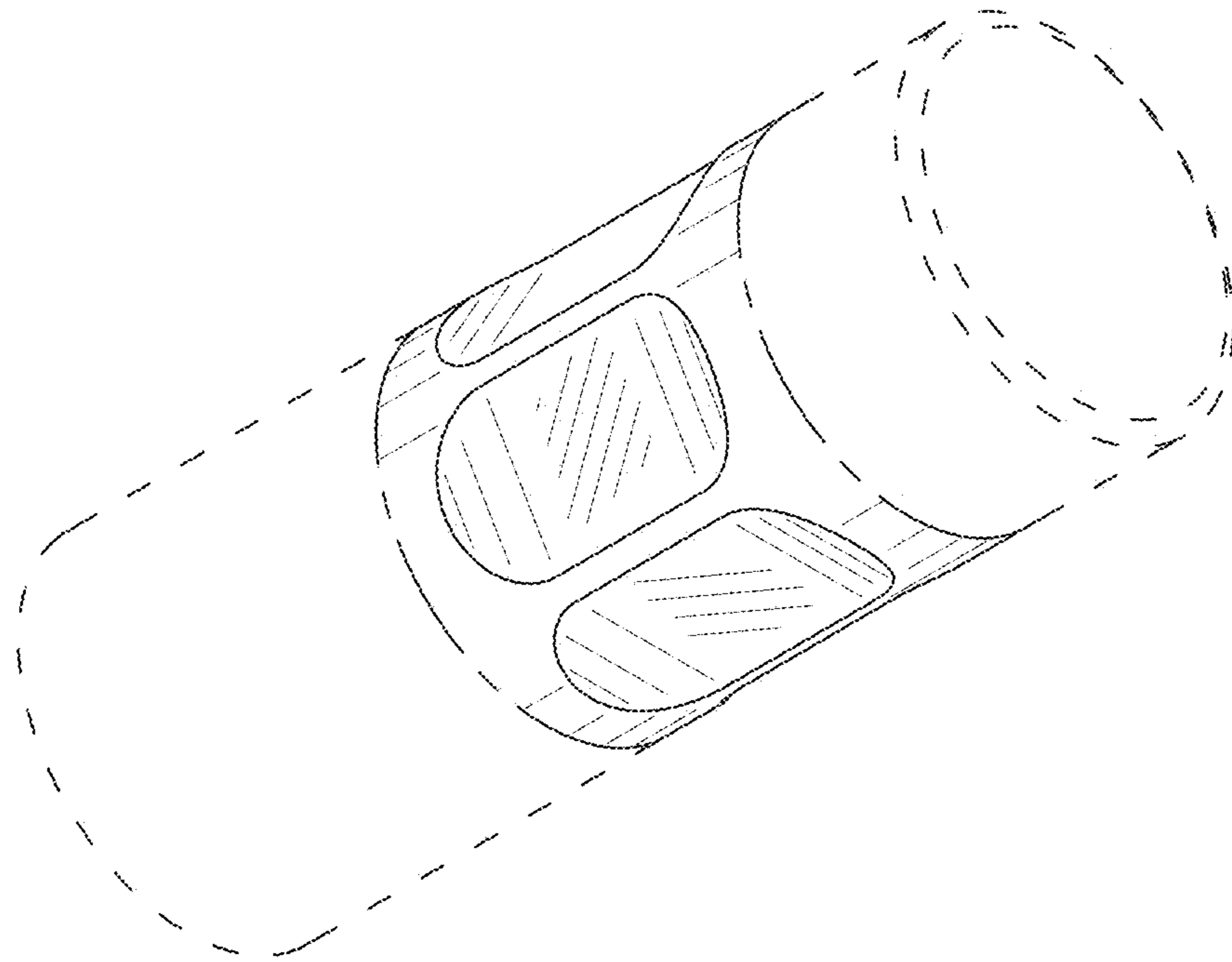


FIG. 1

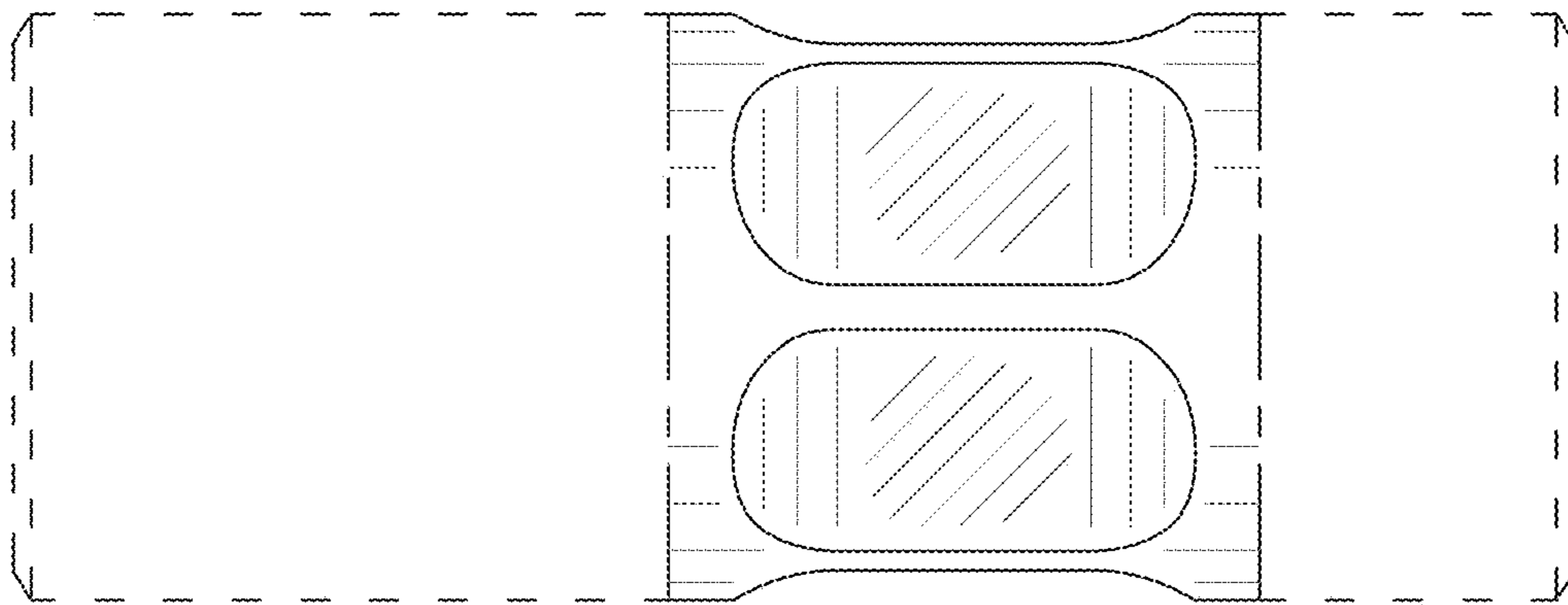


FIG. 2

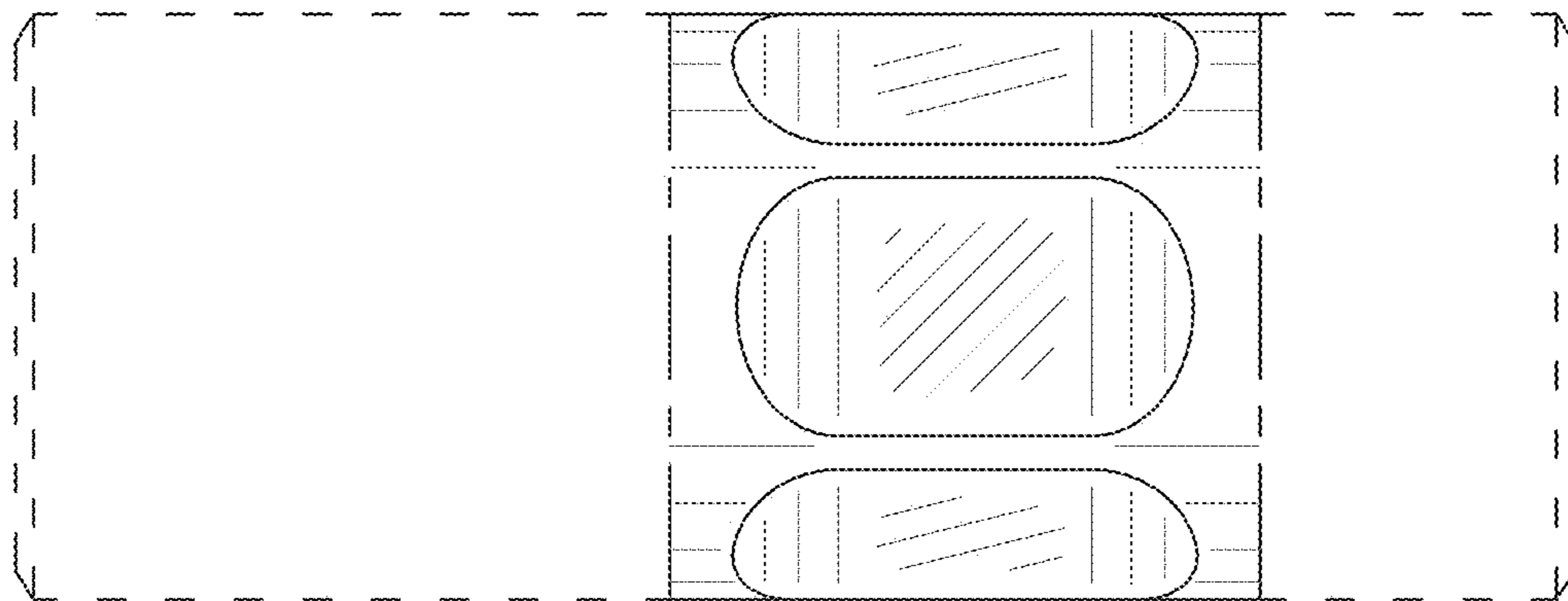


FIG. 3

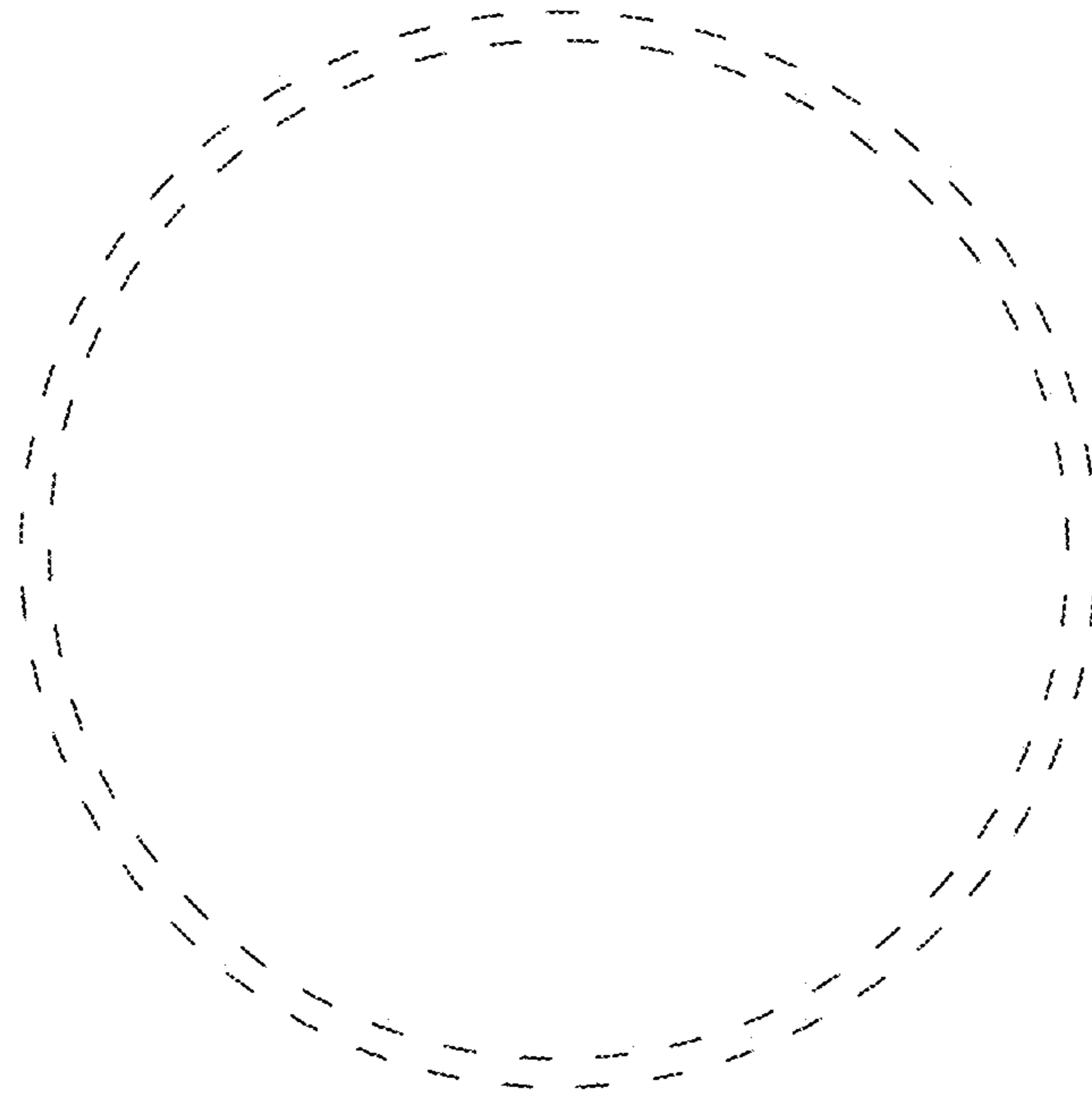


FIG. 4

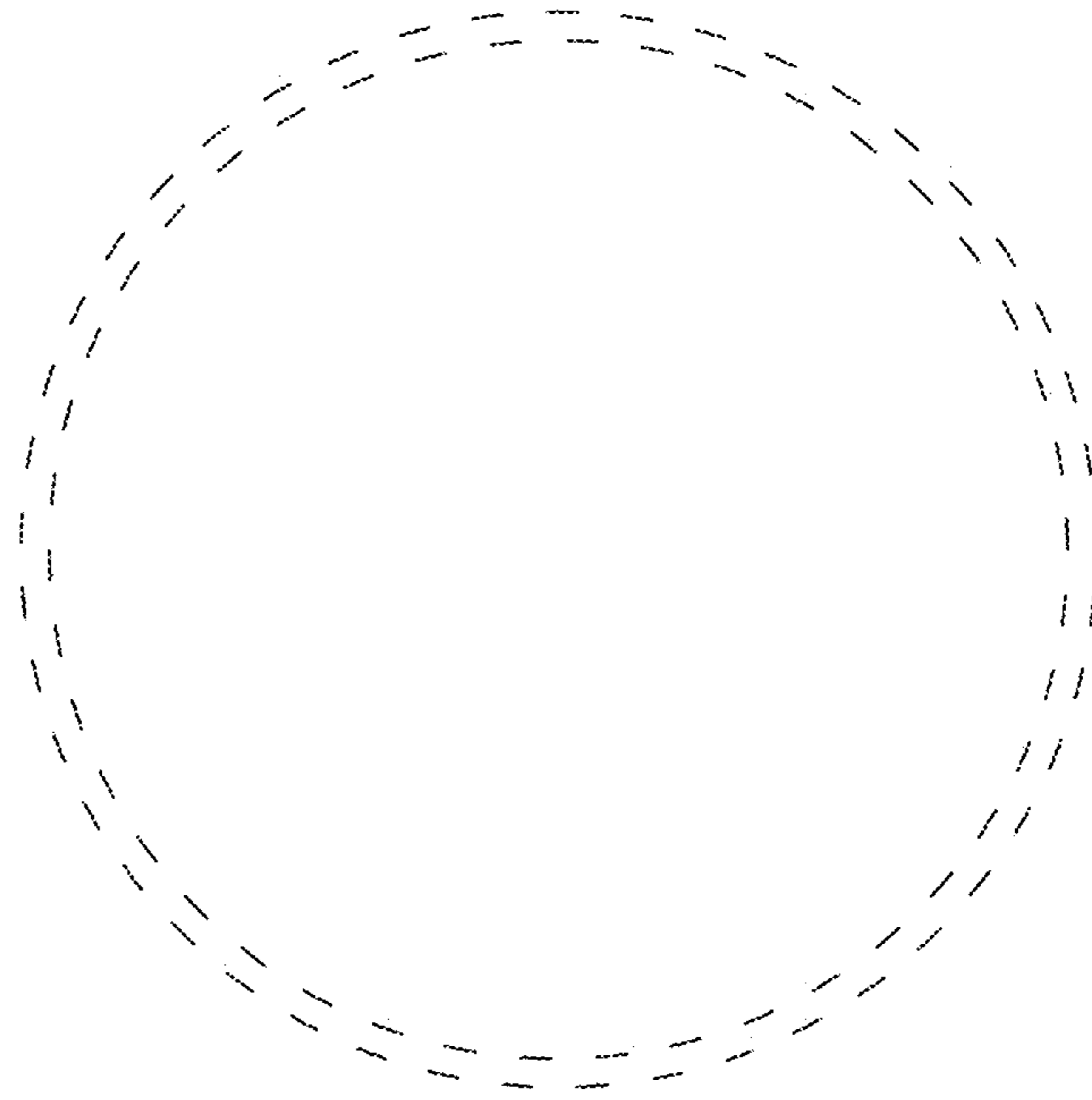


FIG. 5