



US00D879250S

(12) **United States Design Patent**
Glaser

(10) **Patent No.:** **US D879,250 S**

(45) **Date of Patent:** **** Mar. 24, 2020**

(54) **HYDRAULIC VALVE**

(71) Applicant: **HAWE Hydraulik SE**, Aschheim (DE)

(72) Inventor: **Johannes Glaser**, Aschheim (DE)

(73) Assignee: **HAWE Hydraulik SE**, Aschheim (DE)

(**) Term: **15 Years**

(21) Appl. No.: **29/670,625**

(22) Filed: **Nov. 18, 2018**

(30) **Foreign Application Priority Data**

May 25, 2018 (EM) 005 282 936-0002

(51) **LOC (12) Cl.** **23-01**

(52) **U.S. Cl.**
USPC **D23/233**

(58) **Field of Classification Search**

USPC D23/233, 235, 237, 241-249, 259, 260,
D23/262, 209; 137/15.18, 15.19, 218,
137/512.4, 515, 515.5, 515.7, 883;
D24/110.6, 129; D8/29, 397; 81/121.1,
81/124.2; D13/154

CPC F16K 31/12; F16K 1/126; F16K 31/122;
F16K 31/1226

See application file for complete search history.

(56) **References Cited**

U.S. PATENT DOCUMENTS

D494,255 S * 8/2004 Nortier D23/249
D494,256 S * 8/2004 Nortier D23/249

D570,457 S * 6/2008 Brown D23/262
D645,547 S * 9/2011 Lombardi D23/262
8,899,284 B2 * 12/2014 Hemingway B60K 15/04
137/15.18
D726,287 S * 4/2015 Steele D23/262
D761,630 S * 7/2016 Li D8/29
D830,312 S * 10/2018 Nguyen D13/154
D842,816 S * 3/2019 Nguyen D13/154
2009/0283157 A1 * 11/2009 Hogan F16K 15/063
137/542

* cited by examiner

Primary Examiner — Cynthia Ramirez

Assistant Examiner — Gino Colan

(74) *Attorney, Agent, or Firm* — Aslan Law, P.C.

(57) **CLAIM**

The ornamental design for a hydraulic valve, as shown and described.

DESCRIPTION

FIG. 1 is a perspective view of a hydraulic valve showing my new design;

FIG. 2 is a first side view thereof;

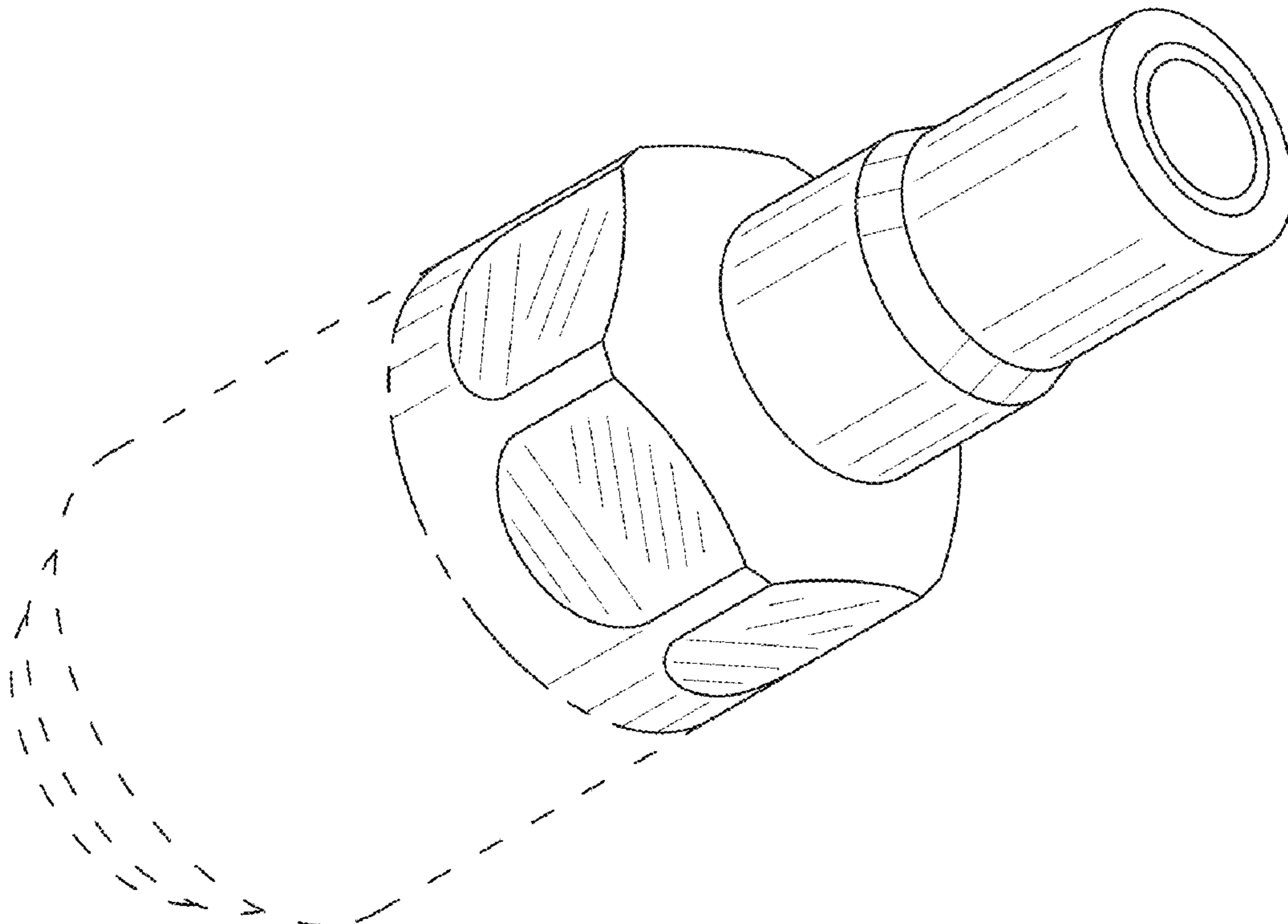
FIG. 3 is a second side view thereof;

FIG. 4 is a top view thereof; and,

FIG. 5 is a bottom view thereof.

The broken lines shown in the figures are included for the purpose of illustrating portions of the hydraulic valve which form no part of the claimed design.

1 Claim, 5 Drawing Sheets



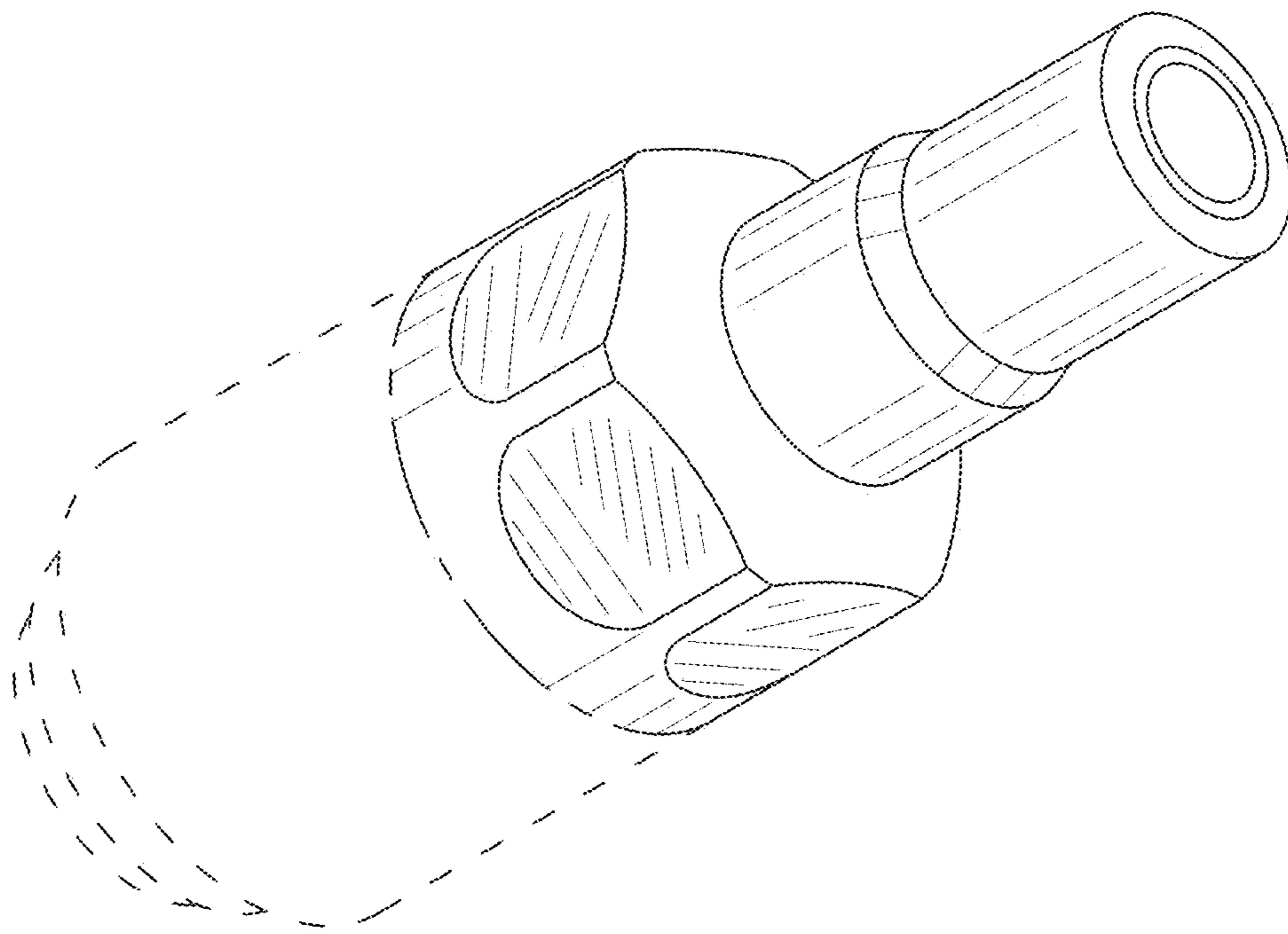


FIG. 1

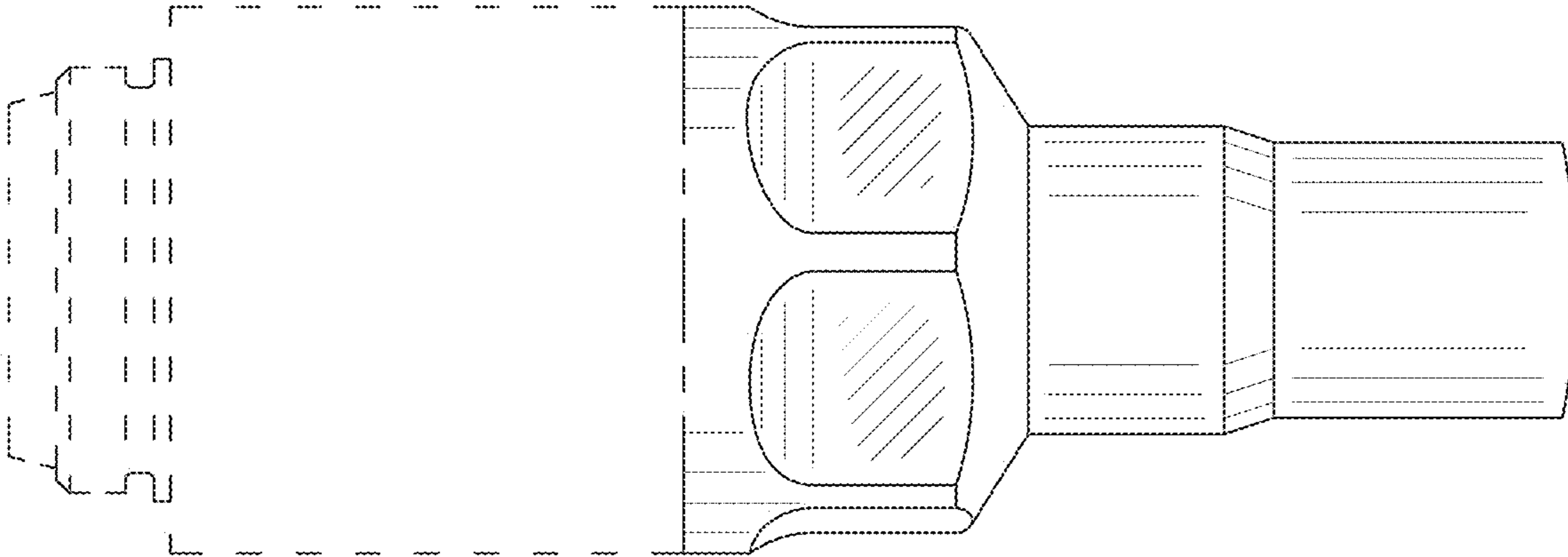


FIG. 2

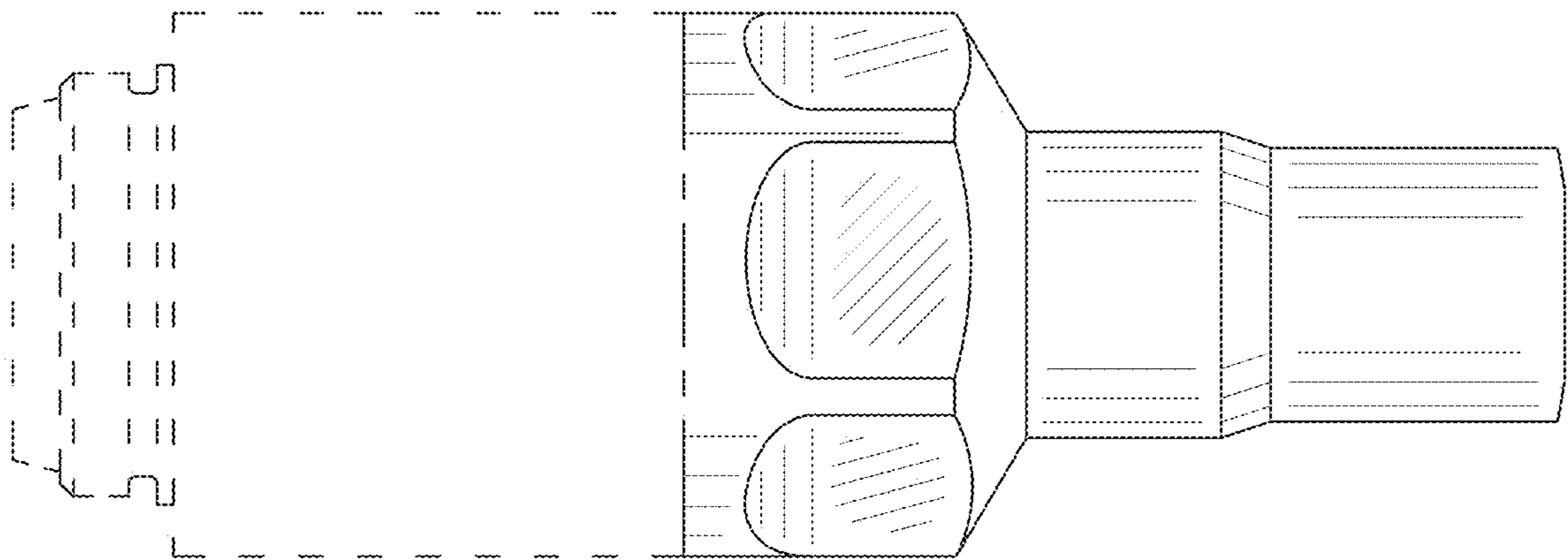


FIG. 3

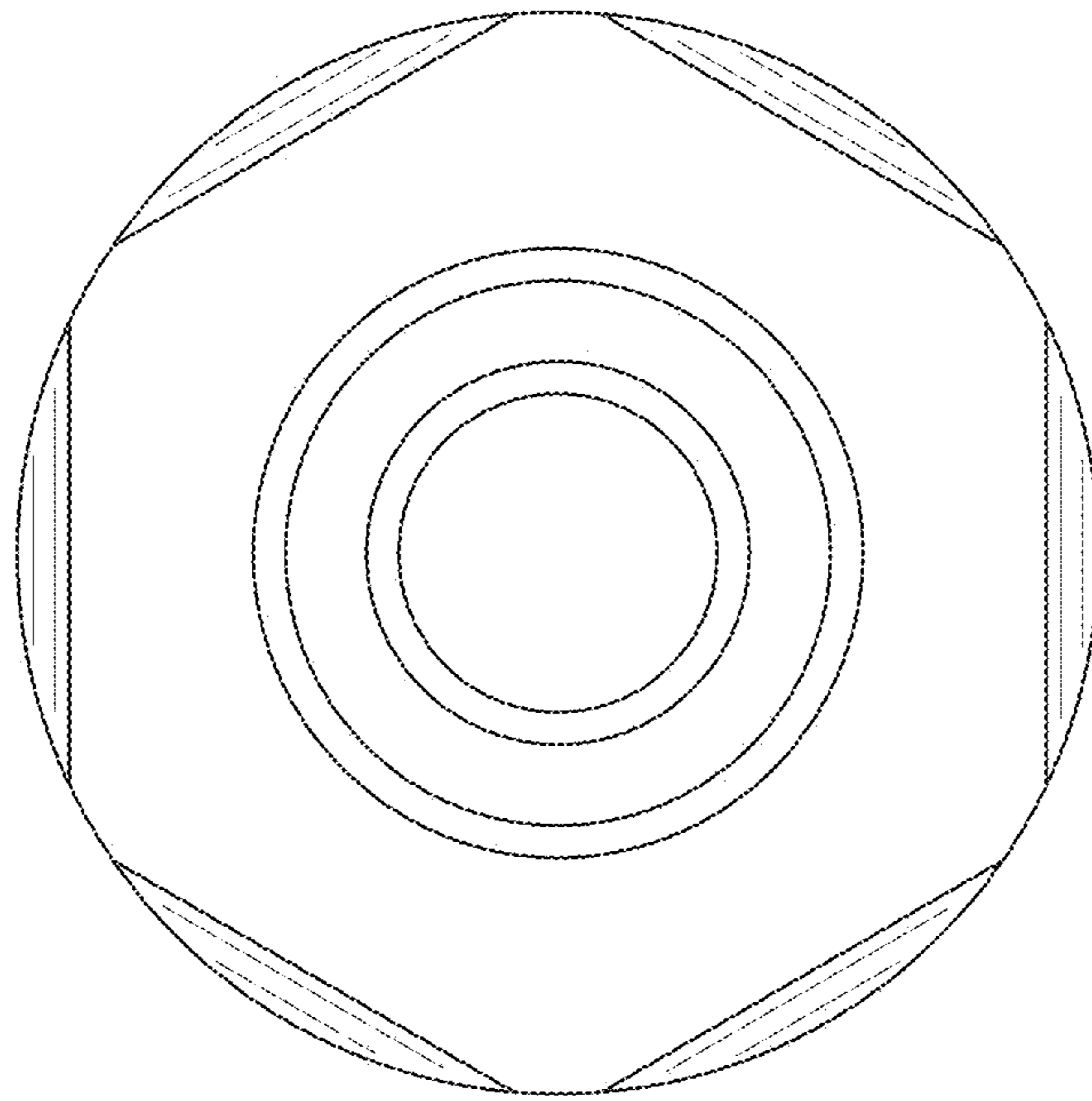


FIG. 4

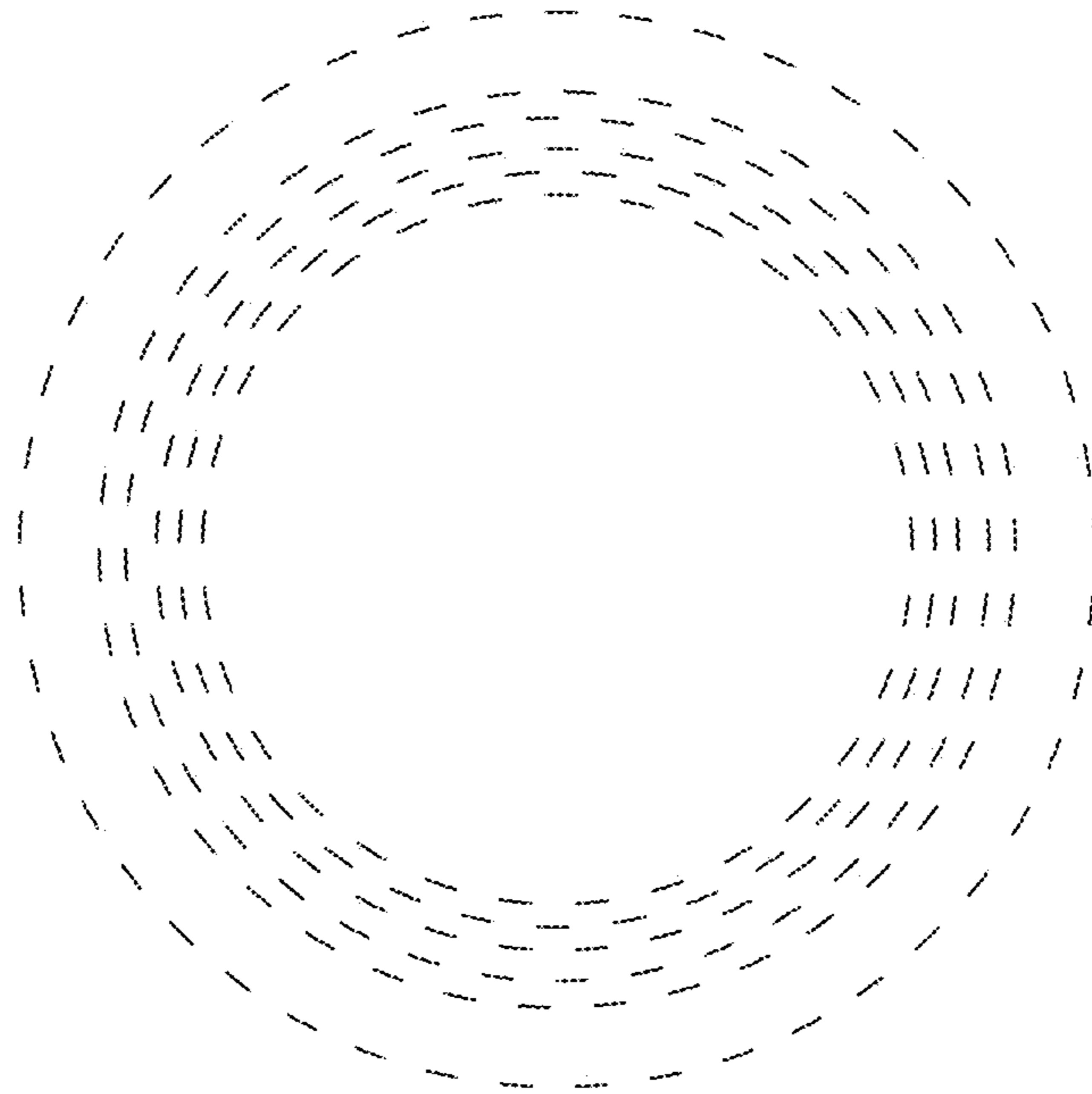


FIG. 5