



US00D879249S

(12) **United States Design Patent**
Glaser

(10) **Patent No.:** **US D879,249 S**

(45) **Date of Patent:** **** Mar. 24, 2020**

(54) **HYDRAULIC VALVE**

(71) Applicant: **HAWE Hydraulik SE**, Aschheim (DE)

(72) Inventor: **Johannes Glaser**, Aschheim (DE)

(73) Assignee: **HAWE Hydraulik SE**, Aschheim (DE)

(**) Term: **15 Years**

(21) Appl. No.: **29/670,624**

(22) Filed: **Nov. 18, 2018**

(30) **Foreign Application Priority Data**

May 25, 2018 (EM) 005 282 936-0001

(51) **LOC (12) Cl.** **23-01**

(52) **U.S. Cl.**
USPC **D23/233**

(58) **Field of Classification Search**

USPC D23/233, 235, 237, 241-249, 259, 260,
D23/262, 209; D24/110.6, 129;
81/121.1, 124.2; D8/29, 397; D13/154
CPC B25B 13/06; B25B 13/065; F16K 31/12;
F16K 1/126; F16K 31/122; F16K
31/1226

See application file for complete search history.

(56) **References Cited**

U.S. PATENT DOCUMENTS

D320,842 S * 10/1991 Roman D23/262
D484,036 S * 12/2003 Koch D8/397

D494,256 S * 8/2004 Nortier D23/249
D513,786 S * 1/2006 Montano D23/233
D636,240 S * 4/2011 Laurie D8/29
D648,005 S * 11/2011 Morishita D23/259
D660,111 S * 5/2012 Laurie D8/29
D679,988 S * 4/2013 Yamazaki D8/397
D704,543 S * 5/2014 Kuhmichel D8/397
D728,069 S * 4/2015 Moore D23/209
D795,398 S * 8/2017 Decaria D23/260
D830,312 S * 10/2018 Nguyen D13/154
D840,797 S * 2/2019 Bentley D8/397
D852,929 S * 7/2019 Nelson D23/209

* cited by examiner

Primary Examiner — Gino Colan

(74) *Attorney, Agent, or Firm* — Aslan Law, P.C.

(57) **CLAIM**

The ornamental design for a hydraulic valve, as shown and described.

DESCRIPTION

FIG. 1 is a perspective view of a hydraulic valve, showing my new design;

FIG. 2 is a first side view thereof;

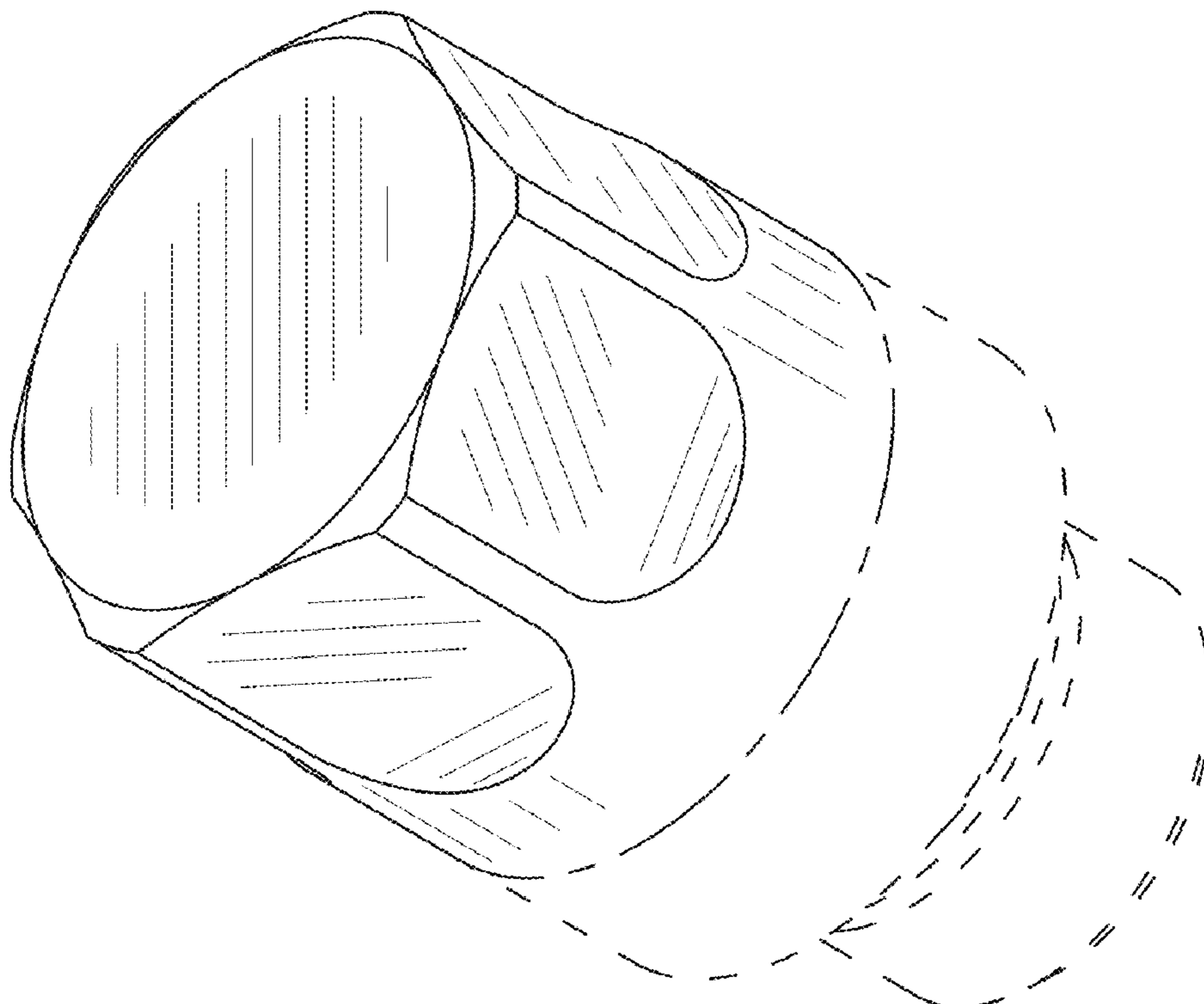
FIG. 3 is a second side view thereof;

FIG. 4 is a top view thereof; and,

FIG. 5 is a bottom view thereof.

The evenly dashed broken lines shown in the figures are for the purpose of illustrating portions of the hydraulic valve and form no part of the claimed design. The long dash-short dash broken lines shown in FIGS. 1-3 are for the purpose of illustrating bounds of the claimed design.

1 Claim, 5 Drawing Sheets



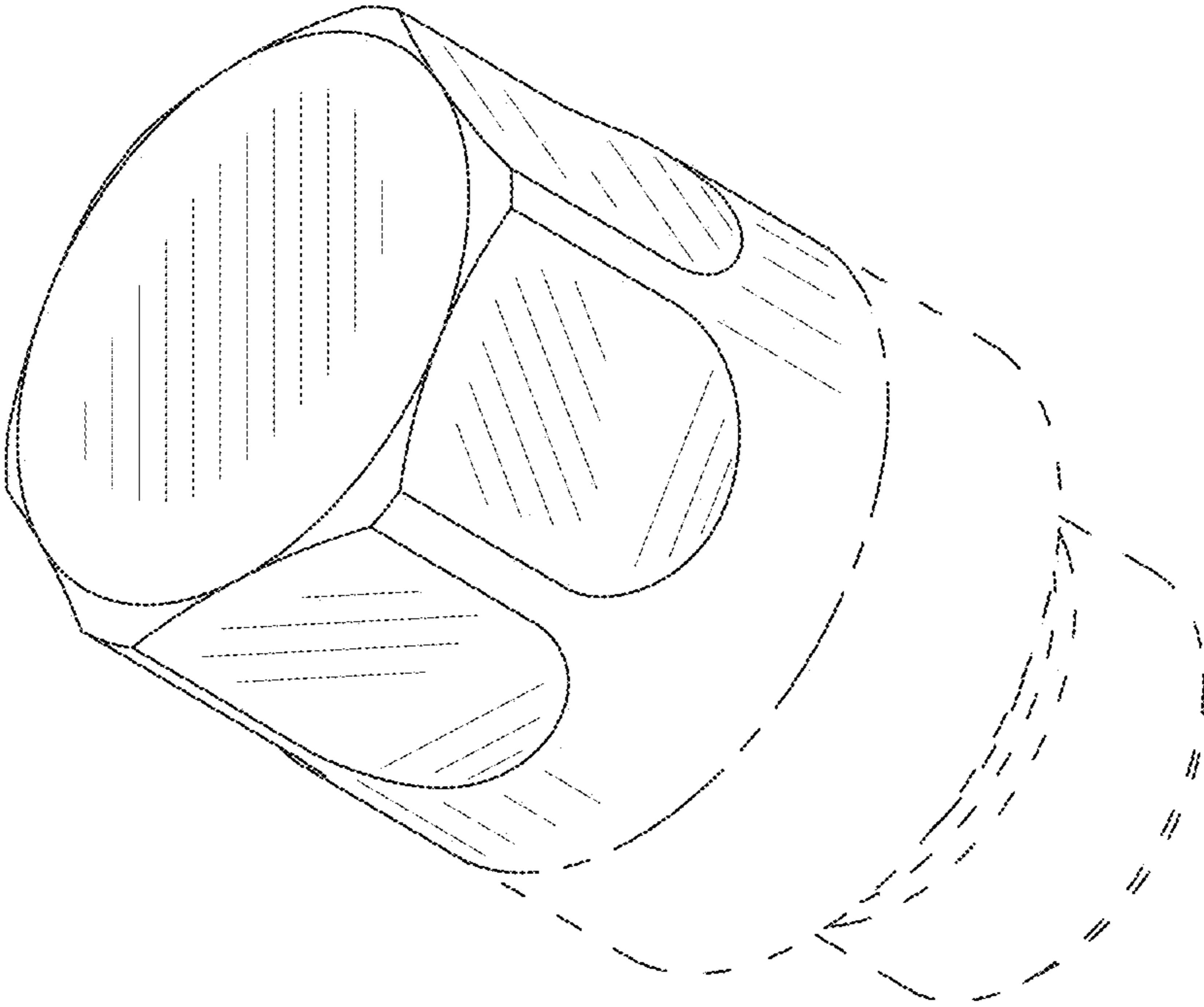


FIG. 1

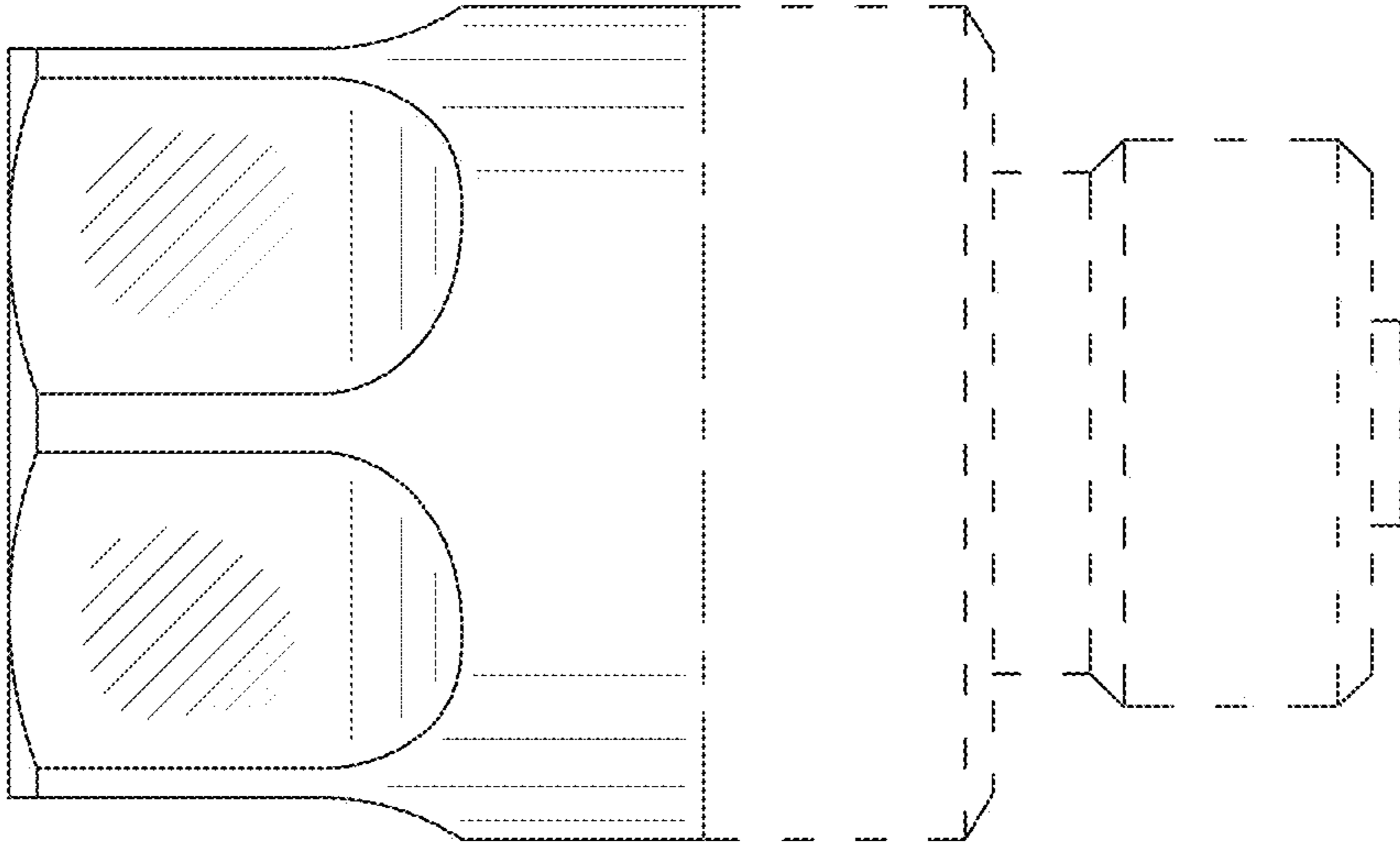


FIG. 2

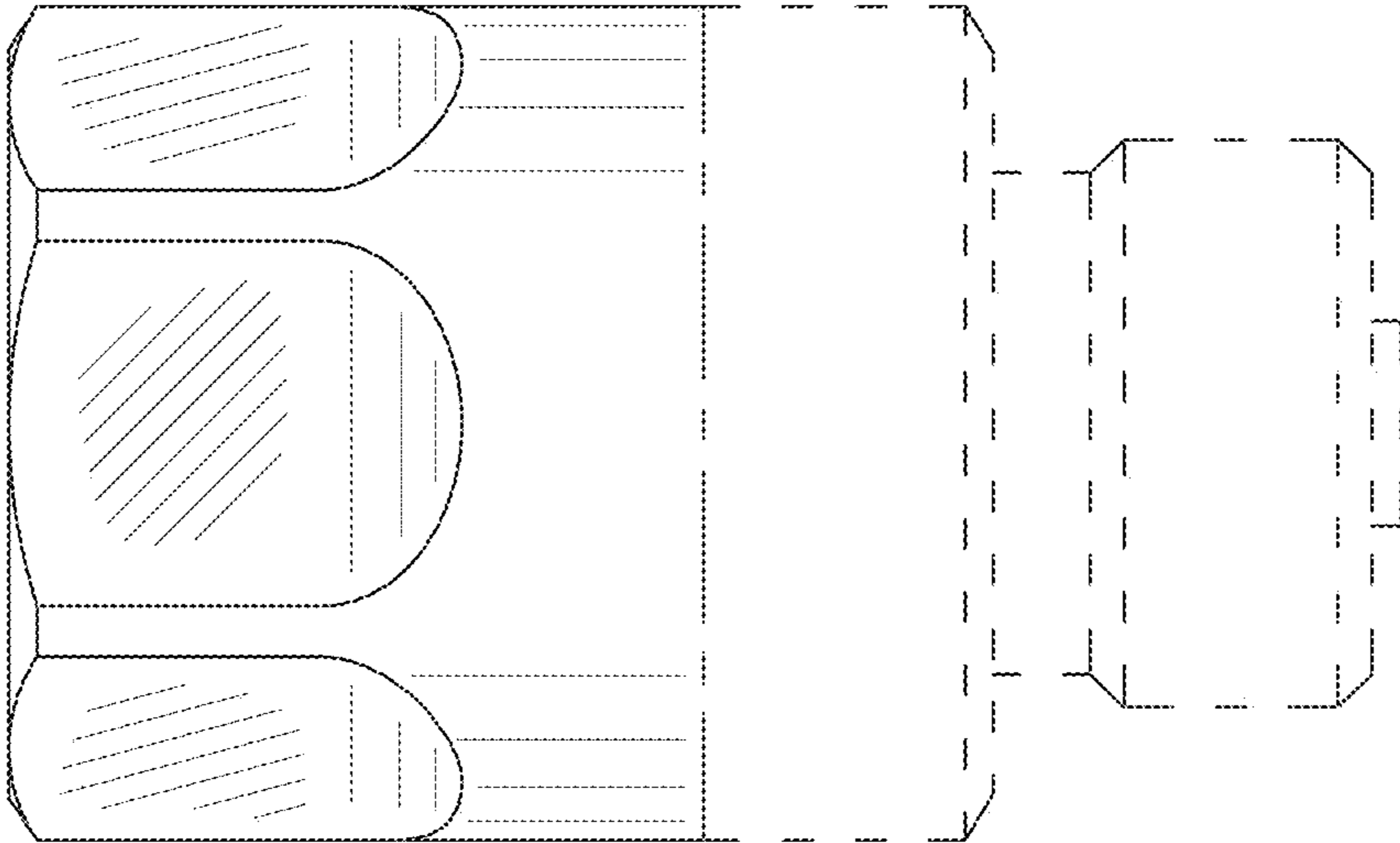


FIG. 3

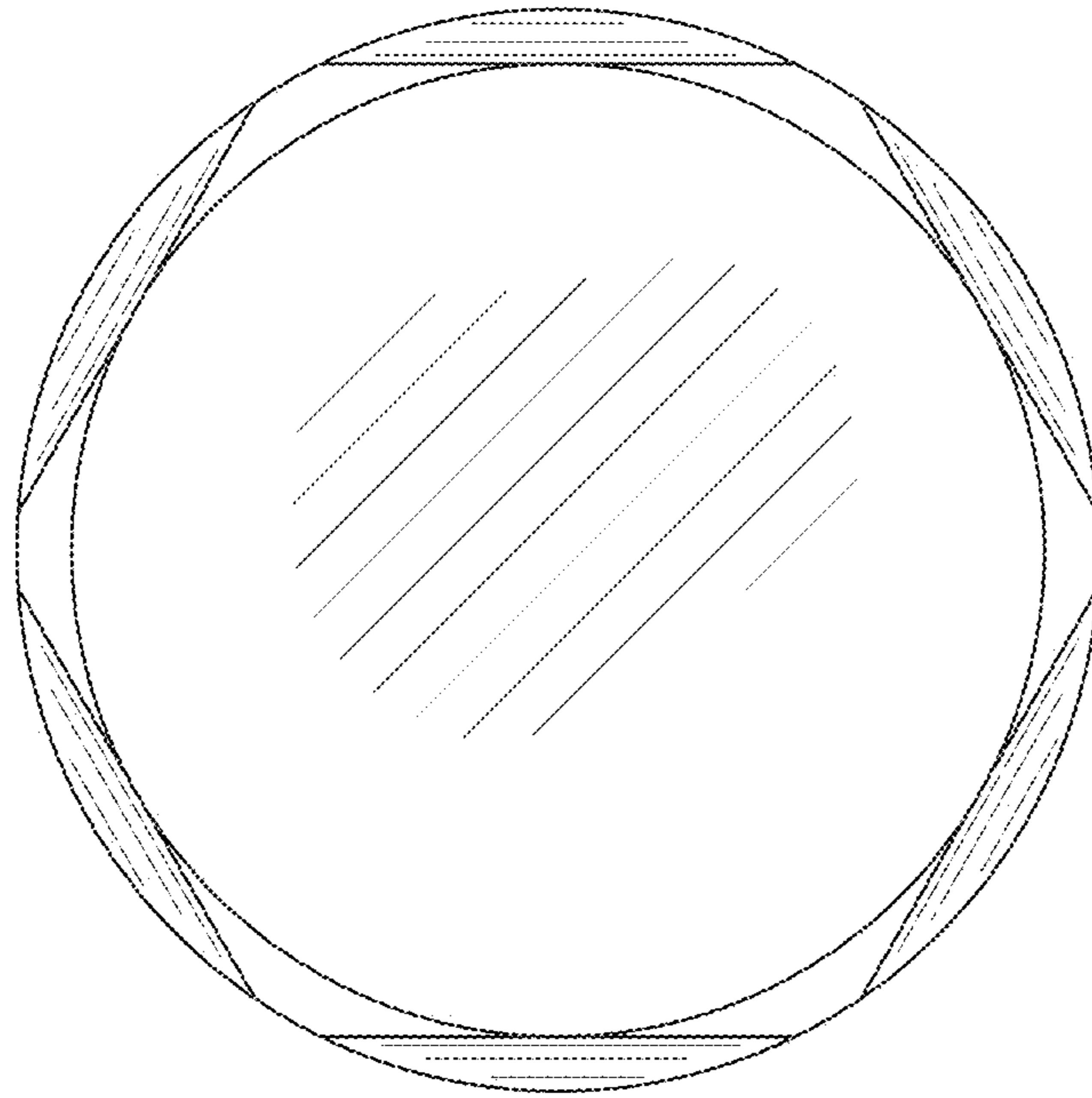


FIG. 4

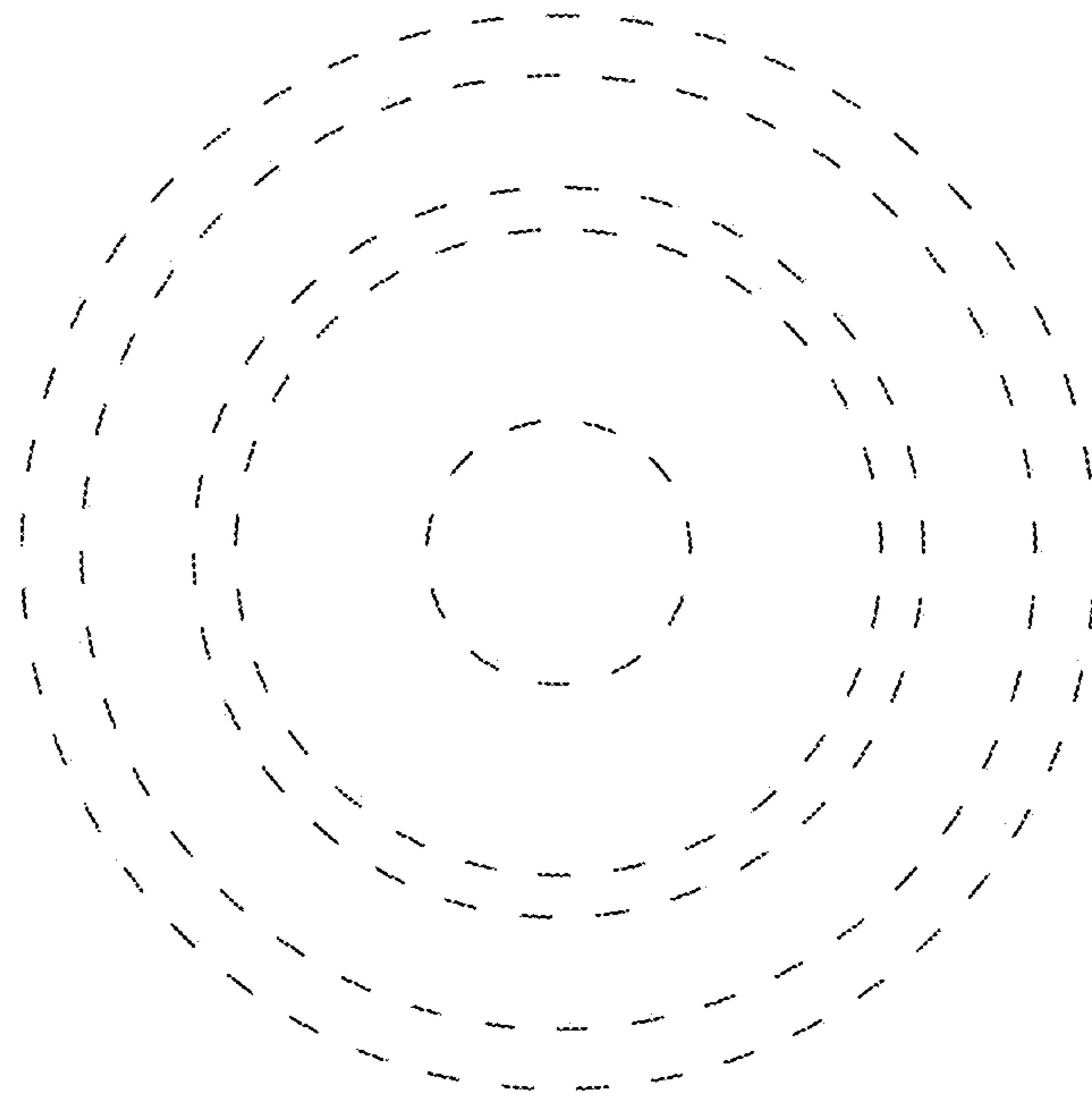


FIG. 5