



US00D879246S

(12) **United States Design Patent**
Eads

(10) **Patent No.:** **US D879,246 S**
(45) **Date of Patent:** **** Mar. 24, 2020**

(54) **HAND SHOWER**
(71) Applicant: **DELTA FAUCET COMPANY,**
Indianapolis, IN (US)
(72) Inventor: **Thad Eads,** Urbana, IN (US)
(73) Assignee: **DELTA FAUCET COMPANY,**
Indianapolis, IN (US)
(**) Term: **15 Years**
(21) Appl. No.: **29/678,120**

D737,931 S * 9/2015 Schoenherr D23/223
D737,932 S * 9/2015 Nikles D23/223
D743,507 S * 11/2015 Georgeson D23/252
D746,955 S * 1/2016 Corder D23/261
D752,711 S * 3/2016 Georgeson D23/213
9,387,495 B2 * 7/2016 Schumacher B05B 1/30
D778,404 S * 2/2017 Schoenherr D23/223
D779,038 S * 2/2017 Hanna D23/223
D779,039 S * 2/2017 Hanna D23/223
D801,475 S * 10/2017 Naslund D23/213
D803,350 S * 11/2017 Tian D23/213
D808,499 S * 1/2018 Naslund D23/213
D809,094 S * 1/2018 Naslund D23/213
D810,233 S * 2/2018 Winter D23/213
D810,861 S * 2/2018 Weaver D23/213

(Continued)

(22) Filed: **Jan. 25, 2019**
(51) **LOC (12) Cl.** **23-01**
(52) **U.S. Cl.**
USPC **D23/223; D23/213**
(58) **Field of Classification Search**
USPC D23/213, 214, 215, 223, 224, 226, 229,
D23/230
CPC A61H 9/0021; A61H 33/00; B05B 1/00;
B05B 1/14; B05B 1/185; B05B 1/08;
B05B 1/02; B05B 1/26; B05B 12/002;
B05B 1/18; B05B 9/01
See application file for complete search history.

OTHER PUBLICATIONS

<https://www.amazon.com/Handheld-Wodgreat-Pressure-Stainless-Adjustable/dp/> (Year: 2019).*

Primary Examiner — Manpreet S Matharu
Assistant Examiner — Keith J Wilson
(74) *Attorney, Agent, or Firm* — Edgar A. Zarins; Nirav D. Parikh

(56) **References Cited**

U.S. PATENT DOCUMENTS

D487,498 S * 3/2004 Blomstrom D23/213
D508,730 S * 8/2005 Blomstrom D23/229
D524,412 S * 7/2006 Blomstrom D23/229
D680,619 S * 4/2013 Zhadanov D23/223
D681,776 S * 5/2013 Cutler D23/223
D694,357 S * 11/2013 Brodey D23/213
D694,359 S * 11/2013 Schoenherr D23/213
D707,330 S * 6/2014 Schoenherr D23/223
D713,004 S * 9/2014 Schoenherr D23/223
D713,496 S * 9/2014 Schoenherr D23/213
D718,418 S * 11/2014 Georgeson D23/213
D730,493 S * 5/2015 Sehl D23/261
D733,258 S * 6/2015 Sandee D23/223

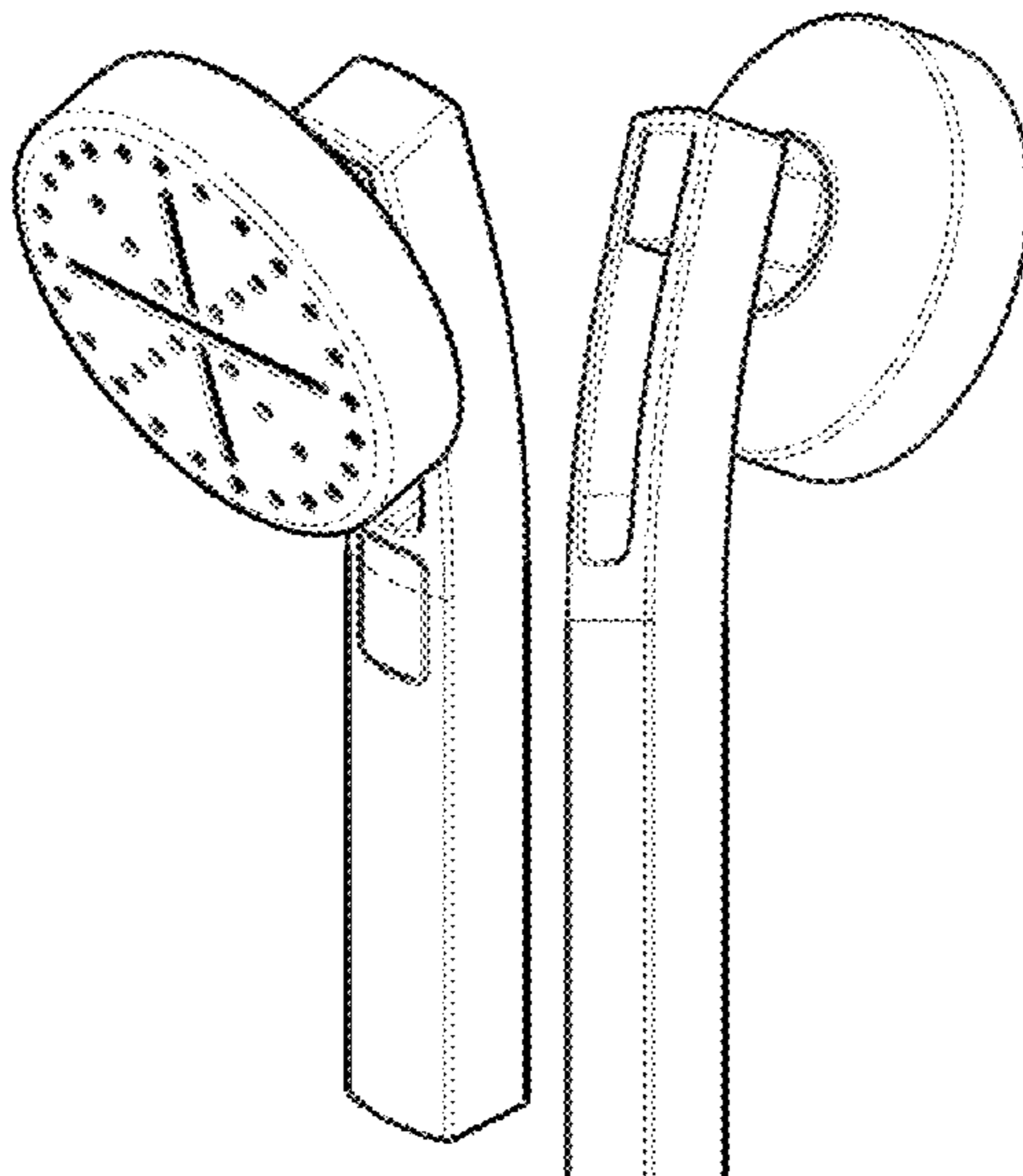
(57) **CLAIM**

The ornamental design for a hand shower, as shown and described.

DESCRIPTION

FIG. 1 is a front perspective view of a hand shower showing my new design;
FIG. 2 is a rear perspective view thereof;
FIG. 3 is a front elevational view thereof;
FIG. 4 is a right side view thereof;
FIG. 5 is a rear view thereof;
FIG. 6 is a left side view thereof;
FIG. 7 is a top end view thereof; and,
FIG. 8 is a bottom end view thereof.

1 Claim, 4 Drawing Sheets



(56)

References Cited

U.S. PATENT DOCUMENTS

D811,524 S *	2/2018	Bossini	D23/223
D820,388 S *	6/2018	Seum	D23/213
D820,949 S *	6/2018	Reinecker	D23/213
D821,542 S *	6/2018	Reinecker	D23/213
D824,485 S *	7/2018	Montoya	D23/213
D833,575 S *	11/2018	Soulier	D23/223
D839,384 S *	1/2019	Svendsen	D23/213
D840,503 S *	2/2019	Stein	D23/213
D841,121 S *	2/2019	Kiefer	D23/213
D841,125 S *	2/2019	Lai	D23/223
D842,429 S *	3/2019	Huang	D23/213
D842,430 S *	3/2019	Huang	D23/213
D842,431 S *	3/2019	Cacka	D23/213
D842,967 S *	3/2019	Farley	D23/213
D858,700 S *	9/2019	Stoler	D23/223

* cited by examiner

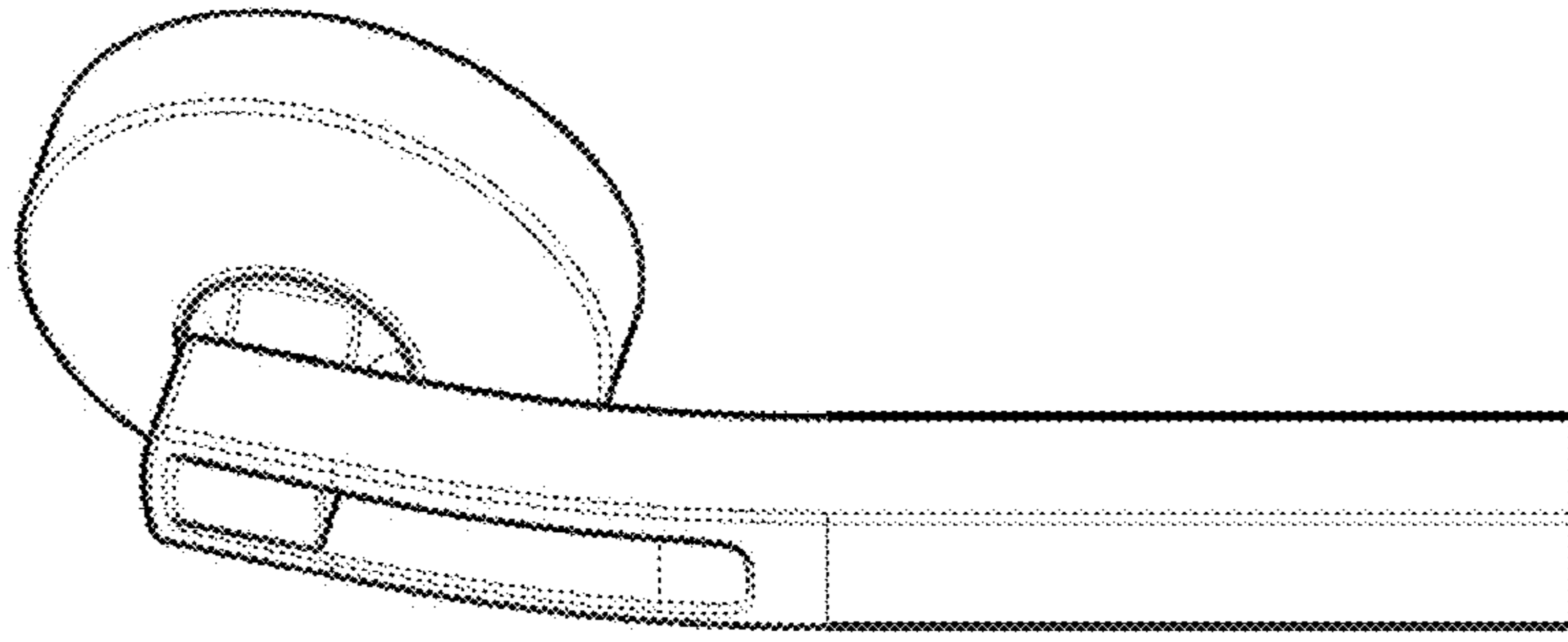


FIG - 2

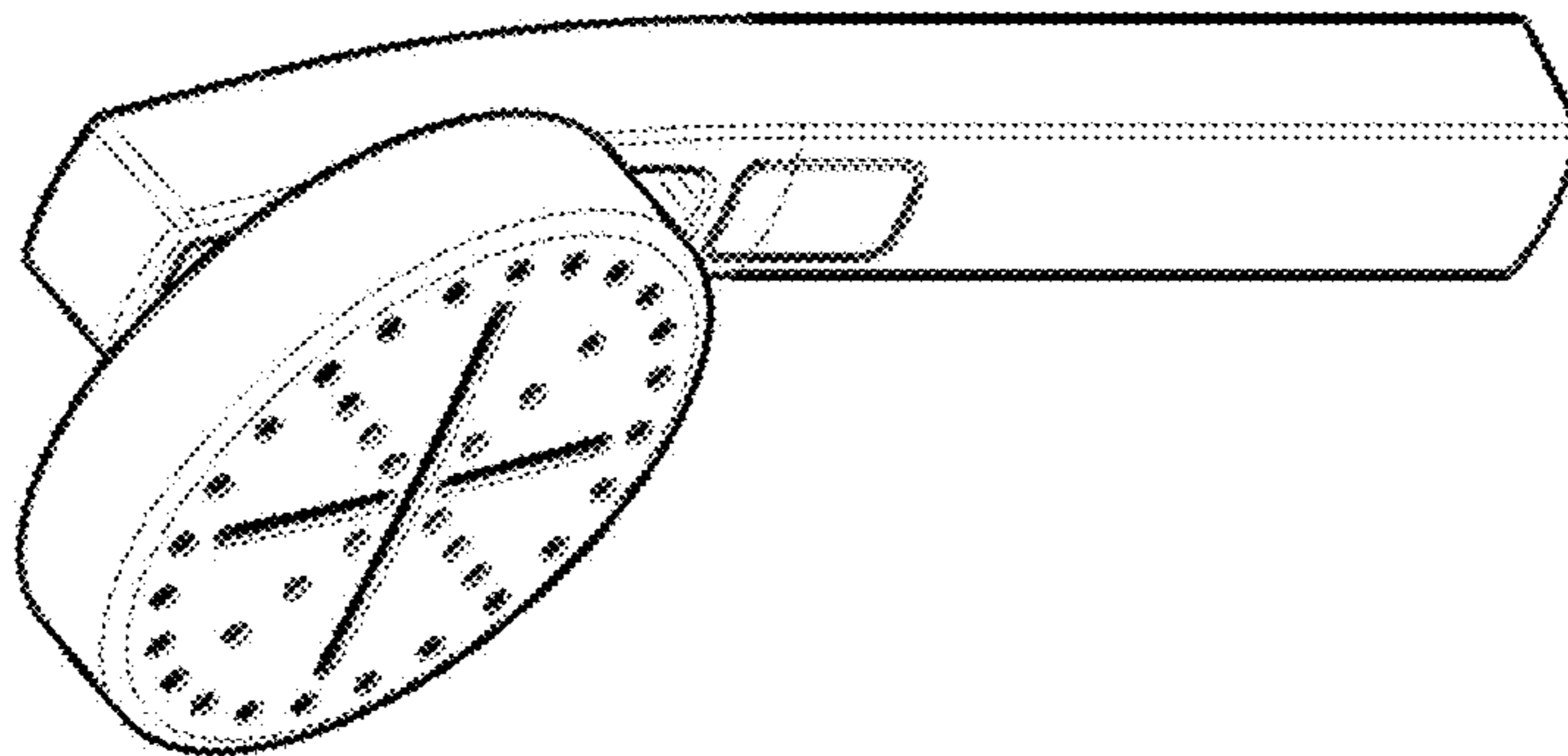


FIG - 1

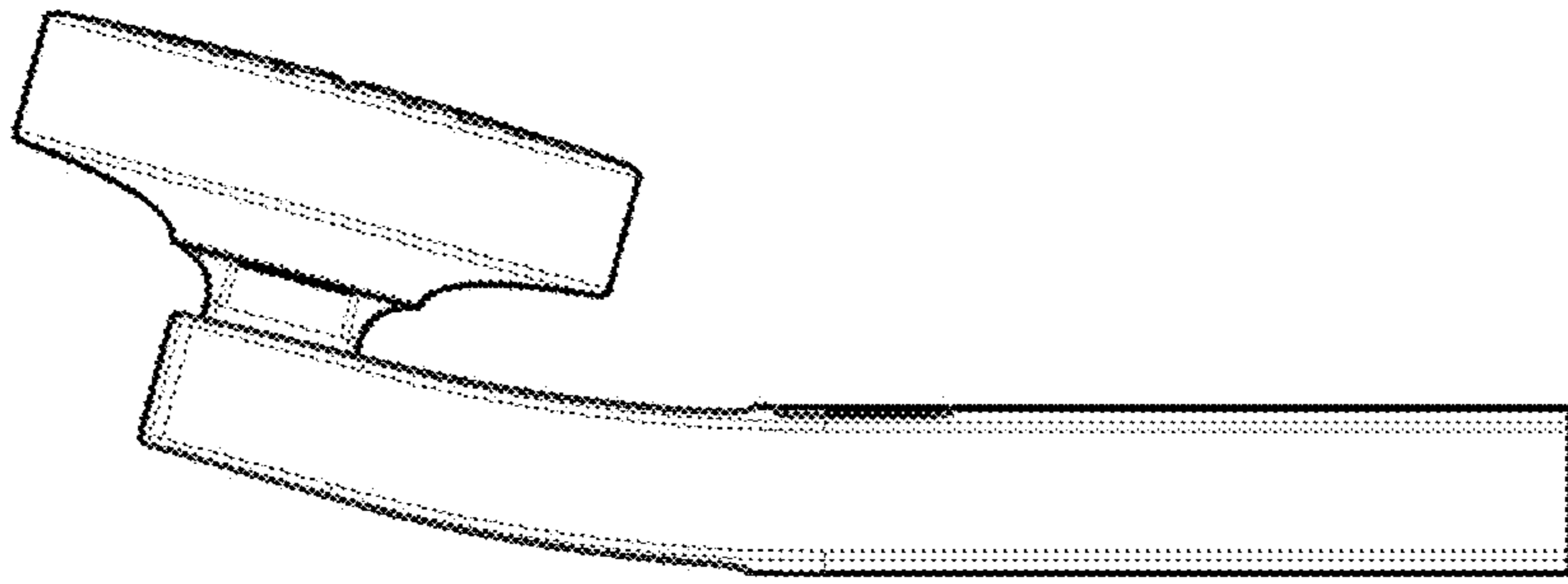


FIG - 4

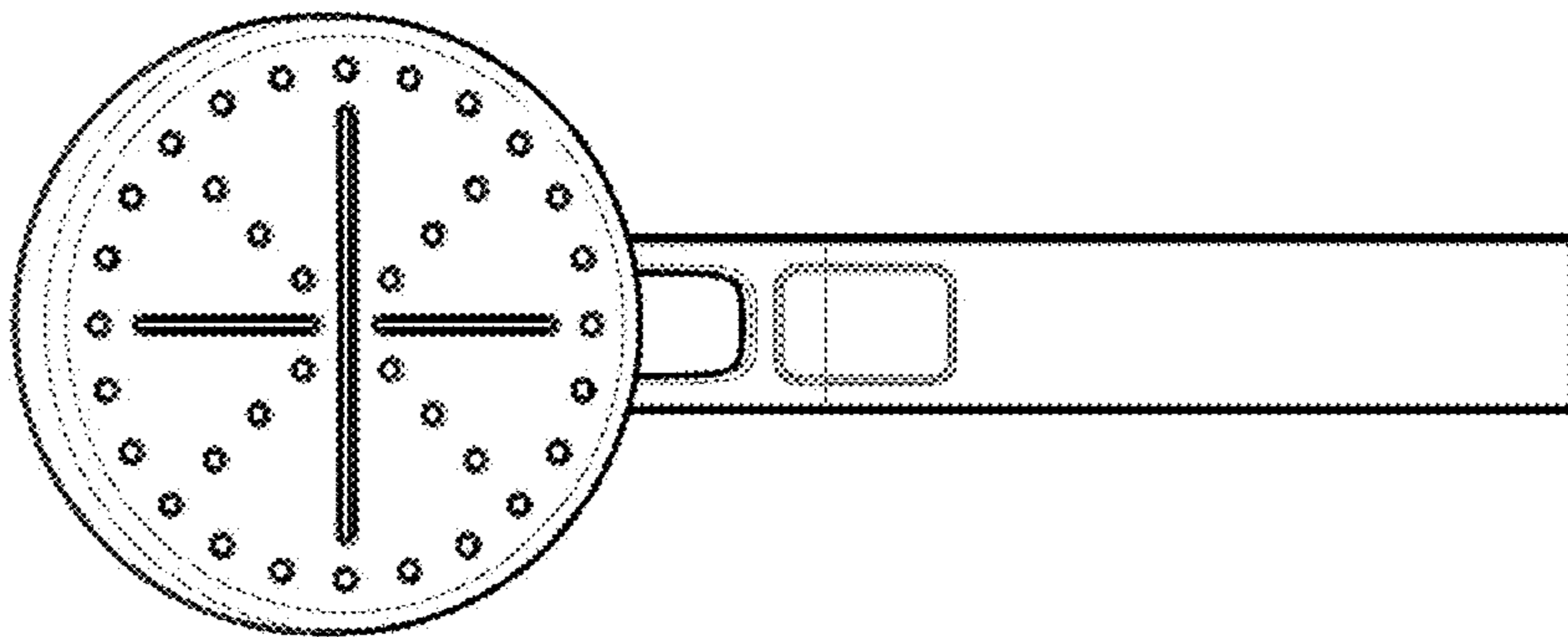


FIG - 3

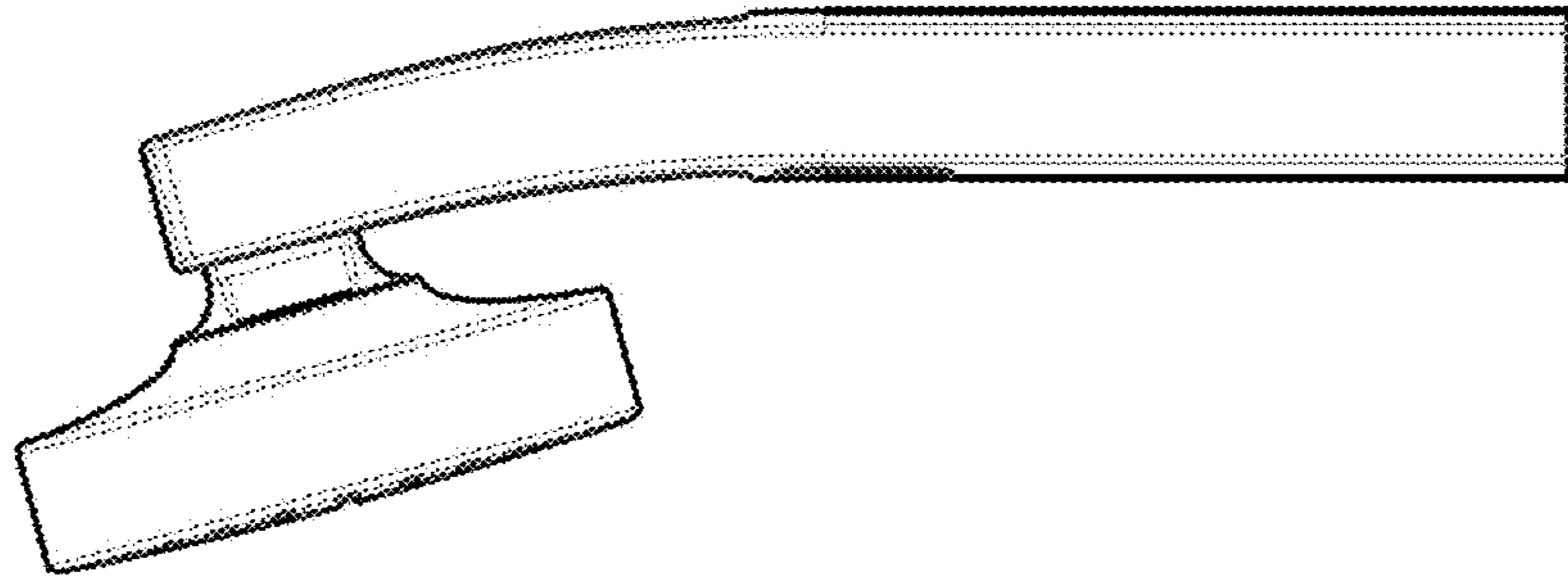


FIG - 6

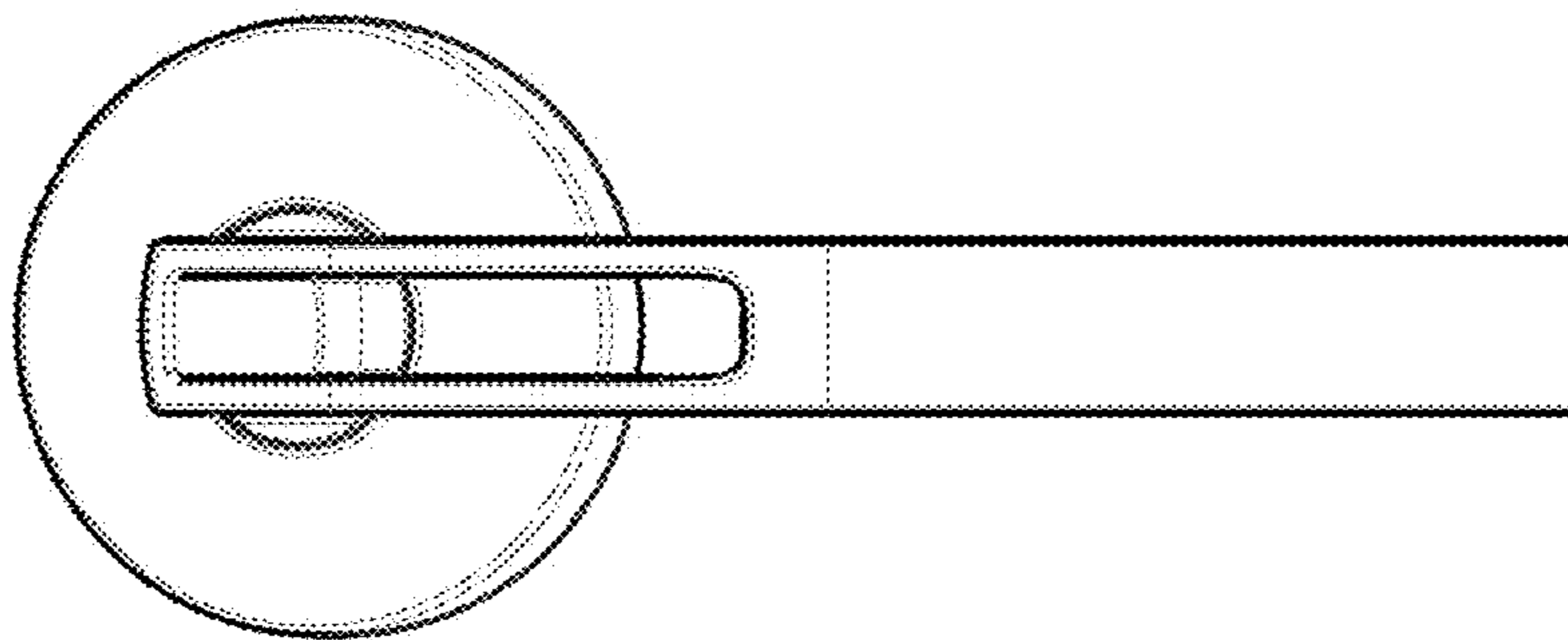


FIG - 5

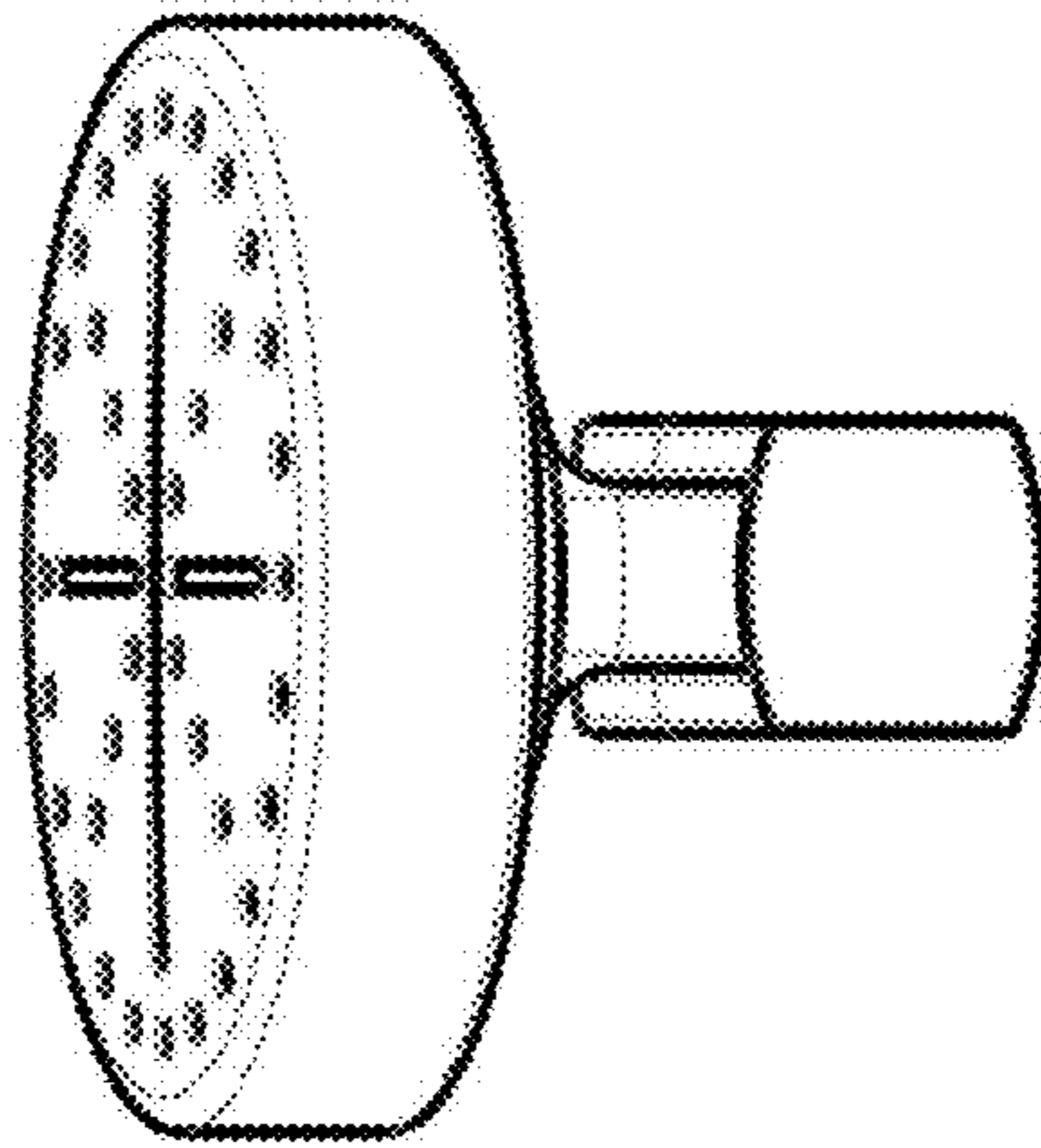


FIG - 8

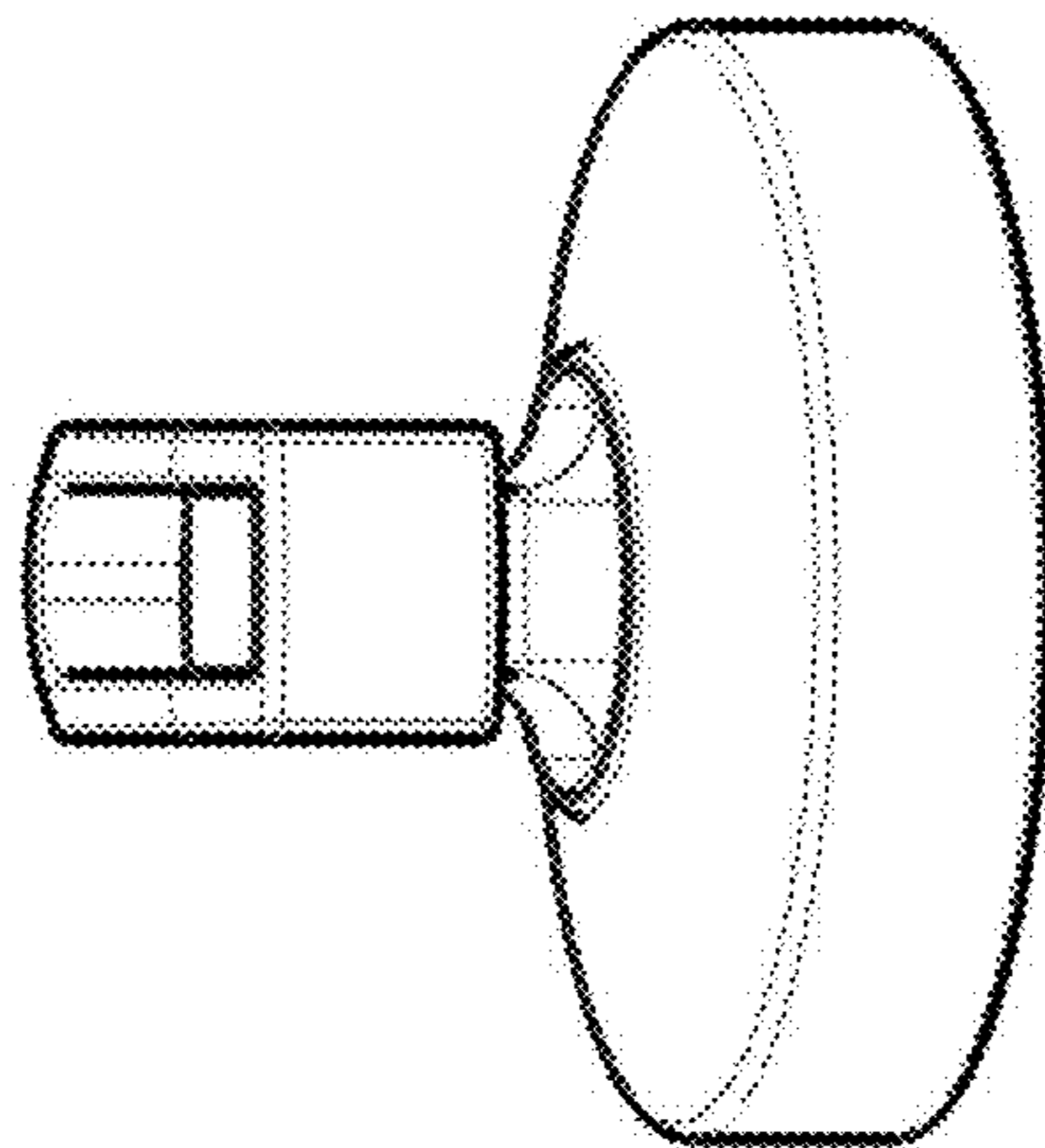


FIG - 7