



US00D879243S

(12) **United States Design Patent**  
**Wei**

(10) **Patent No.:** **US D879,243 S**

(45) **Date of Patent:** **\*\* Mar. 24, 2020**

(54) **WATER FILTER**

(71) Applicant: **Tianjin Tianchuang Best Pure Environmental Science and Technology Co., Ltd., Tianjin (CN)**

(72) Inventor: **Enyu Wei, Tianjin (CN)**

(73) Assignee: **Tianjin Tianchuang Best Pure Environmental Science and Technology Co., Ltd., Tianjin (CN)**

(\*\*) Term: **15 Years**

(21) Appl. No.: **29/658,469**

(22) Filed: **Jul. 31, 2018**

(30) **Foreign Application Priority Data**

May 8, 2018 (CN) ..... 2018 3 0203254

(51) **LOC (12) Cl.** ..... **23-01**

(52) **U.S. Cl.**  
USPC ..... **D23/209**

(58) **Field of Classification Search**  
USPC ..... D23/200, 207, 209, 260, 261, 262;  
D7/412, 414; D8/499; D32/35; 4/287,  
4/295, 689; 210/223, 321.61, 512.1  
CPC .... B01D 35/30; B01D 35/153; B01D 35/306;  
B01D 2201/30; B01D 2201/29; B01D  
24/10; B01D 36/02; B01D 29/035; B01D  
29/0009; C02F 1/002; C02F 1/003  
See application file for complete search history.

(56) **References Cited**

**U.S. PATENT DOCUMENTS**

D47,768 S \* 8/1915 Wilgus ..... D23/366  
D346,065 S \* 4/1994 Rooks ..... D3/20  
D434,481 S \* 11/2000 Bornstein ..... D23/360  
D520,621 S \* 5/2006 Moser, III ..... D23/365  
D587,360 S \* 2/2009 Sakairi ..... D23/365  
D594,539 S \* 6/2009 Lu ..... D23/366  
D641,464 S \* 7/2011 De Haan ..... D23/366

D663,406 S \* 7/2012 Browder ..... D23/366  
D673,253 S \* 12/2012 Mack ..... D23/366  
D756,037 S \* 5/2016 Schlatter ..... D28/85  
D786,668 S \* 5/2017 Cornaglia ..... D9/418  
D840,238 S \* 2/2019 Hudson ..... D9/559  
2015/0083715 A1\* 3/2015 Shuert ..... B65D 19/0097  
220/1.5

**OTHER PUBLICATIONS**

Mineral Cube Water Machine reference [Jul. 27, 2019] found online [Jul. 27, 2019]—[https://www.amazon.com/Mineral-Vitalizer-Plus-Hexagonal-Machine/dp/B0017SJO2O/ref=asc\\_df\\_B0017SJO2O/?tag=hyprod-20&linkCode=df0&hvadid=198100225426&hvpos=1o10&hvnetw=g&hvrnd=10964356644207668695&hvpon=&hvptwo=&hvqmt=&hvdev=c&hvdvcmld=&](https://www.amazon.com/Mineral-Vitalizer-Plus-Hexagonal-Machine/dp/B0017SJO2O/ref=asc_df_B0017SJO2O/?tag=hyprod-20&linkCode=df0&hvadid=198100225426&hvpos=1o10&hvnetw=g&hvrnd=10964356644207668695&hvpon=&hvptwo=&hvqmt=&hvdev=c&hvdvcmld=&)

BestPure Tap Water Filter [Jul. 27, 2019] found online [Jul. 27, 2019]—[Jul. 27, 2019]—found online [Jul. 27, 2019]—[https://bestpure.en.alibaba.com/product/60783423584-806307558/Bestpure\\_NSF\\_certified\\_99\\_removal\\_rate\\_faucet\\_purifiers\\_cartridge\\_filter\\_water\\_tap\\_for\\_kitchen\\_faucet\\_water\\_filter\\_system.html](https://bestpure.en.alibaba.com/product/60783423584-806307558/Bestpure_NSF_certified_99_removal_rate_faucet_purifiers_cartridge_filter_water_tap_for_kitchen_faucet_water_filter_system.html).\*

\* cited by examiner

*Primary Examiner* — Cathron C Brooks

*Assistant Examiner* — John A Voytek

(74) *Attorney, Agent, or Firm* — Mei & Mark LLP; Lei Mei; Manni Li

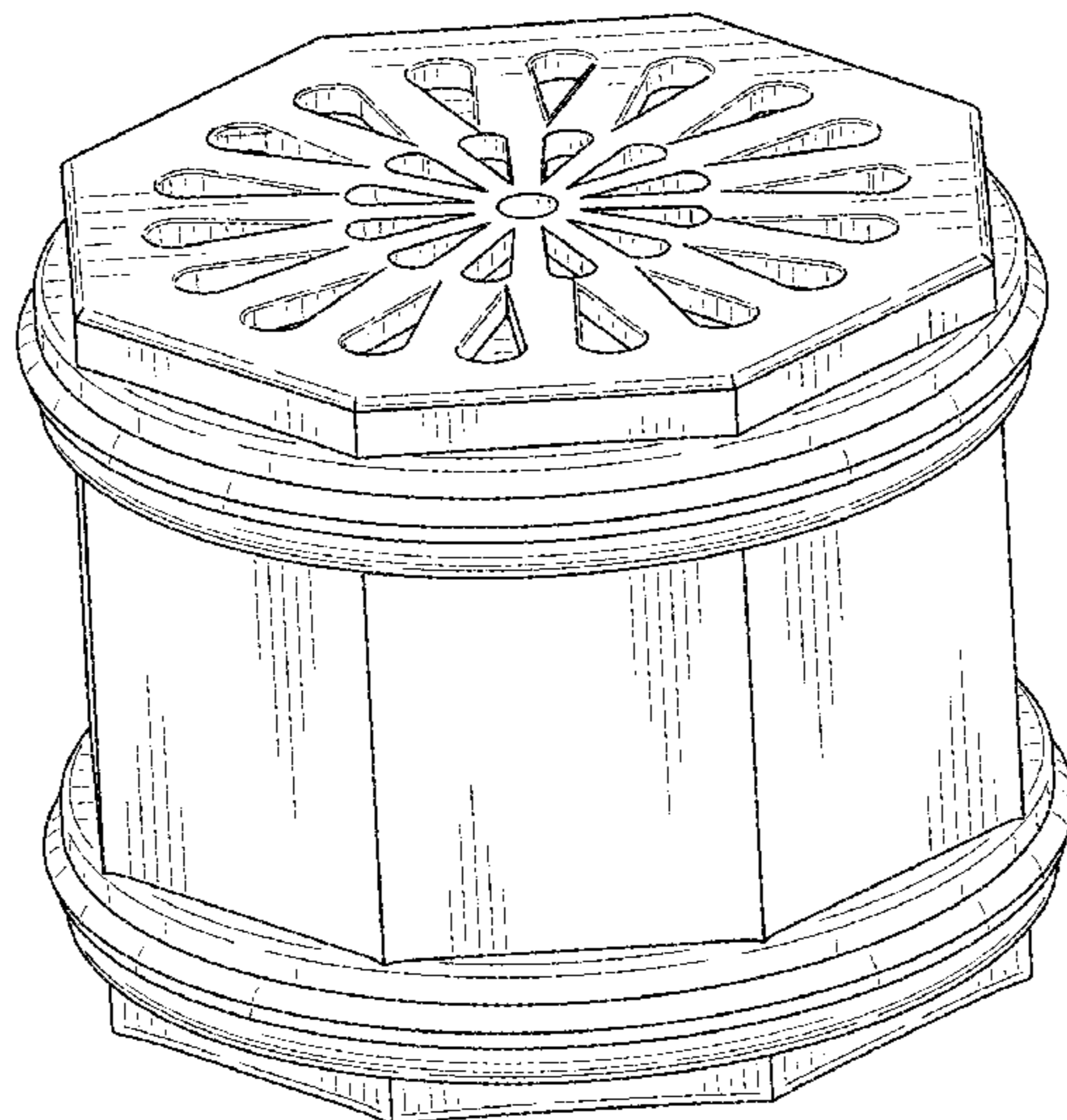
(57) **CLAIM**

The ornamental design for a water filter, as shown and described.

**DESCRIPTION**

FIG. 1 is a front view thereof;  
FIG. 2 is a rear view thereof;  
FIG. 3 is a left view thereof;  
FIG. 4 is a right view thereof;  
FIG. 5 is a top view thereof; and,  
FIG. 6 is a perspective view of a water filter according to the present invention.

**1 Claim, 4 Drawing Sheets**



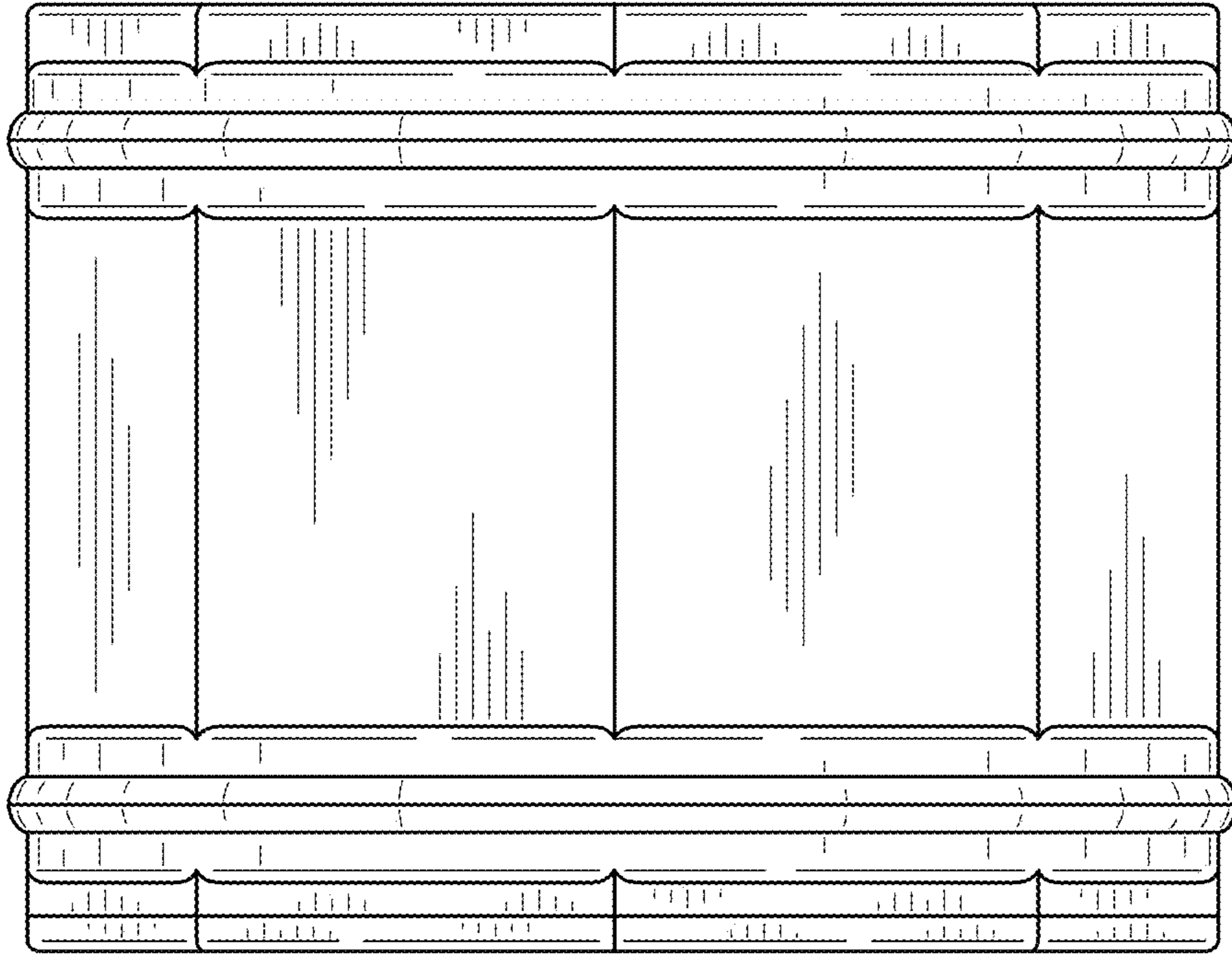


FIG. 1

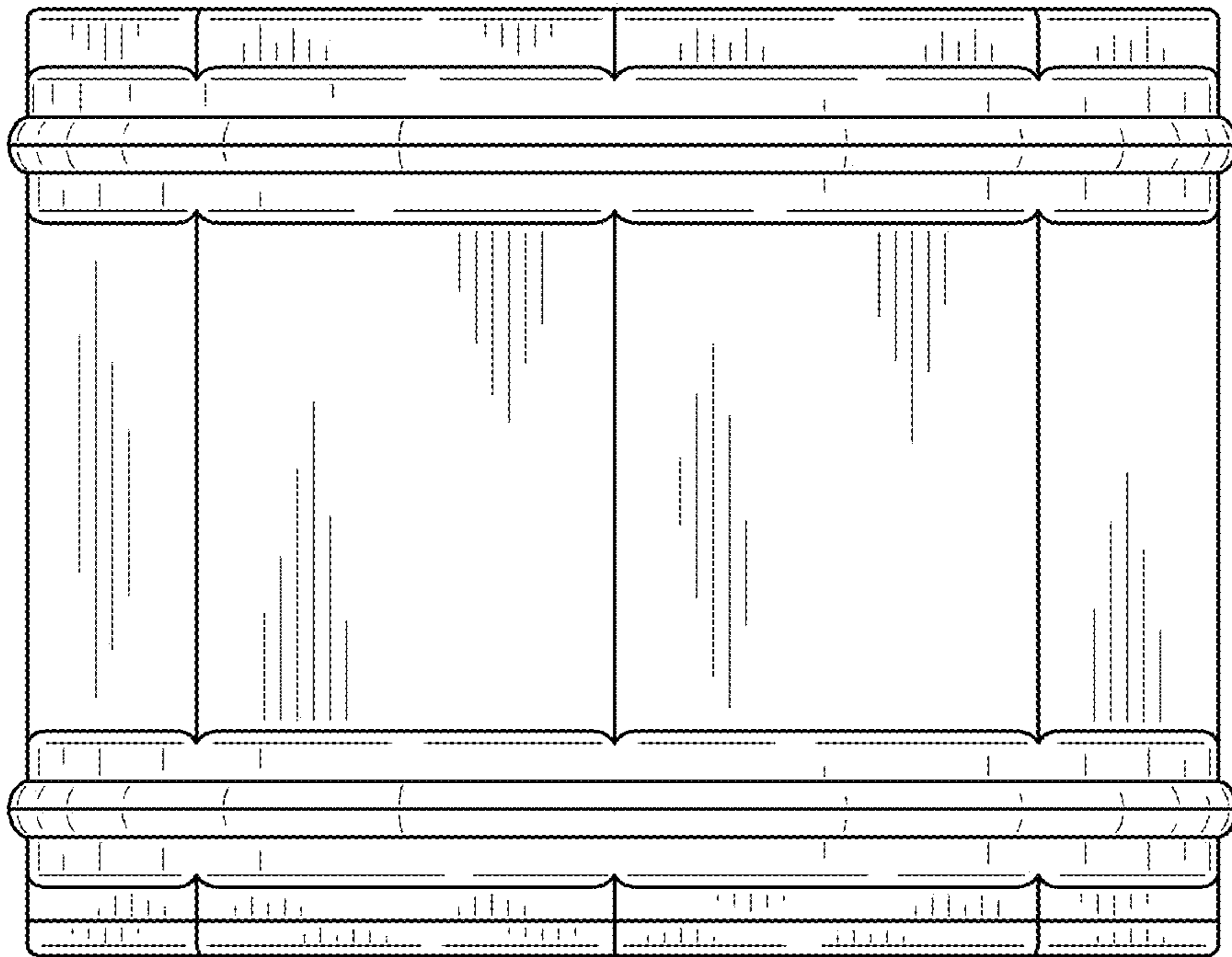


FIG. 2

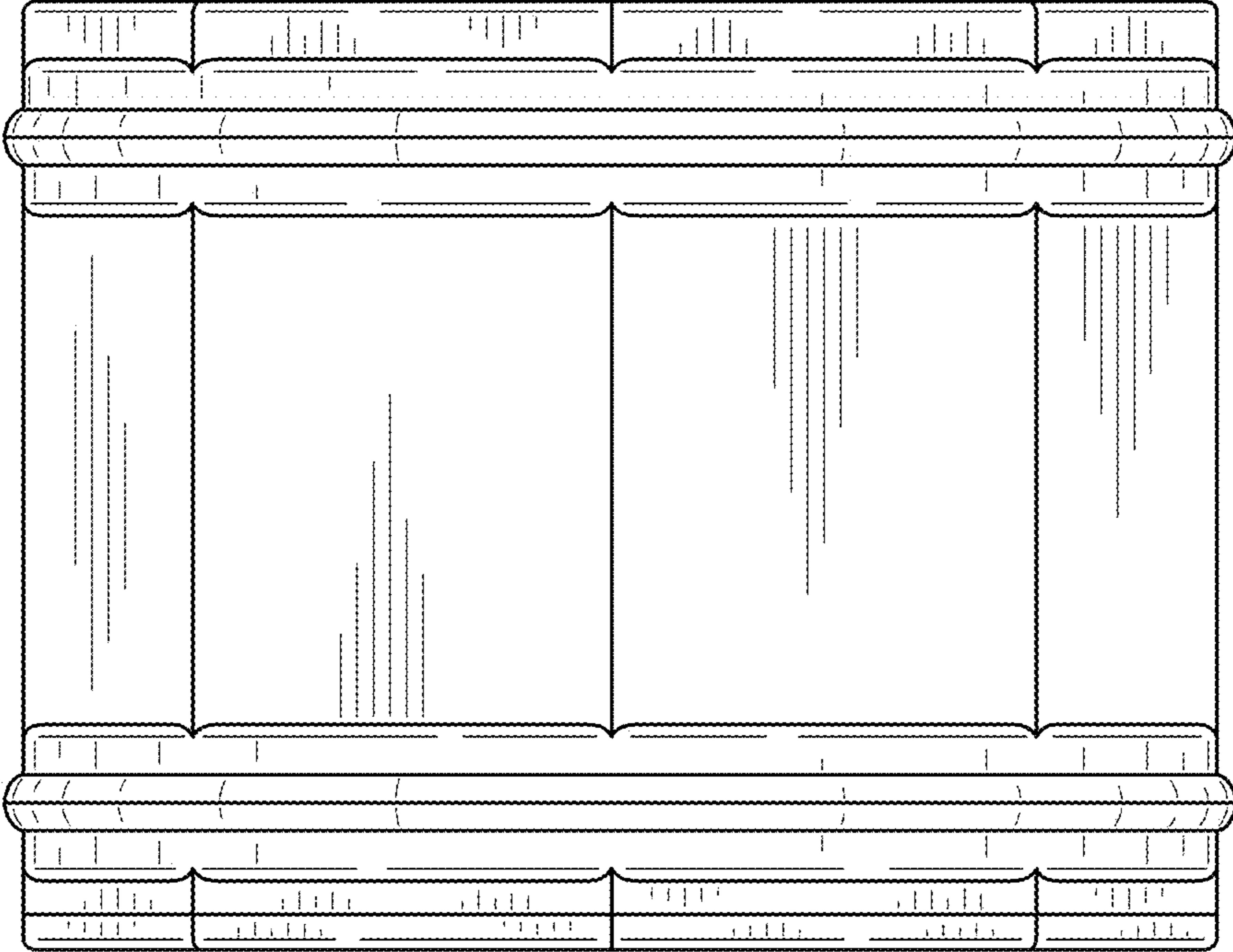


FIG. 3

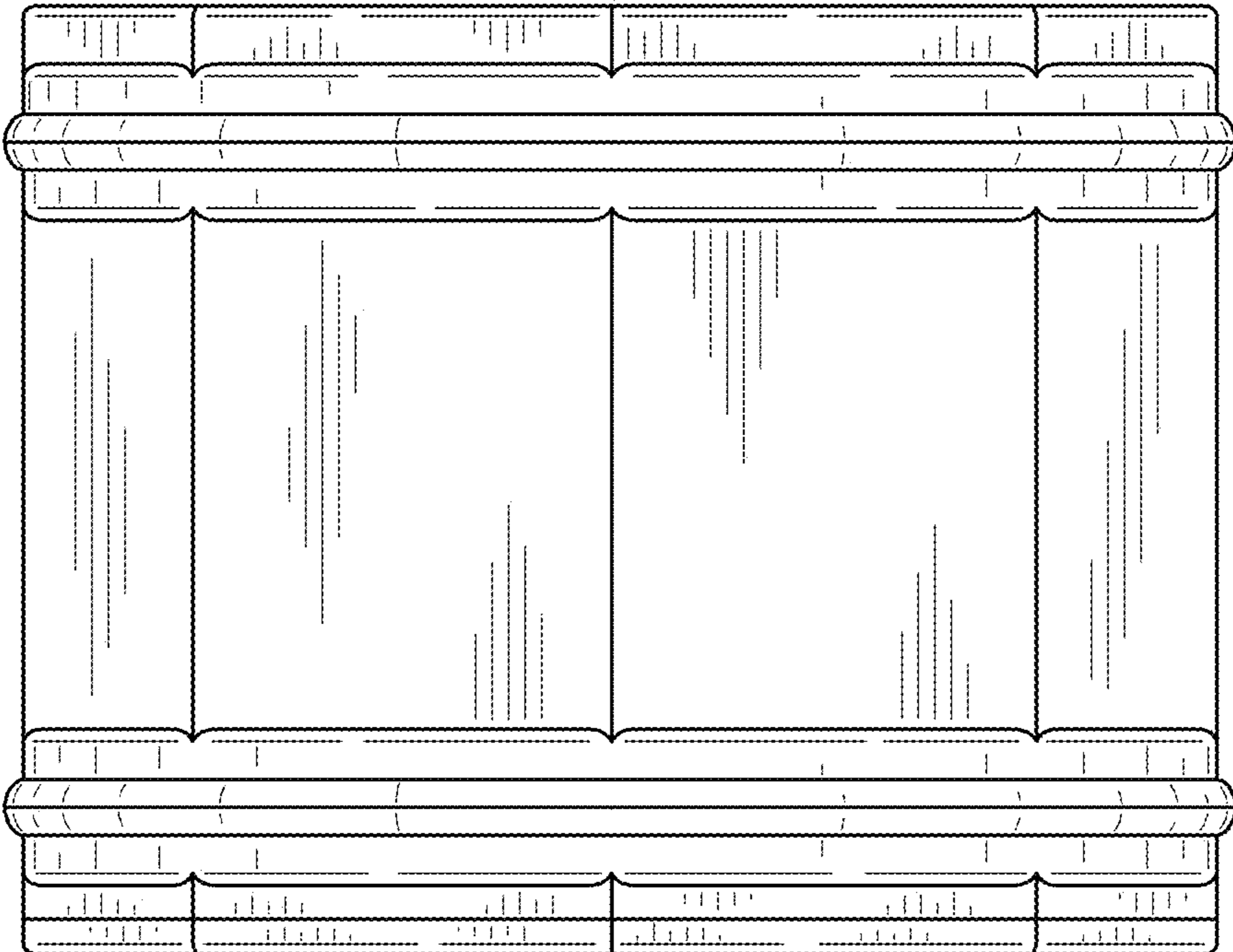


FIG. 4

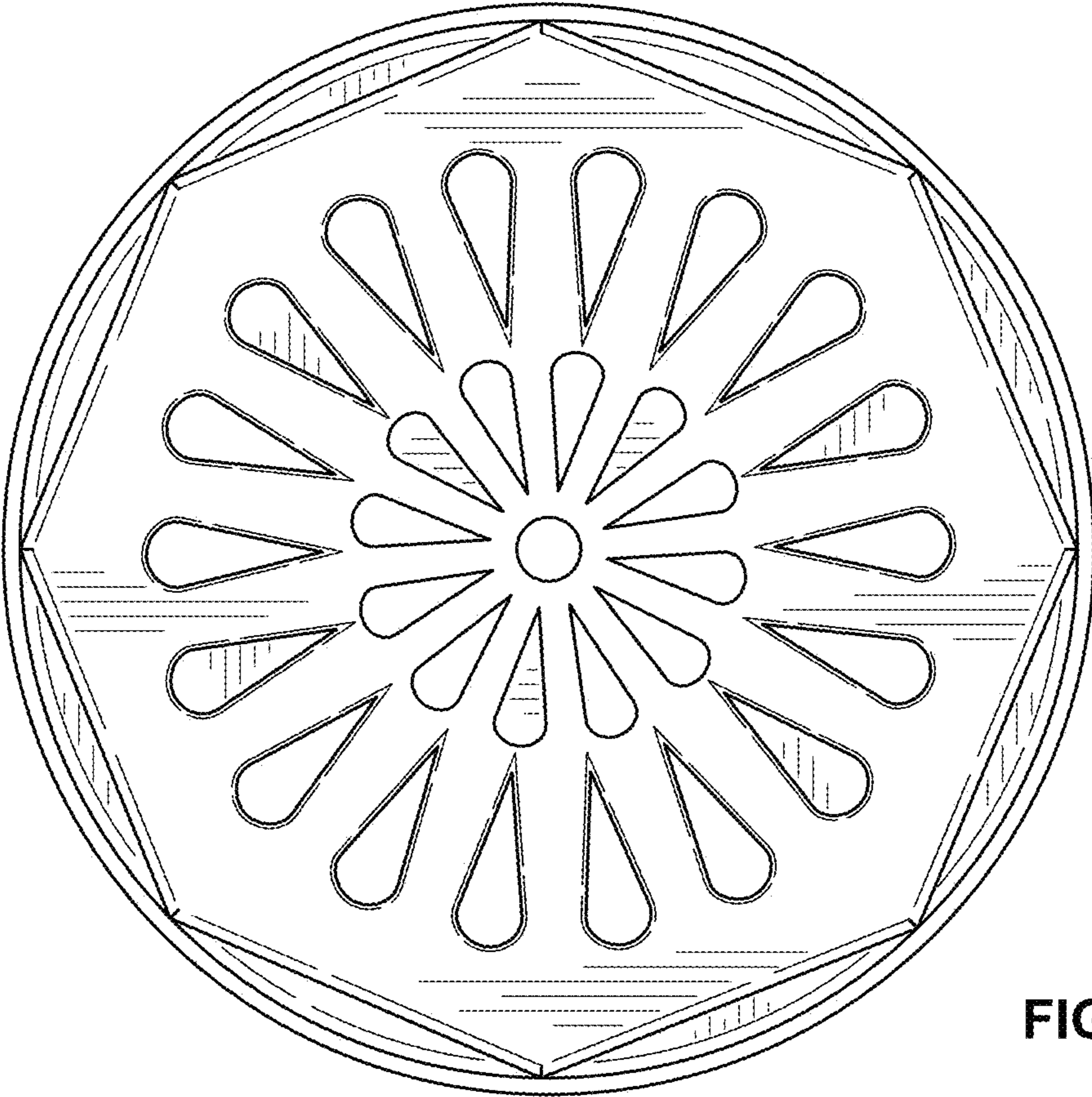


FIG. 5

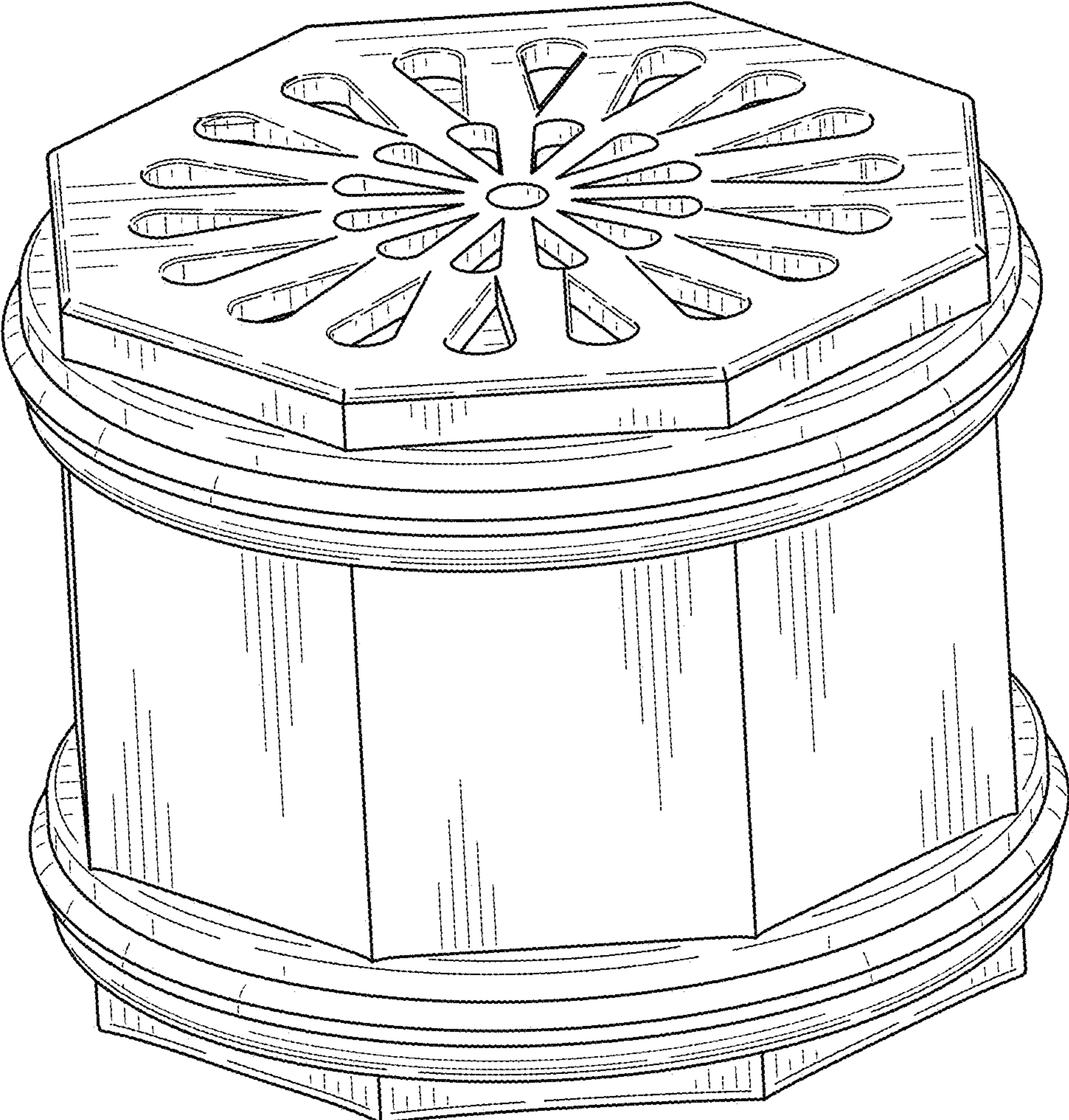


FIG. 6