



US00D879242S

(12) **United States Design Patent** (10) **Patent No.:** **US D879,242 S**
Trunner et al. (45) **Date of Patent:** **** Mar. 24, 2020**

(54) **FILTER ELEMENT**

(71) Applicant: **FSP Fluid Systems Partners Holding AG**, Baar (CH)

(72) Inventors: **Daniel Trunner**, Kraichtal (DE); **Tanja Schleuter**, Schifferstadt (DE)

(73) Assignee: **FSP Fluid Systems Partners Holding AG**, Baar (CH)

(**) Term: **15 Years**

(21) Appl. No.: **29/647,077**

(22) Filed: **May 9, 2018**

(30) **Foreign Application Priority Data**

Nov. 10, 2017 (DE) 40 2017 101 233

(51) **LOC (12) Cl.** **23-01**

(52) **U.S. Cl.**
USPC **D23/209**

(58) **Field of Classification Search**

USPC D23/209, 210, 233, 259–263, 266–269

CPC F16L 11/00; F16L 37/252; F16L 41/007;

E03C 1/26; E03C 1/262; E03C 1/28;

E03F 5/04; A61B 5/00; A61M 25/09016

See application file for complete search history.

(56) **References Cited**

U.S. PATENT DOCUMENTS

D353,298 S * 12/1994 Hartpence, Jr. D7/396.2

D422,061 S * 3/2000 Lee D23/261

D481,101 S * 10/2003 Boehrs D23/209

D552,308 S * 10/2007 Farr D30/161

D571,898 S * 6/2008 Gilligan D23/260

D571,899 S * 6/2008 Gilligan D23/260

D609,775 S * 2/2010 Zukor D23/209

(Continued)

Primary Examiner — Manpreet S Matharu

Assistant Examiner — Keith J Wilson

(74) *Attorney, Agent, or Firm* — Hamre, Schumann, Mueller & Larson, P.C.

(57) **CLAIM**

We claim the ornamental design for a filter element, as shown and described.

DESCRIPTION

FIG. 1 is a perspective view of a filter element according to the new design.

FIG. 2 is a front view thereof.

FIG. 3 is a rear view thereof.

FIG. 4 is a right side view thereof.

FIG. 5 is a left side view thereof.

FIG. 6 is a top view thereof.

FIG. 7 is a bottom view thereof.

FIG. 8 is a perspective view of another filter element according to the new design.

FIG. 9 is a front view of the filter element of FIG. 8.

FIG. 10 is a rear view of the filter element of FIG. 8.

FIG. 11 is a right side view of the filter element of FIG. 8.

FIG. 12 is a left side view of the filter element of FIG. 8.

FIG. 13 is a top view of the filter element of FIG. 8.

FIG. 14 is a bottom view of the filter element of FIG. 8.

FIG. 15 is a perspective view of another filter element according to the new design.

FIG. 16 is a front view of the filter element of FIG. 15.

FIG. 17 is a rear view of the filter element of FIG. 15.

FIG. 18 is a right side view of the filter element of FIG. 15.

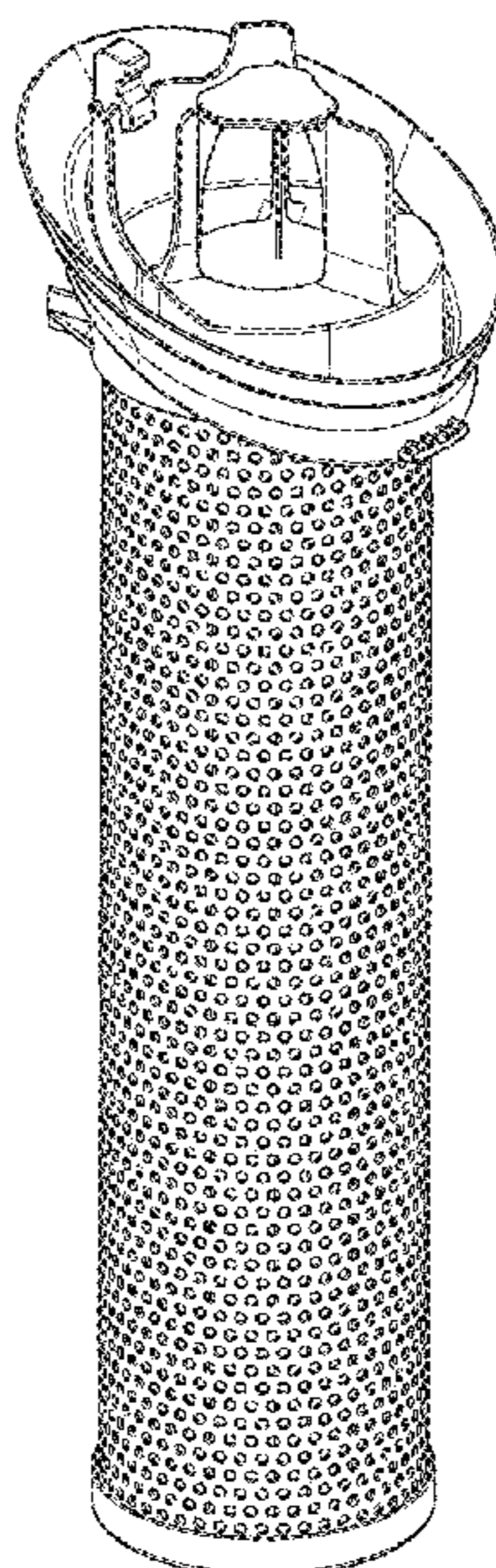
FIG. 19 is a left side view of the filter element of FIG. 15.

FIG. 20 is a top view of the filter element of FIG. 15; and,

FIG. 21 is a bottom view of the filter element of FIG. 15.

The broken lines shown are included for the purpose of illustrating portions of the filter element which form no part of the claimed design.

1 Claim, 21 Drawing Sheets



(56)

References Cited

U.S. PATENT DOCUMENTS

D623,728	S	*	9/2010	Mjelde	D23/261
D673,245	S	*	12/2012	Cooney	D23/260
D673,246	S	*	12/2012	Lee	D23/260
D677,368	S	*	3/2013	Ho	D23/261
D678,483	S	*	3/2013	Barker	D23/261
D691,244	S	*	10/2013	Ho	D23/261
D778,411	S	*	2/2017	Brown	D23/261
D785,132	S	*	4/2017	Jackson	D23/209
D816,434	S	*	5/2018	Burns	D7/667
D820,638	S	*	6/2018	Chitayat	D7/400
D836,756	S	*	12/2018	Myers, II	E03C 1/26
						D23/261
2005/0056593	A1	*	3/2005	Erfan	B01D 46/2418
						210/660

* cited by examiner

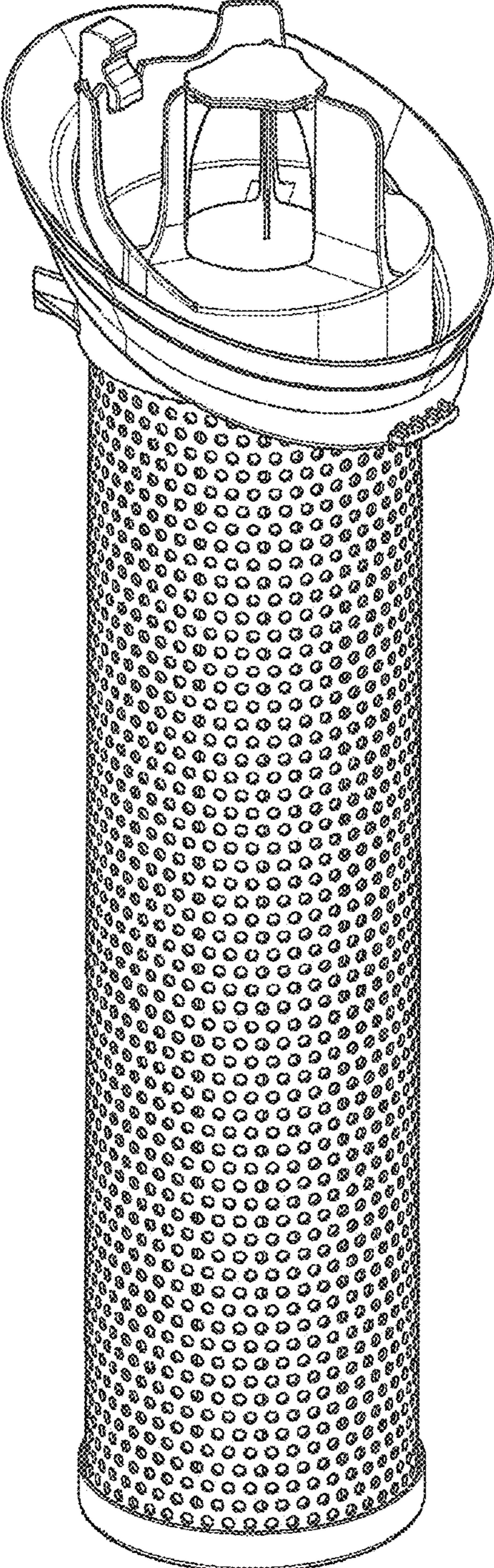


FIG. 1

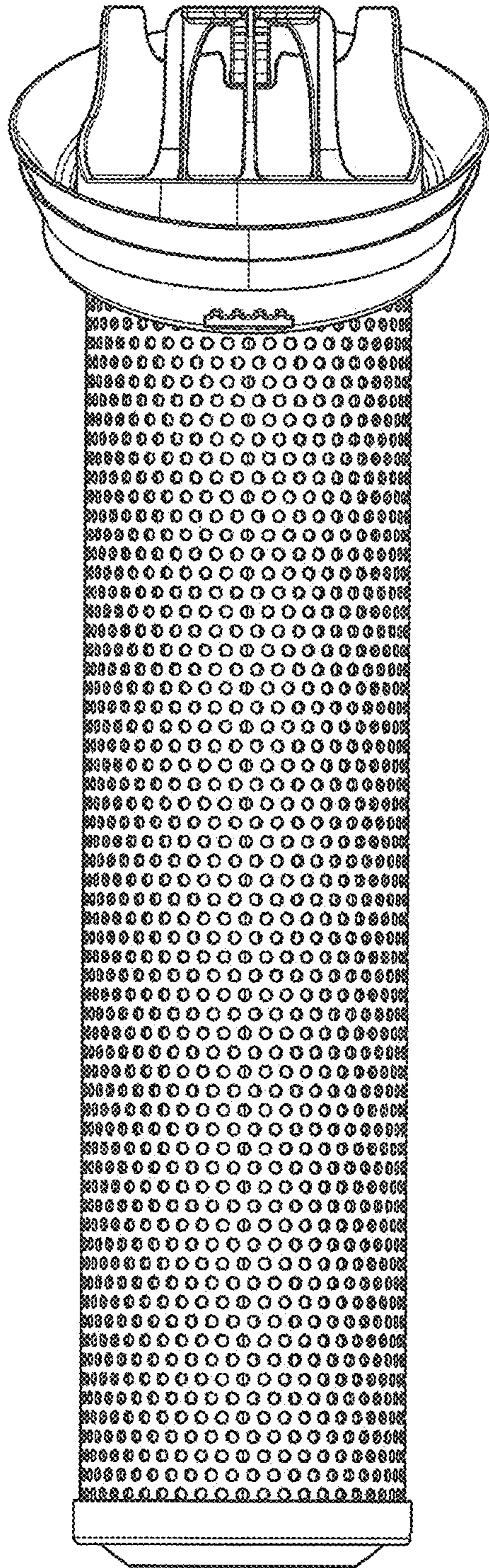


FIG. 2

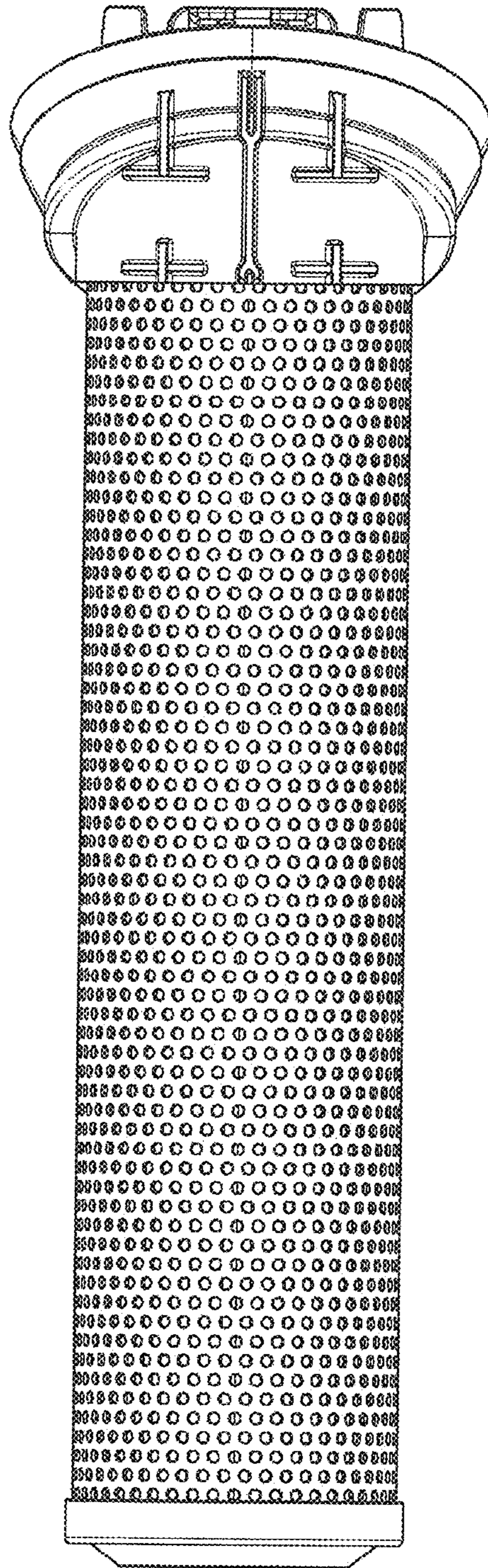


FIG. 3

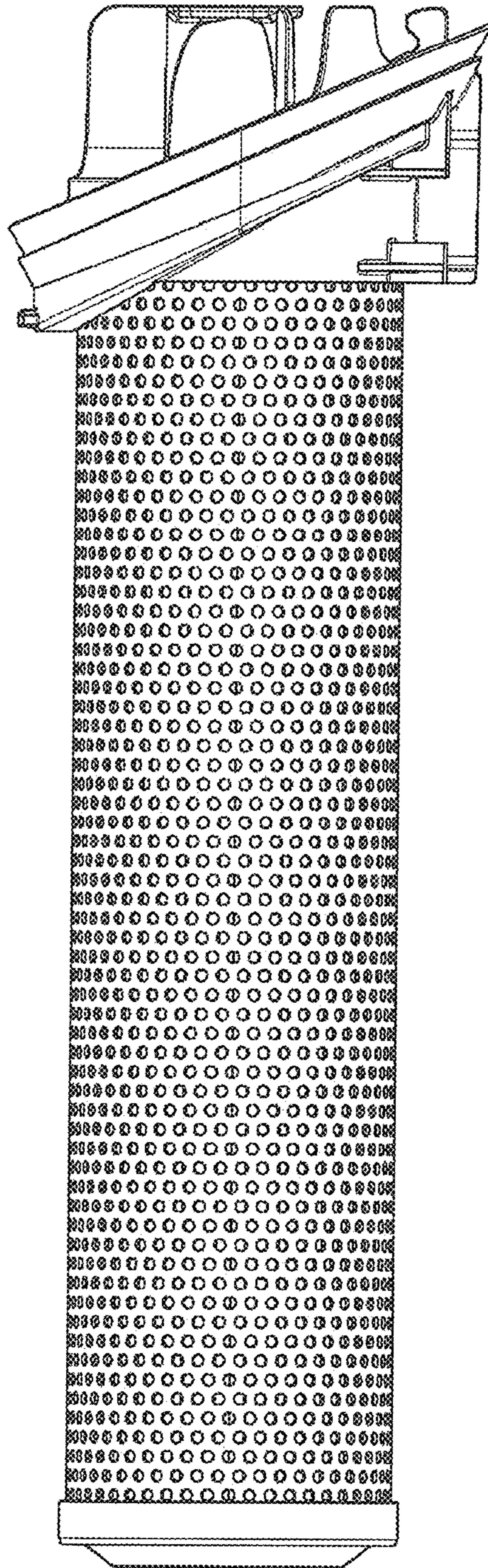


FIG. 4

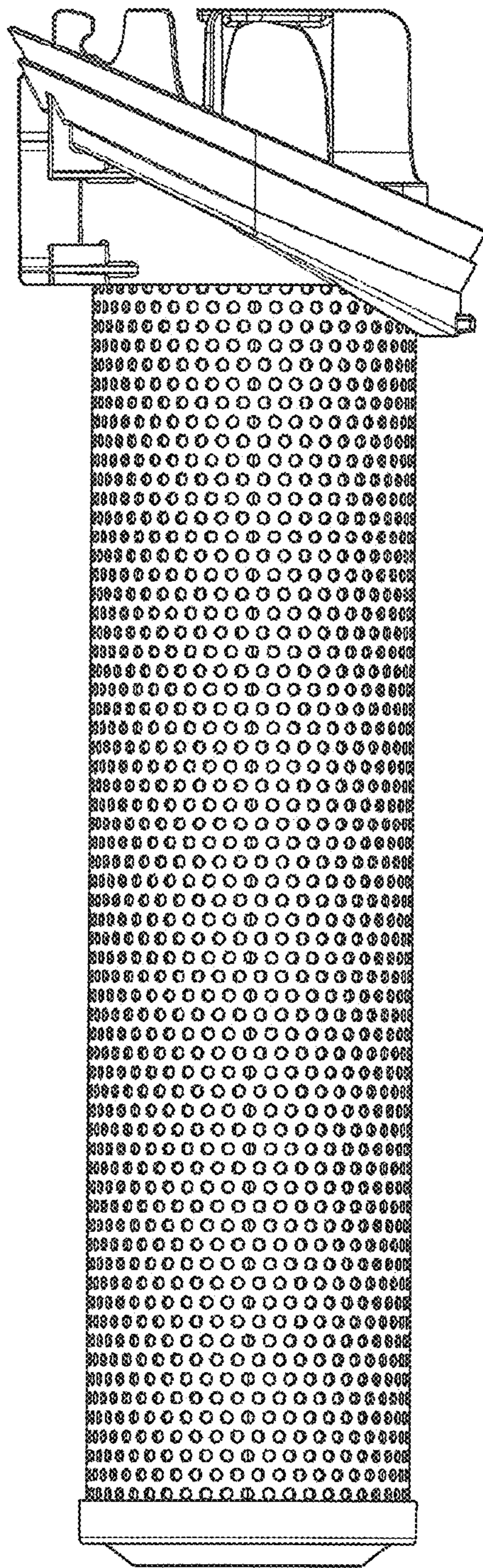


FIG. 5

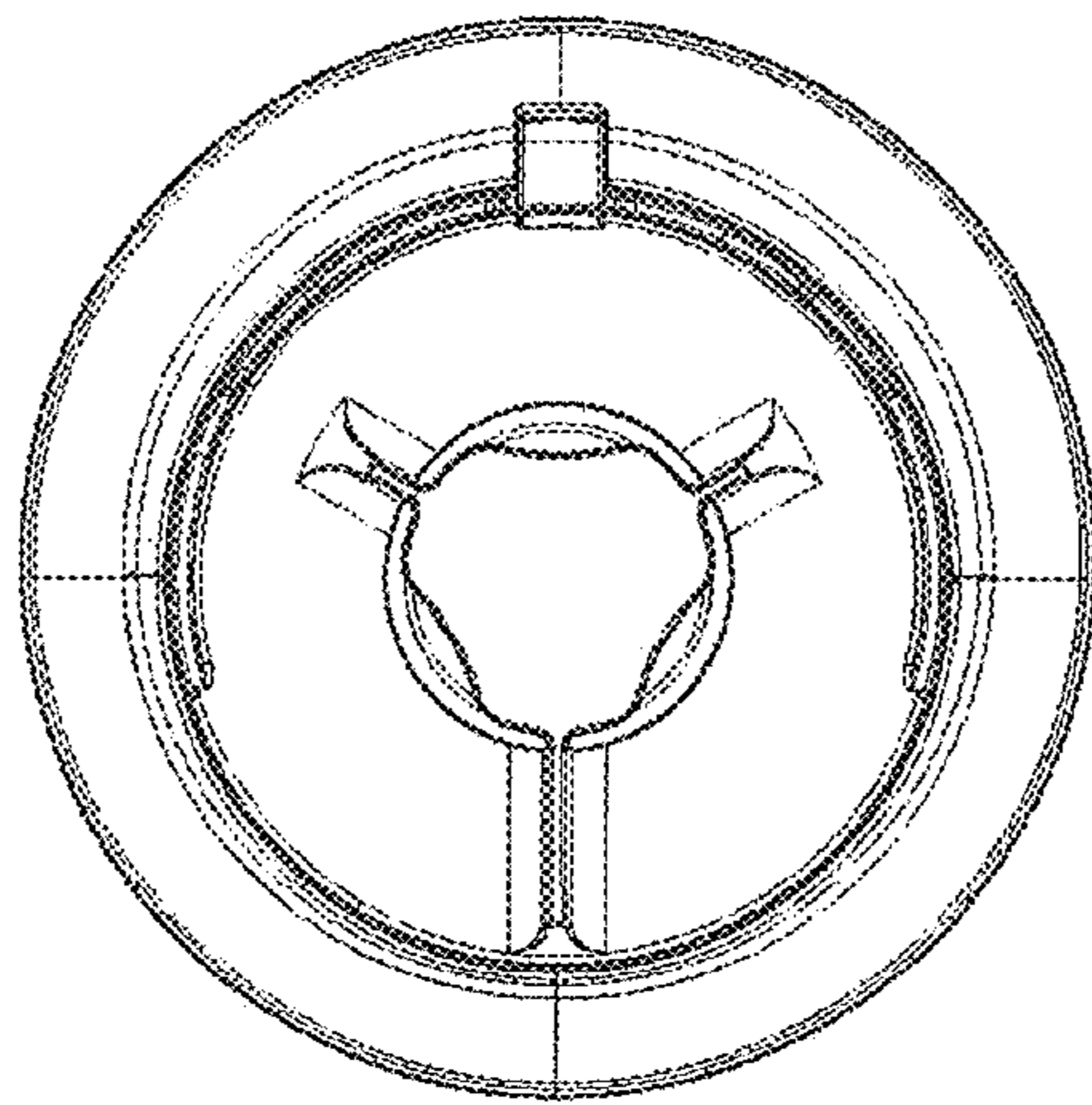


FIG. 6

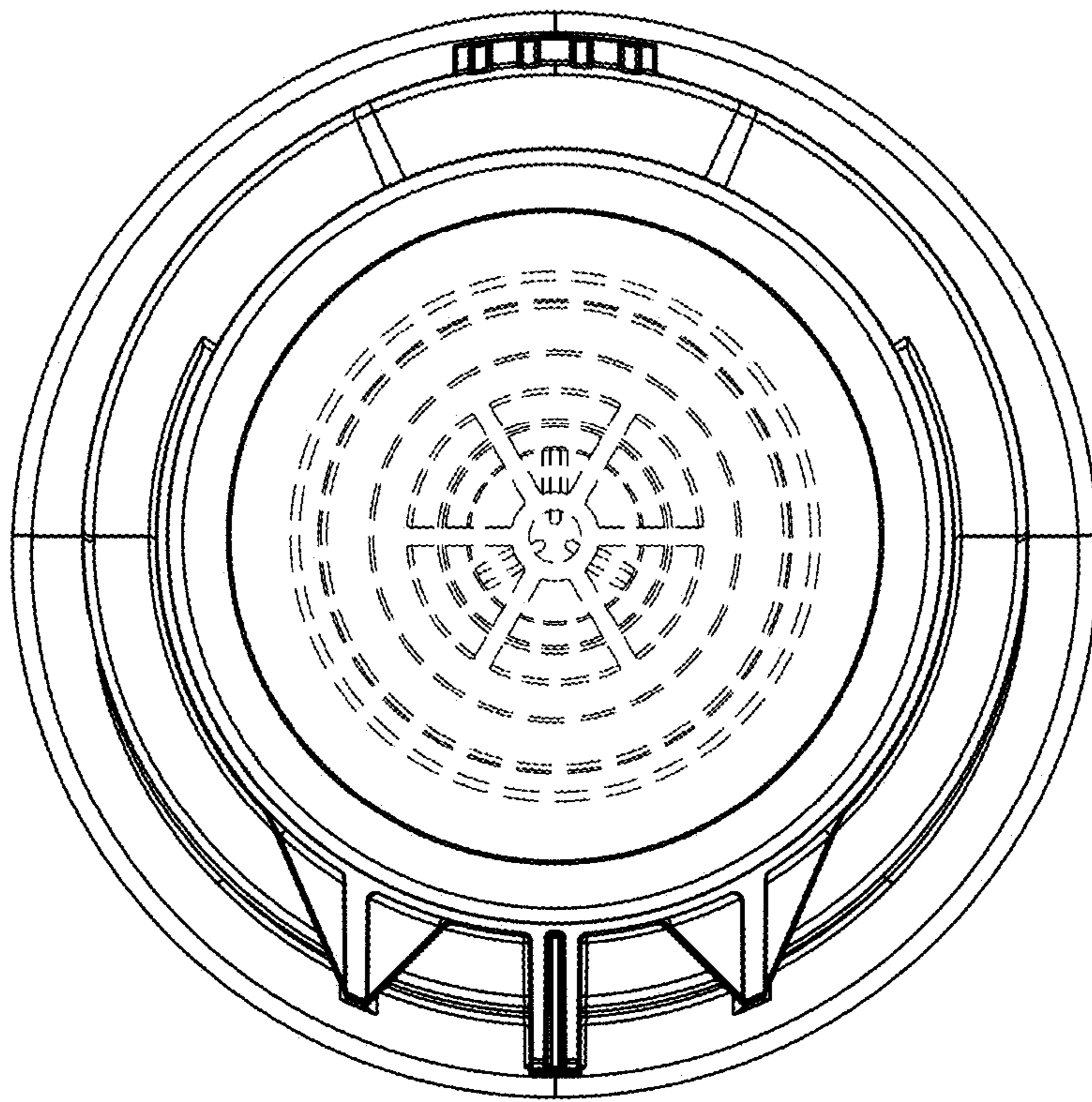


FIG. 7

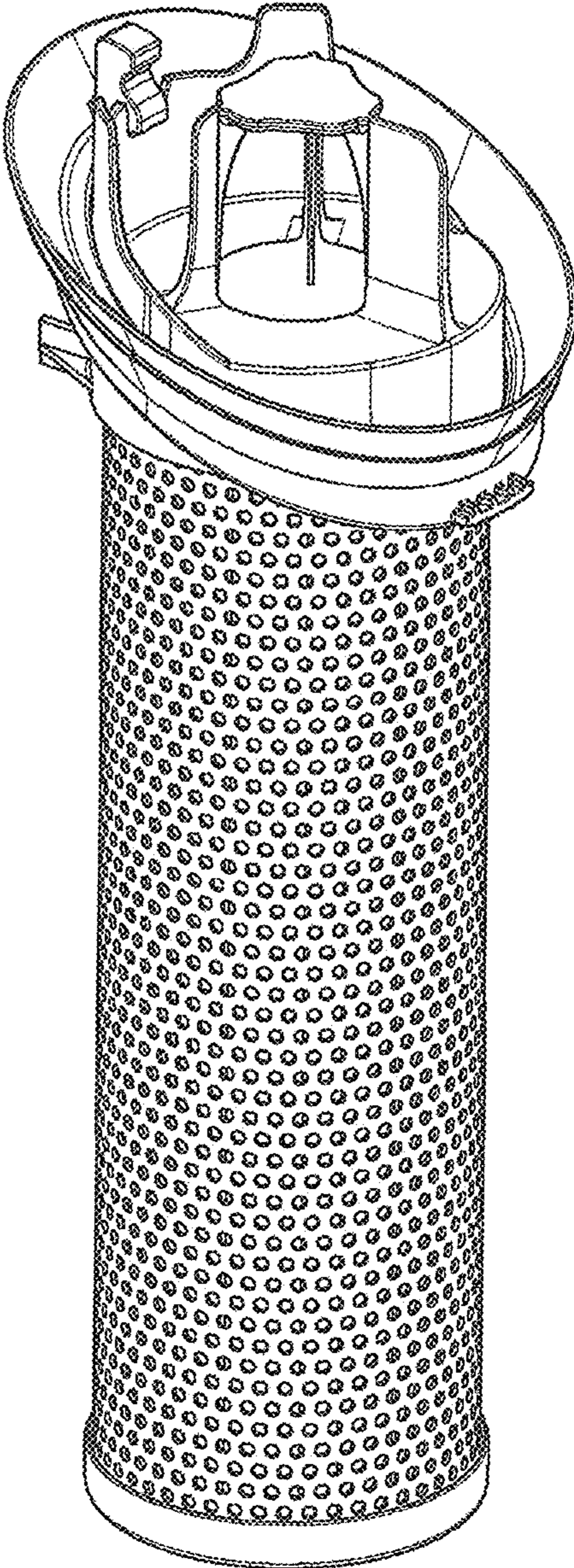


FIG. 8

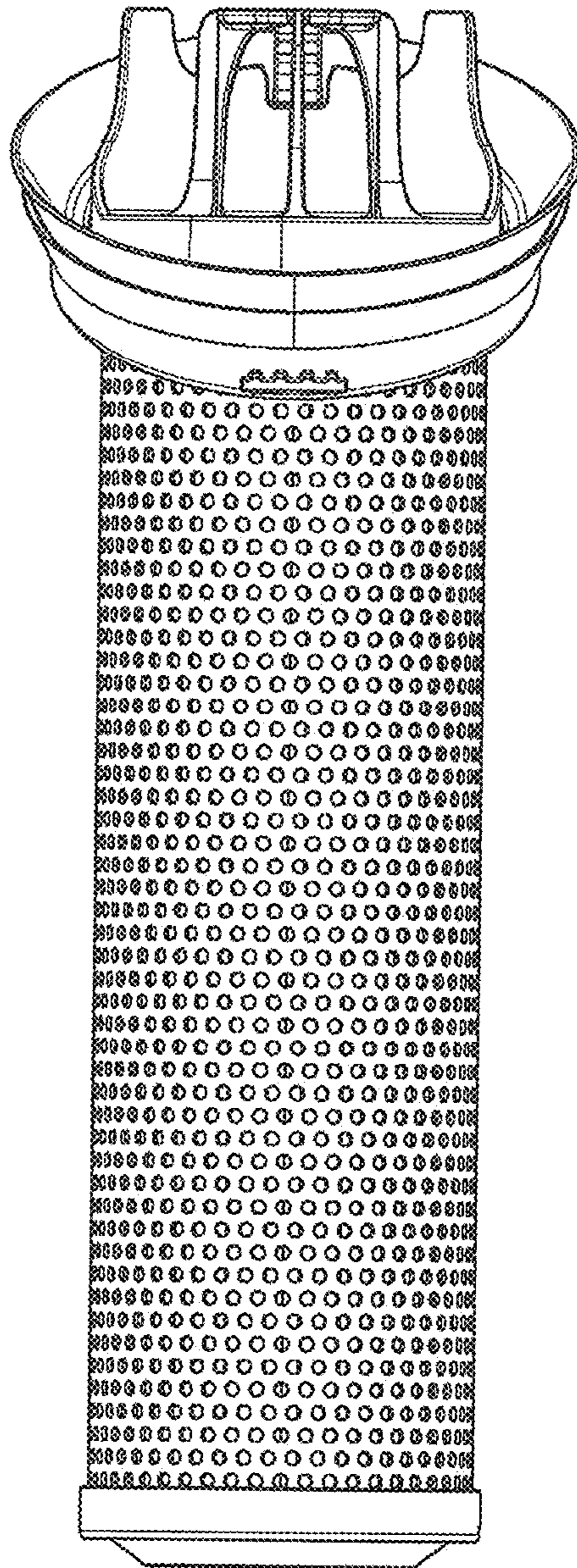


FIG. 9

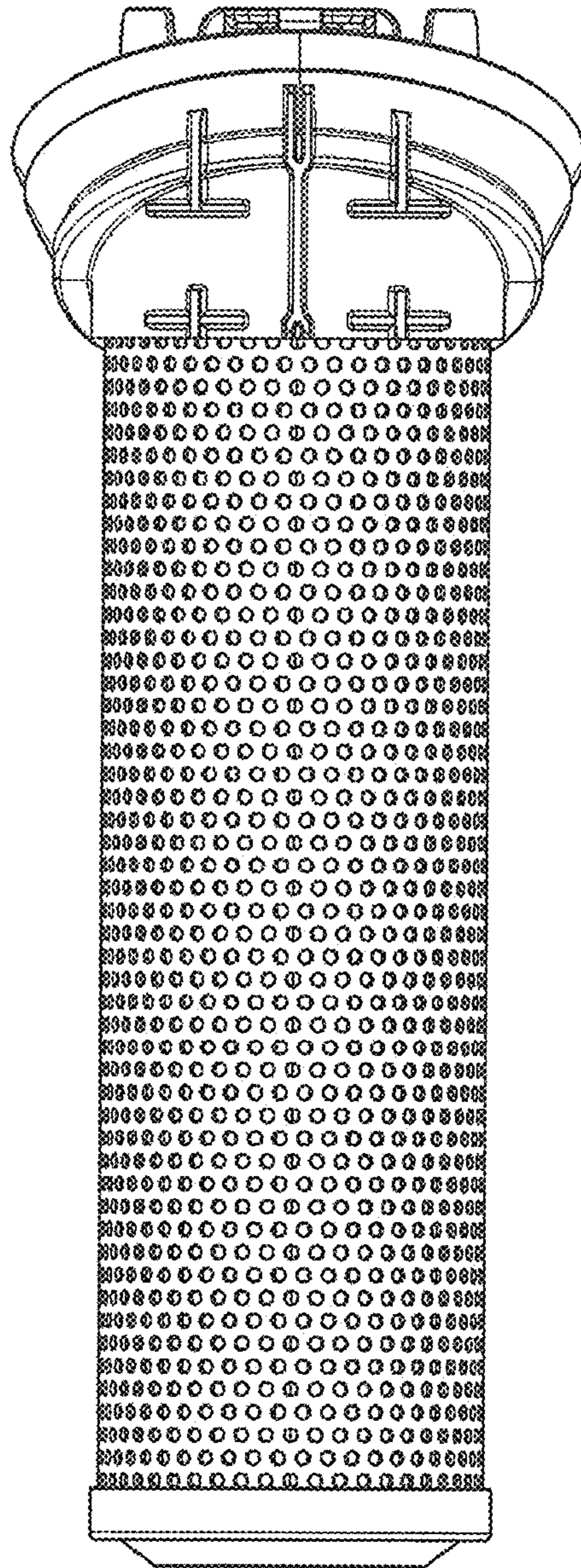


FIG. 10

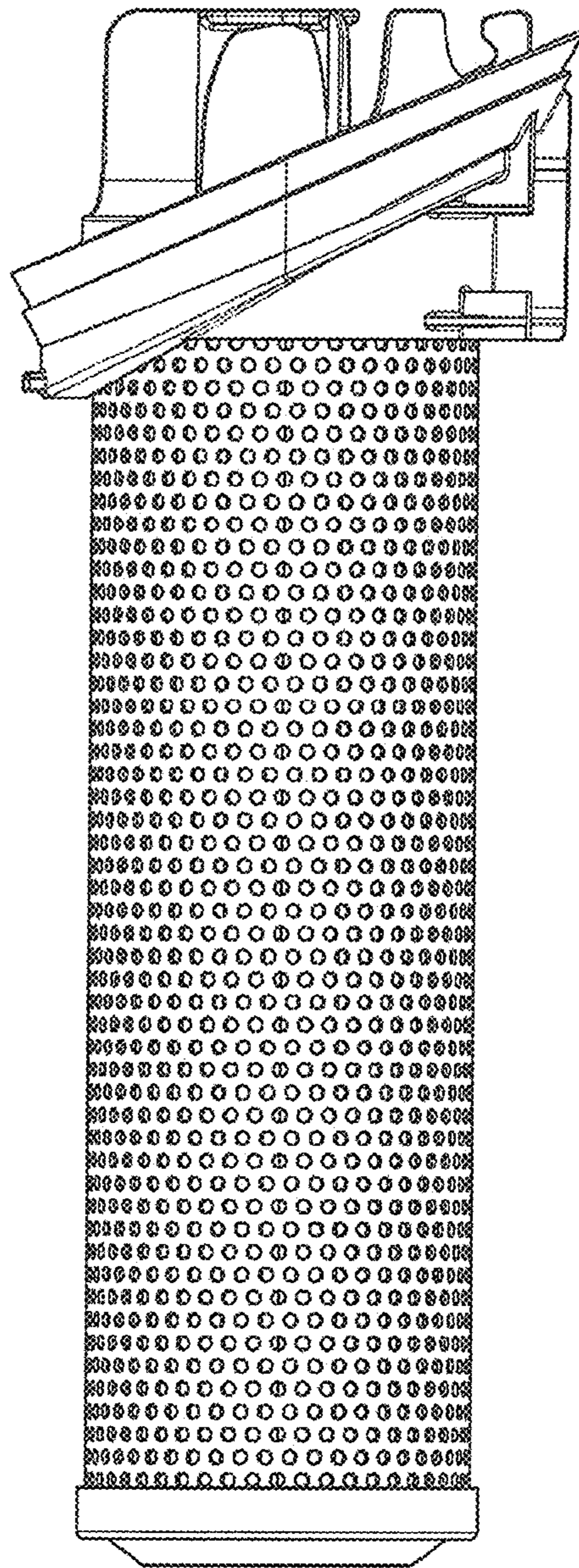


FIG. 11

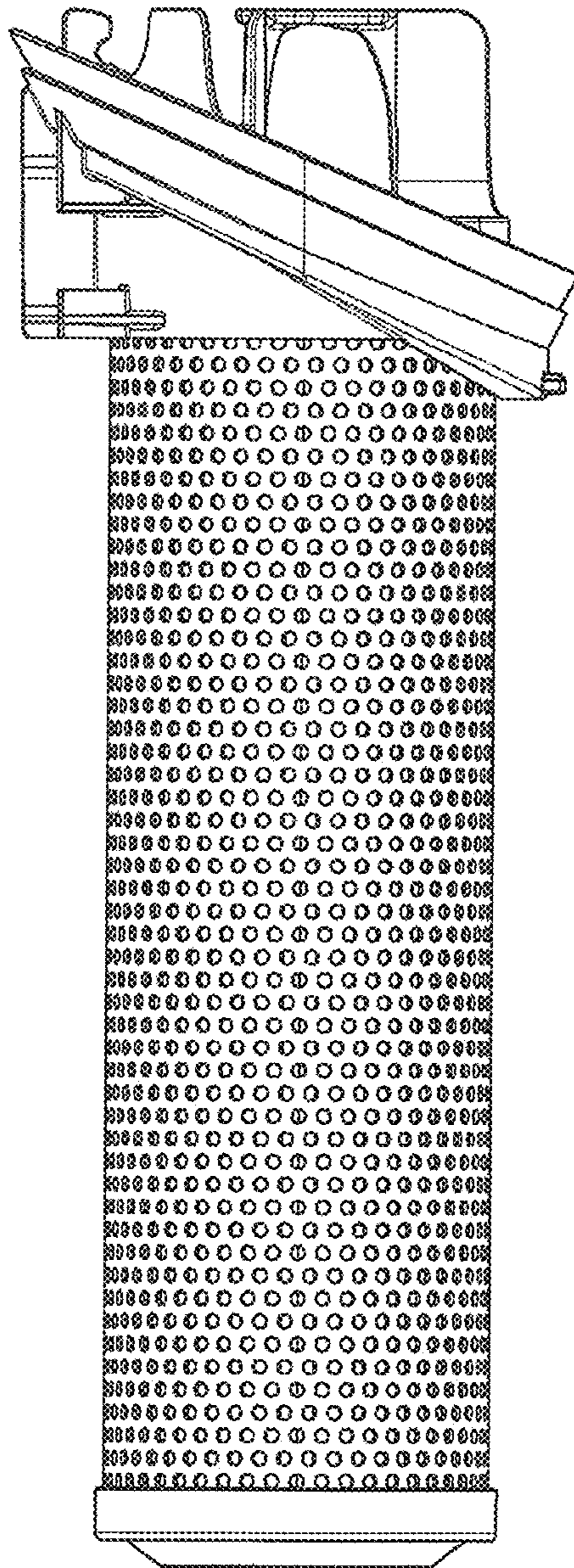


FIG. 12

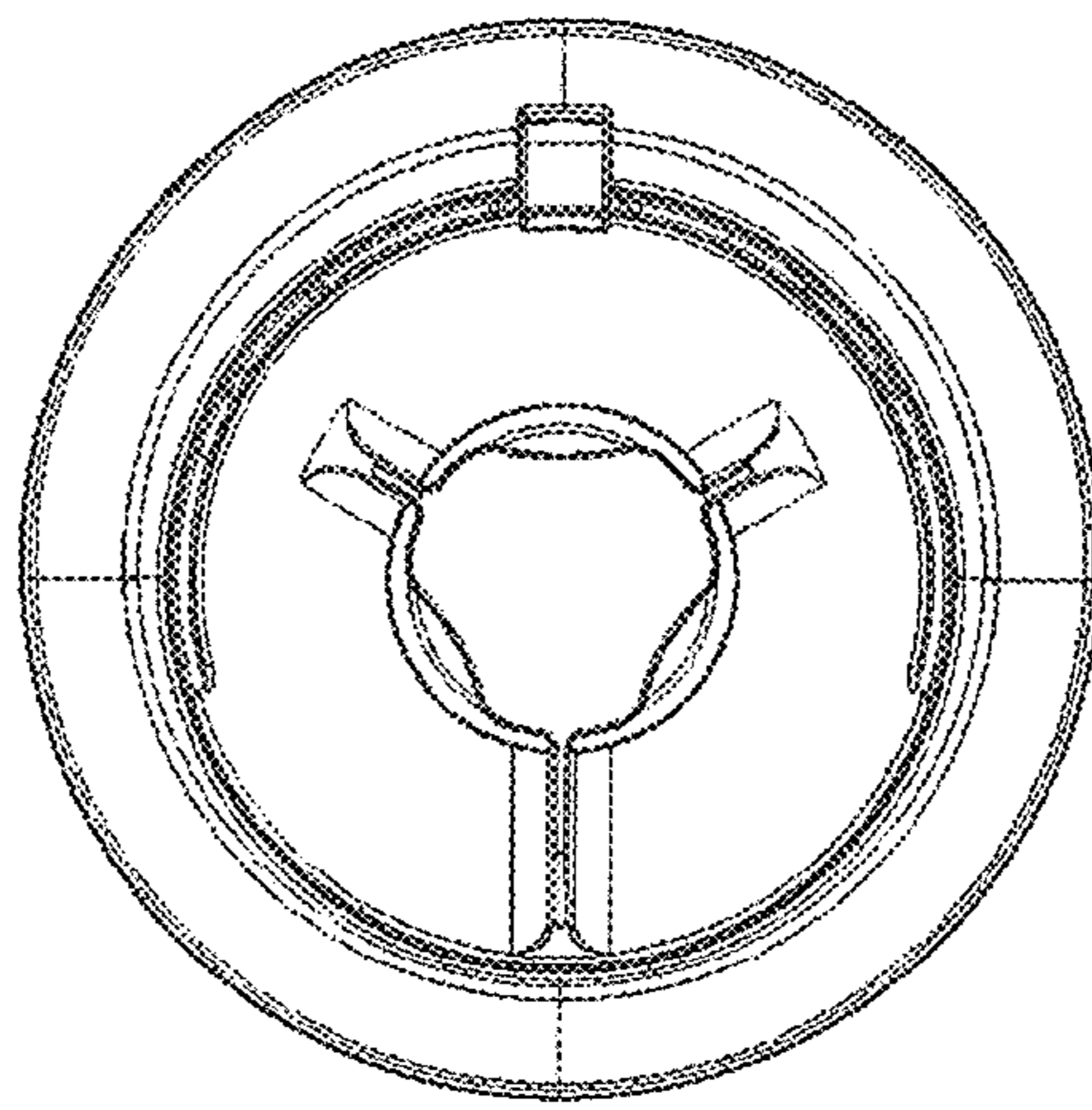


FIG. 13

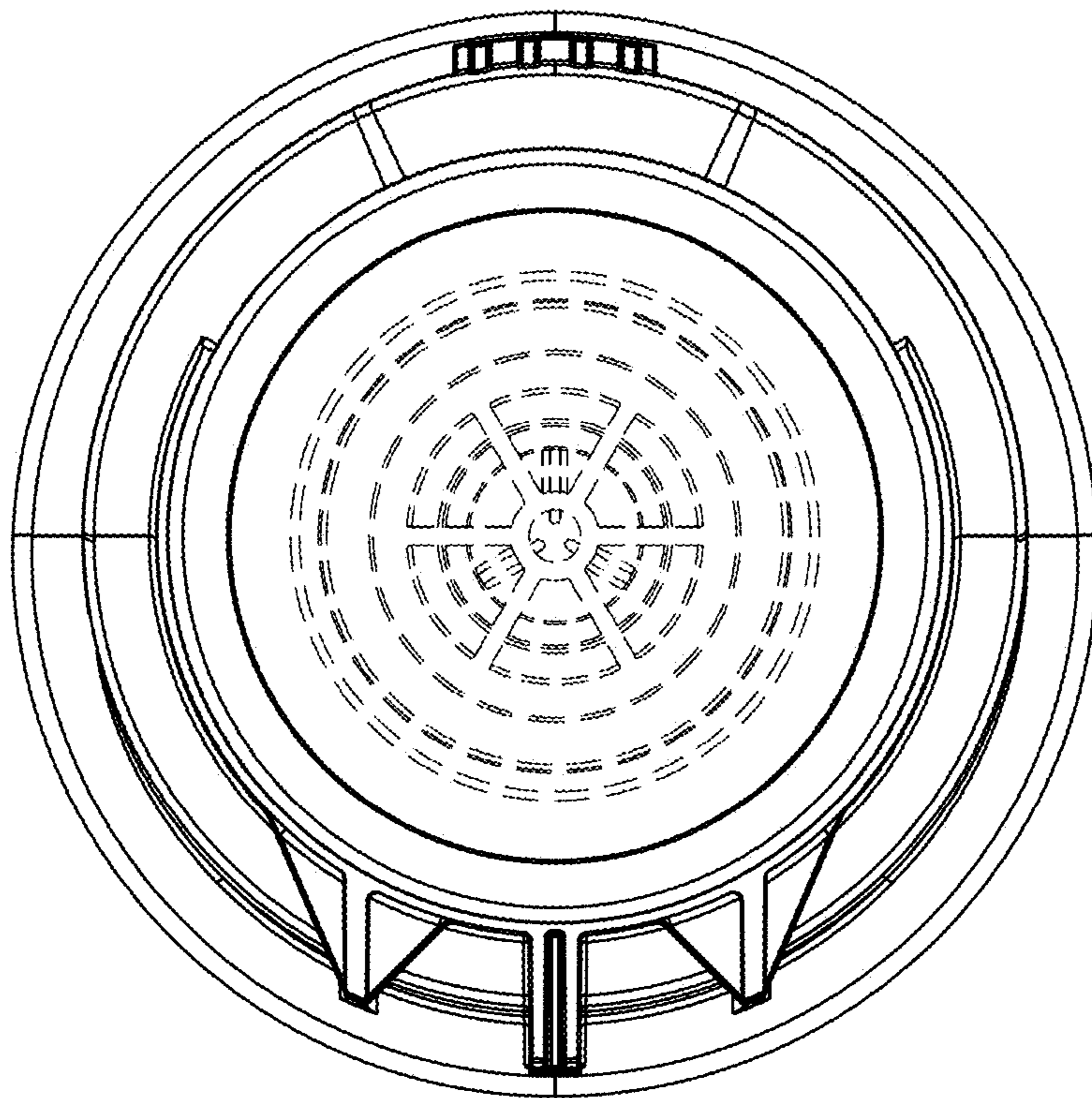


FIG. 14

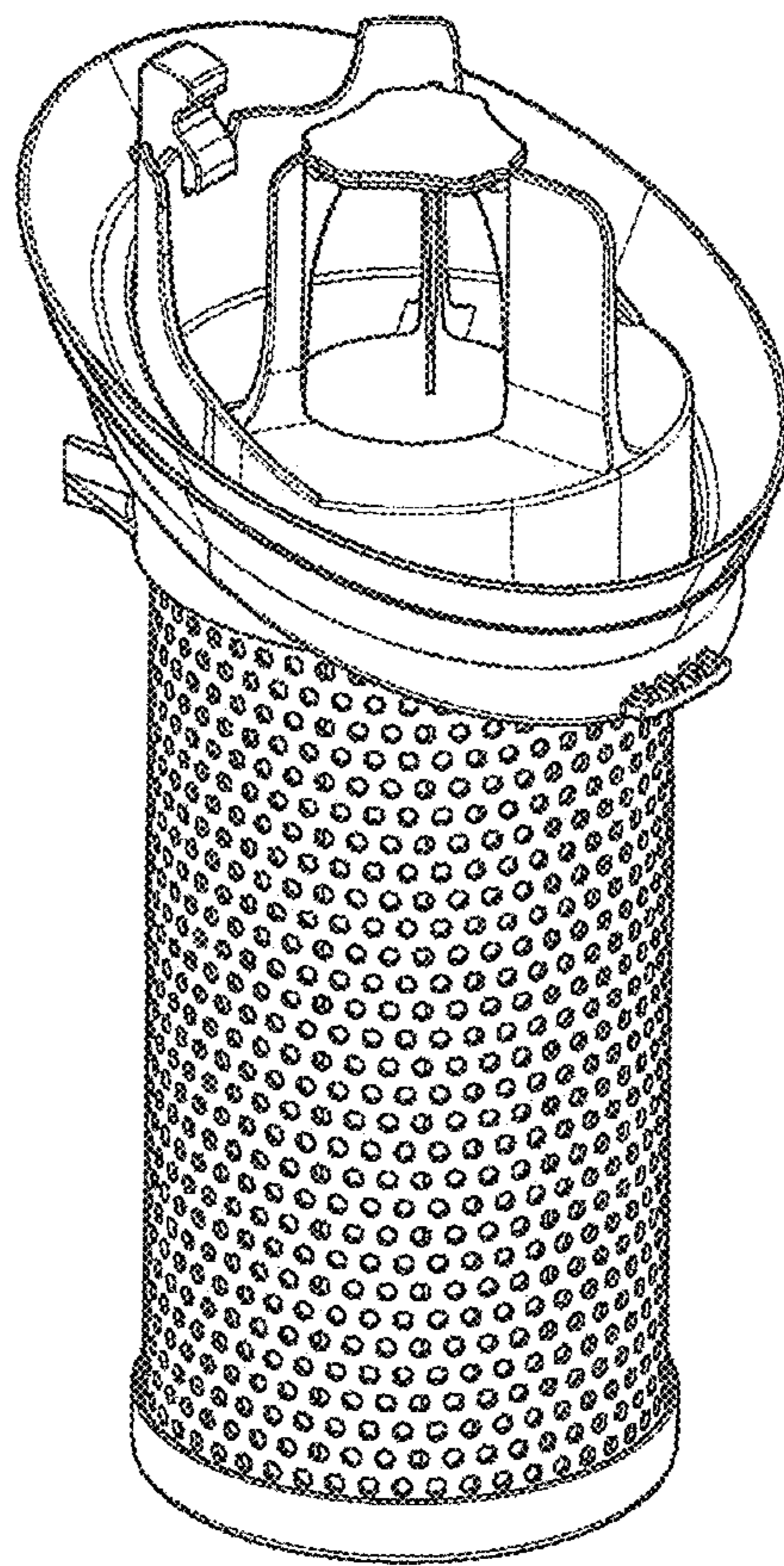


FIG. 15

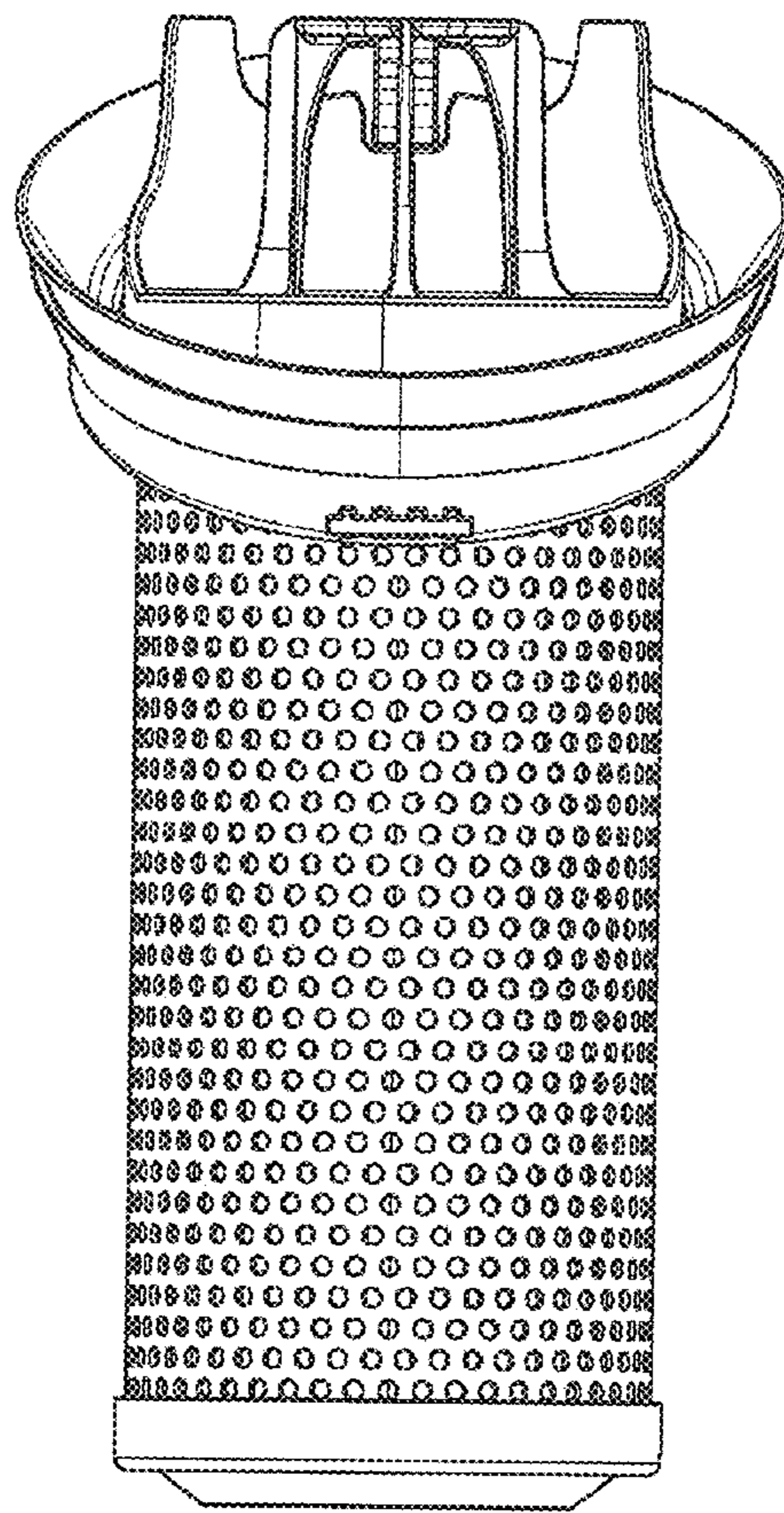


FIG. 16

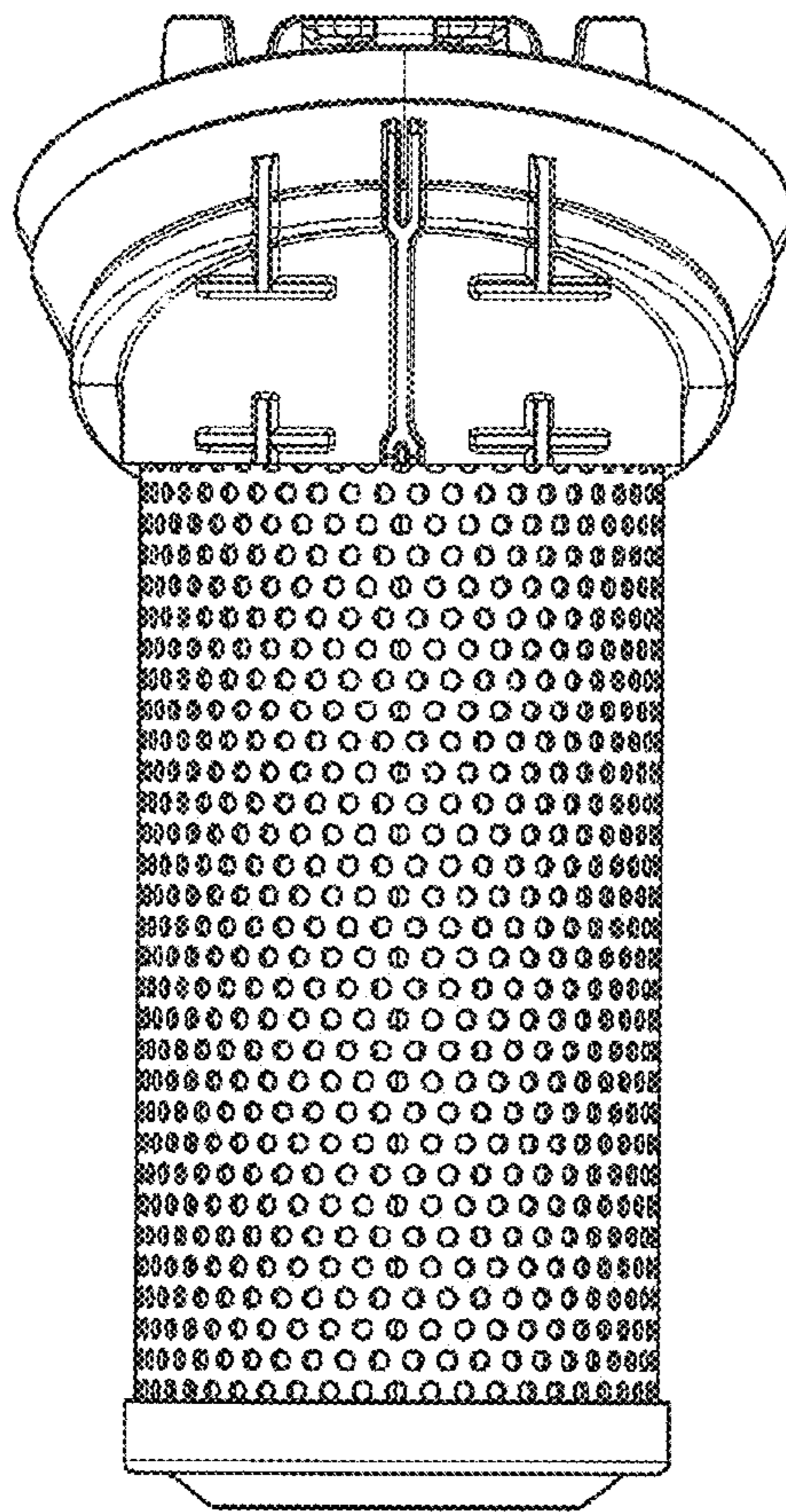


FIG. 17

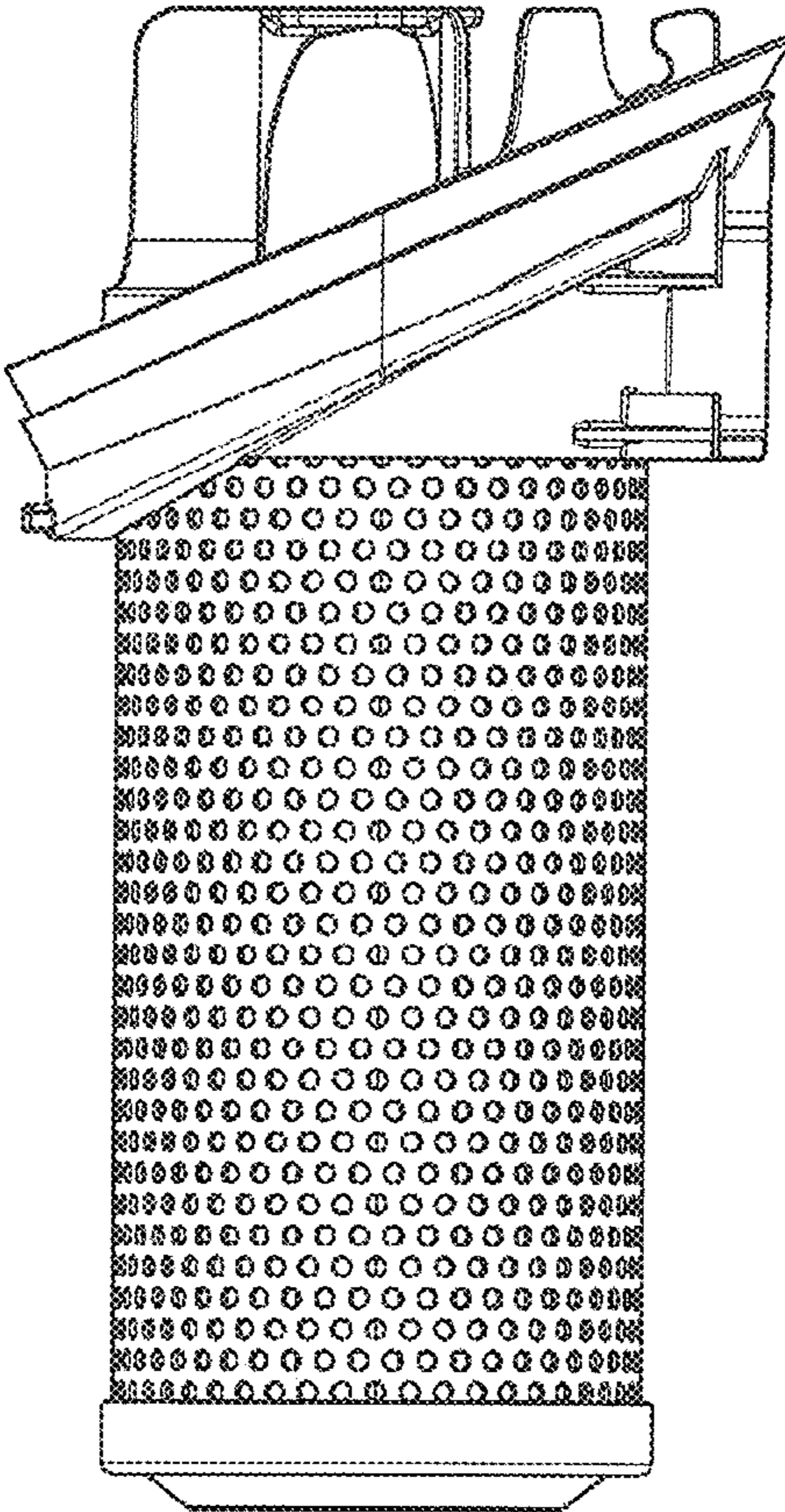


FIG. 18

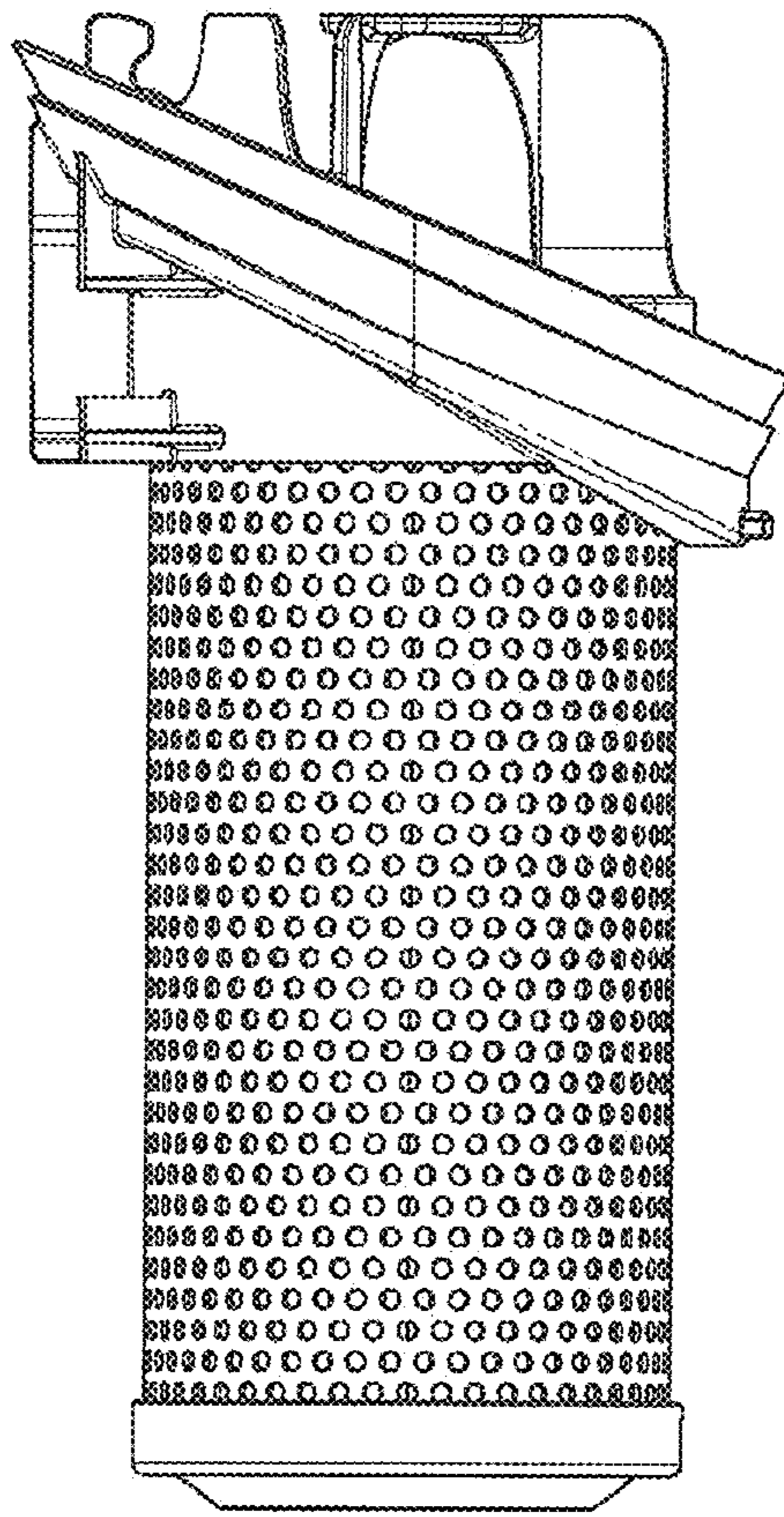


FIG. 19

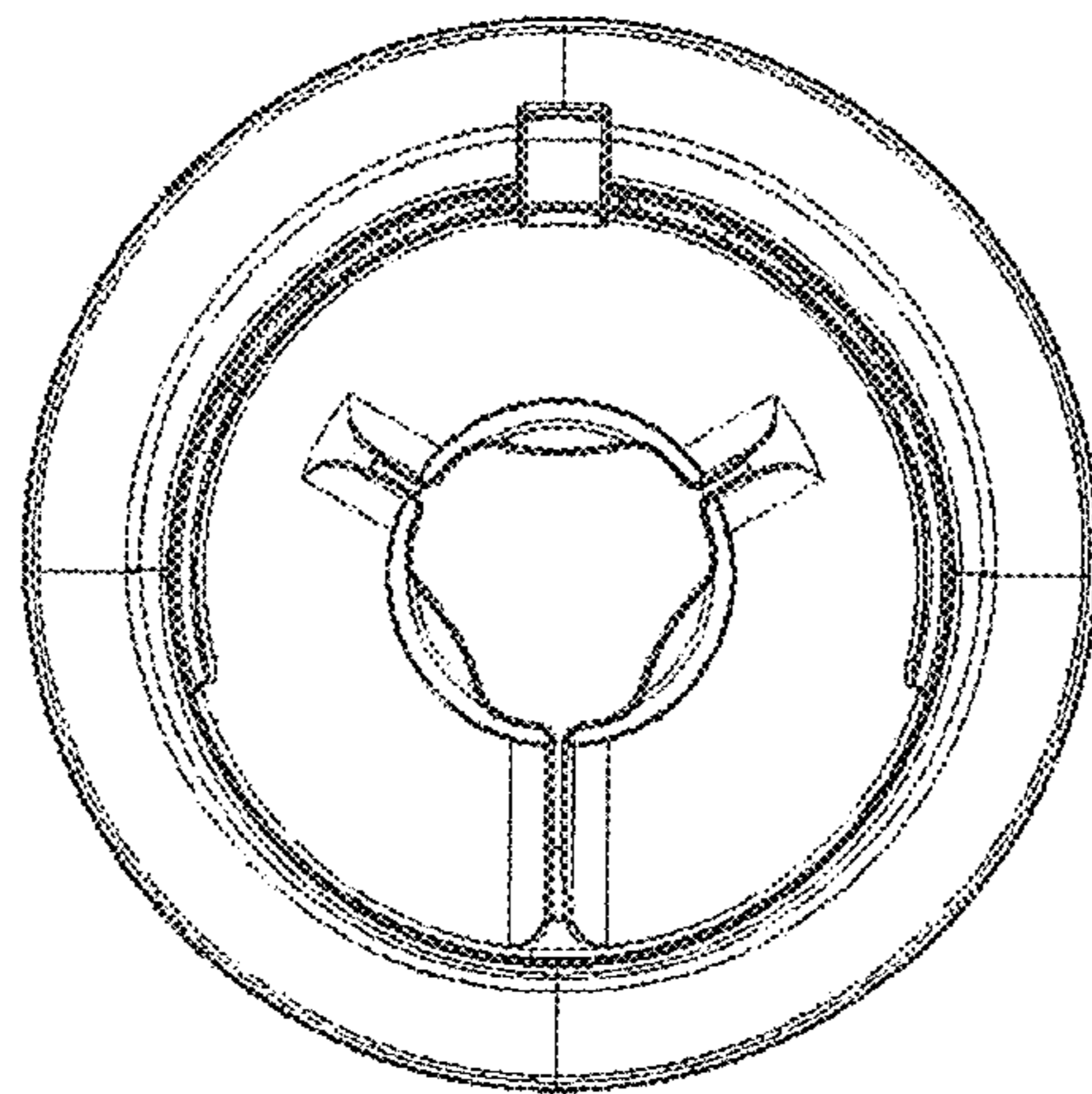


FIG. 20

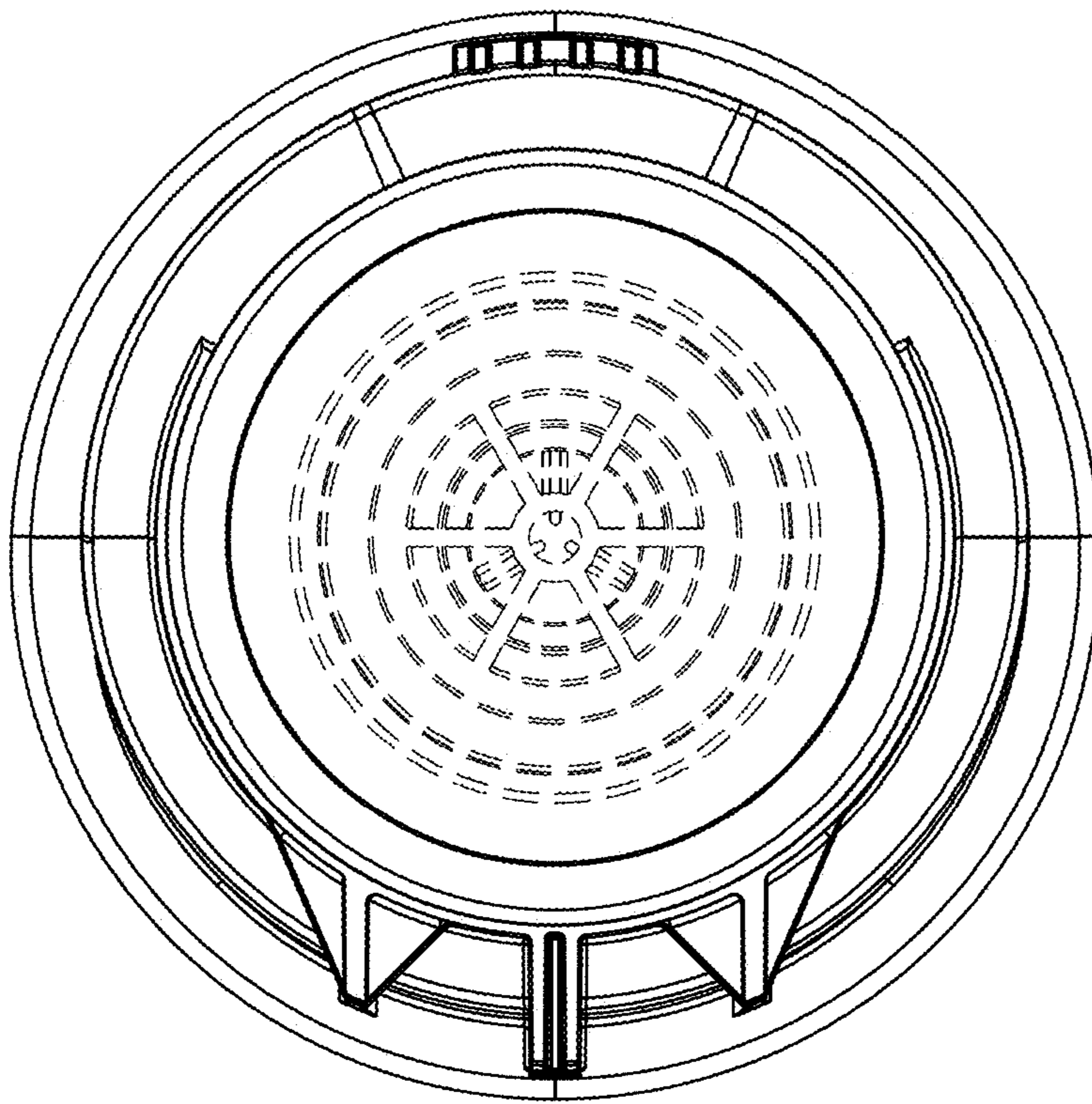


FIG. 21