



US00D879240S

(12) **United States Design Patent** (10) **Patent No.:** **US D879,240 S**
Wu (45) **Date of Patent:** **** Mar. 24, 2020**

(54) **MOSQUITO EXTERMINATOR**

(56) **References Cited**

(71) Applicant: **WENZHOU SORBO TECHNOLOGY CO., LTD.**,
Wenzhou, Zhejiang (CN)

U.S. PATENT DOCUMENTS

(72) Inventor: **Jianjun Wu**, Zhejiang (CN)

D469,149	S	*	1/2003	Levine	D22/120
D638,507	S	*	5/2011	Feuerstein	D22/120
D780,878	S	*	3/2017	Zhang	D22/120
D820,964	S	*	6/2018	Servaire	D23/366
D834,135	S	*	11/2018	Hu	D22/120
D852,312	S	*	6/2019	Gu	D22/120
2008/0141578	A1	*	6/2008	Chen	A01M 1/02 43/113

(73) Assignee: **WENZHOU SORBO TECHNOLOGY CO., LTD.**,
Wenzhou, Zhejiang (CN)

* cited by examiner

(**) Term: **15 Years**

Primary Examiner — Catherine R Oliver-Garcia

(21) Appl. No.: **29/670,068**

(74) *Attorney, Agent, or Firm* — Christensen, Fonder,
Dardi & Herbert PLLC

(22) Filed: **Nov. 13, 2018**

(57) **CLAIM**

I claim the ornamental design for mosquito exterminator, as shown and described.

(30) **Foreign Application Priority Data**

DESCRIPTION

Sep. 26, 2018 (CN) 2018 3 0542275

(51) **LOC (12) Cl.** **22-06**

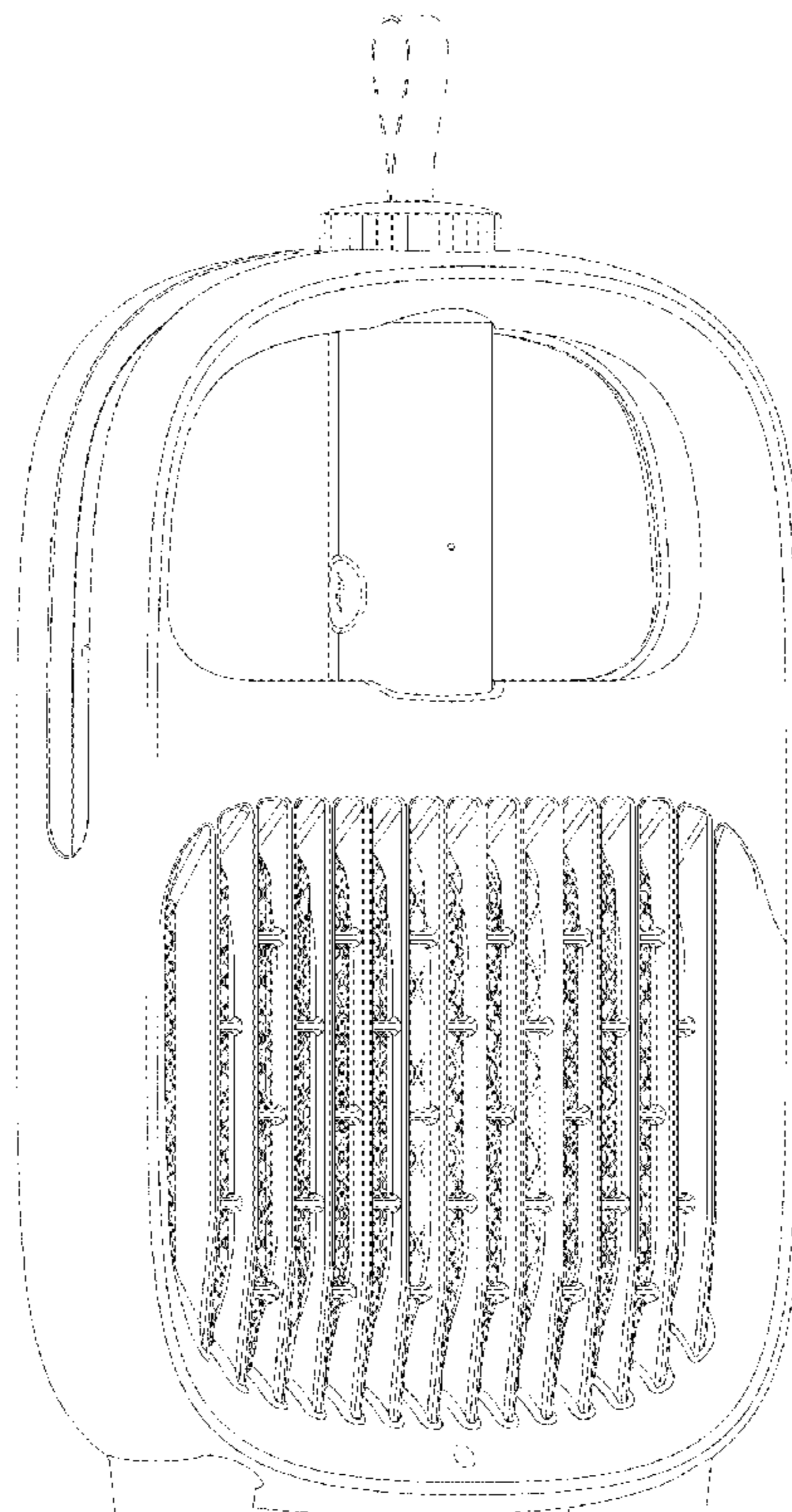
(52) **U.S. Cl.**
USPC **D22/123**

(58) **Field of Classification Search**
USPC D22/119–123; D23/366–369; 43/107,
43/112–114, 122, 128, 131, 132.1;
D26/1–4
CPC A01M 1/04; A01M 1/145; A01M 1/223;
A01M 1/2016; A01M 2200/01; A01M
2200/011; A01M 2200/012

FIG. 1 is a front view of a mosquito exterminator.
FIG. 2 is a rear view of a mosquito exterminator.
FIG. 3 is a left view of a mosquito exterminator.
FIG. 4 is a right view of a mosquito exterminator.
FIG. 5 is a top view of a mosquito exterminator.
FIG. 6 is a bottom view of a mosquito exterminator; and,
FIG. 7 is a perspective view of a mosquito exterminator.
The broken lines depict environmental structure and are included for the purpose of illustration only and form no part of the claimed design.

See application file for complete search history.

1 Claim, 7 Drawing Sheets



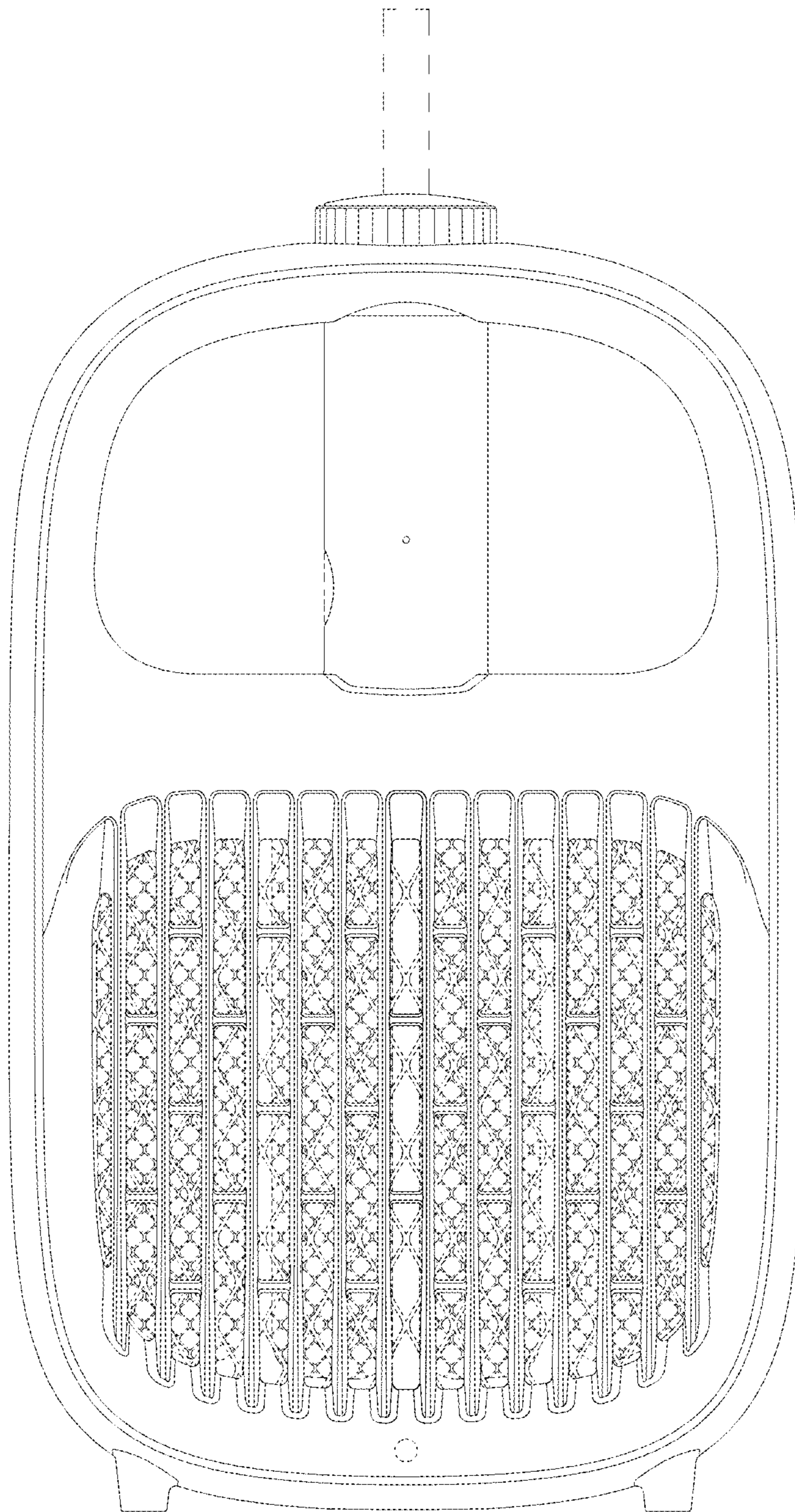


FIG. 1

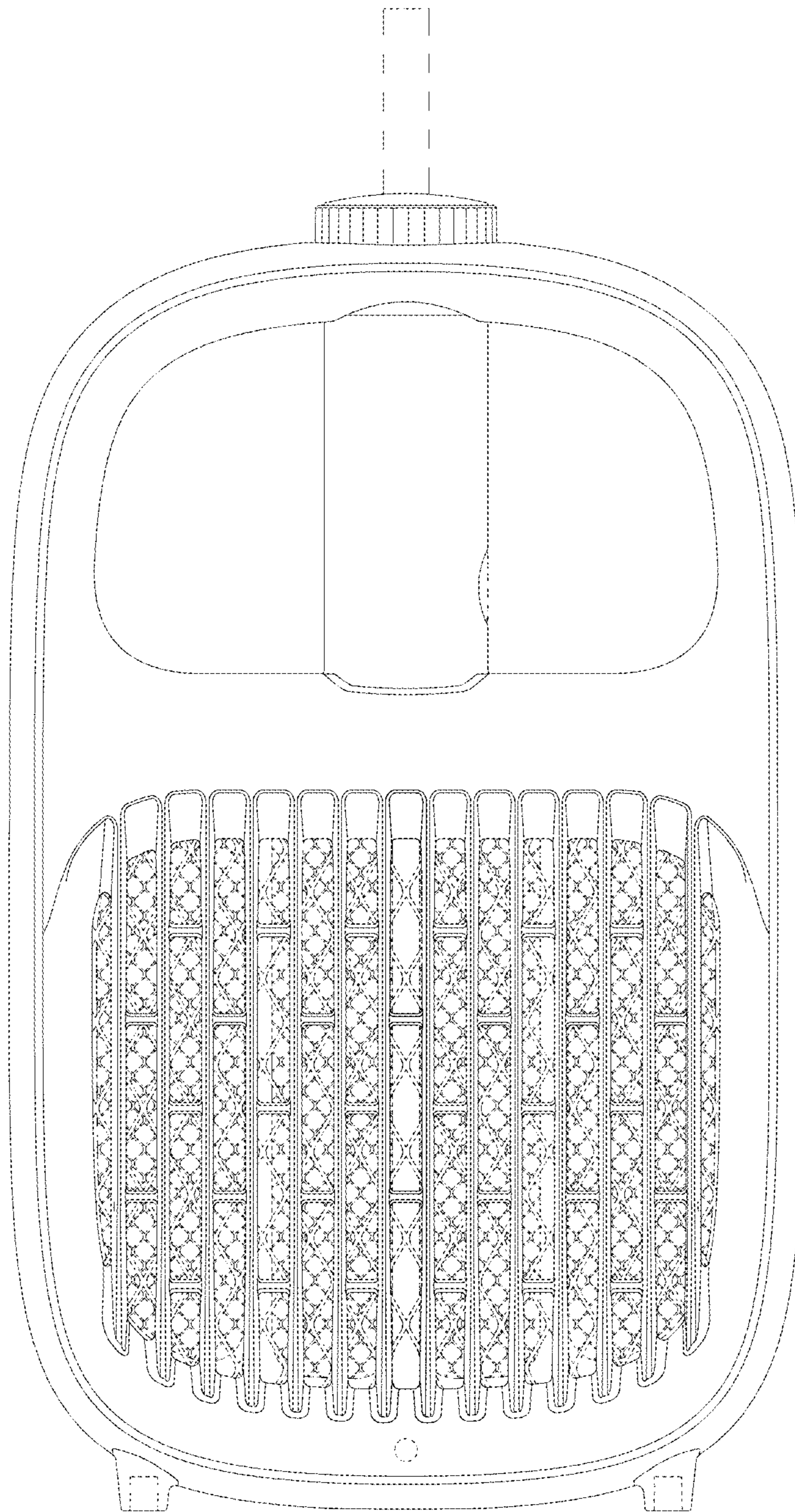


FIG. 2

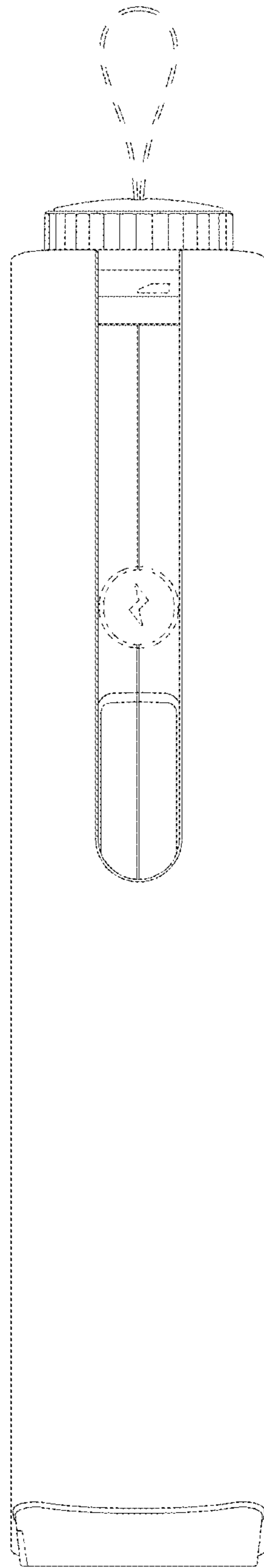


FIG. 3

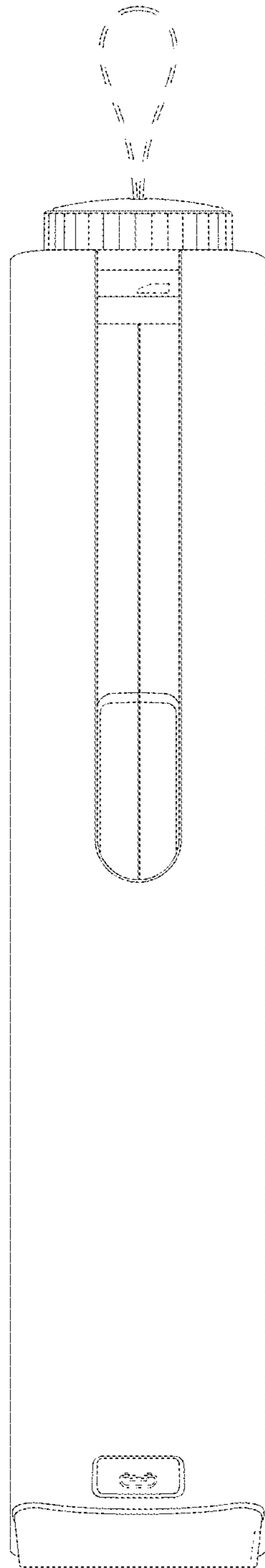


FIG. 4

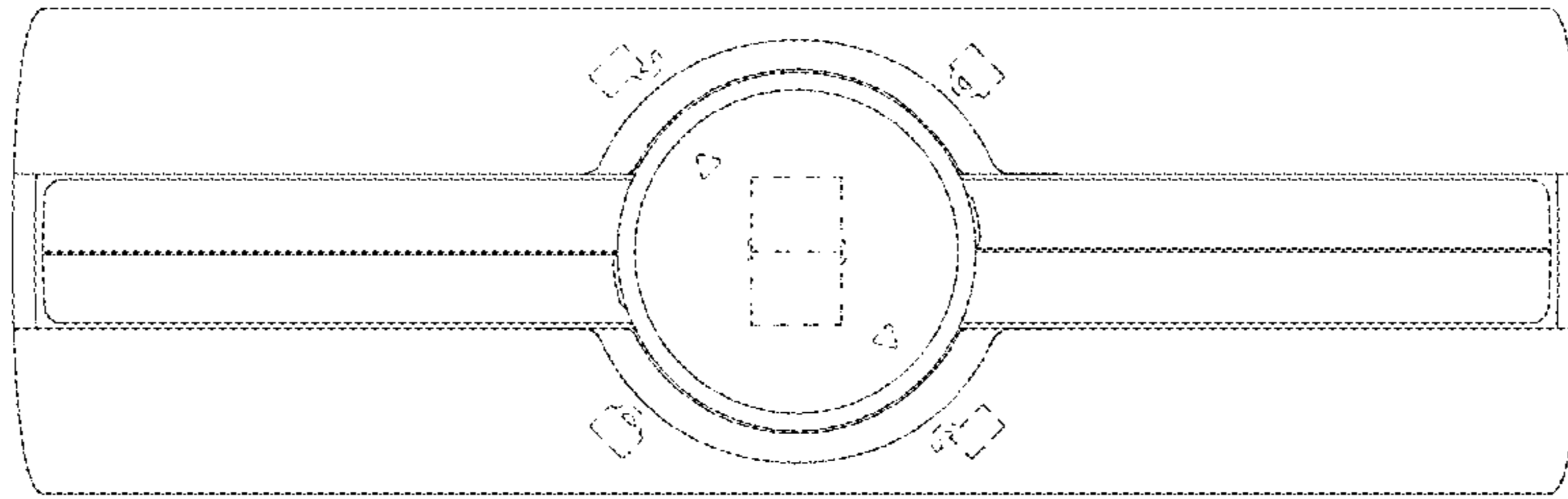


FIG. 5

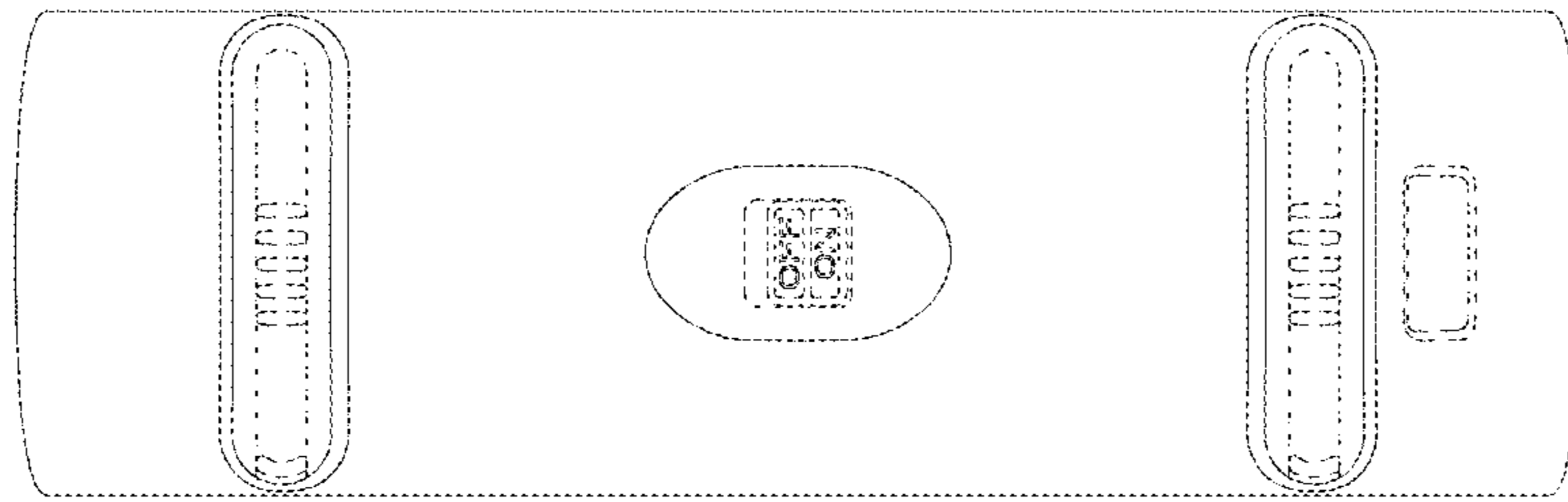


FIG. 6

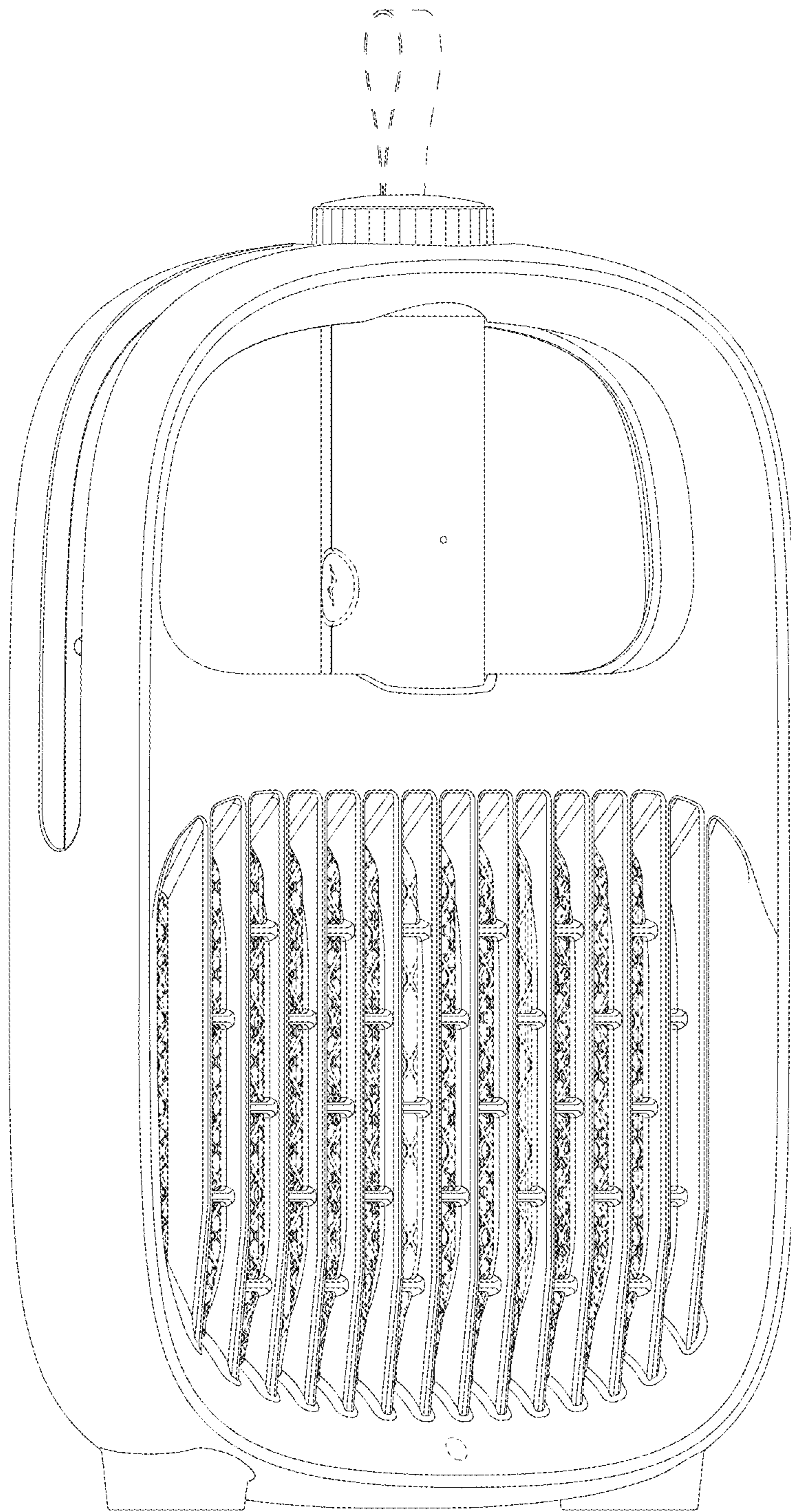


FIG. 7