



US00D879239S

(12) **United States Design Patent** (10) **Patent No.:** **US D879,239 S**  
**Lin** (45) **Date of Patent:** **\*\* Mar. 24, 2020**

(54) **MOSQUITO-KILLING LAMP**  
(71) Applicant: **Zhongshan Xiyou Lighting Appliance Factory, Zhongshan (CN)**  
(72) Inventor: **Xiuyan Lin, Puning (CN)**  
(\*\*) Term: **15 Years**  
(21) Appl. No.: **29/714,089**  
(22) Filed: **Nov. 21, 2019**  
(51) **LOC (12) Cl.** ..... **22-06**  
(52) **U.S. Cl.**  
USPC ..... **D22/122**  
(58) **Field of Classification Search**  
USPC ..... D22/122-124; 43/107, 112-114, 128, 43/131, 132.1  
CPC ..... A01M 1/02; A01M 1/04; A01M 1/22; A01M 1/106; A01M 1/223; A01M 1/2016; A01M 2200/012  
See application file for complete search history.

D634,808 S 3/2011 Tsai  
D821,537 S \* 6/2018 Ye ..... D22/123  
D857,835 S \* 8/2019 Wu ..... D22/123  
D868,932 S \* 12/2019 Zhu ..... D22/123  
D870,233 S \* 12/2019 Zhu ..... D22/123  
2006/0021274 A1\* 2/2006 Chen ..... A01M 1/023 43/112  
2009/0038207 A1\* 2/2009 Lin ..... A01M 1/04 43/112  
2017/0367314 A1\* 12/2017 Billingsley, Jr. .... A01M 1/04  
2019/0159441 A1\* 5/2019 Zheng ..... A01M 1/08

\* cited by examiner

*Primary Examiner* — Catherine R Oliver-Garcia  
(74) *Attorney, Agent, or Firm* — Jie Yang; ZANIP

(57) **CLAIM**

The ornamental design for a mosquito-killing lamp, as shown and described.

**DESCRIPTION**

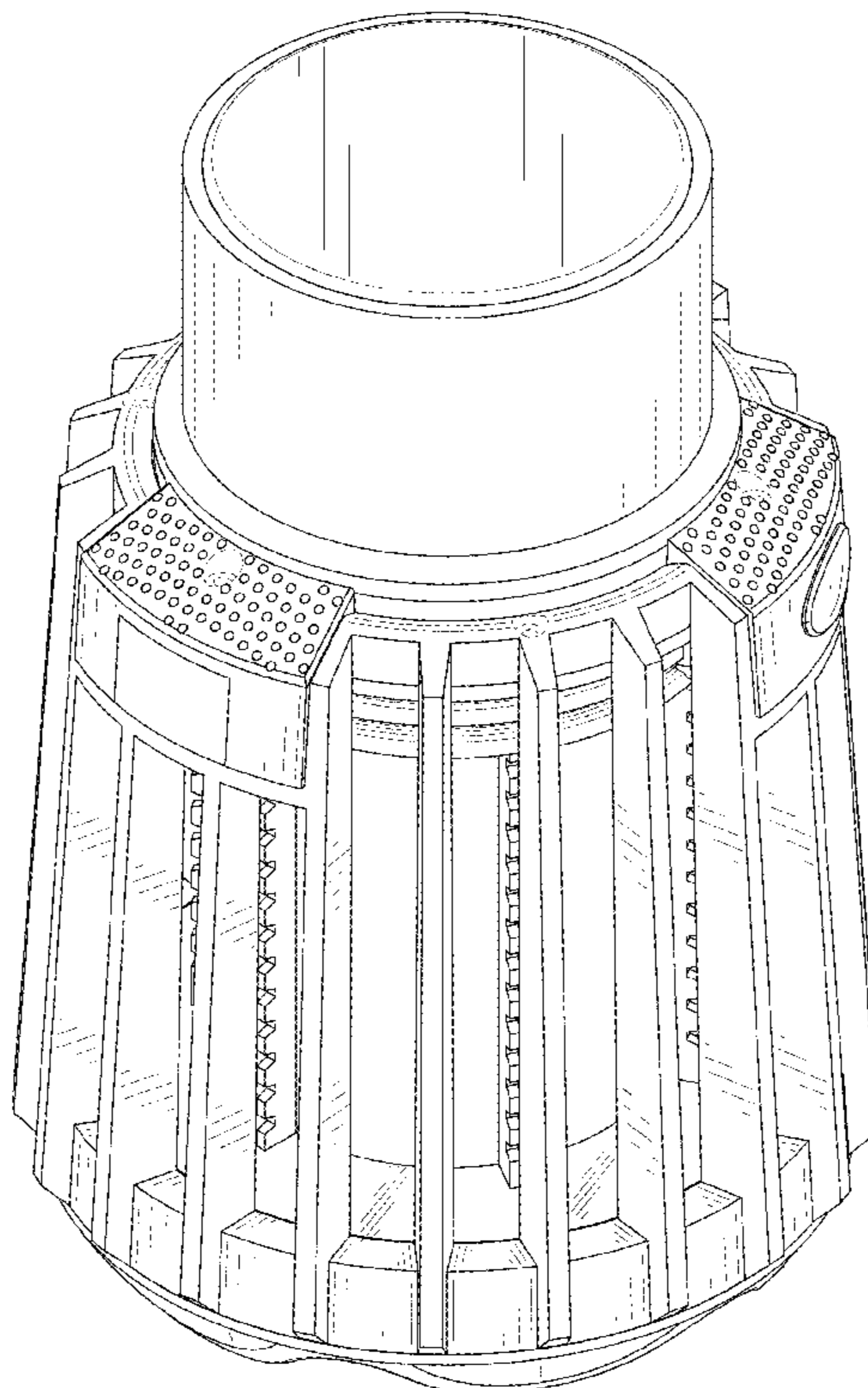
FIG. 1 is a front and top perspective view of a mosquito-killing lamp, showing my new design;  
FIG. 2 is a rear and bottom perspective view thereof;  
FIG. 3 is a front elevational view thereof;  
FIG. 4 is a rear elevational view thereof;  
FIG. 5 is a left side elevational view thereof;  
FIG. 6 is a right side elevational view thereof;  
FIG. 7 is a top plan view thereof; and,  
FIG. 8 is a bottom plan view thereof.  
The broken lines in the figures illustrate portions of the mosquito-killing lamp that form no part of the claimed design.

(56) **References Cited**

U.S. PATENT DOCUMENTS

1,743,665 A \* 1/1930 Frost ..... A01M 1/04 43/112  
RE18,313 E \* 1/1932 Frost ..... A01M 1/04 43/112  
1,952,795 A \* 3/1934 Frost ..... A01M 1/04 43/112  
3,473,251 A \* 10/1969 Kahn ..... A01M 1/223 43/112  
D349,746 S \* 8/1994 DeYoreo ..... D22/119

**1 Claim, 8 Drawing Sheets**



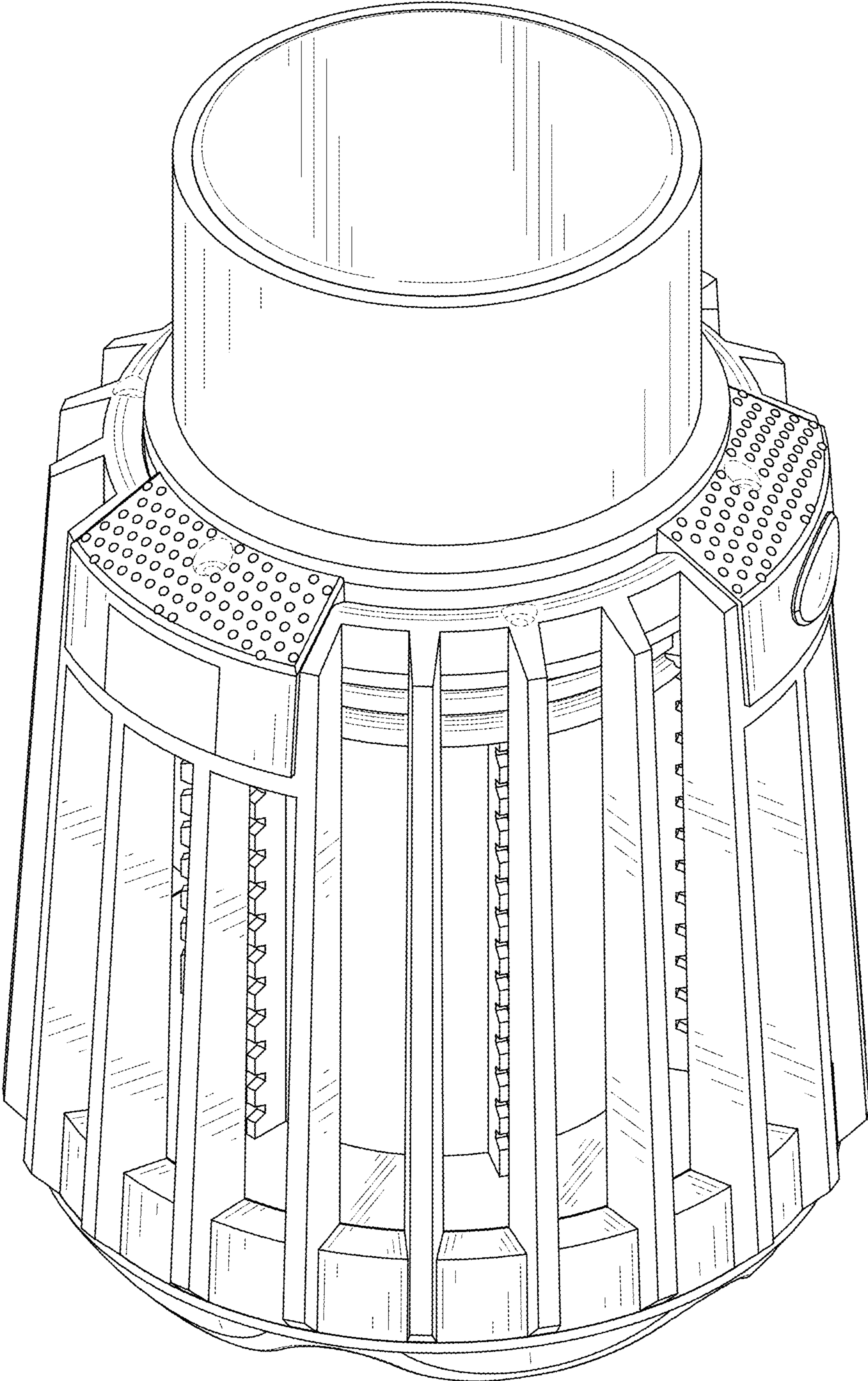


FIG. 1



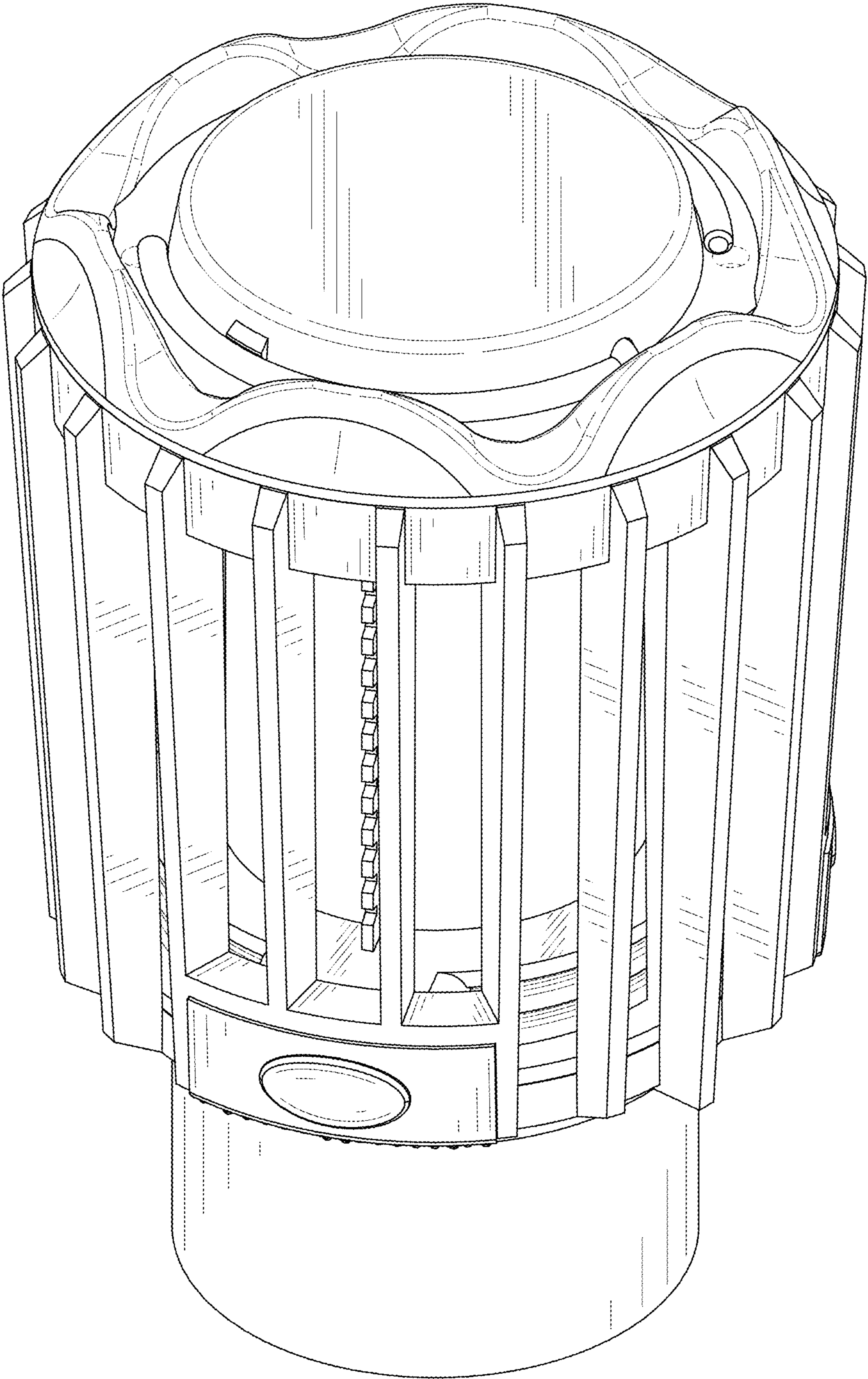


FIG. 2

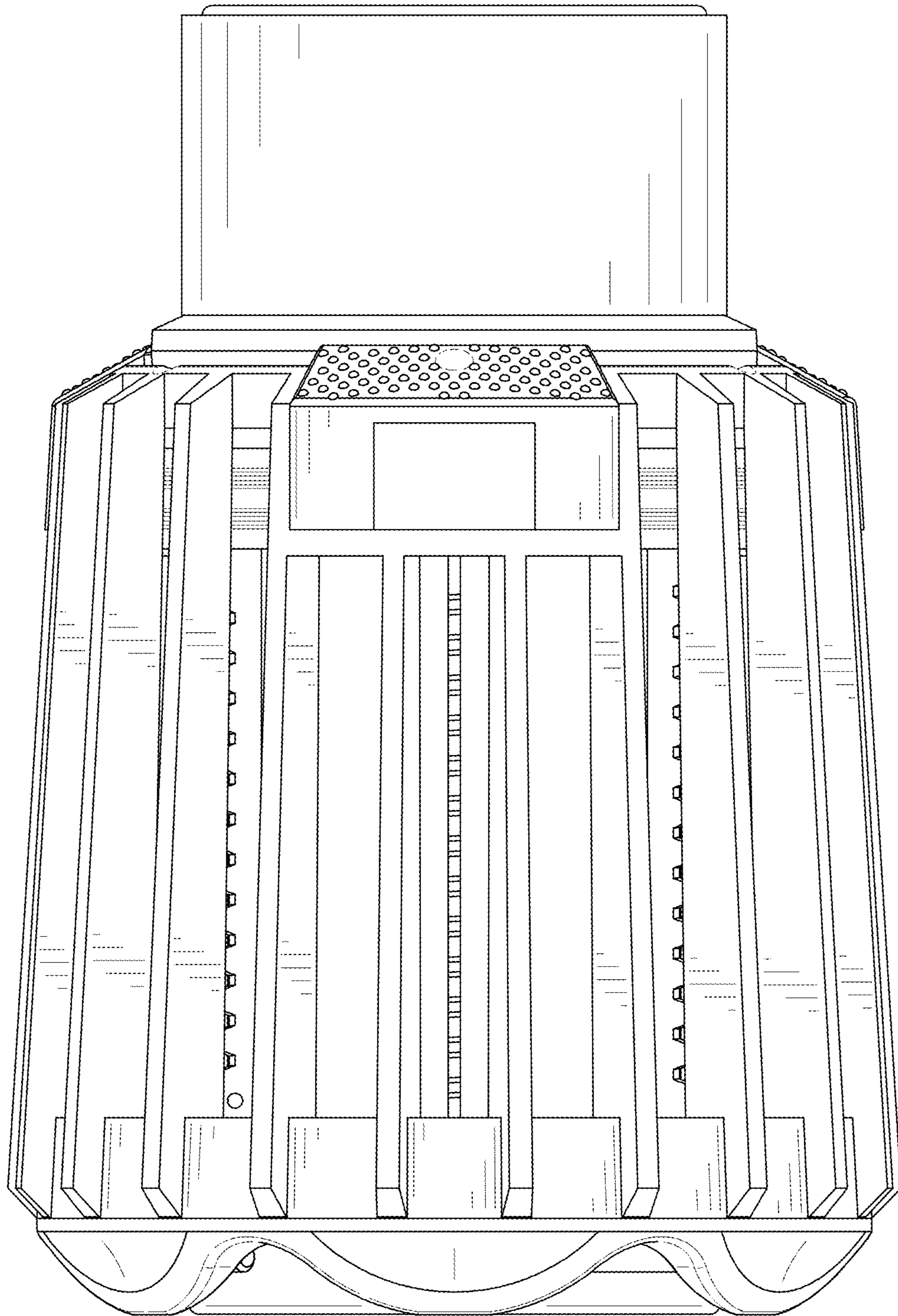


FIG. 3

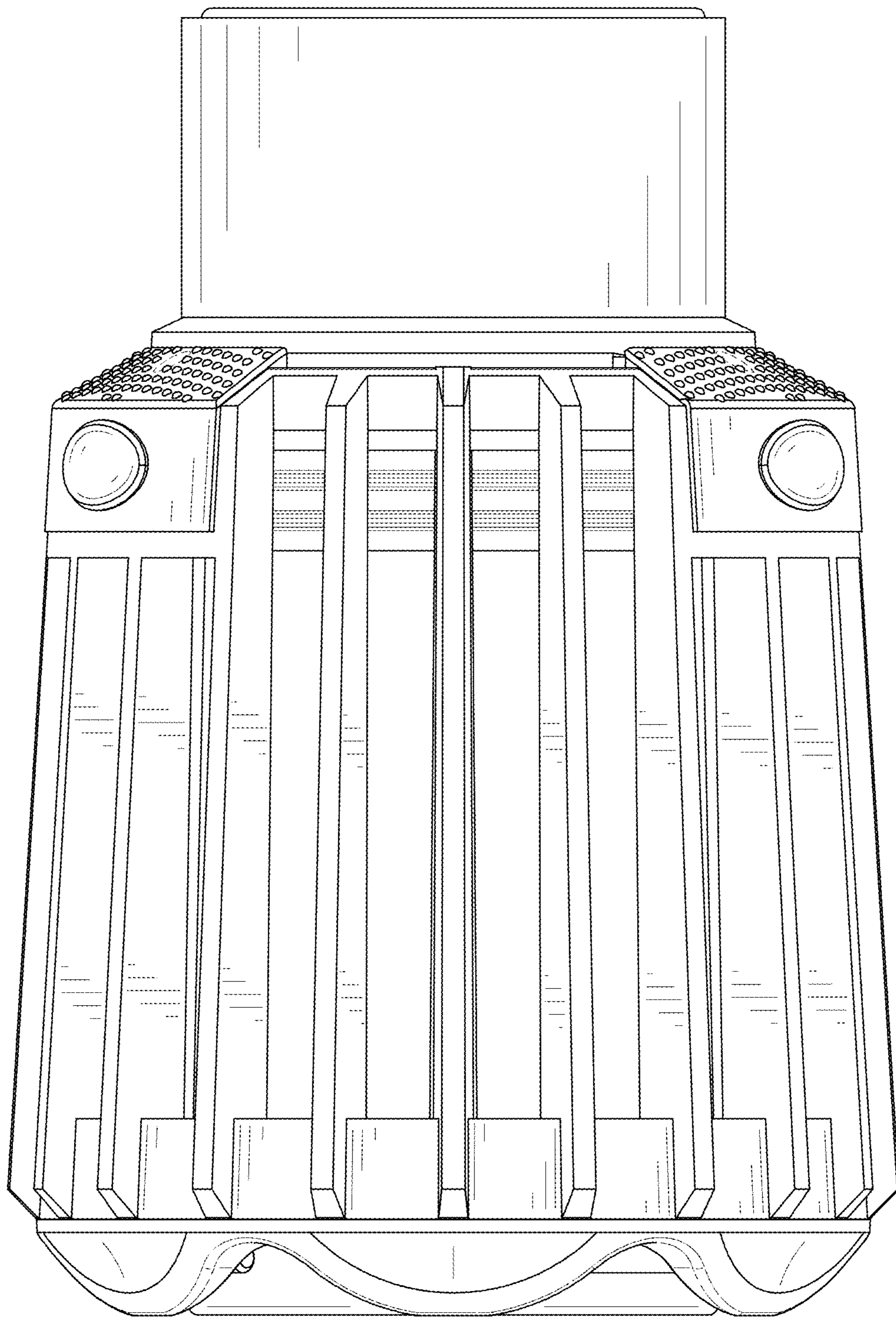


FIG. 4



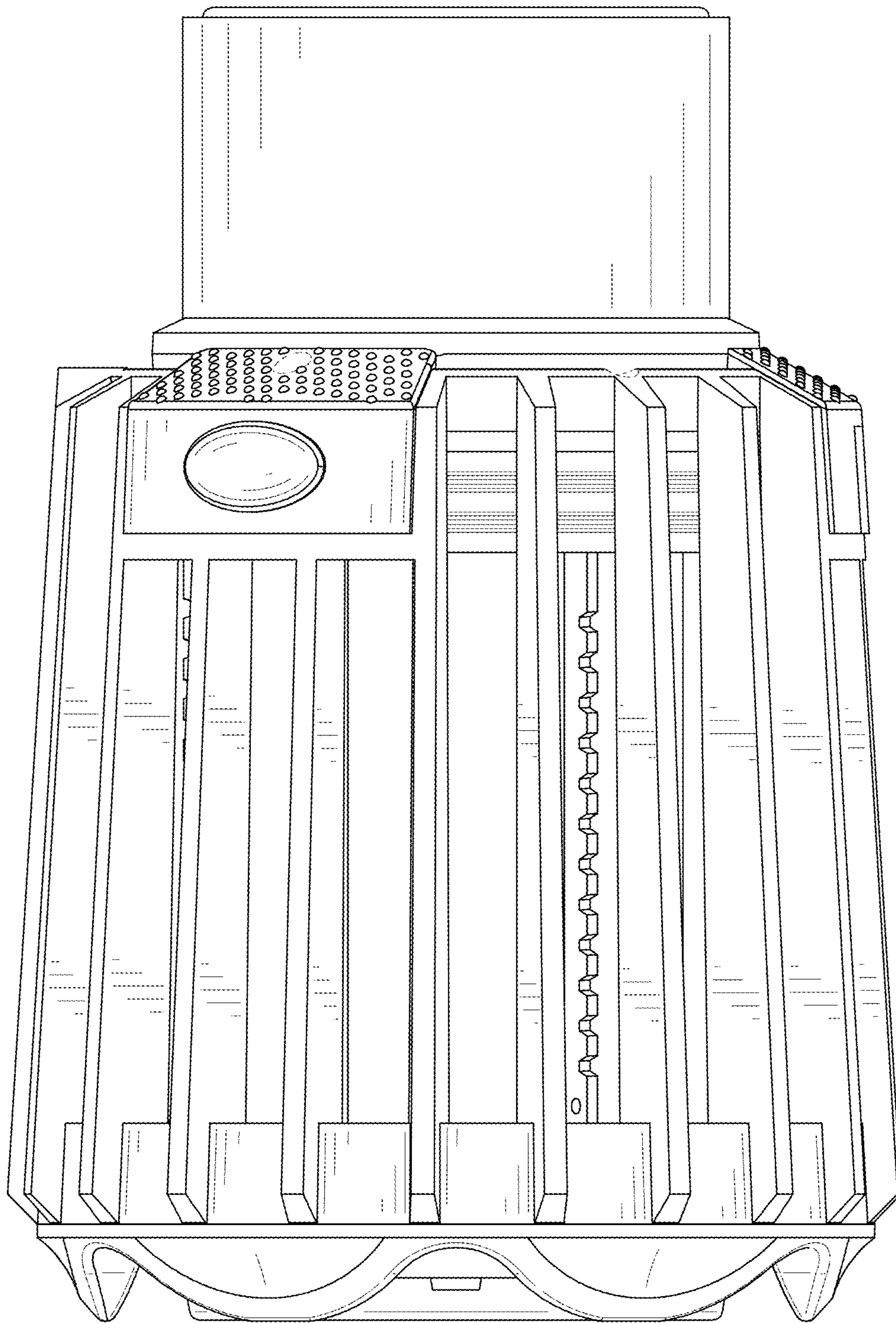


FIG. 5

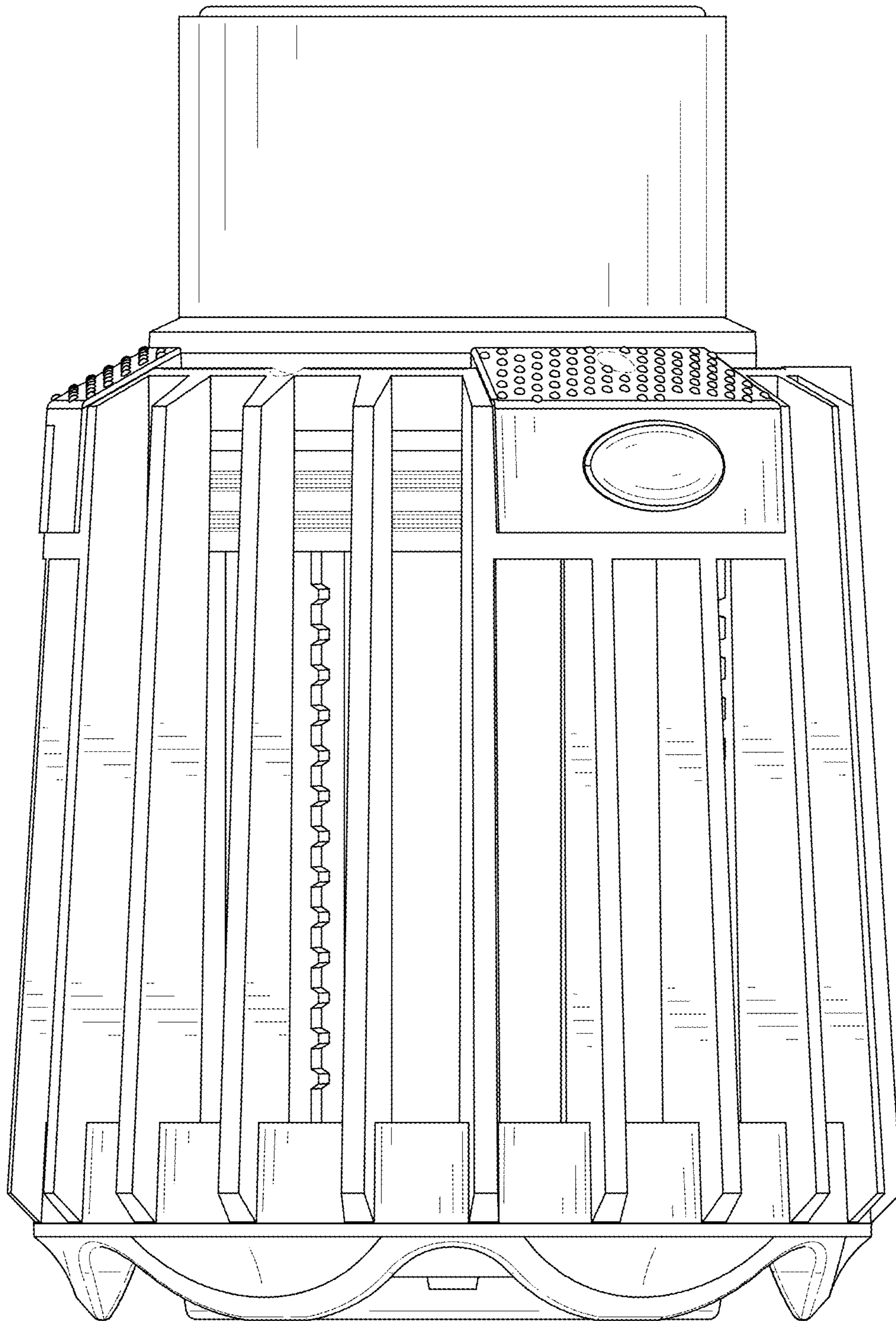


FIG. 6

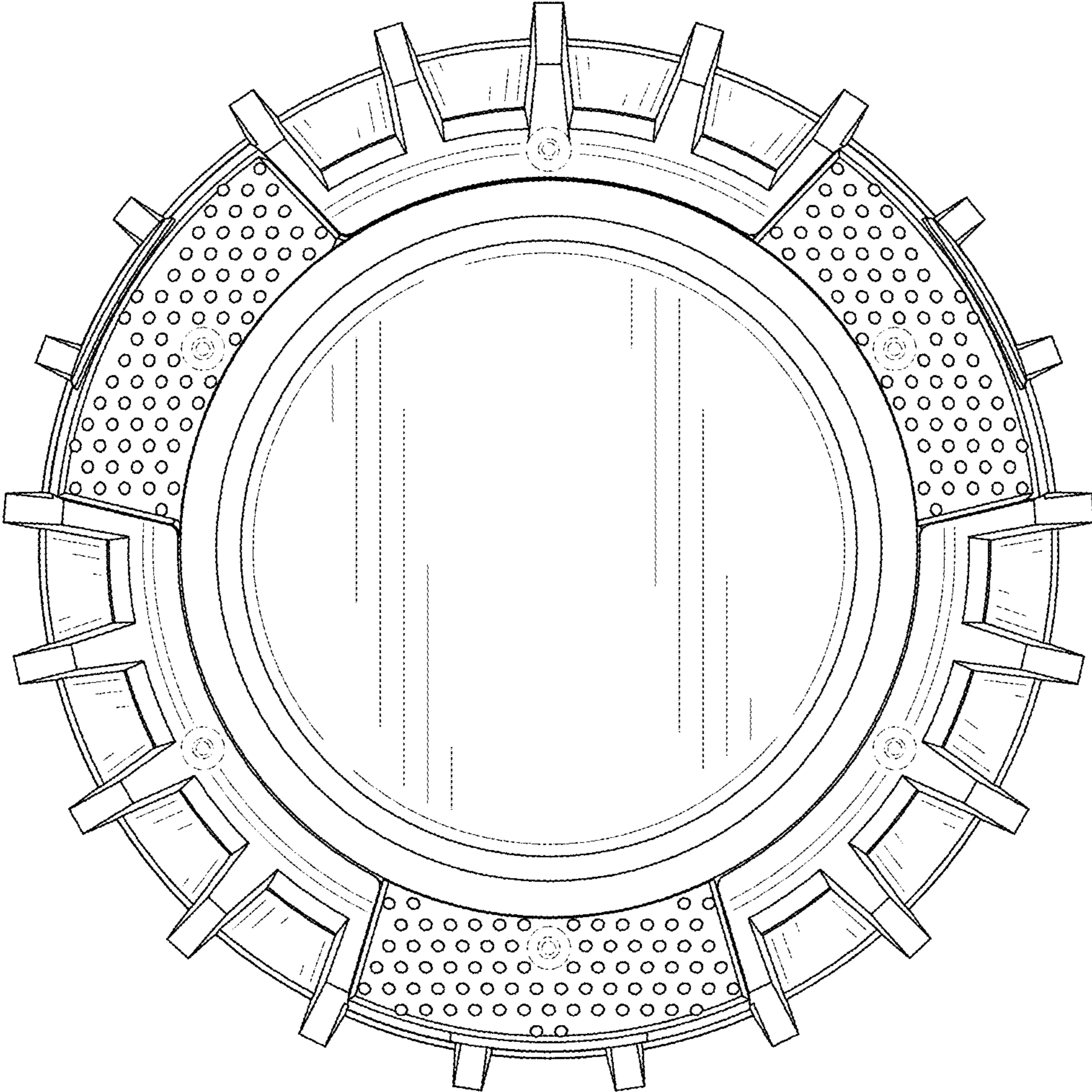


FIG. 7



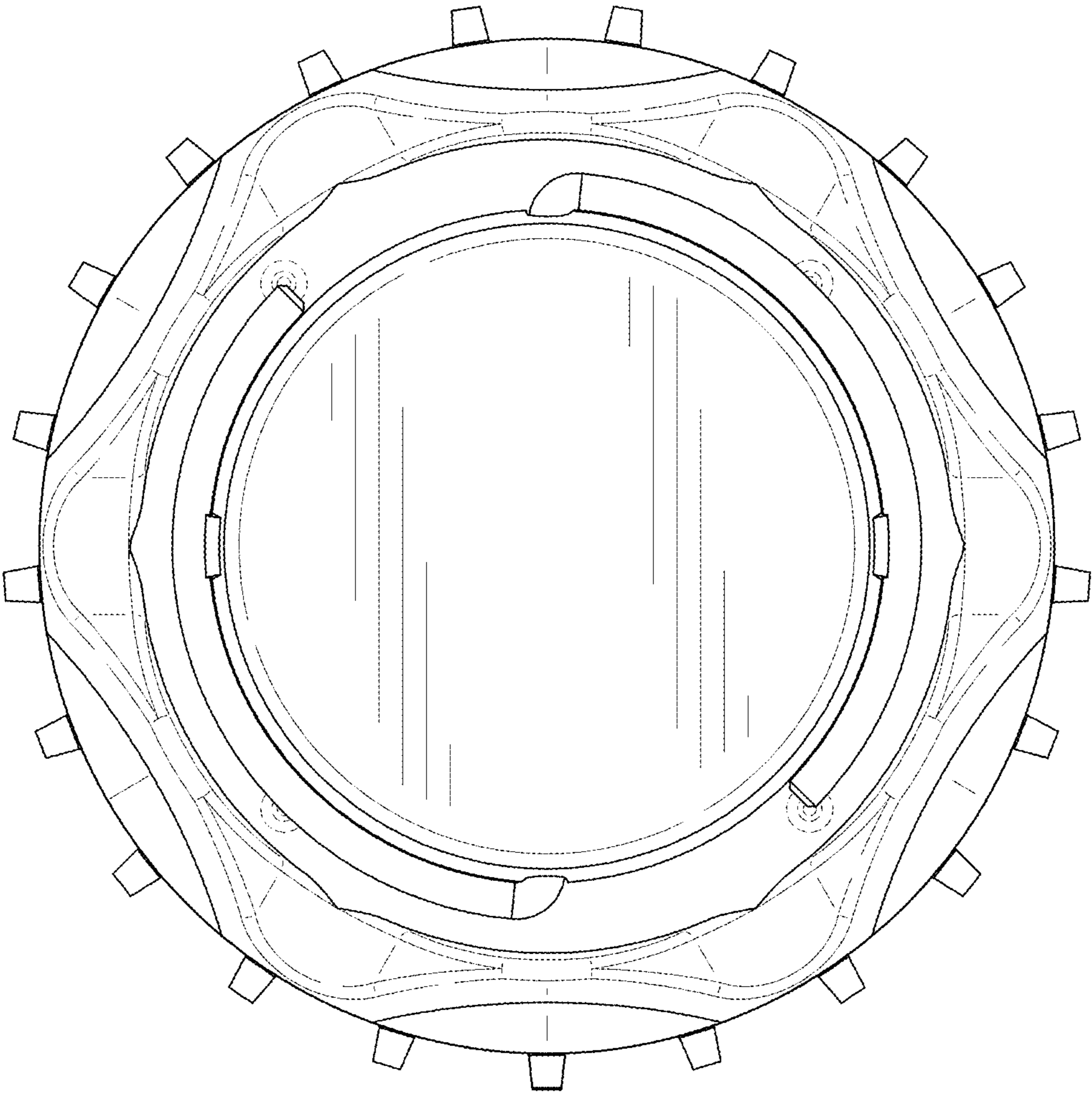


FIG. 8