

US00D879238S

(12) **United States Design Patent**
Gu

(10) **Patent No.:** **US D879,238 S**

(45) **Date of Patent:** **** Mar. 24, 2020**

(54) **PEST REPELLER**

(71) Applicant: **Liujun Gu**, Shenzhen (CN)

(72) Inventor: **Liujun Gu**, Shenzhen (CN)

(**) Term: **15 Years**

(21) Appl. No.: **29/666,878**

(22) Filed: **Oct. 16, 2018**

(51) **LOC (12) Cl.** **22-06**

(52) **U.S. Cl.**

USPC **D22/119**; D22/120

(58) **Field of Classification Search**

USPC D22/119–124; 43/107, 112–114, 121,
43/131, 132.1; D11/4; D10/30–33

CPC A01M 1/02; A01M 1/10; A01M 1/20;
A01M 7/0017; A01M 7/0021; A01M
7/0046; A01M 9/0038; A01M 9/0046;
A45D 34/00; A61M 35/10; A45F
2003/006; A45F 2005/008; A45F
2200/0591; B65D 37/00; A63B 2225/68

See application file for complete search history.

(56) **References Cited**

U.S. PATENT DOCUMENTS

D359,926 S * 7/1995 Plummer D11/4
D702,315 S * 4/2014 Partrat D22/122

D759,516 S * 6/2016 Ling D10/30
D809,088 S * 1/2018 Borovicka D22/122
D869,597 S * 12/2019 Caballero Tapia D22/119

* cited by examiner

Primary Examiner — Catherine R Oliver-Garcia
(74) *Attorney, Agent, or Firm* — Novoclaims Patent
Services LLC; Mei Lin Wong

(57) **CLAIM**

The ornamental design for a pest repeller, as shown and described.

DESCRIPTION

FIG. 1 is a perspective view of a pest repeller, showing my new design.

FIG. 2 is a rear perspective view thereof;

FIG. 3 is a front view thereof;

FIG. 4 is a rear view thereof;

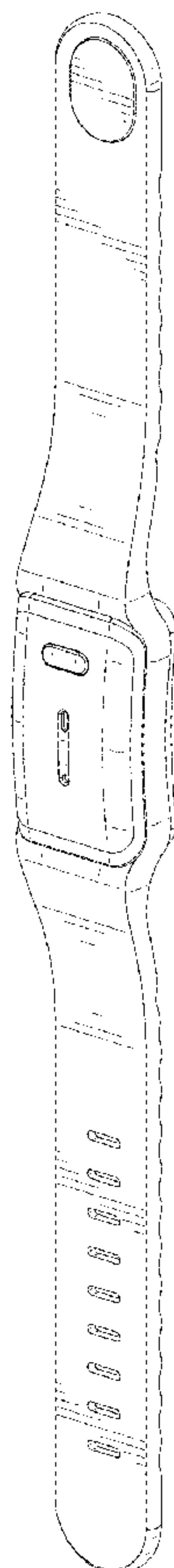
FIG. 5 is a left side view thereof;

FIG. 6 is a right side view thereof;

FIG. 7 is a top view thereof; and,

FIG. 8 is a bottom view thereof.

1 Claim, 7 Drawing Sheets



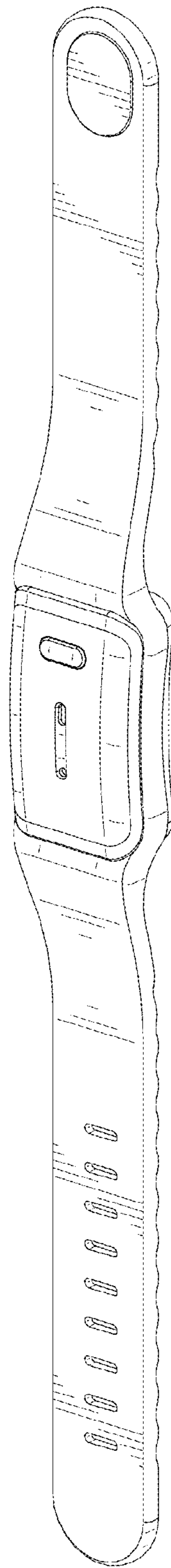


FIG.1

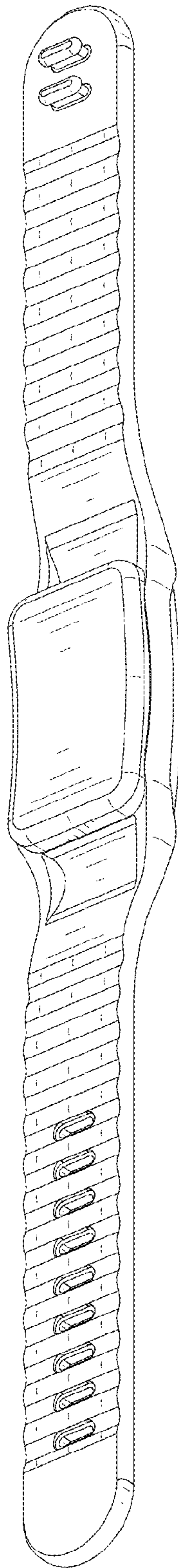


FIG.2

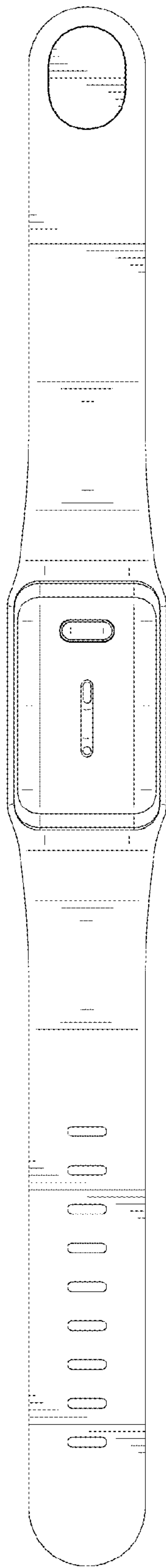


FIG.3

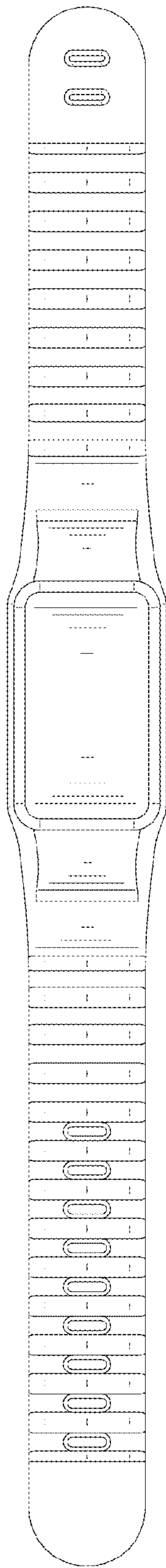


FIG.4

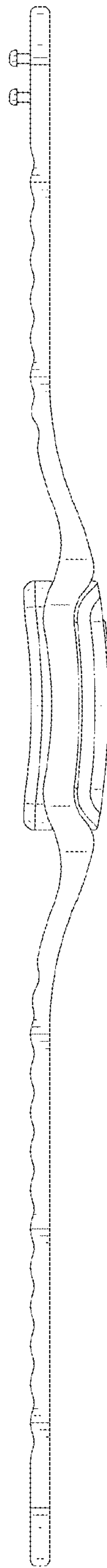


FIG.5

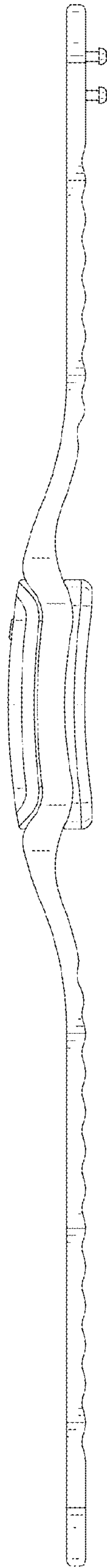


FIG.6

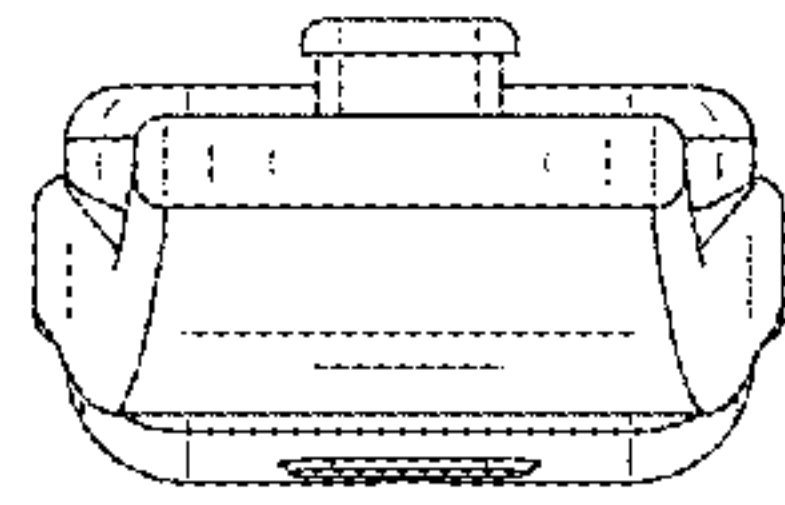


FIG.7

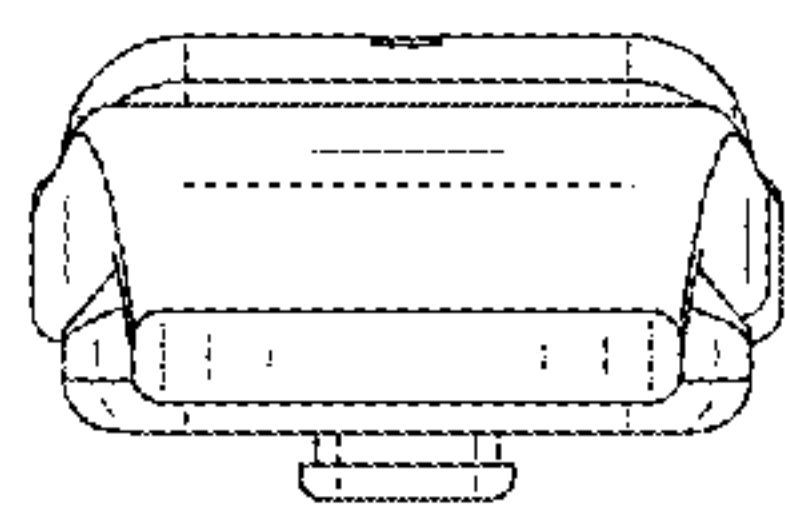


FIG.8