

US00D879237S

(12) **United States Design Patent**  
**Onruang**

(10) **Patent No.:** **US D879,237 S**

(45) **Date of Patent:** **\*\* Mar. 24, 2020**

(54) **ELECTRICAL WEAPON**  
(71) Applicant: **Intelligent Design Solutions Company Limited**, Bangkok (TH)  
(72) Inventor: **Peter Onruang**, Pasadena, CA (US)  
(73) Assignee: **Intelligent Design Solutions Company Limited**, Bangkok (TH)

(\*\*) Term: **15 Years**

(21) Appl. No.: **29/676,425**

(22) Filed: **Jan. 10, 2019**

(51) **LOC (12) Cl.** ..... **22-02**

(52) **U.S. Cl.**  
USPC ..... **D22/117**

(58) **Field of Classification Search**  
USPC ..... D22/117-120; 222/182, 325, 402.1, 222/402.11, 1.08, 1.09, 89.1; 361/232; 42/1.08  
CPC ..... F41A 3/66; F41B 15/04; F41B 9/0087; F41H 13/0087; F41H 9/00; F41H 5/24; F41H 9/10; F41H 13/0012; F41H 13/0025; G08B 21/02; H05C 1/00; A47G 19/24

See application file for complete search history.

(56) **References Cited**

**U.S. PATENT DOCUMENTS**

4,843,336 A \* 6/1989 Kuo ..... F41B 15/04 340/321  
5,103,366 A \* 4/1992 Battochi ..... F41H 13/0037 361/232  
7,900,388 B2 \* 3/2011 Brundula ..... F41H 13/0087 42/1.08

7,944,676 B2 \* 5/2011 Smith ..... F41H 13/0018 361/232  
D688,769 S \* 8/2013 Lord ..... D22/117  
9,025,304 B2 \* 5/2015 Brundula ..... F41H 5/24 361/232  
10,024,636 B2 \* 7/2018 Nerheim ..... F41H 13/0025  
D850,570 S \* 6/2019 Cerovic ..... D22/117  
10,309,753 B2 \* 6/2019 Forsythe ..... B05B 9/0861  
10,359,259 B2 \* 7/2019 Zimmerman ..... F41A 3/66  
D867,515 S \* 11/2019 Cerovic ..... D22/117  
2007/0070574 A1 \* 3/2007 Nerheim ..... F41A 17/063 361/232  
2014/0098453 A1 \* 4/2014 Brundula ..... F41H 5/24 361/232  
2017/0241752 A1 \* 8/2017 Nerheim ..... F41H 13/0025

\* cited by examiner

*Primary Examiner* — Catherine R Oliver-Garcia  
(74) *Attorney, Agent, or Firm* — R. Lynette Wylie; Apex Juris, PLLC

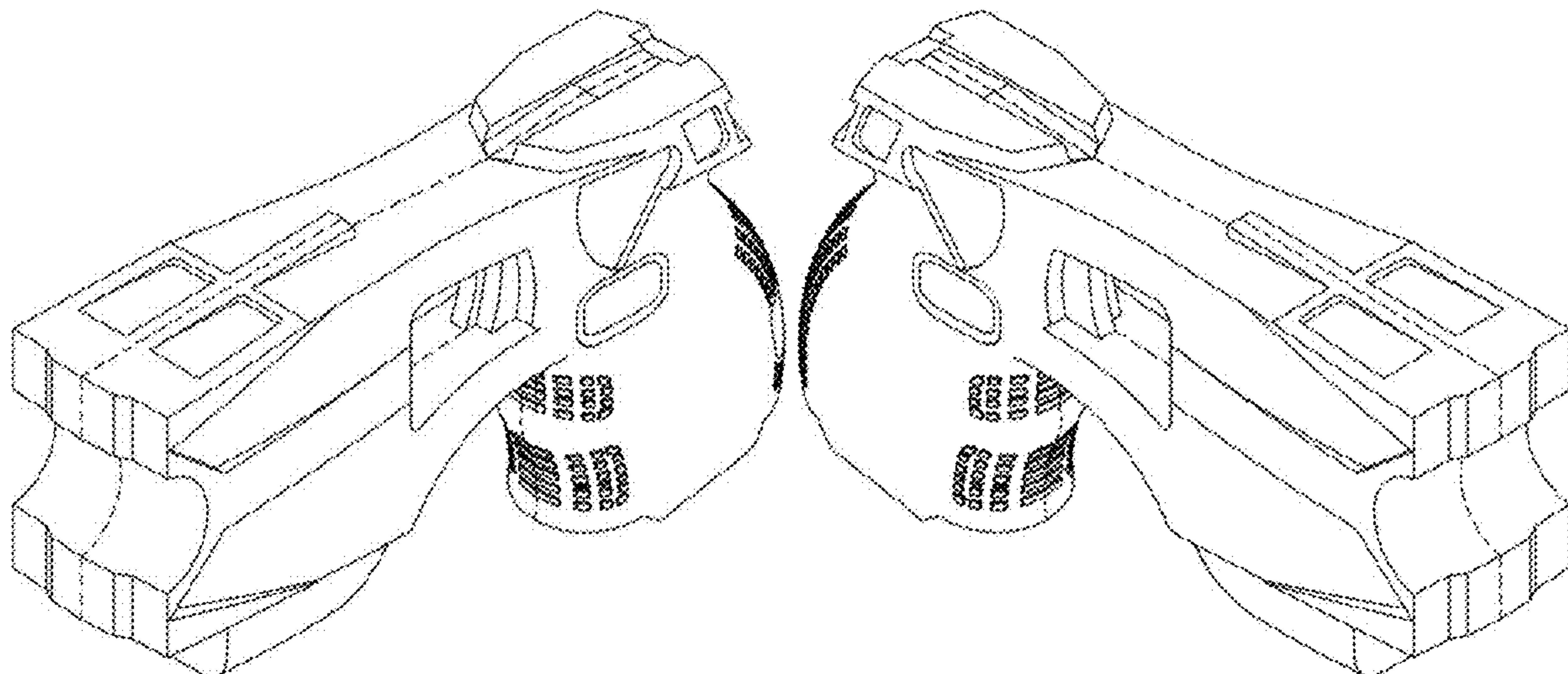
(57) **CLAIM**

The ornamental design for an electrical weapon, as shown and described.

**DESCRIPTION**

FIG. 1 is a left side perspective view of the electrical weapon showing the new design;  
FIG. 2 is a right side perspective view thereof;  
FIG. 3 is a left side elevation view thereof;  
FIG. 4 is a right side elevation view thereof;  
FIG. 5 is a front elevation view thereof;  
FIG. 6 is a rear elevation view thereof;  
FIG. 7 is a top plan view thereof; and,  
FIG. 8 is a bottom plan view thereof.

**1 Claim, 4 Drawing Sheets**



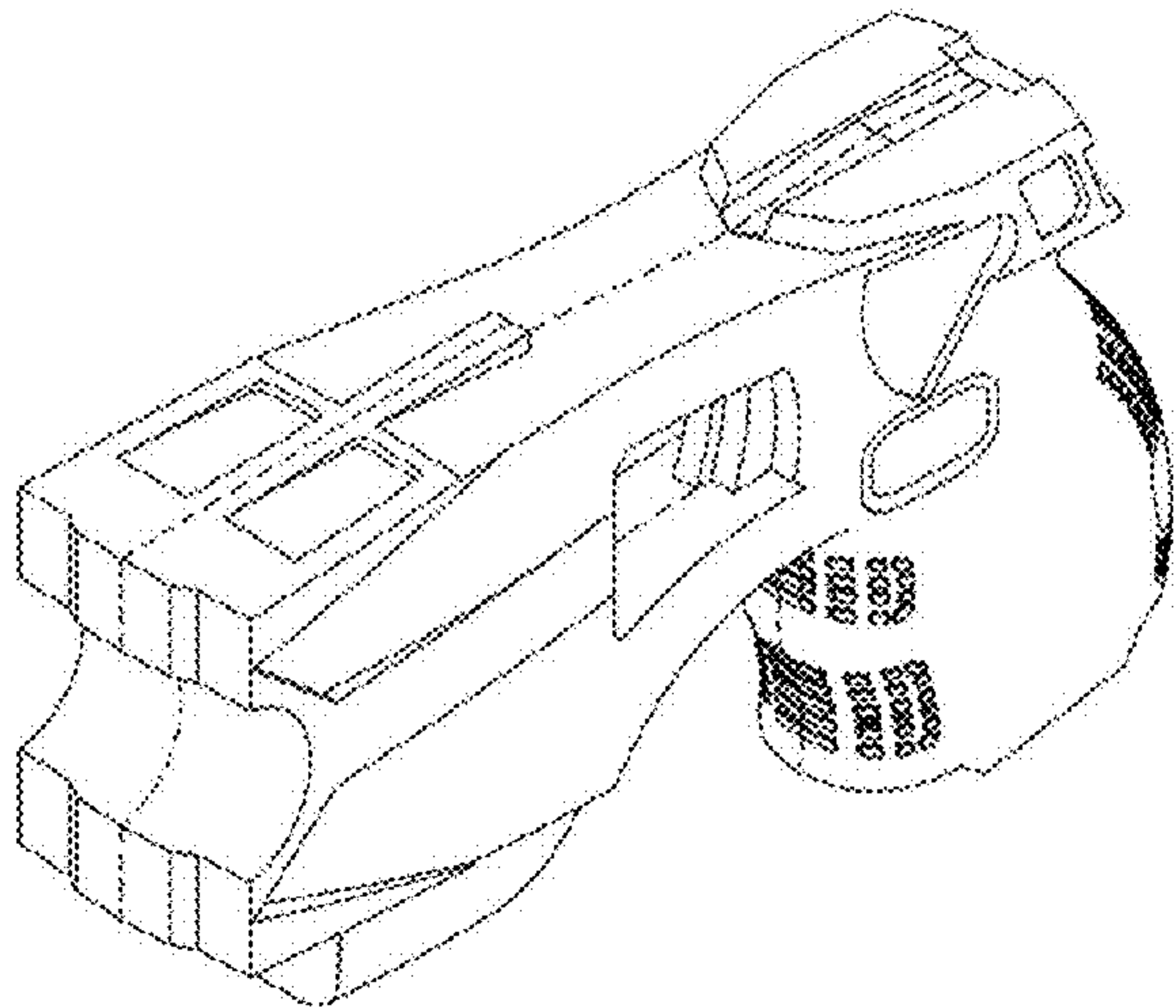


Fig. 1

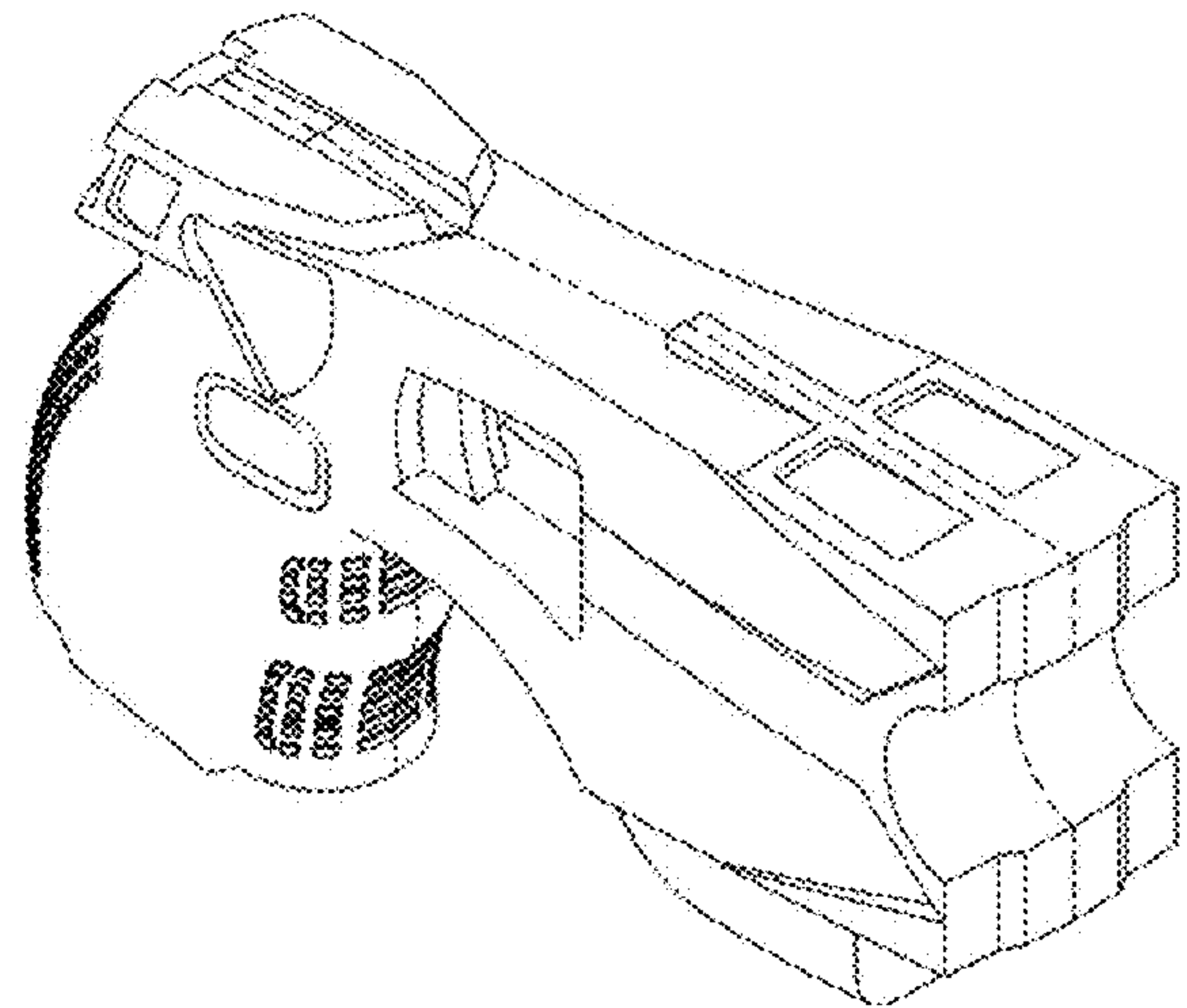


Fig. 2

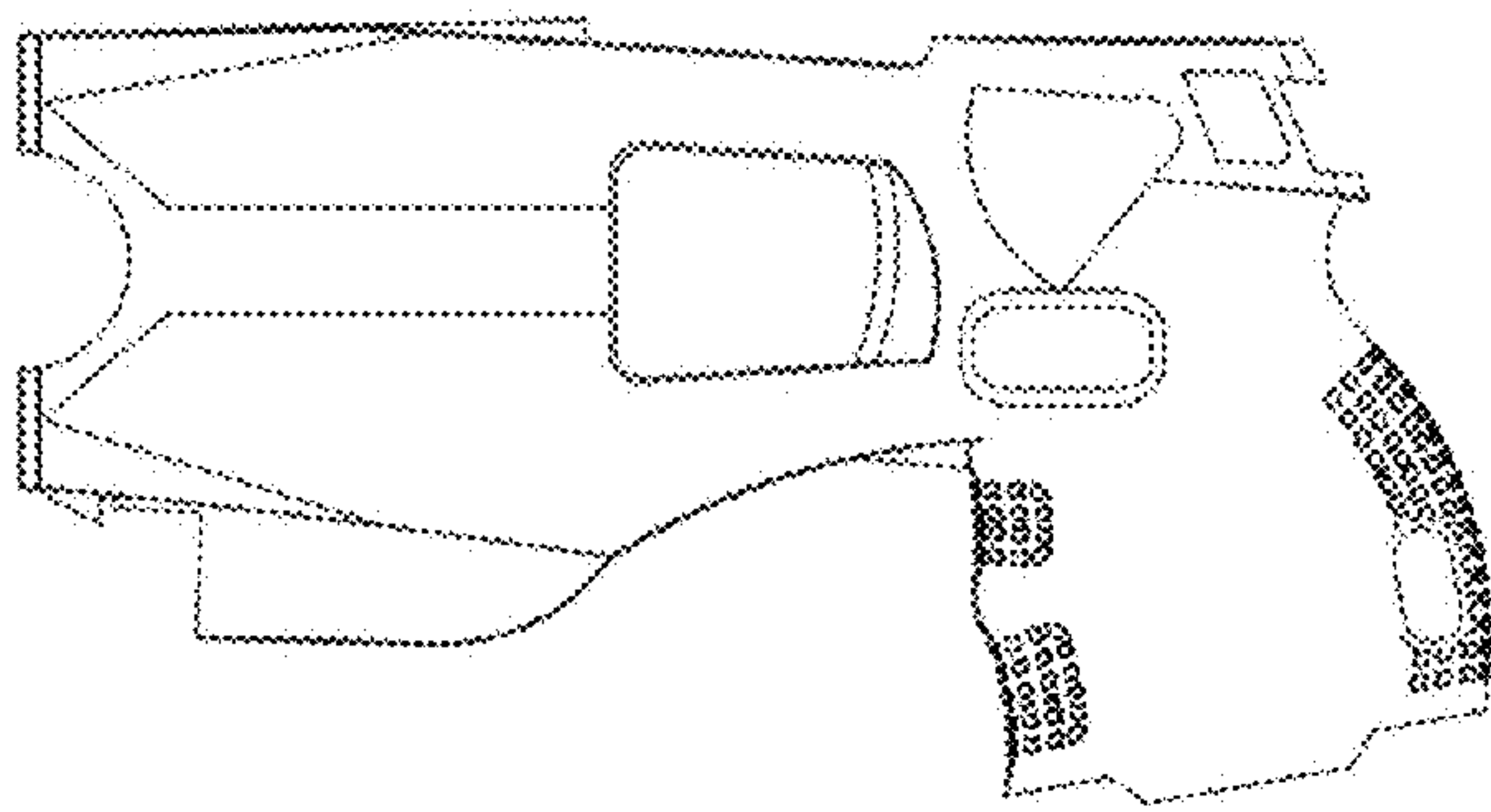


Fig. 3

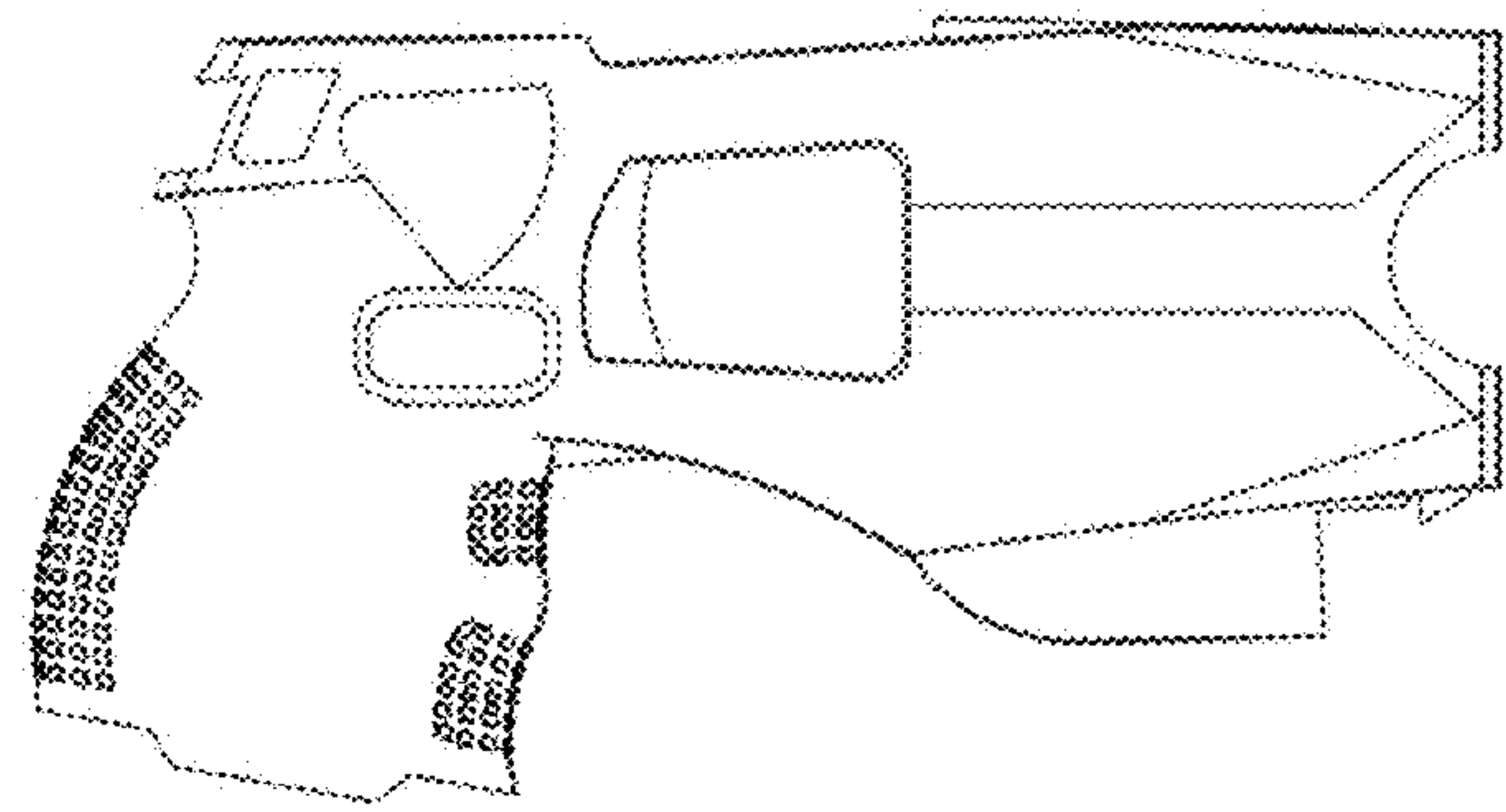


Fig. 4

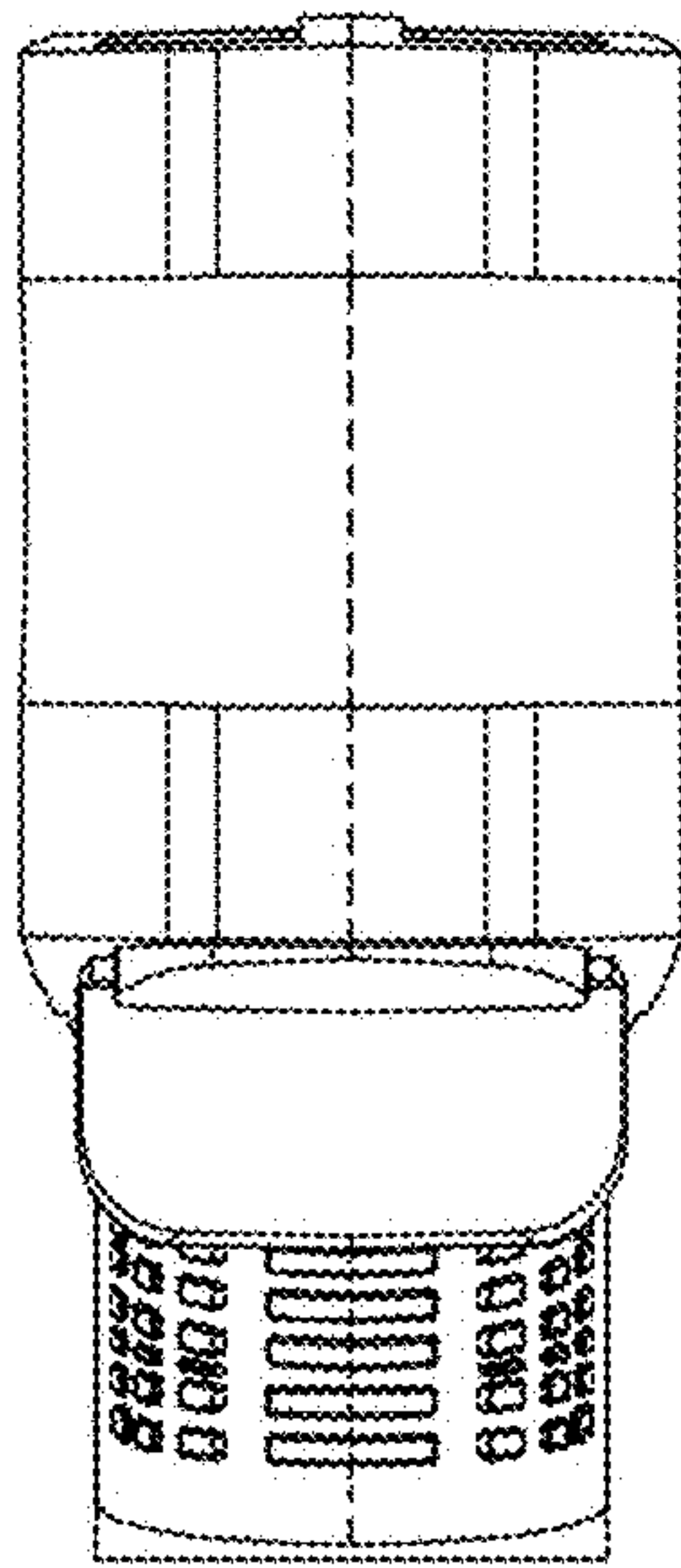


Fig. 5

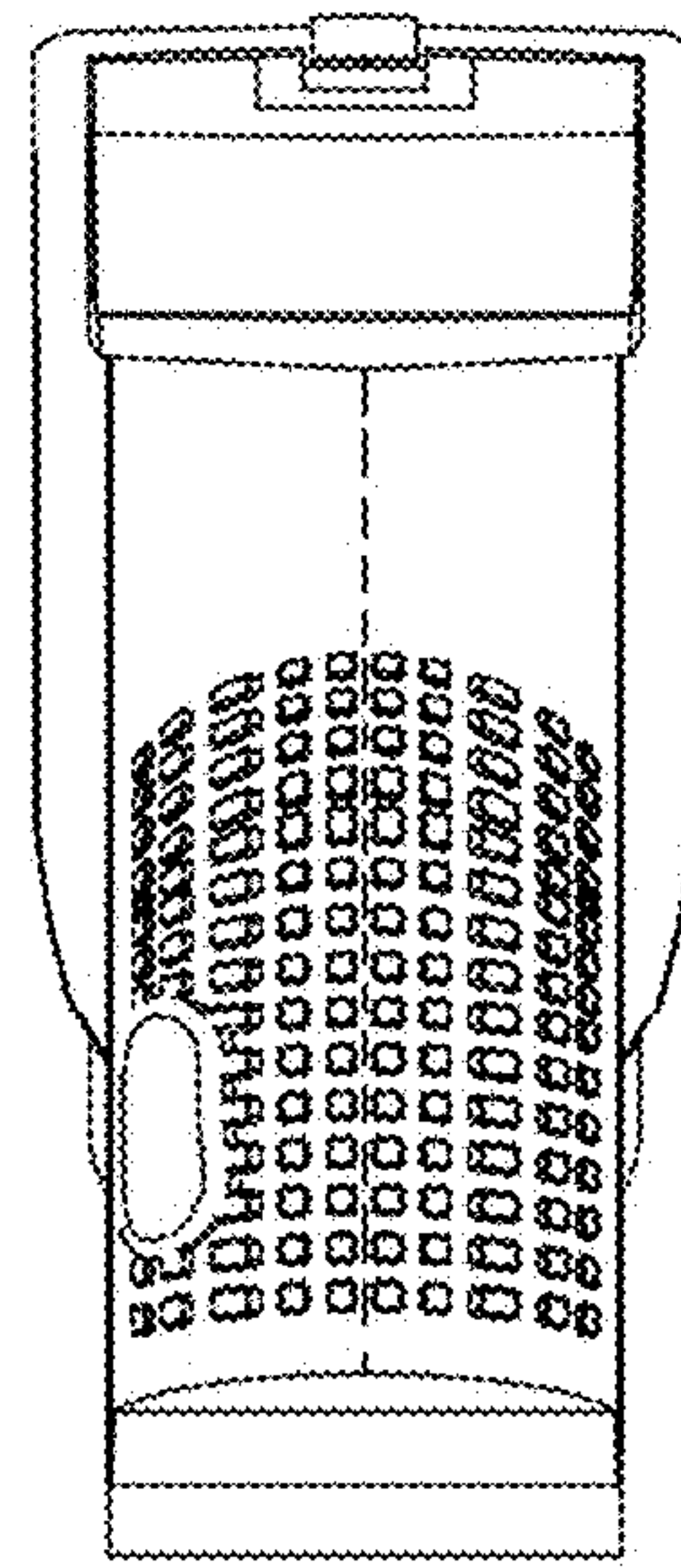


Fig. 6



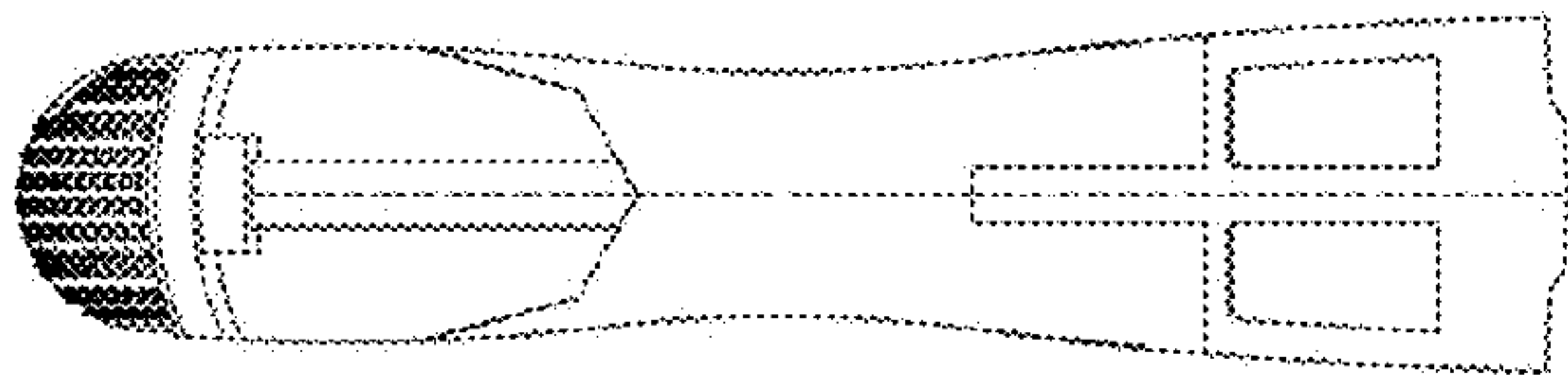


Fig. 7

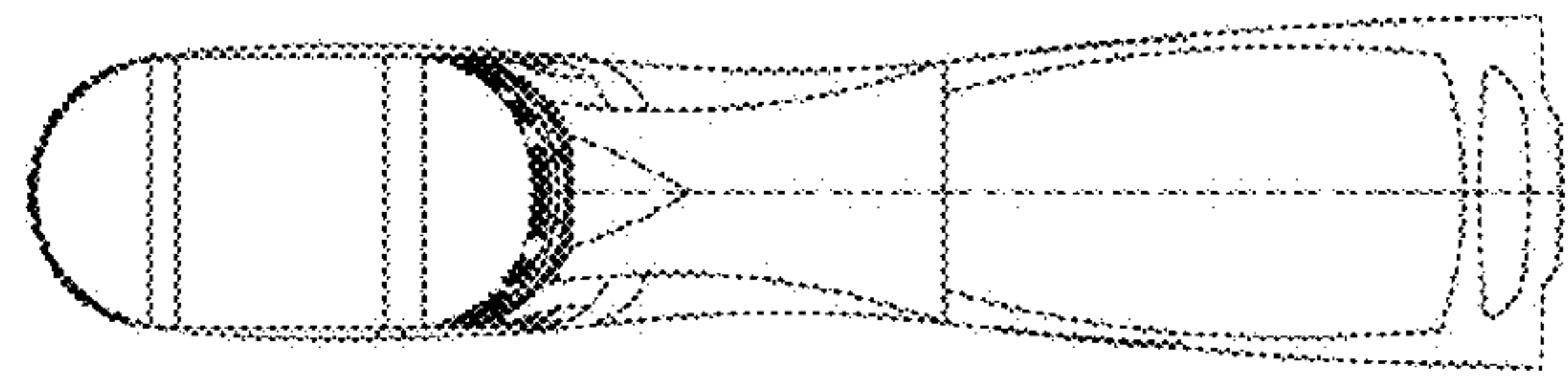


Fig. 8