



US00D879236S

(12) **United States Design Patent**
Arshad

(10) **Patent No.:** **US D879,236 S**

(45) **Date of Patent:** **** Mar. 24, 2020**

(54) **STUN GUN**

(71) Applicant: **Muhammad Izhar Arshad**, Commerce,
CA (US)

(72) Inventor: **Muhammad Izhar Arshad**, Commerce,
CA (US)

(**) Term: **15 Years**

(21) Appl. No.: **29/676,255**

(22) Filed: **Jan. 9, 2019**

(51) **LOC (12) Cl.** **22-02**

(52) **U.S. Cl.**
USPC **D22/117**

(58) **Field of Classification Search**
USPC D22/117; 222/1, 23, 39, 182, 325, 402.1,
222/402.11, 1.08, 1.09, 89.1, 175, 153.11,
222/533, 78-79, 402.13; 361/232;
D10/106.1; 224/197; 220/830; 42/1.08,
42/1.09, 1.12; 89/1.1
CPC .. A47G 19/24; F41H 5/24; F41H 9/00; F41H
9/10; F41H 13/0012; F41H 13/0025;
F41H 15/04; G08B 21/02; F41B 9/0087;
H05C 1/00; B65D 83/384; B65D 83/388;
B65D 83/205
See application file for complete search history.

(56) **References Cited**

U.S. PATENT DOCUMENTS

D226,908 S * 5/1973 Tadlock D22/117
4,843,336 A * 6/1989 Kuo G08B 21/0297
D22/117

D585,520 S * 1/2009 Teig D22/117
D688,769 S * 8/2013 Lord D22/117
8,985,397 B2 * 3/2015 Lord F41H 9/10
222/182
D805,157 S * 12/2017 Pennington D22/117

* cited by examiner

Primary Examiner — Catherine R Oliver-Garcia
(74) *Attorney, Agent, or Firm* — The Rapacke Law
Group, P.A.

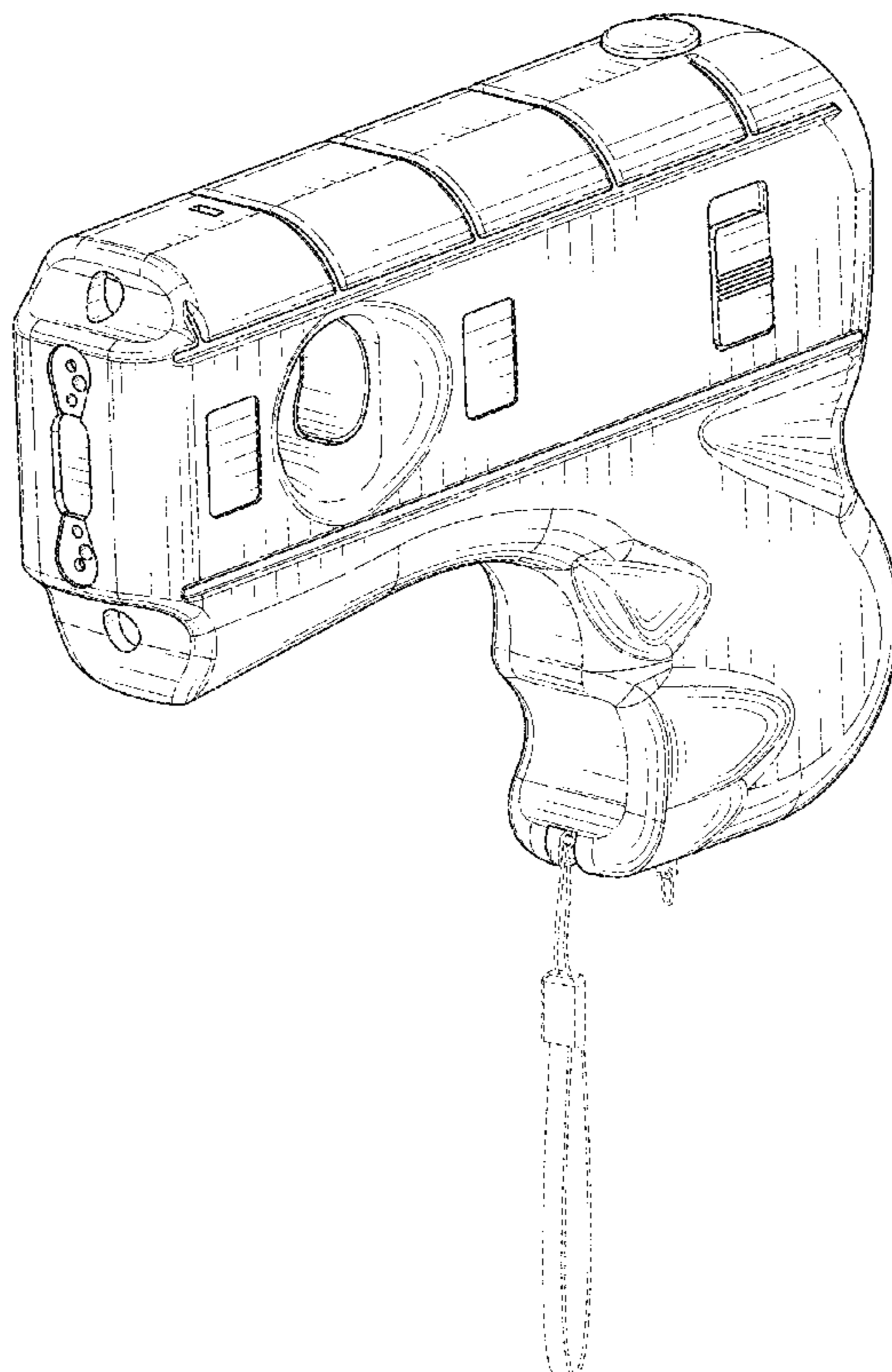
(57) **CLAIM**

The ornamental design for a stun gun, as shown and described.

DESCRIPTION

FIG. 1 is a top perspective view of the stun gun showing the new design;
FIG. 2 is a left side elevational view of the stun gun thereof;
FIG. 3 is a right side elevational view of the stun gun thereof;
FIG. 4 is a front elevational view of the stun gun thereof;
FIG. 5 is a rear elevational view of the stun gun thereof;
FIG. 6 is a top plan view of the stun gun thereof; and,
FIG. 7 is a bottom plan view of the stun gun thereof.
The broken lines in the drawings illustrate environmental subject matter and form no part of the claimed design.

1 Claim, 5 Drawing Sheets



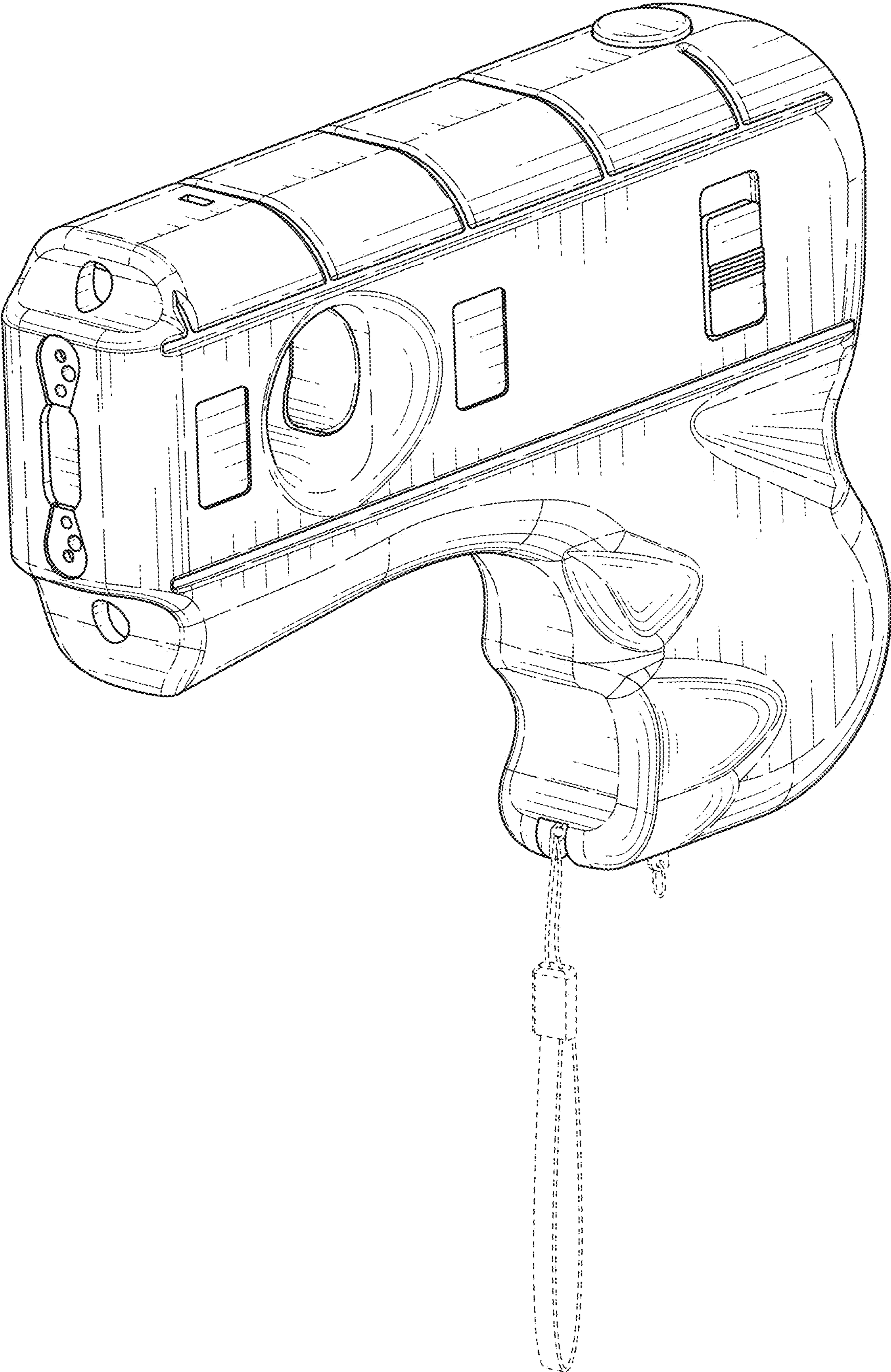


FIG. 1

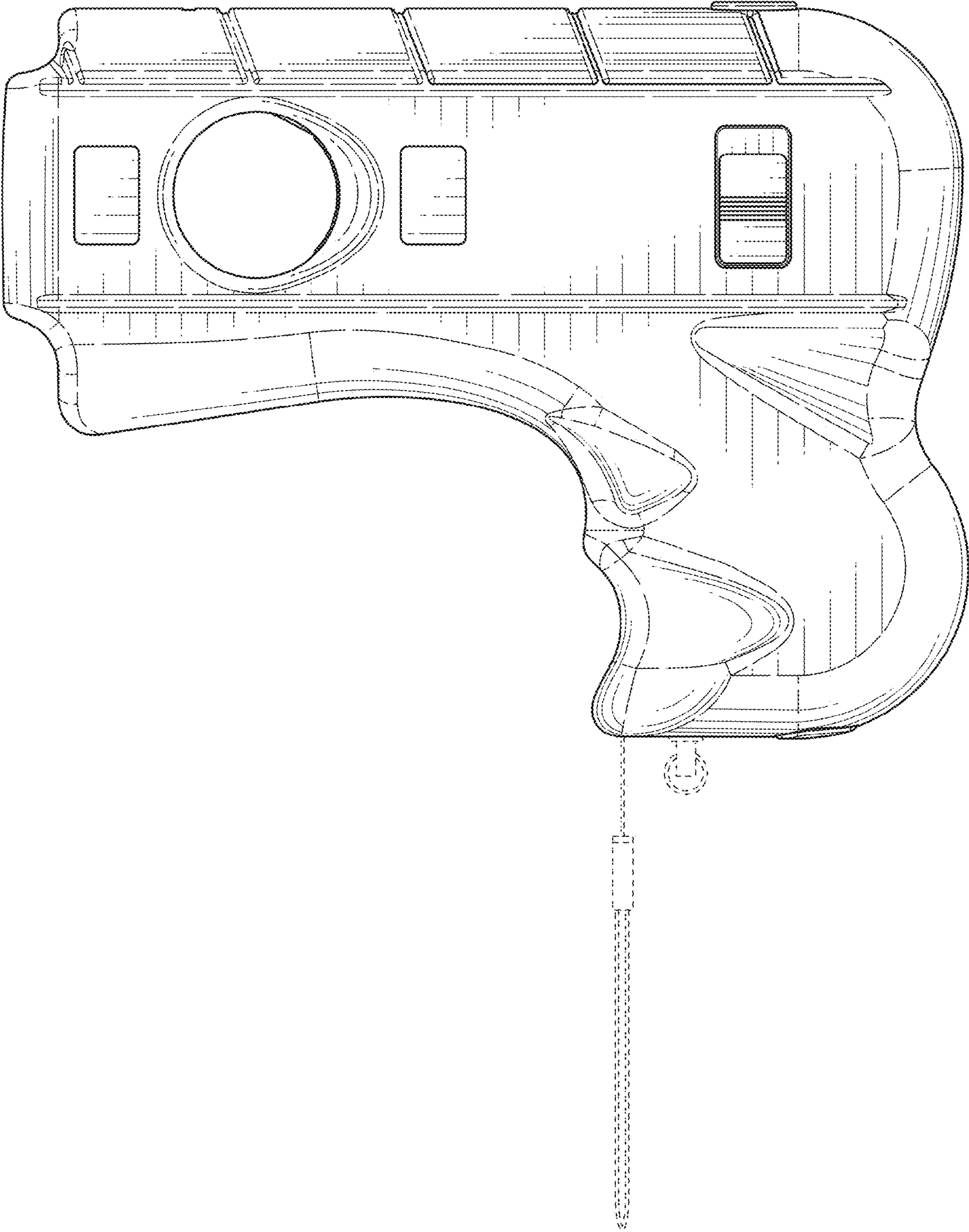


FIG. 2

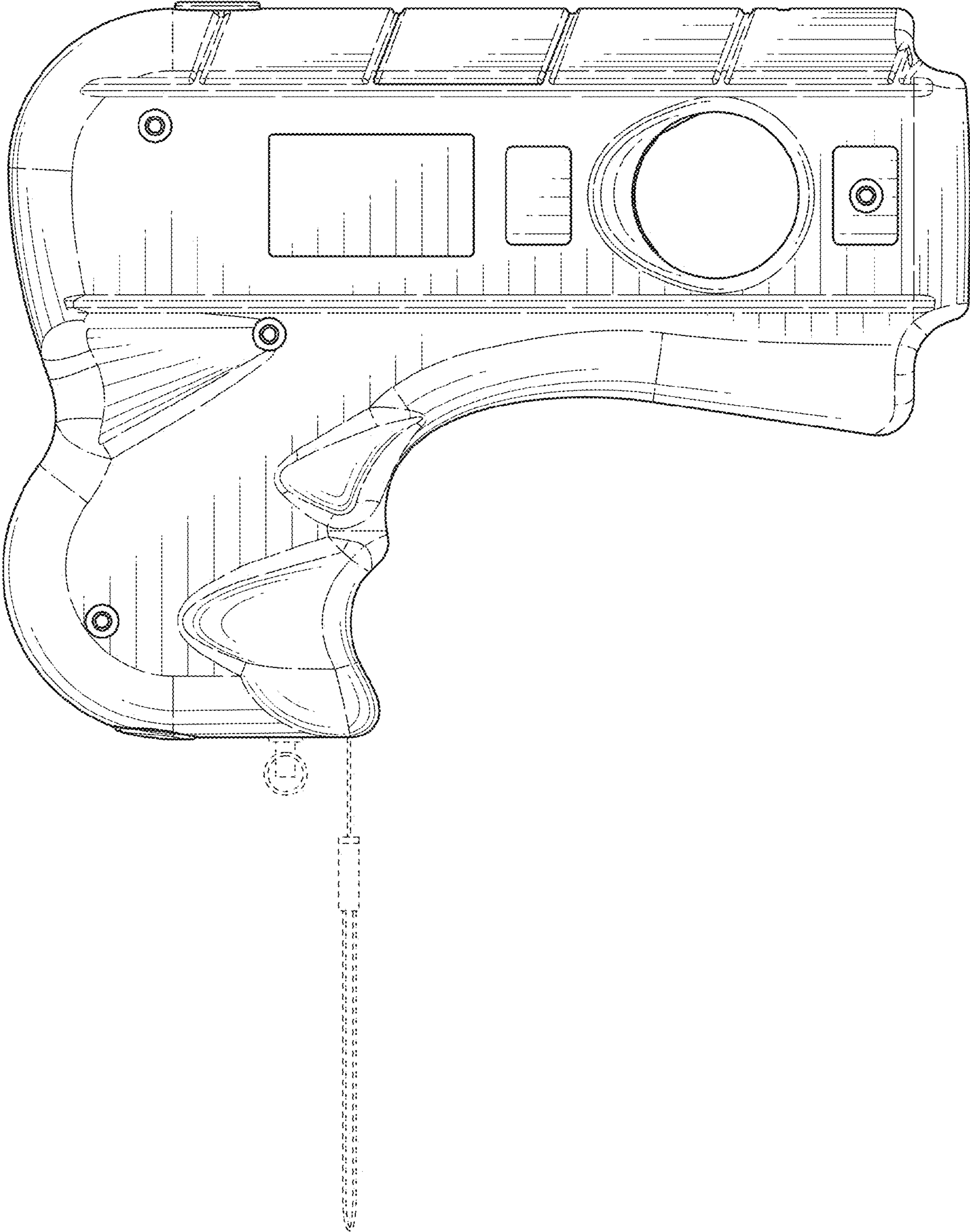


FIG. 3

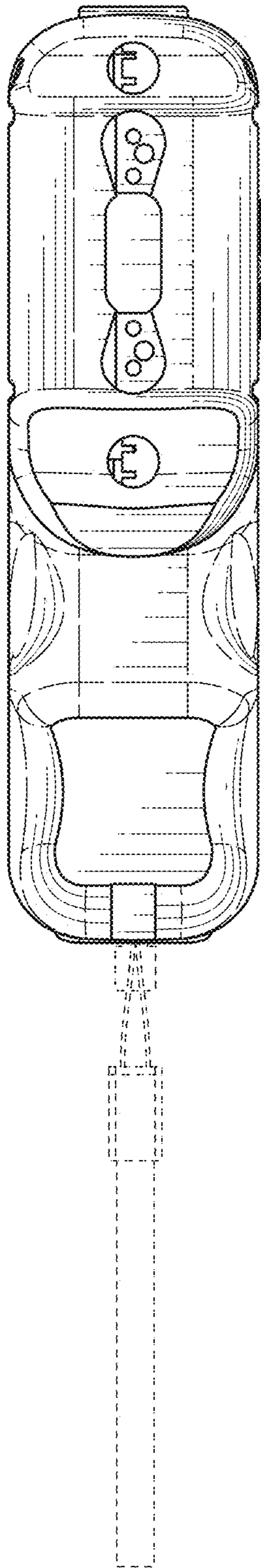


FIG. 4

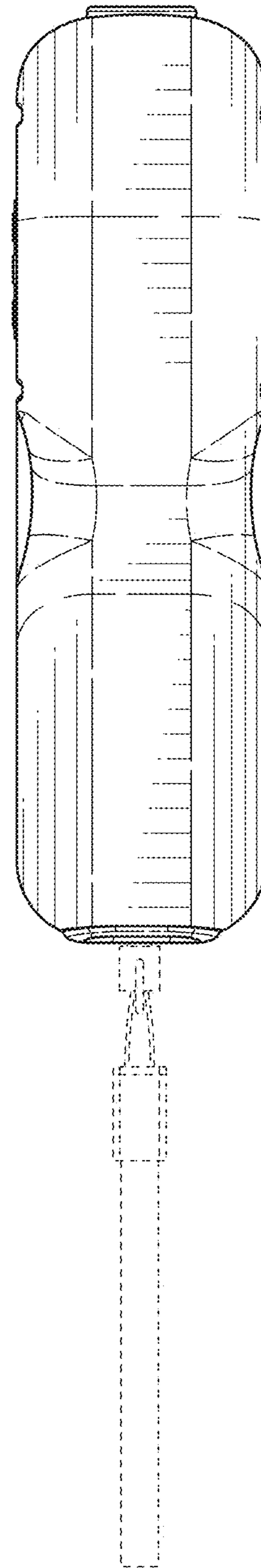


FIG. 5

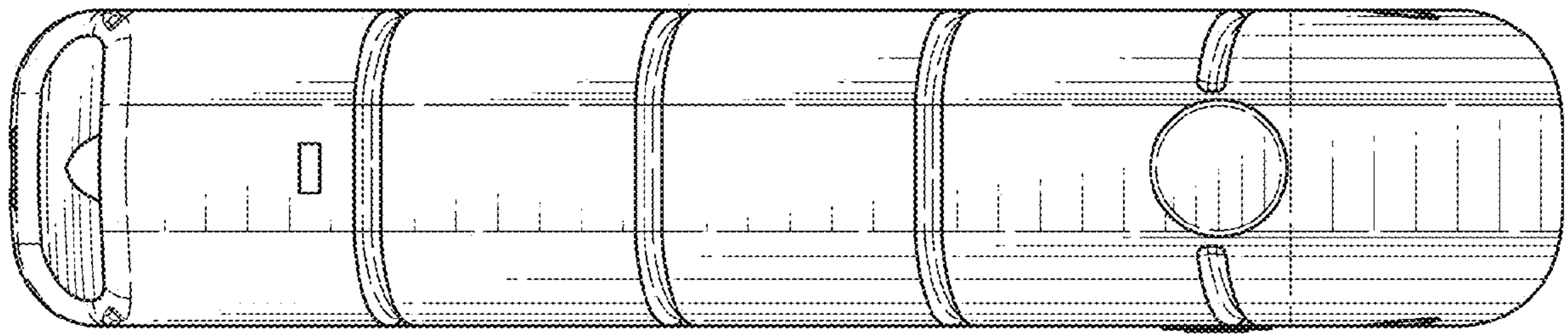


FIG. 6

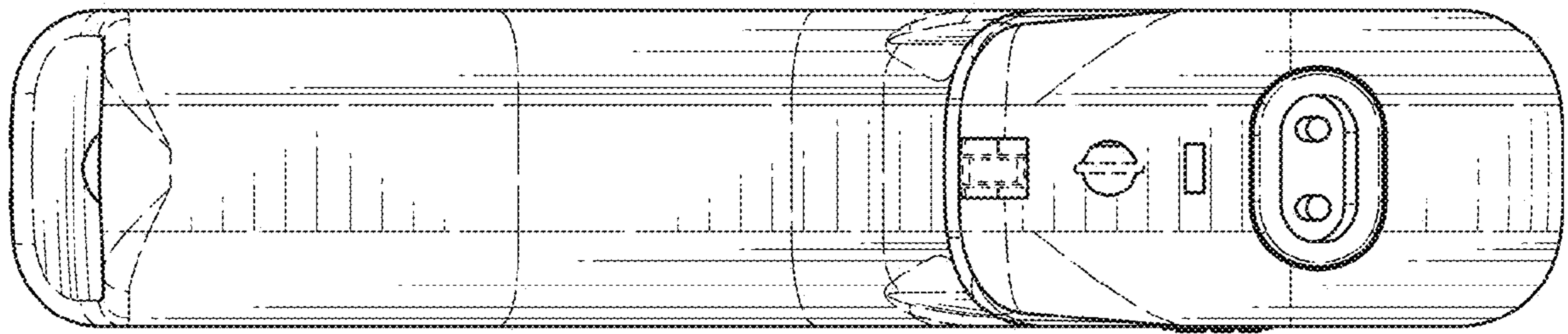


FIG. 7