



US00D879235S

(12) **United States Design Patent**
Chin

(10) **Patent No.:** **US D879,235 S**

(45) **Date of Patent:** **** Mar. 24, 2020**

(54) **UNIVERSAL OPTICS MOUNT**

D732,631 S * 6/2015 Cheng D22/109
D738,986 S * 9/2015 Anderson D22/109

(71) Applicant: **David Chin**, Irvine, CA (US)

* cited by examiner

(72) Inventor: **David Chin**, Irvine, CA (US)

Primary Examiner — Michael A. Pratt

(**) Term: **15 Years**

(74) *Attorney, Agent, or Firm* — Kafantaris Law Offices;
Theo Kafantaris

(21) Appl. No.: **29/658,755**

(22) Filed: **Aug. 2, 2018**

(51) **LOC (12) Cl.** **22-01**

(52) **U.S. Cl.**
USPC **D22/109**

(58) **Field of Classification Search**
USPC D22/109
CPC F41G 11/003
See application file for complete search history.

(57) **CLAIM**

The ornamental design for the universal optics mount, as shown and described.

DESCRIPTION

FIG.1 is a top view of the universal optics mount;
FIG. 2 is a bottom view of FIG. 1; and,
FIG. 3 is a rear-elevation view of FIG. 1, the left side being a mirror image.
This embodiment allows various optics to be mounted for firearms.

(56) **References Cited**

U.S. PATENT DOCUMENTS

D672,840 S * 12/2012 Neufeld D22/108
D728,729 S * 5/2015 Geissele D22/109

1 Claim, 2 Drawing Sheets

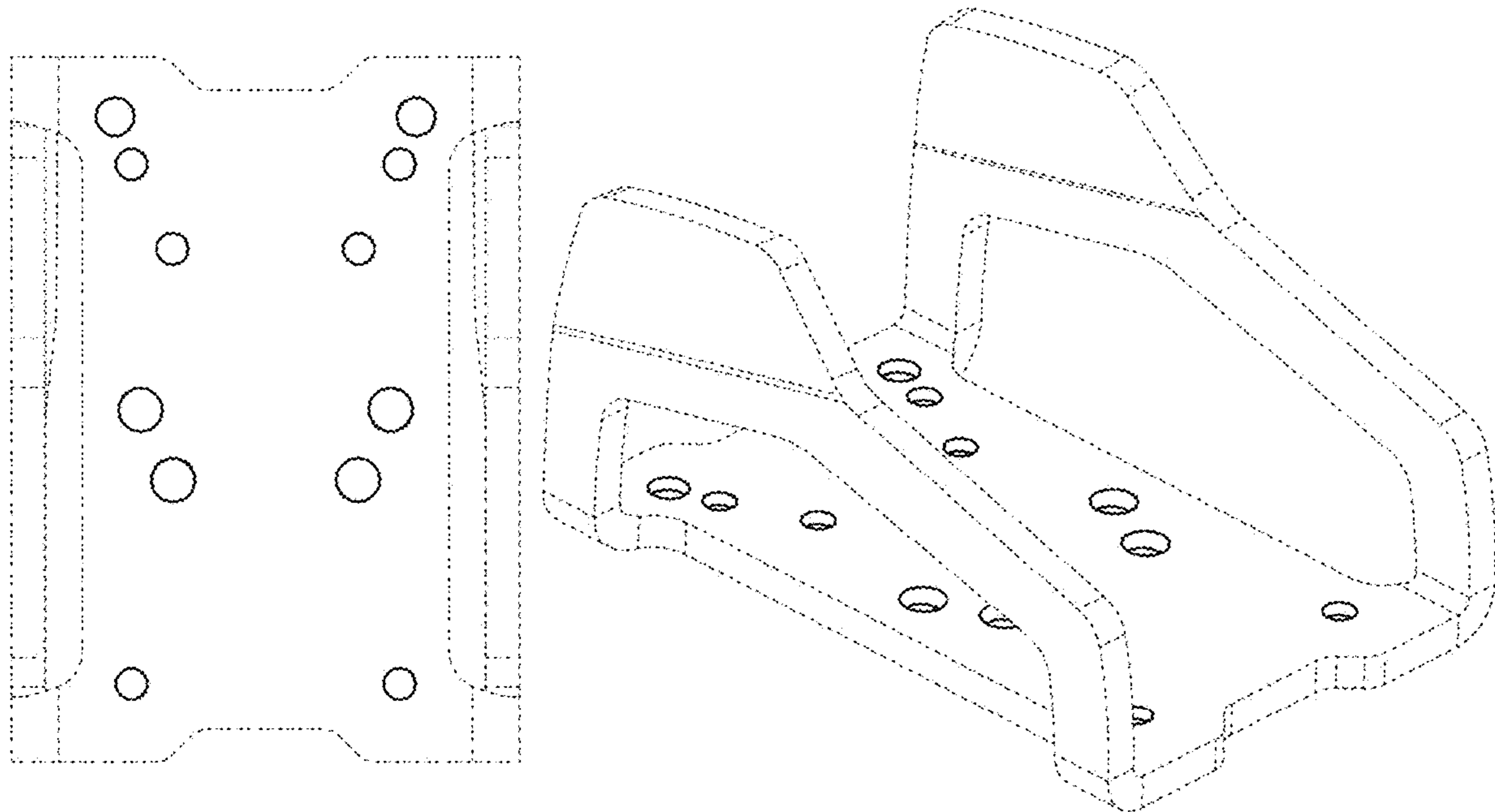


FIG. 1

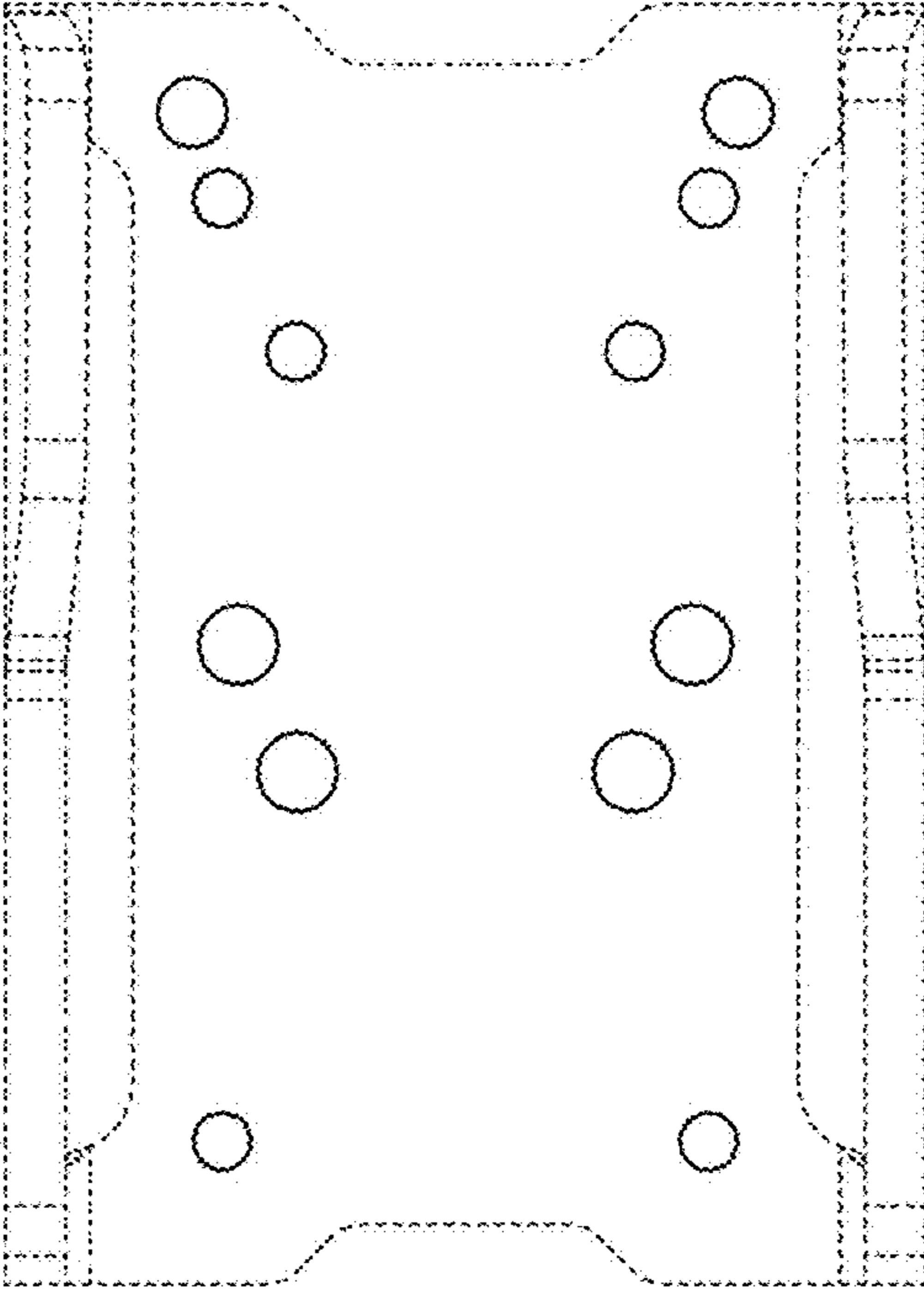


FIG. 2

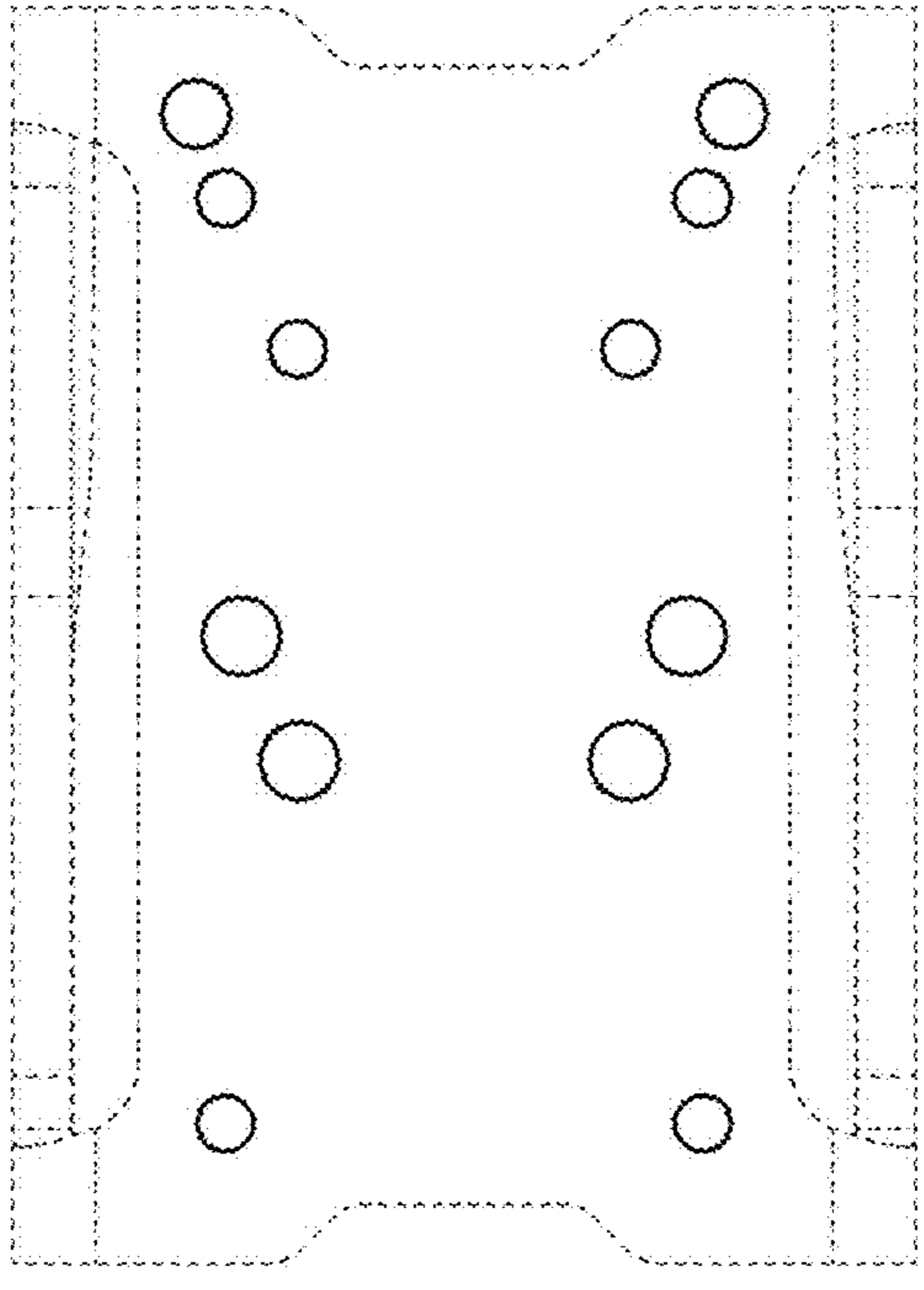


FIG. 3

