



US00D879231S

(12) **United States Design Patent**
Zhu

(10) **Patent No.:** **US D879,231 S**
(45) **Date of Patent:** **** Mar. 24, 2020**

(54) **TENT**
(71) Applicant: **Wenjie Zhu**, Danyang (CN)
(72) Inventor: **Wenjie Zhu**, Danyang (CN)
(**) Term: **15 Years**
(21) Appl. No.: **29/667,508**
(22) Filed: **Oct. 23, 2018**
(51) **LOC (12) Cl.** **21-04**
(52) **U.S. Cl.**
USPC **D21/834**
(58) **Field of Classification Search**
USPC D21/834, 835, 836, 837, 838, 839, 840
CPC E04H 15/00; E04H 15/02; E04H 15/18;
E04H 15/28; E04H 15/32; E04H 15/34;
E04H 15/40; E04H 15/42; E04H 15/425;
E04H 15/50
See application file for complete search history.

D605,723 S * 12/2009 Rausch D21/834
D652,886 S * 1/2012 Pedersen D21/834
D695,375 S * 12/2013 Jin D21/834
D696,373 S * 12/2013 Jin D21/834
D705,884 S * 5/2014 Jin D21/834
D718,828 S * 12/2014 Jin D21/834
D725,211 S * 3/2015 Lah D21/834
D725,212 S * 3/2015 Lah D21/834
D822,139 S * 7/2018 Cha D21/834
D840,488 S * 2/2019 Cha D21/834
D841,107 S * 2/2019 Zhu D21/834
D858,676 S * 9/2019 Xu D21/834

* cited by examiner

Primary Examiner — Manpreet S Matharu
Assistant Examiner — Keith J Wilson
(74) *Attorney, Agent, or Firm* — Law Offices of Steven W. Weinrieb

(57) **CLAIM**

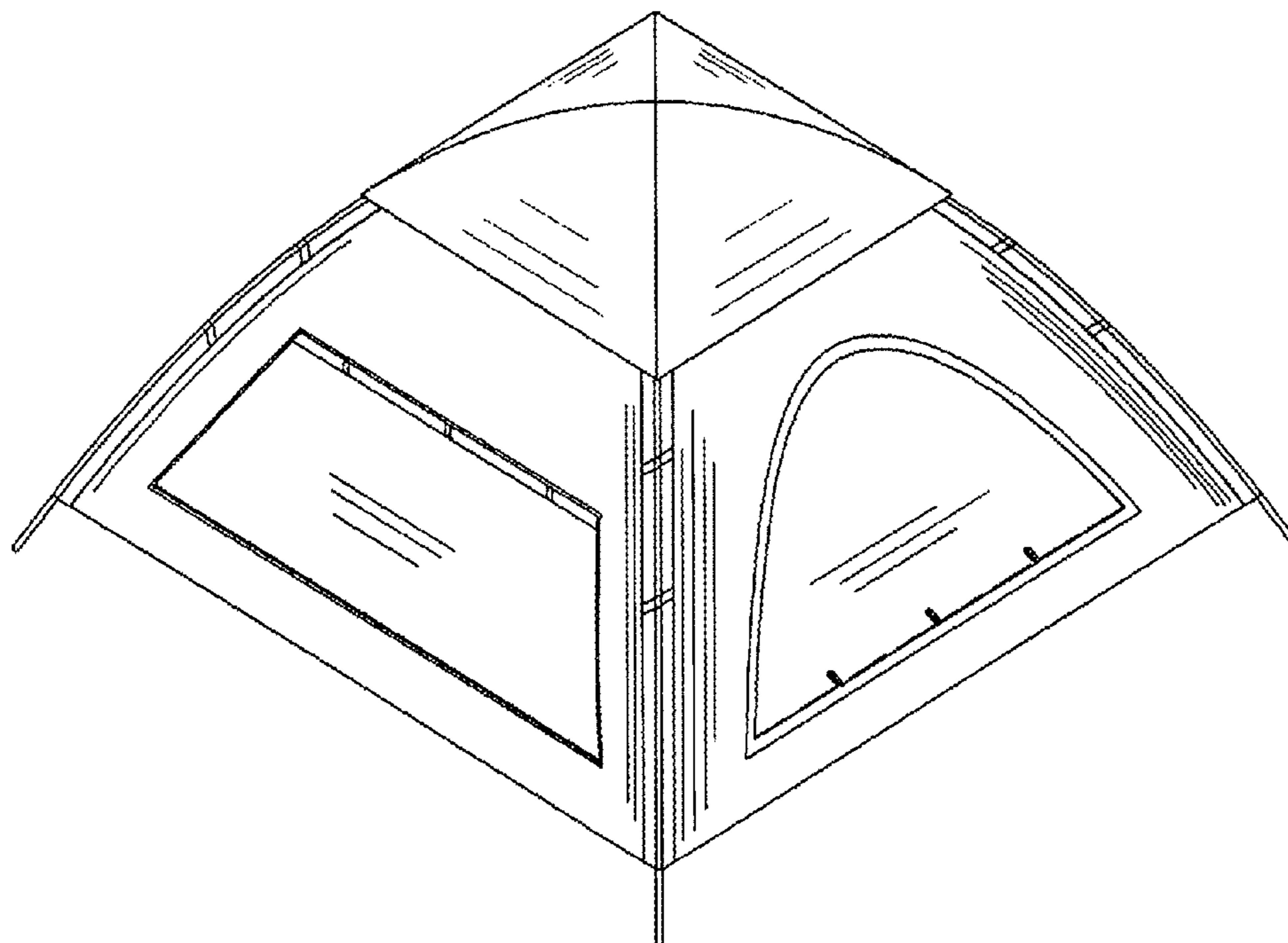
The ornamental design for a tent, as shown and described.

DESCRIPTION

FIG. 1 is a perspective view of a tent showing the new design;
FIG. 2 is a front view thereof,
FIG. 3 is a rear view thereof;
FIG. 4 is a left side view thereof;
FIG. 5 is a right side view thereof,
FIG. 6 is a top view thereof;
FIG. 7 is a bottom view thereof; and,
FIG. 8 is a partial enlarged view of an area indicated by A in FIG. 6.
The dot-dash broken lines indicating an enlargement portion of the design form no part of the claimed design.

(56) **References Cited**
U.S. PATENT DOCUMENTS
D259,653 S * 6/1981 Day D21/838
D324,405 S * 3/1992 Cantwell D21/834
D325,063 S * 3/1992 Cantwell D21/834
D418,573 S * 1/2000 Ju D21/834
D420,414 S * 2/2000 Lah D21/834
D461,759 S * 8/2002 Napieraj D12/404
D465,004 S * 10/2002 Funk E04H 15/18
D478,645 S * 8/2003 Percy D21/834
D484,942 S * 1/2004 Rapaport D21/834
D493,505 S * 7/2004 Arthur D21/834
D534,614 S * 1/2007 Gallaway D21/834
D562,930 S * 2/2008 Poulson D21/834

1 Claim, 8 Drawing Sheets



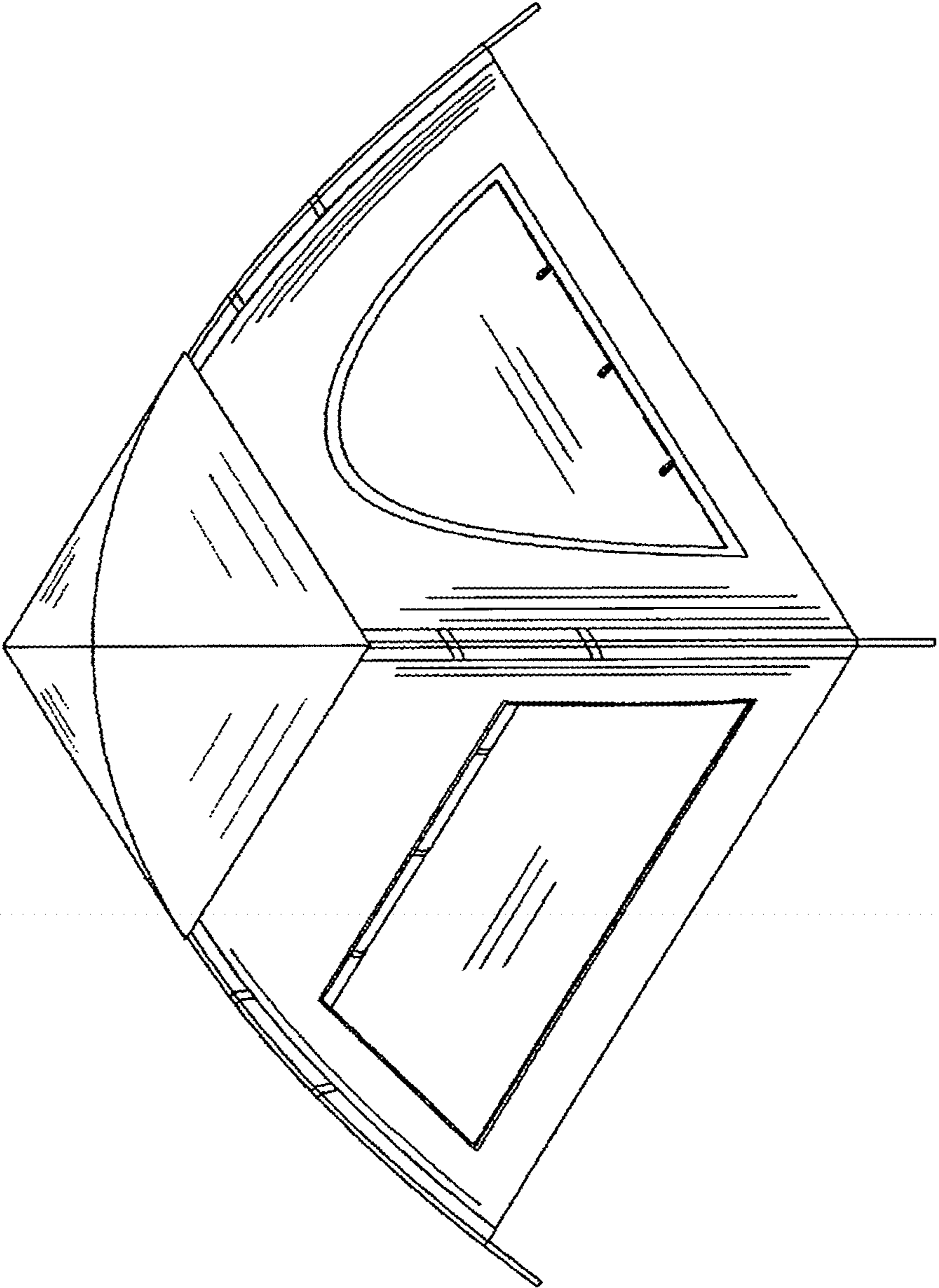
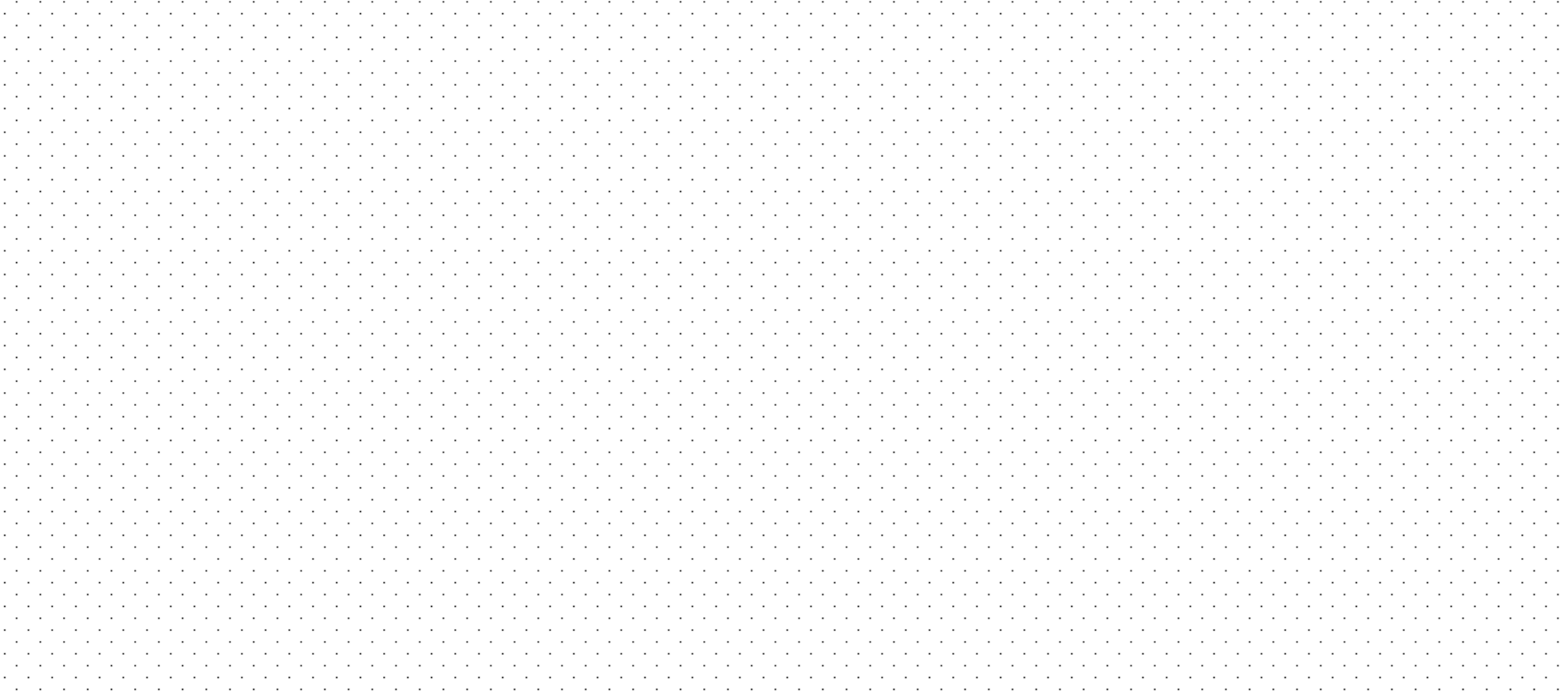


FIG. 1



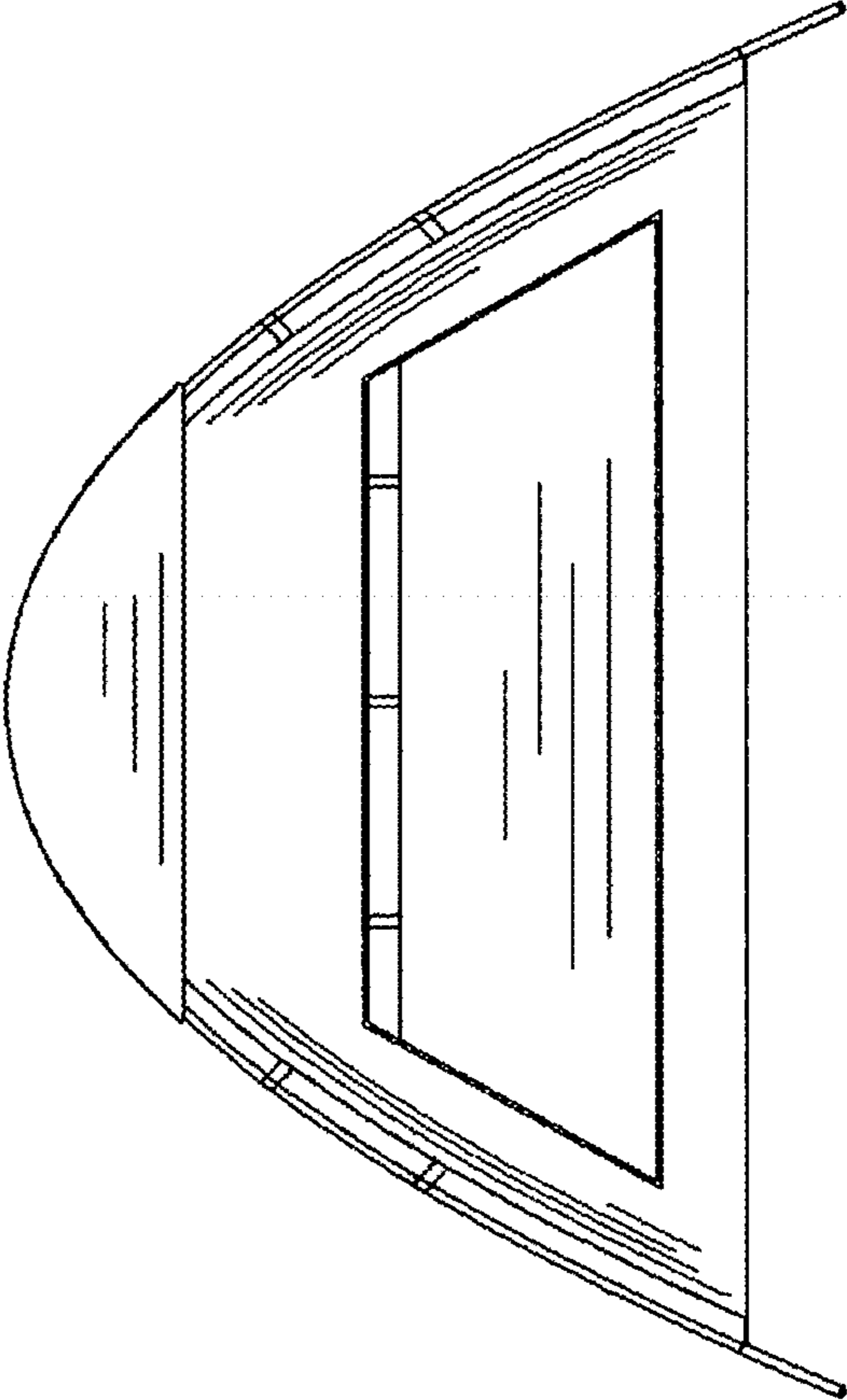


FIG. 2

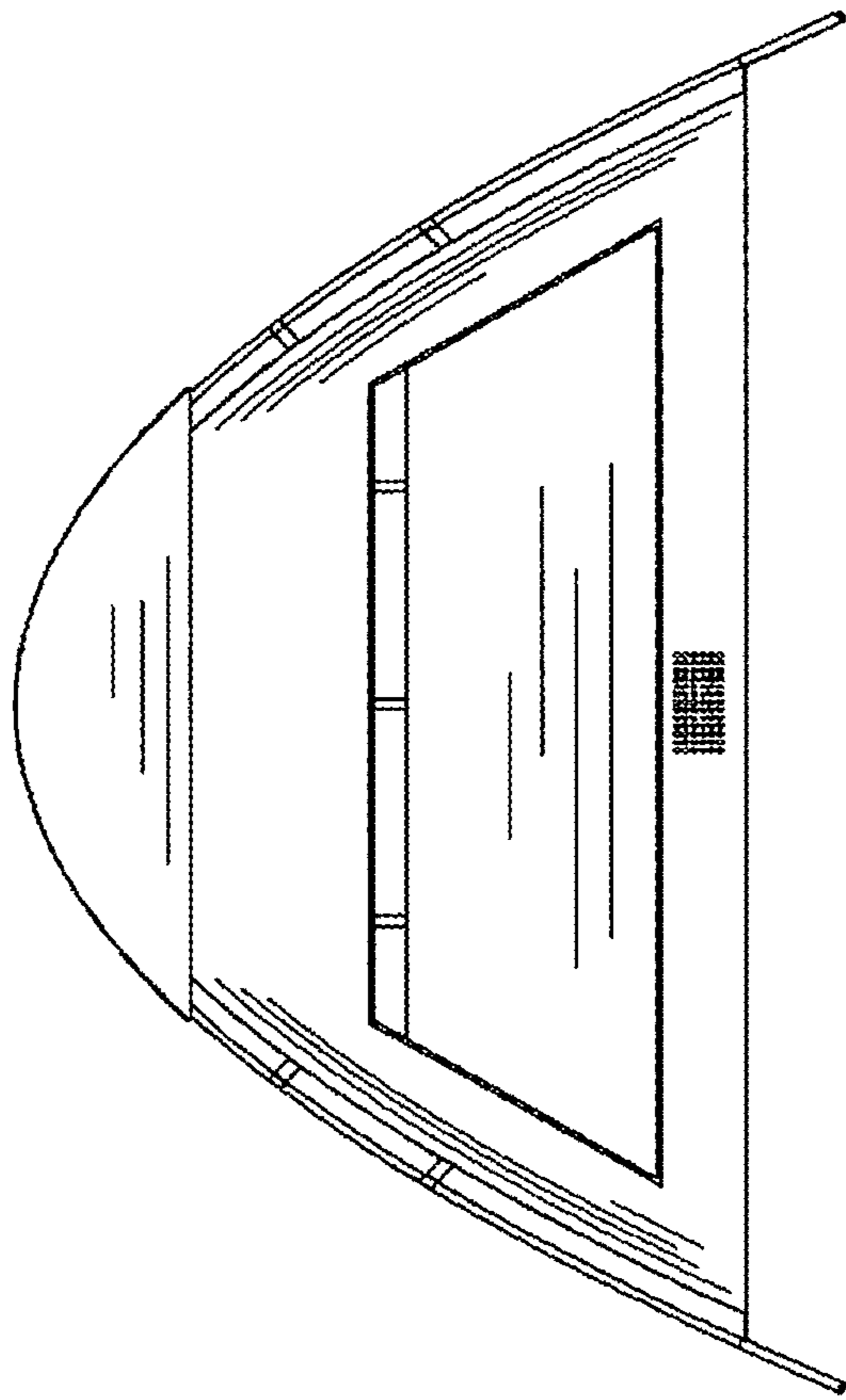


FIG. 3

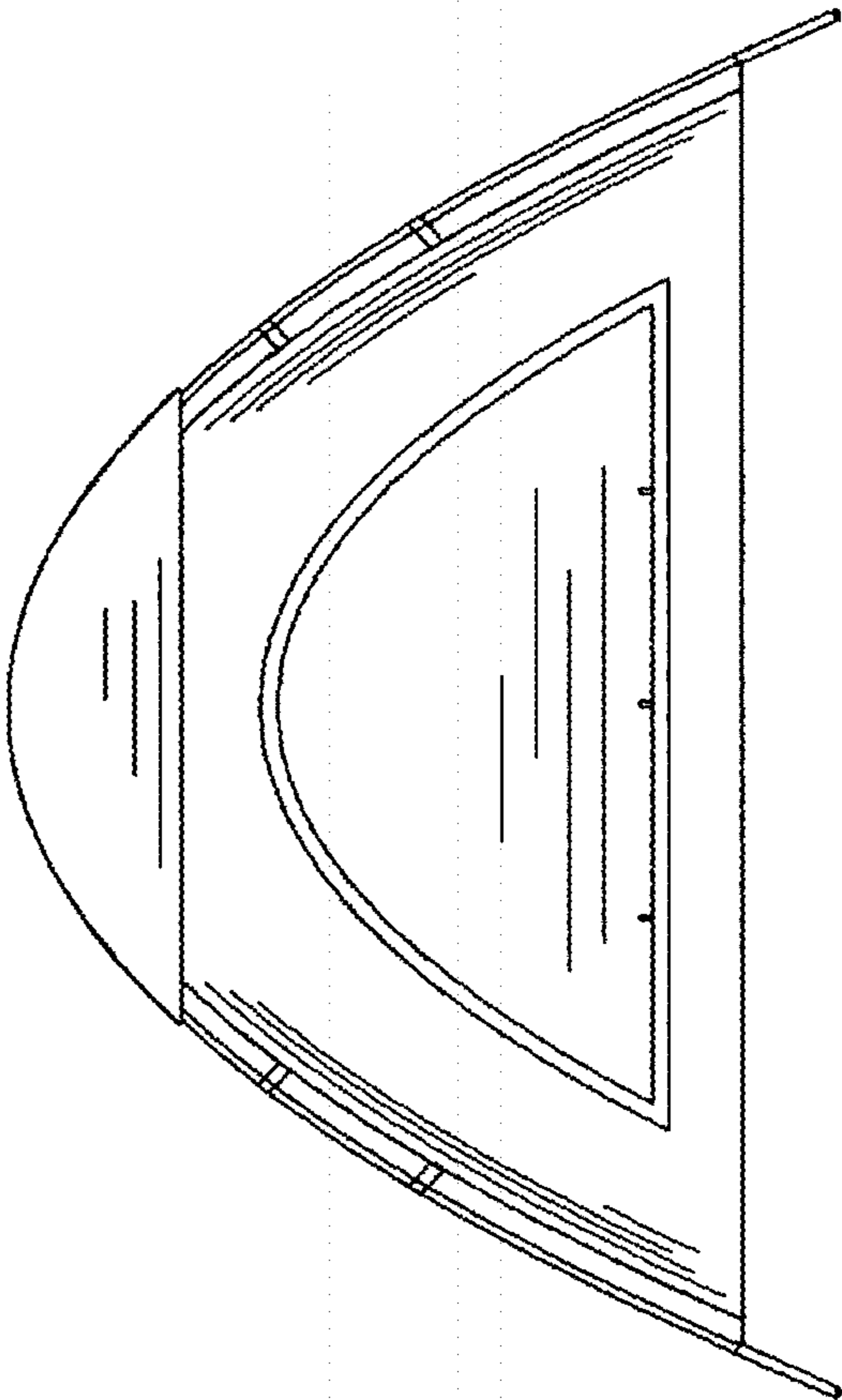


FIG. 4

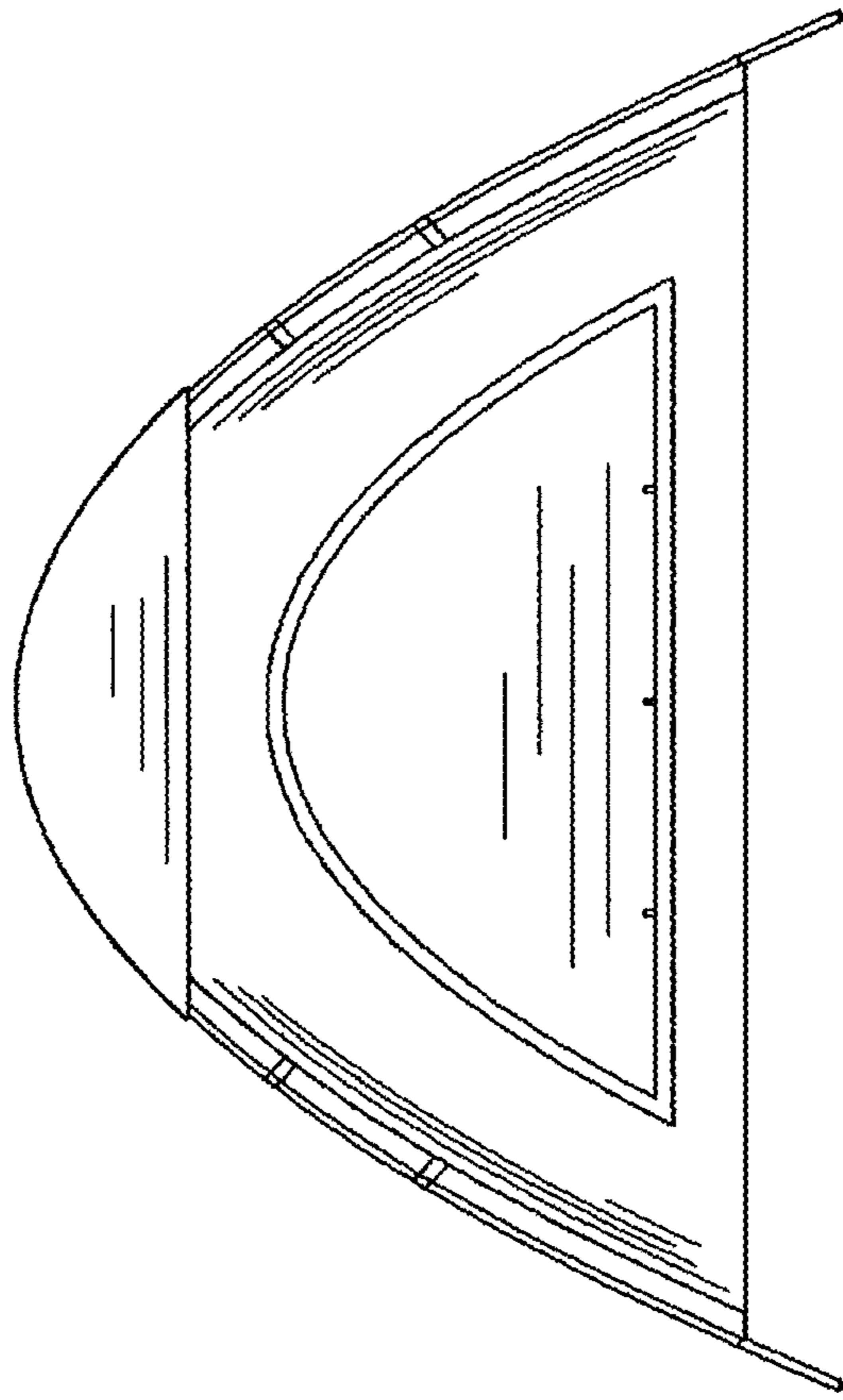


FIG. 5

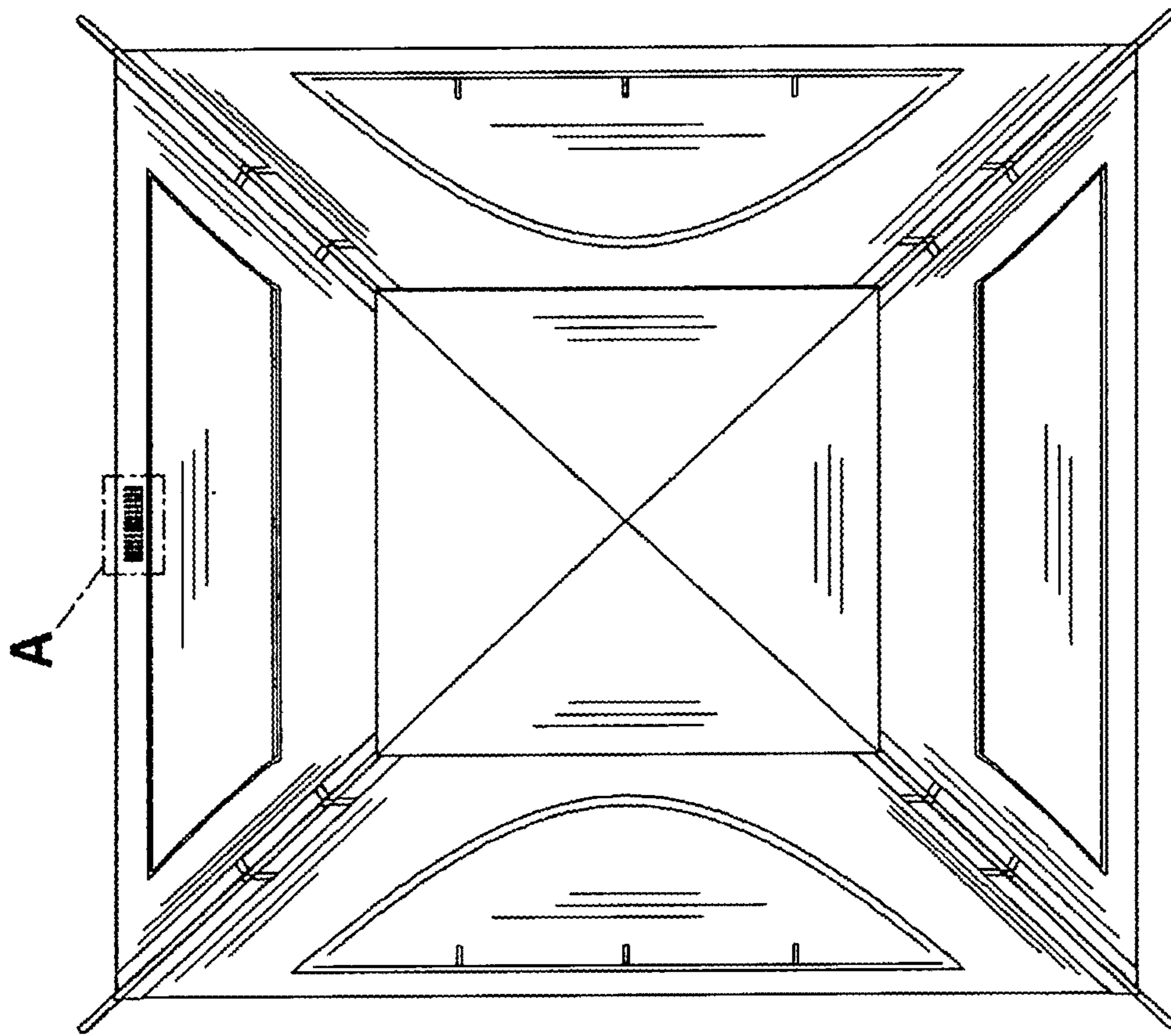


FIG. 6

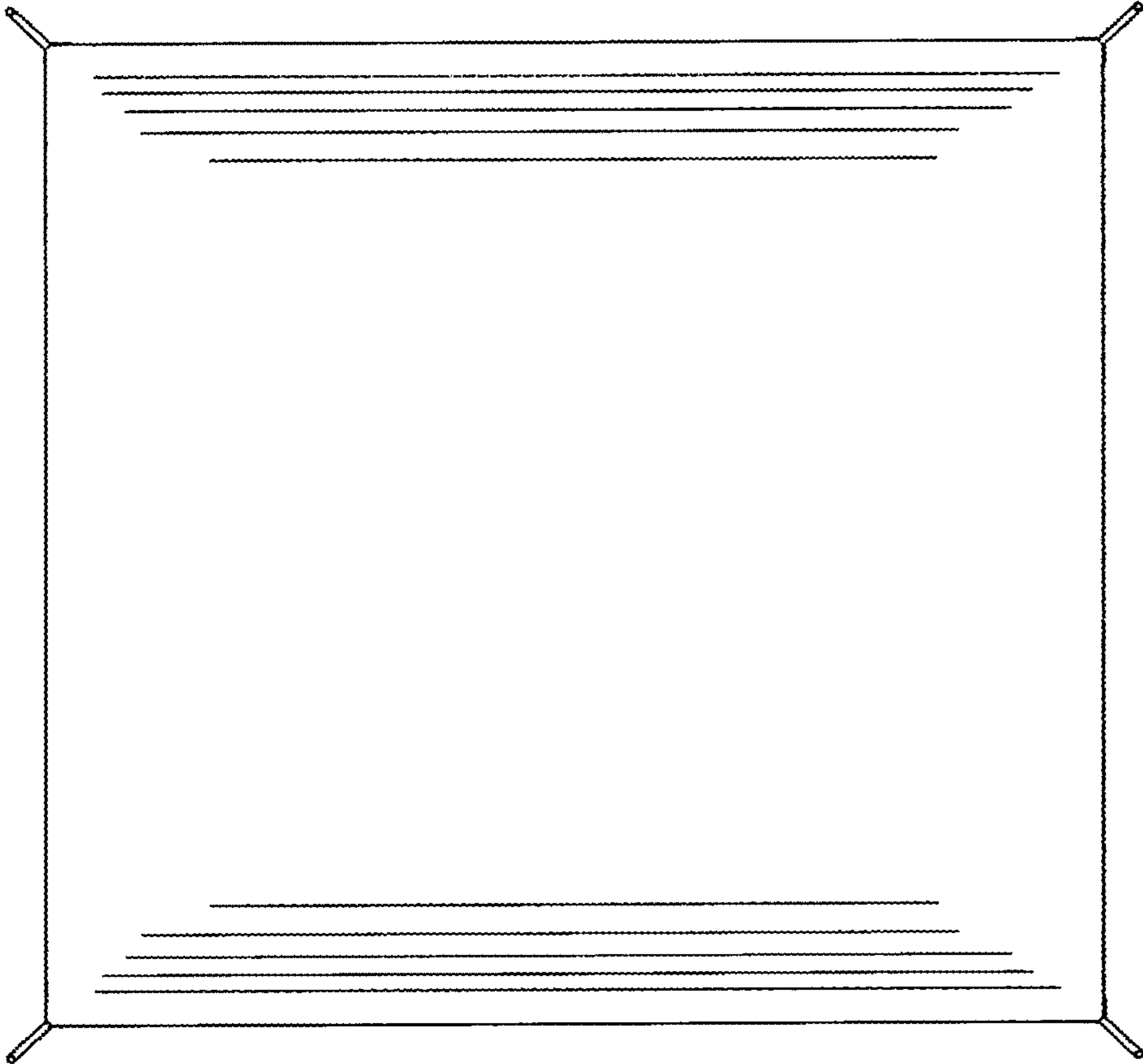


FIG. 7

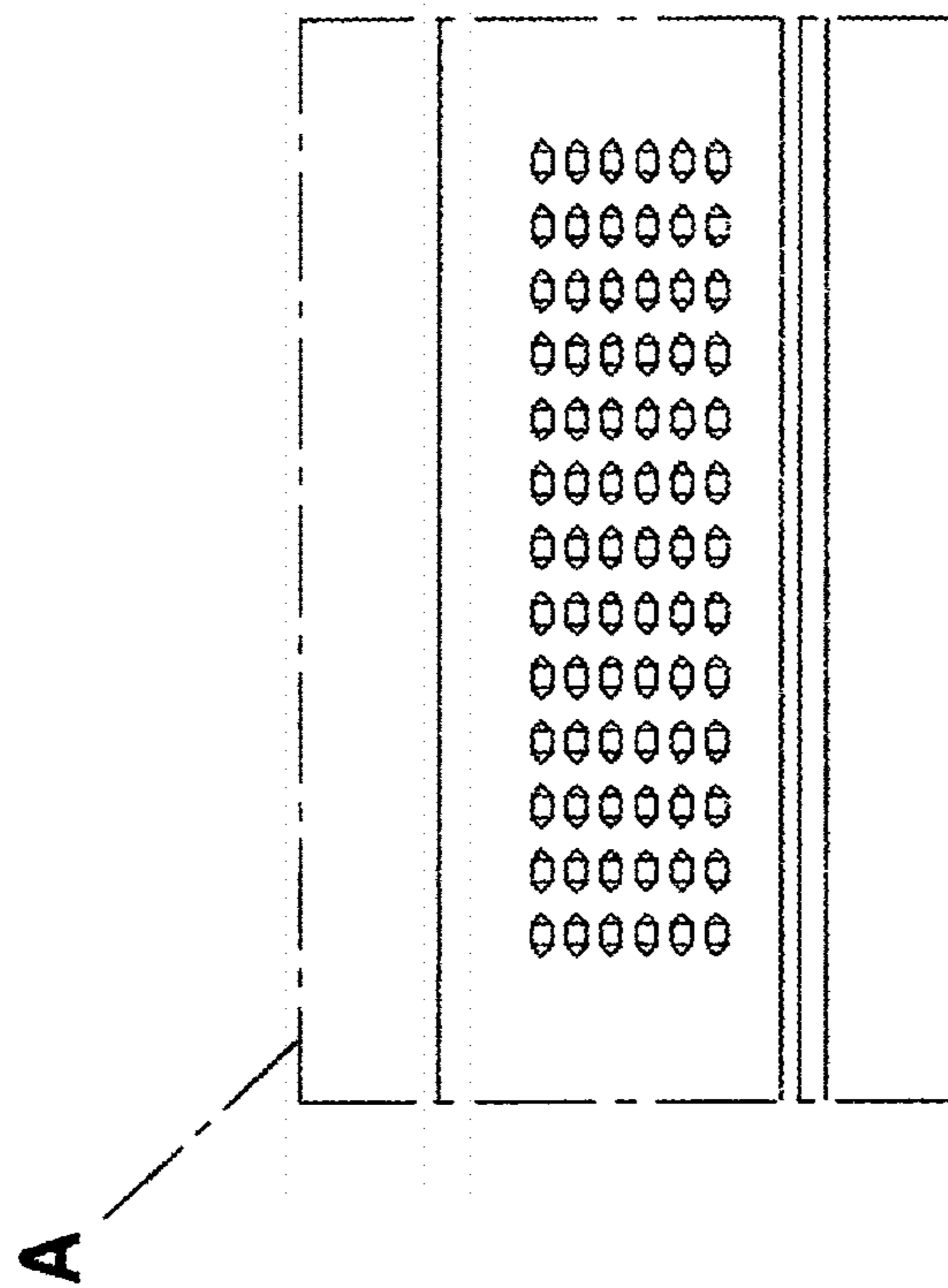


FIG. 8