



US00D879230S

(12) **United States Design Patent**  
**Blackrock**

(10) **Patent No.:** **US D879,230 S**  
(45) **Date of Patent:** **\*\* Mar. 24, 2020**

- (54) **SWING COVER**
- (71) Applicant: **Bearcreek Imports, LLC**, Austin, TX (US)
- (72) Inventor: **John Blackrock**, Dallas, TX (US)
- (73) Assignee: **Aarjay Products, LLC**, Springfield, VA (US)
- (\*\*) Term: **15 Years**
- (21) Appl. No.: **29/669,193**
- (22) Filed: **Nov. 6, 2018**
- (51) **LOC (12) Cl.** ..... **21-02**
- (52) **U.S. Cl.**  
USPC ..... **D21/823**
- (58) **Field of Classification Search**  
USPC ..... D21/811, 814, 822–825; D6/344, 345, D6/347, 351, 358, 369, 379, 380, 385, D6/386, 388  
CPC . A63G 9/00–9/22; A47C 3/0255; A47C 4/24; A47C 5/02; A45F 3/26  
See application file for complete search history.

- 4,621,003 A \* 11/1986 O’Kane ..... B32B 3/06 428/71
  - D336,378 S \* 6/1993 Kittridge ..... D6/344
  - D340,275 S \* 10/1993 Haun ..... D21/823
  - 5,427,575 A \* 6/1995 Berk ..... A63G 9/00 297/273
  - D445,286 S \* 7/2001 Rhyne ..... D6/610
  - D606,153 S \* 12/2009 Sword ..... D21/823
  - D619,187 S \* 7/2010 Couch ..... D21/823
  - 8,454,450 B1 \* 6/2013 Cordray ..... A63G 9/00 472/118
  - D710,120 S \* 8/2014 Tseng ..... D6/368
- (Continued)

*Primary Examiner* — Mitchell I. Siegel  
(74) *Attorney, Agent, or Firm* — Mark Malek; Widerman Malek, PL

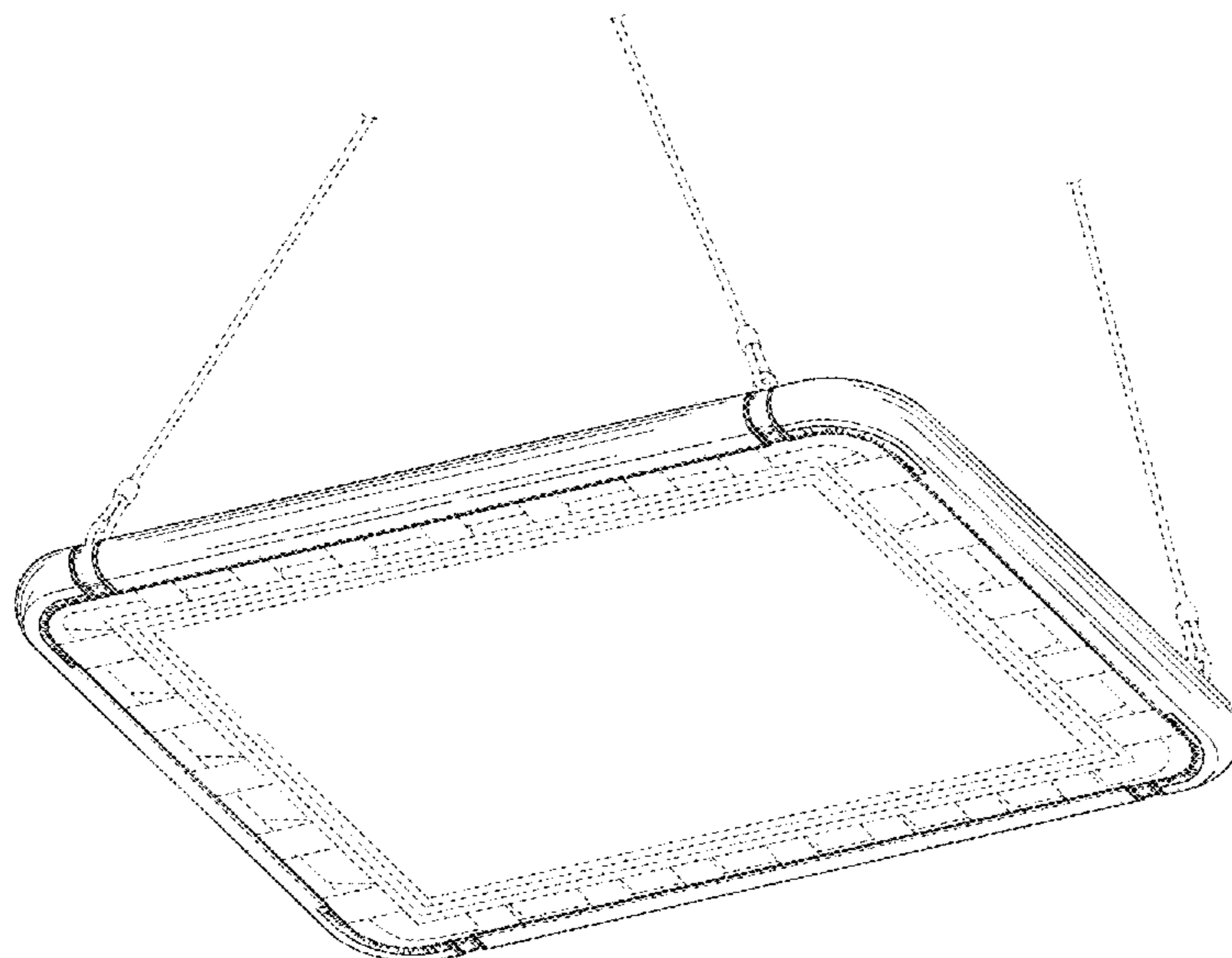
(57) **CLAIM**

The ornamental design for a swing cover, as shown and described.

**DESCRIPTION**

FIG. 1 is a bottom perspective view of a swing cover according to the present invention;  
 FIG. 2 is a bottom plan view of the swing cover illustrated in FIG. 1.  
 FIG. 3 is a top plan view of the swing cover illustrated in FIG. 1.  
 FIG. 4 is an elevation view of the swing cover illustrated in FIG. 1.  
 FIG. 5 is an end view of the swing cover illustrated in FIG. 1;  
 FIG. 6 is a bottom perspective view of the swing cover illustrated in FIG. 1 being shown with unclaimed elements; and,  
 FIG. 7 is an exploded bottom perspective view being shown with an unclaimed element.  
 The broken lines shown in FIGS. 1-7 are included for the purpose of illustrating unclaimed subject matter and forms no part of the claimed design.

**1 Claim, 6 Drawing Sheets**



(56)

**References Cited**

U.S. PATENT DOCUMENTS

|              |    |   |         |            |       |                      |
|--------------|----|---|---------|------------|-------|----------------------|
| D711,151     | S  | * | 8/2014  | Christakos | ..... | D6/368               |
| D718,546     | S  | * | 12/2014 | Christakos | ..... | D6/368               |
| D718,547     | S  | * | 12/2014 | Christakos | ..... | D6/368               |
| 9,067,146    | B1 | * | 6/2015  | Cordray    | ..... | A63G 9/12            |
| D737,587     | S  | * | 9/2015  | Akkad      | ..... | D6/368               |
| D738,637     | S  | * | 9/2015  | Dean       | ..... | D6/347               |
| 9,440,154    | B1 | * | 9/2016  | Cordray    | ..... | A63G 9/12            |
| D811,103     | S  | * | 2/2018  | Priest     | ..... | D6/347               |
| D854,106     | S  | * | 7/2019  | Chen       | ..... | D21/823              |
| D859,561     | S  | * | 9/2019  | Nordin     | ..... | D21/823              |
| D859,562     | S  | * | 9/2019  | Nordin     | ..... | D21/823              |
| 2009/0160231 | A1 | * | 6/2009  | McCurdy    | ..... | A63G 9/00<br>297/229 |

\* cited by examiner

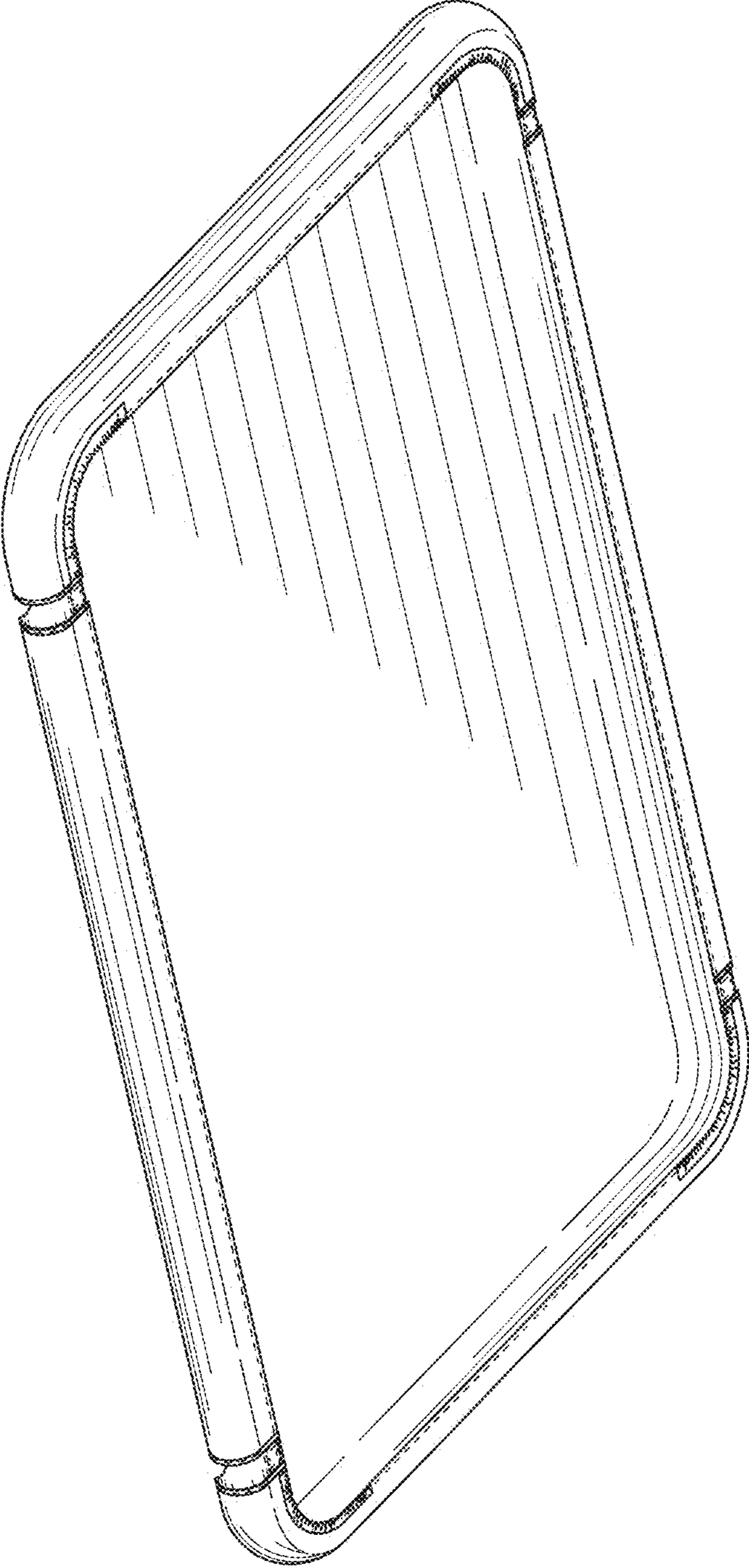


FIG. 1

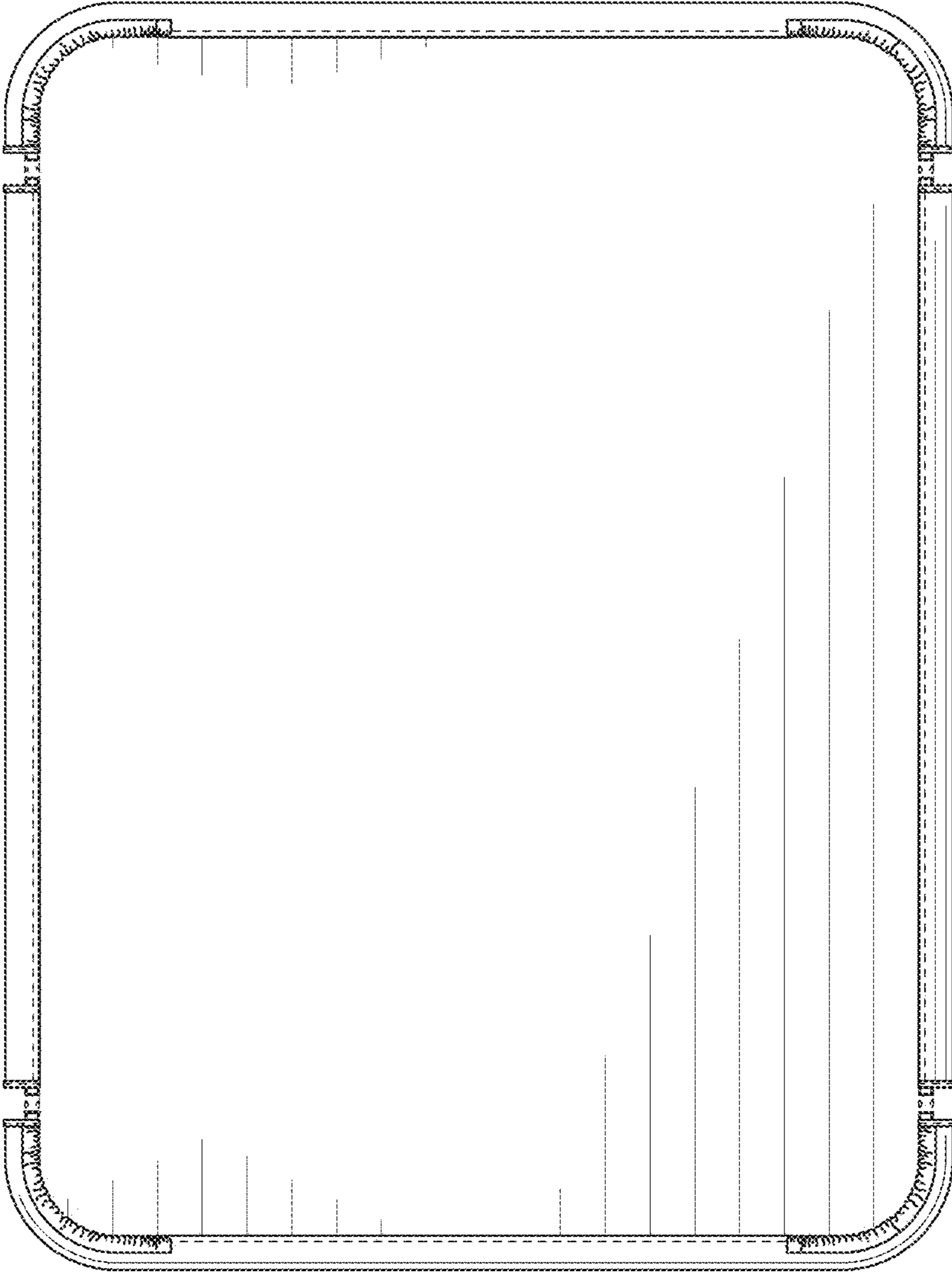


FIG. 2

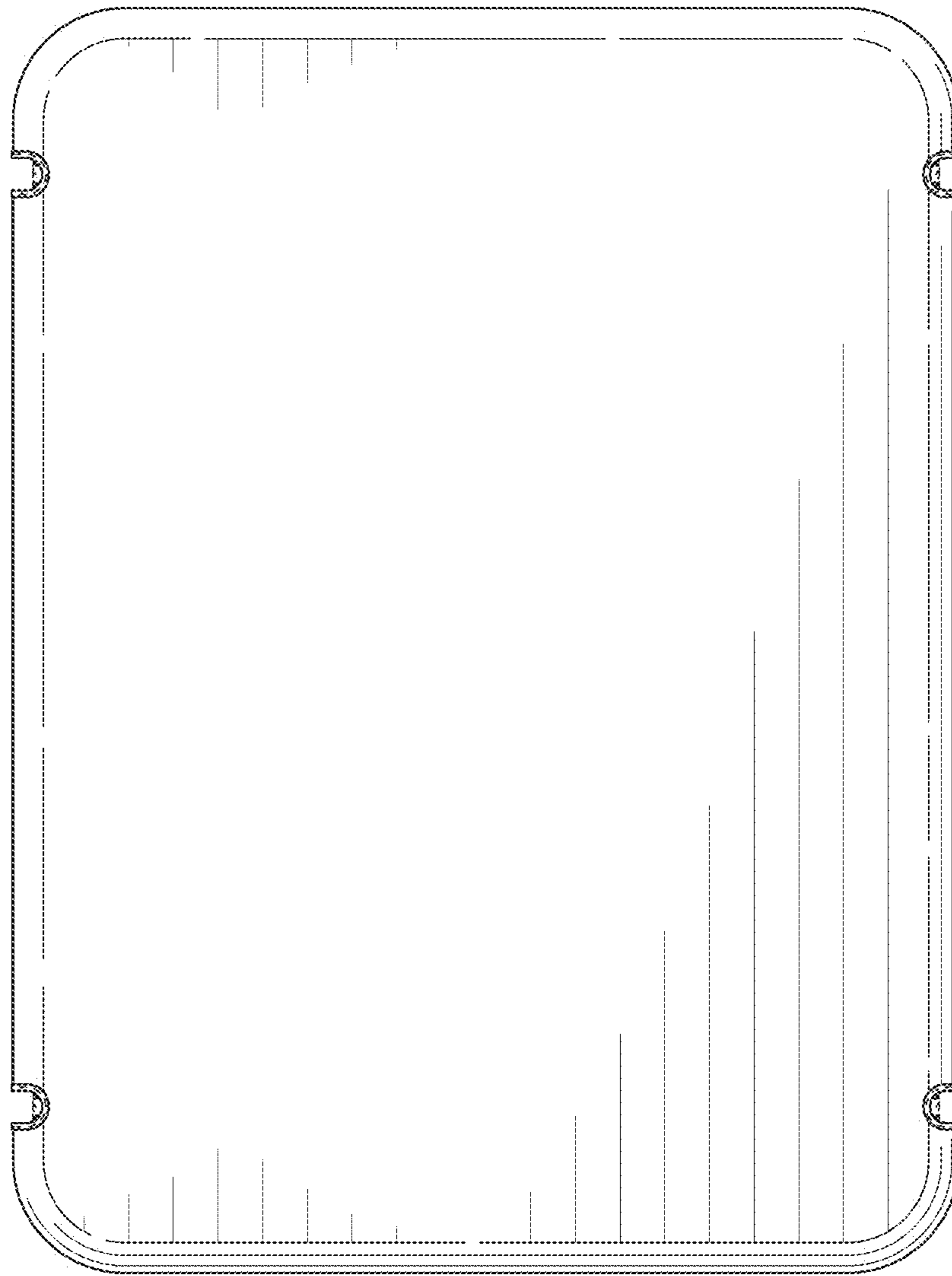


FIG. 3

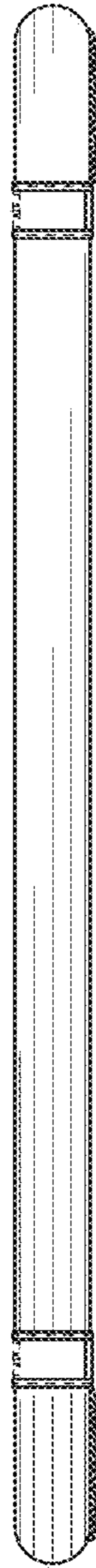


FIG. 4

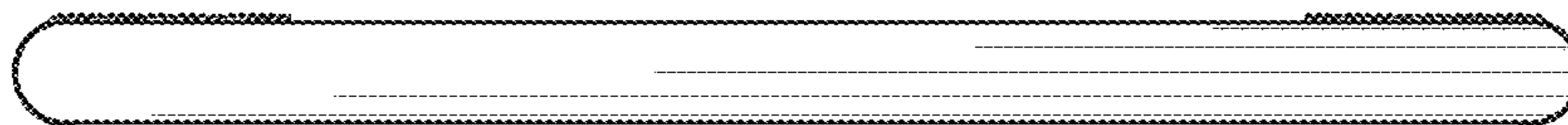


FIG. 5



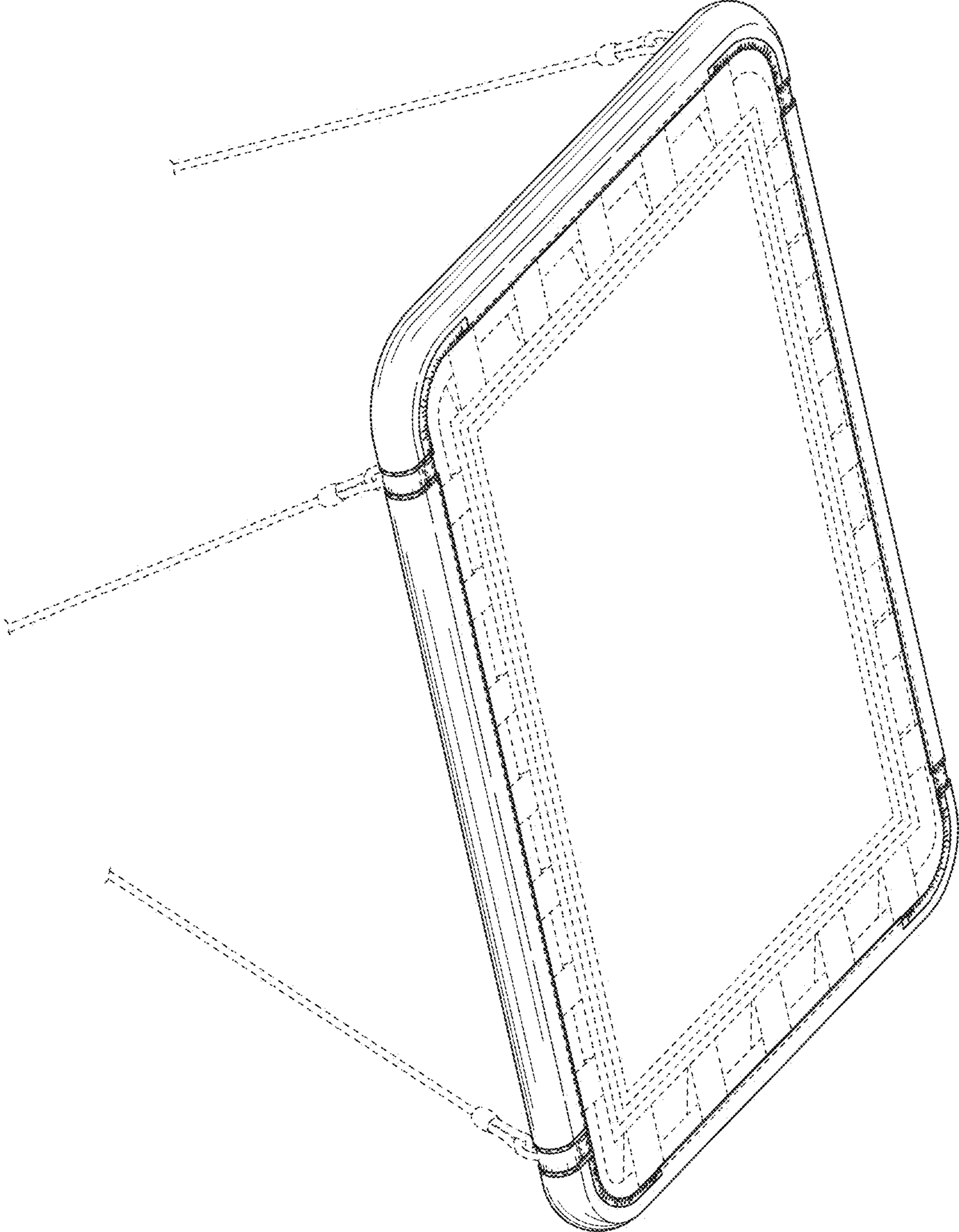


FIG. 6

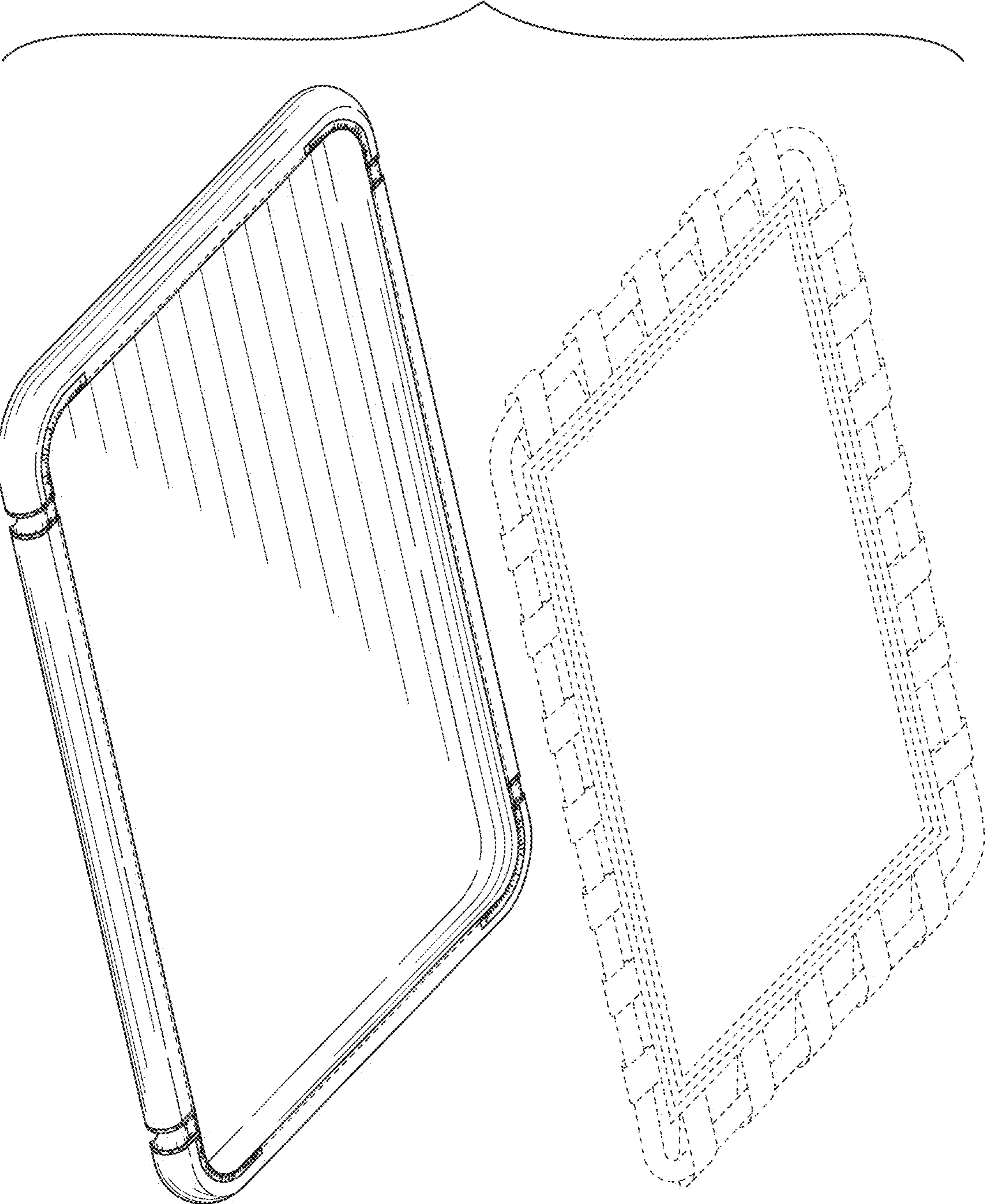


FIG. 7