

US00D879228S

(12) **United States Design Patent**
Taft

(10) **Patent No.:** **US D879,228 S**
(45) **Date of Patent:** **** Mar. 24, 2020**

(54) **PUTTING TARGET**

(71) Applicant: **Carlton Taft**, Thousand Palms, CA (US)

(72) Inventor: **Carlton Taft**, Thousand Palms, CA (US)

(**) Term: **15 Years**

(21) Appl. No.: **29/612,462**

(22) Filed: **Aug. 1, 2017**

(51) **LOC (12) Cl.** **21-02**

(52) **U.S. Cl.**
USPC **D21/790**

(58) **Field of Classification Search**
USPC D21/300, 301, 302, 303, 304, 318, 319, D21/322, 334, 335, 336, 341, 342, 343, D21/365, 385, 386, 390, 789, 790, 791, D21/396, 397; D6/302, 309, 310, 312, D6/332; 273/17, 331, 336, 398, 400, 273/402, 407, 408, 410, 118 R, 123 R, 273/348, 386
CPC A63B 63/00; A63B 63/08; A63B 67/00; A63B 71/00
See application file for complete search history.

D239,949 S * 5/1976 Trombetta, Jr. D21/303
D246,059 S * 10/1977 Malish D21/303
4,743,026 A 5/1988 Eady
4,943,065 A * 7/1990 DeLapa A63B 67/06
273/402
5,108,101 A 4/1992 Postula
D330,227 S * 10/1992 Franklin D21/303
5,261,670 A 11/1993 Mull
5,553,862 A * 9/1996 Konotopsky A63B 67/06
273/402
D375,530 S * 11/1996 Rudd D21/303
5,607,360 A 3/1997 Shiffman
5,738,594 A 4/1998 Kinney
5,765,832 A * 6/1998 Huff A63B 63/08
273/354
5,871,216 A * 2/1999 Sparacino A63B 63/08
273/402
D438,910 S * 3/2001 Culberson D21/303
(Continued)

Primary Examiner — Sandra S Snapp
Assistant Examiner — Mehri F Bajoul
(74) *Attorney, Agent, or Firm* — Dawsey Co., LPA;
David J. Dawsey

(57) **CLAIM**

The ornamental design for a putting target, as shown and described.

DESCRIPTION

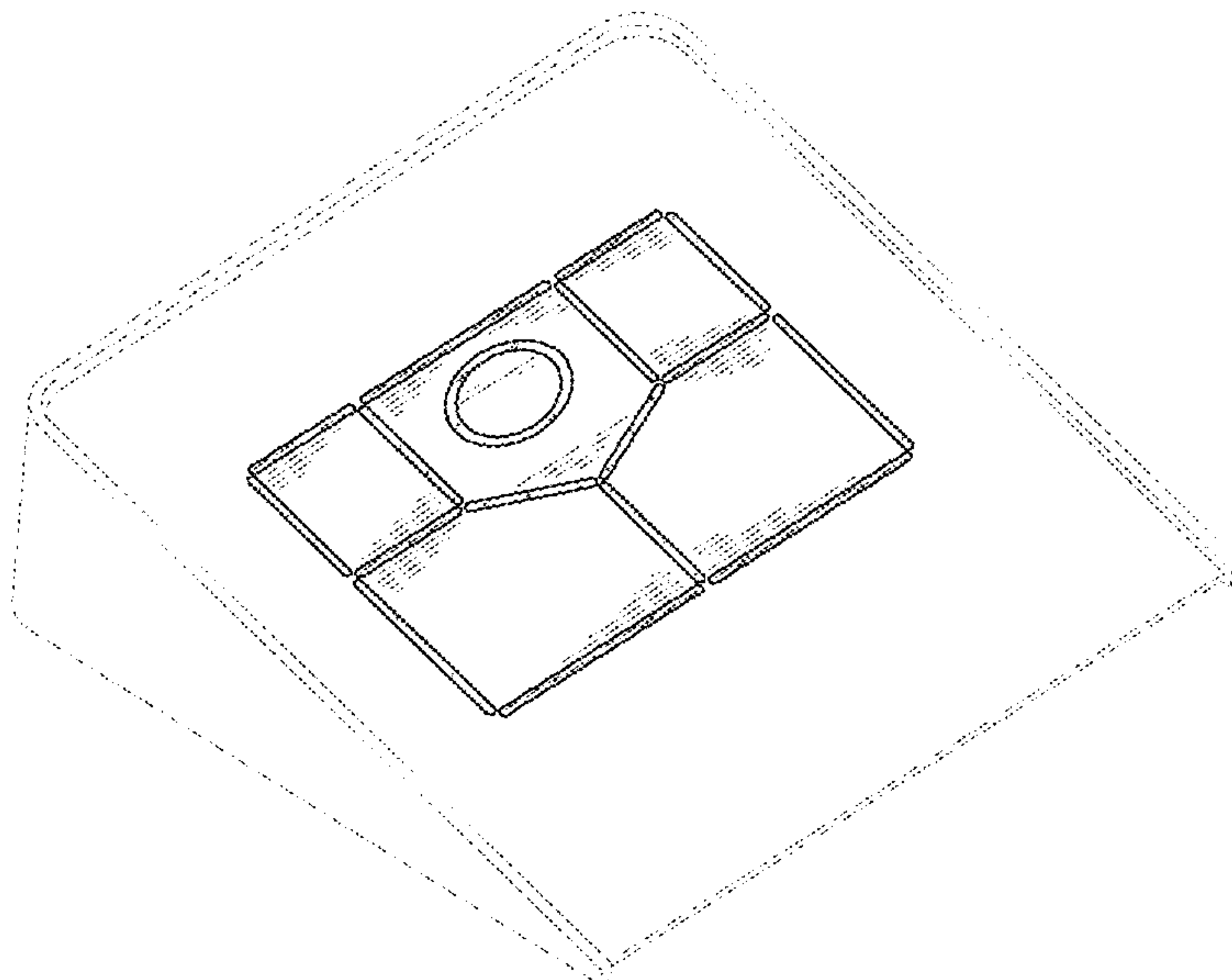
FIG. 1 is a perspective view of a putting target showing my new design;
FIG. 2 is a top plan view thereof;
FIG. 3 is a bottom plan view thereof;
FIG. 4 is a right side elevation view thereof;
FIG. 5 is a left side elevation view thereof;
FIG. 6 is a front elevation view thereof; and,
FIG. 7 is a rear elevation view thereof.
The broken lines shown in the figures depict portions of the putting target that form no part of the claimed design.

1 Claim, 5 Drawing Sheets

(56) **References Cited**

U.S. PATENT DOCUMENTS

1,473,308 A * 11/1923 Martin A63B 63/00
273/317.6
3,351,345 A 11/1967 Robinette
3,476,076 A 11/1969 McDougall
3,584,877 A 6/1971 Florian
3,727,918 A 4/1973 Zawacki
3,837,650 A * 9/1974 Haney A63F 9/001
273/402
3,844,558 A 10/1974 Gigliotti
3,856,313 A 12/1974 Tierney
3,944,232 A 3/1976 Tierney



(56)

References Cited

U.S. PATENT DOCUMENTS

6,244,598 B1 *	6/2001	Conville	A63B 63/00	D706,353 S *	6/2014	Montenare	D21/303
				273/402	D706,354 S *	6/2014	Montenare	D21/303
6,419,590 B1	7/2002	Criger			D706,355 S *	6/2014	Montenare	D21/303
6,837,798 B1	1/2005	Medcalf			D721,137 S *	1/2015	Sindaco	D21/303
6,932,345 B1 *	8/2005	O'Dell	A63B 63/007	D729,319 S *	5/2015	Meissner	D21/303
				273/402	9,168,442 B2	10/2015	Covino et al.		
D540,406 S *	4/2007	Edmondson, Jr.	D21/699	D815,693 S *	4/2018	Sindaco	D21/303
D544,041 S *	6/2007	Murphy	D21/303	D827,031 S *	8/2018	Valladares	D21/303
7,607,666 B1 *	10/2009	Studier	A63B 63/00	D827,078 S *	8/2018	McAuley	D21/790
				116/222	D838,791 S *	1/2019	Schneider	D21/699
D635,197 S *	3/2011	Pryor	D21/303	2005/0153788 A1	7/2005	Saldana		
D645,520 S *	9/2011	Dahl	D21/303	2006/0217212 A1	9/2006	Sindelar et al.		
D646,334 S *	10/2011	Ingram	D21/303	2007/0063447 A1 *	3/2007	Gholson	A63B 67/06
D649,601 S *	11/2011	Buchanan	D21/303					273/400
8,662,501 B1 *	3/2014	Perales	A63B 63/08	2010/0181726 A1 *	7/2010	Bos	A63B 67/06
				108/44					273/336
8,702,528 B1	4/2014	Montgomery			2015/0209637 A1	7/2015	Curtis		
					2017/0340937 A1 *	11/2017	Poetter	A63B 67/06
					2018/0043227 A1 *	2/2018	Segerstrom	A63F 9/0204

* cited by examiner

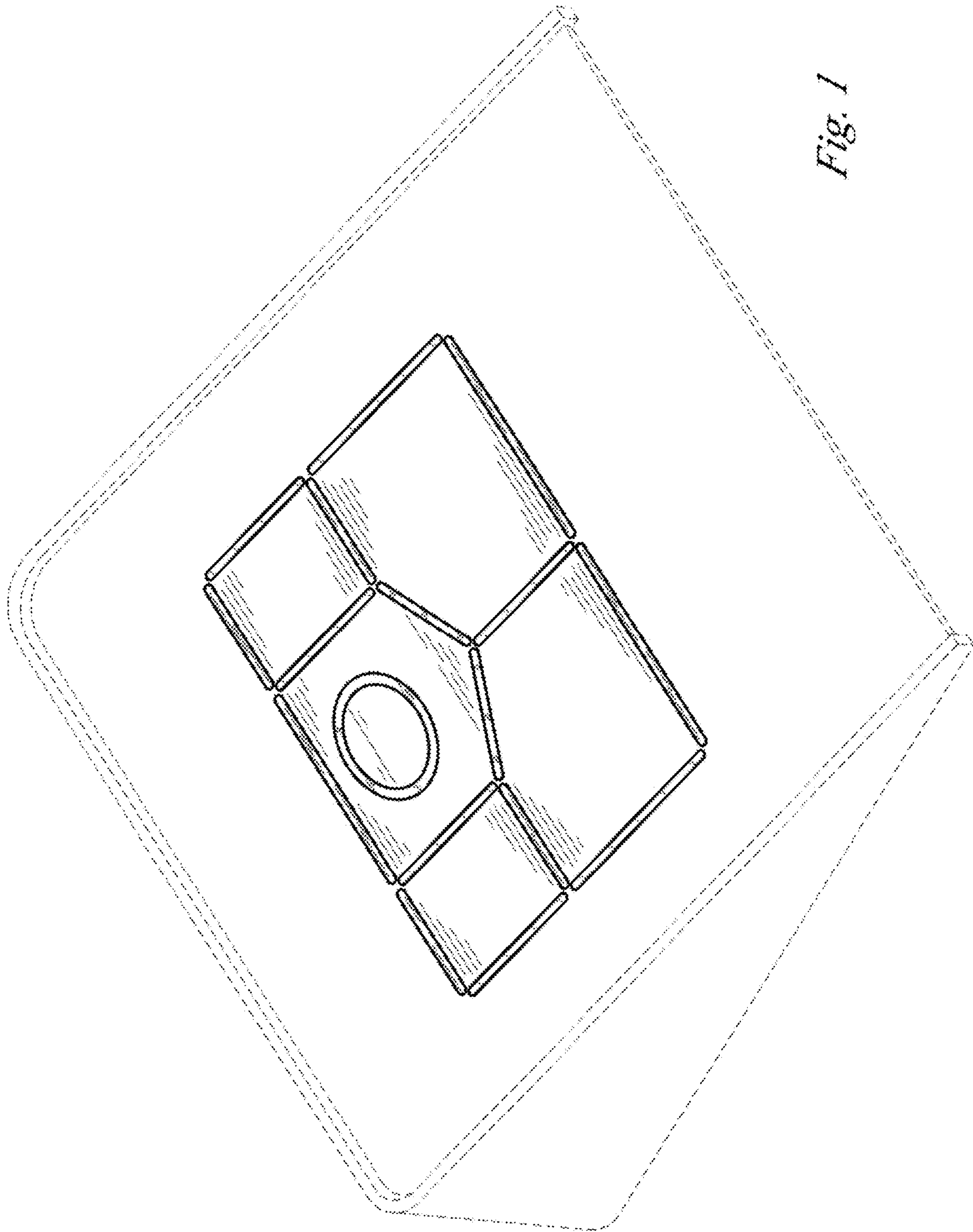


Fig. 1

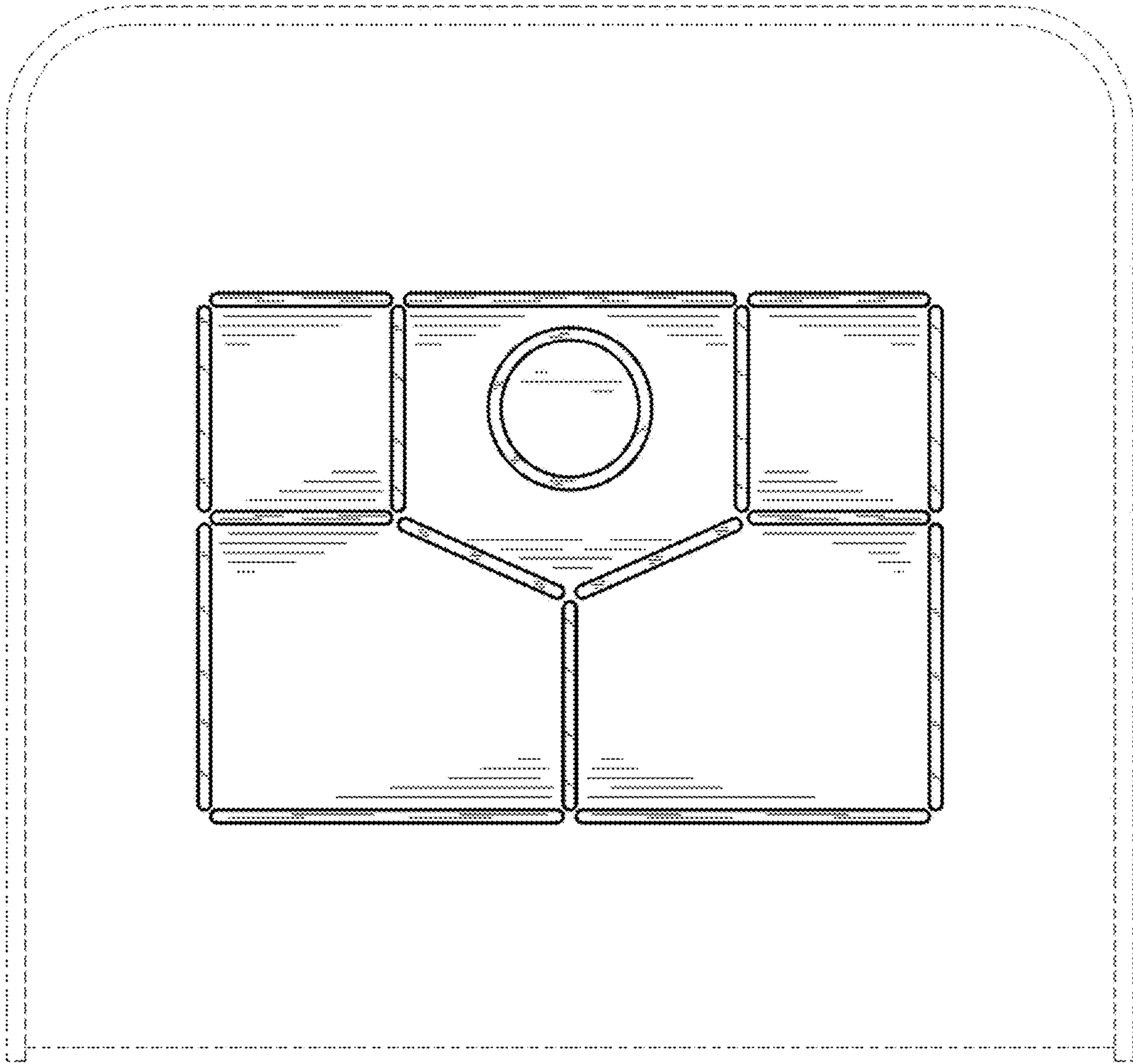


Fig. 2



Fig. 3

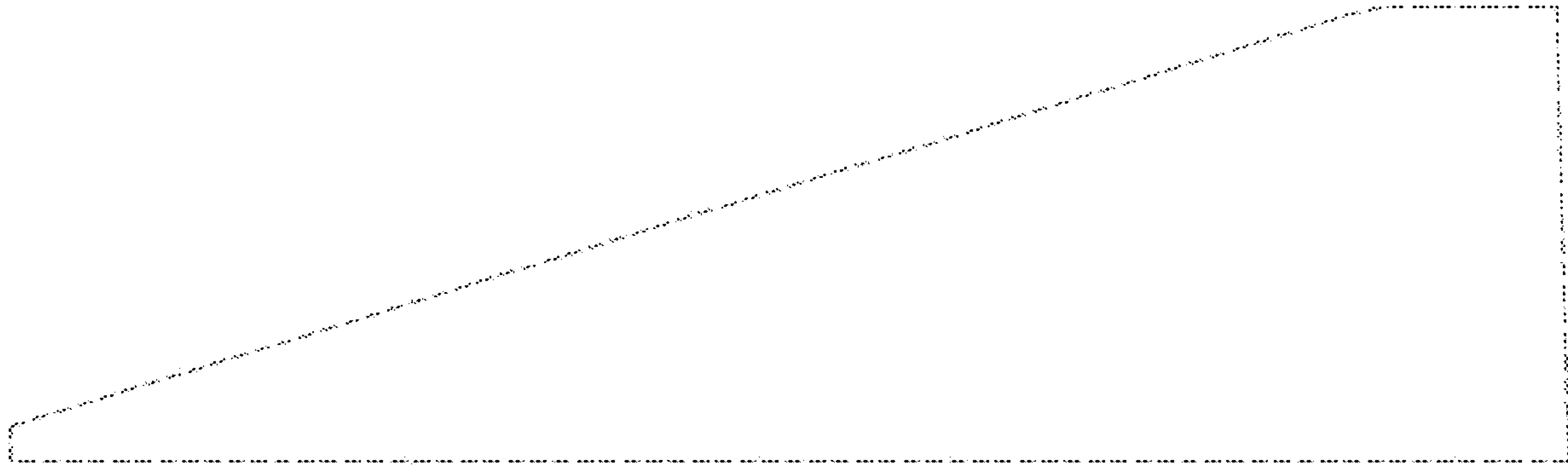


Fig. 4

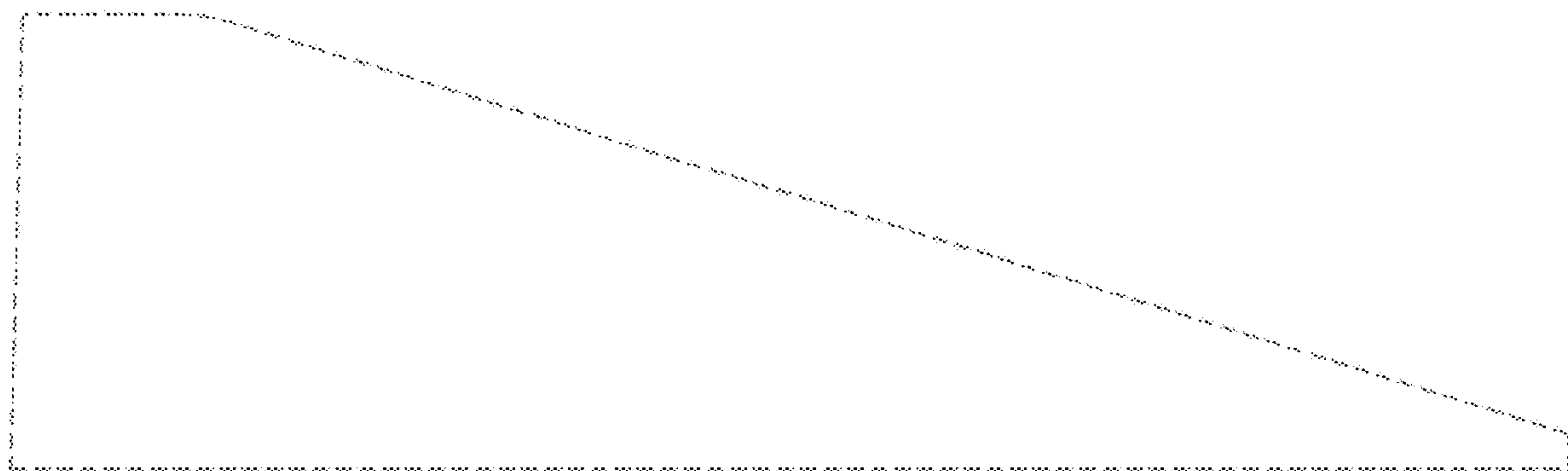


Fig. 5

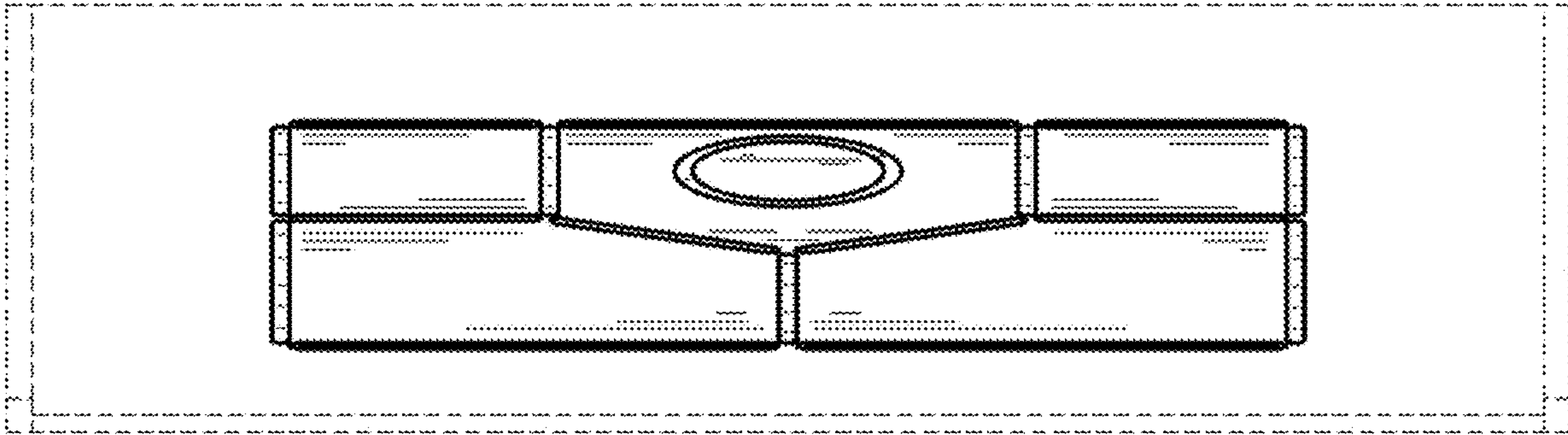


Fig. 6



Fig. 7