



US00D879227S

(12) **United States Design Patent**
August

(10) **Patent No.:** **US D879,227 S**
(45) **Date of Patent:** **** Mar. 24, 2020**

- (54) **BILLIARD ACCESSORY**
- (71) Applicant: **Scott Donald August**, Zeeland, MI (US)
- (72) Inventor: **Scott Donald August**, Zeeland, MI (US)
- (**) Term: **15 Years**
- (21) Appl. No.: **29/676,335**
- (22) Filed: **Jan. 10, 2019**
- (51) **LOC (12) Cl.** **21-01**
- (52) **U.S. Cl.**
USPC **D21/782**
- (58) **Field of Classification Search**
USPC D21/782, 784; D8/324, 325, 326, 327, D8/328; D2/639, 535, 837, 853; 473/2, 473/44, 48; 351/138; 211/68
CPC A63D 15/105; A63D 15/086; A63D 15/08; A63D 15/00; A63D 15/10
See application file for complete search history.

- D758,829 S * 6/2016 Bennett D8/328
- D762,942 S * 8/2016 Patulski D2/853
- D770,169 S * 11/2016 Patulski D3/215
- D773,110 S * 11/2016 Eboli B60Q 1/18
D26/138
- 10,480,711 B1 * 11/2019 Tran F16M 13/04
- 2007/0178981 A1 * 8/2007 Grainger A63D 15/105
473/42

- (56) **References Cited**
U.S. PATENT DOCUMENTS
211,416 A * 1/1879 Mointire A63D 15/105
473/42
774,862 A * 11/1904 Blackburn A63D 15/105
473/42
2,817,525 A * 12/1957 Niemann A63D 15/10
473/42
4,149,718 A * 4/1979 Russo A63D 15/105
473/42
5,671,040 A * 9/1997 Ming G02C 5/12
351/136
5,853,333 A * 12/1998 Patterson A63D 15/105
473/42
D486,193 S * 2/2004 Keller D21/726
D658,040 S * 4/2012 Ghatikar D8/354
D662,960 S * 7/2012 Krieter D16/203

OTHER PUBLICATIONS

“Betterline Billiard Cue Bridge”, posted Jun. 20, 2019 [online], [retrieved Jan. 4, 2020]. Retrieved from internet, https://www.amazon.com/BETTERLINE-Billiard-Bridge-Spider-Cross/product-reviews/B07G9R3526/ref=cm_cr_dp_d_show_all_btm?ie=UTF8&reviewerType=all_reviews.*

* cited by examiner

Primary Examiner — Kevin K Rudzinski
Assistant Examiner — Mehri F Bajoul
(74) *Attorney, Agent, or Firm* — King & Partners, PLC

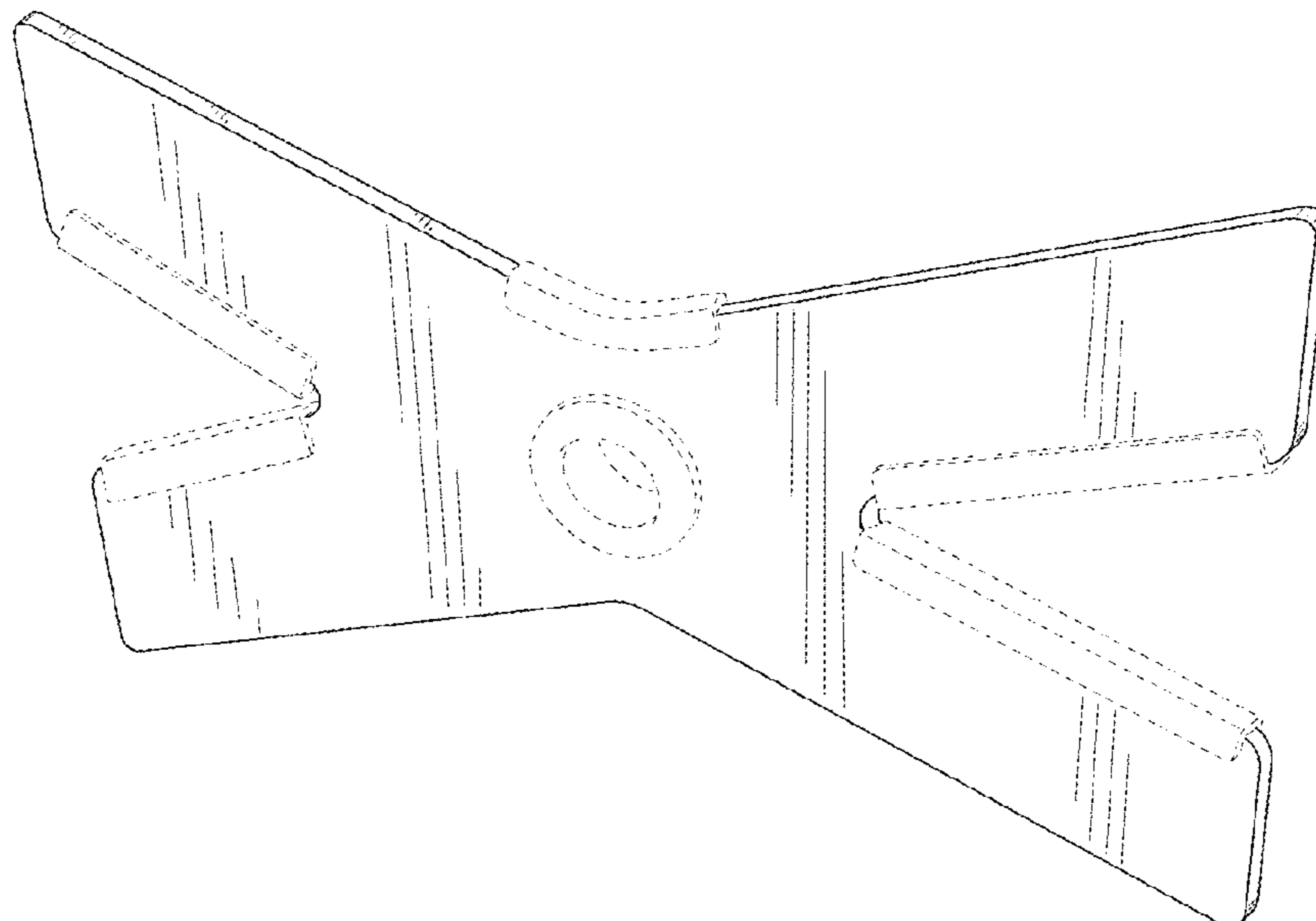
(57) **CLAIM**

The ornamental design for a billiard accessory, as shown and described.

DESCRIPTION

FIG. 1 is a front perspective view of a billiard accessory showing, in particular, the ornamental design thereof.
FIG. 2 is a front view of the billiard accessory of FIG. 1.
FIG. 3 is a rear view of the billiard accessory of FIG. 1.
FIG. 4 is a top plan view of the billiard accessory of FIG. 1.
FIG. 5 is a bottom view of the billiard accessory of FIG. 1.
FIG. 6 is a left side view of the billiard accessory of FIG. 1; and,
FIG. 7 is a right side view of the billiard accessory of FIG. 1.

1 Claim, 2 Drawing Sheets



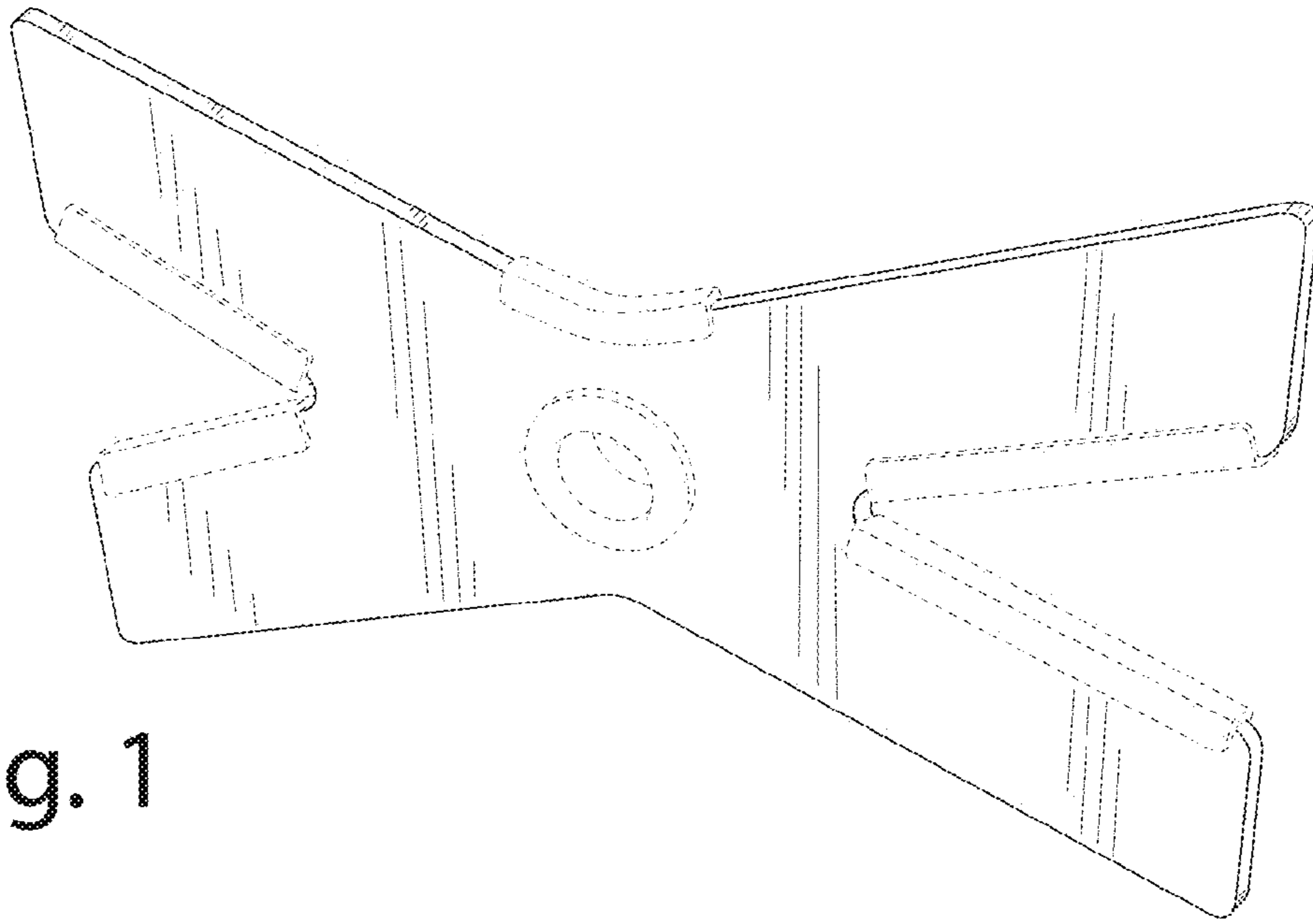


Fig. 1

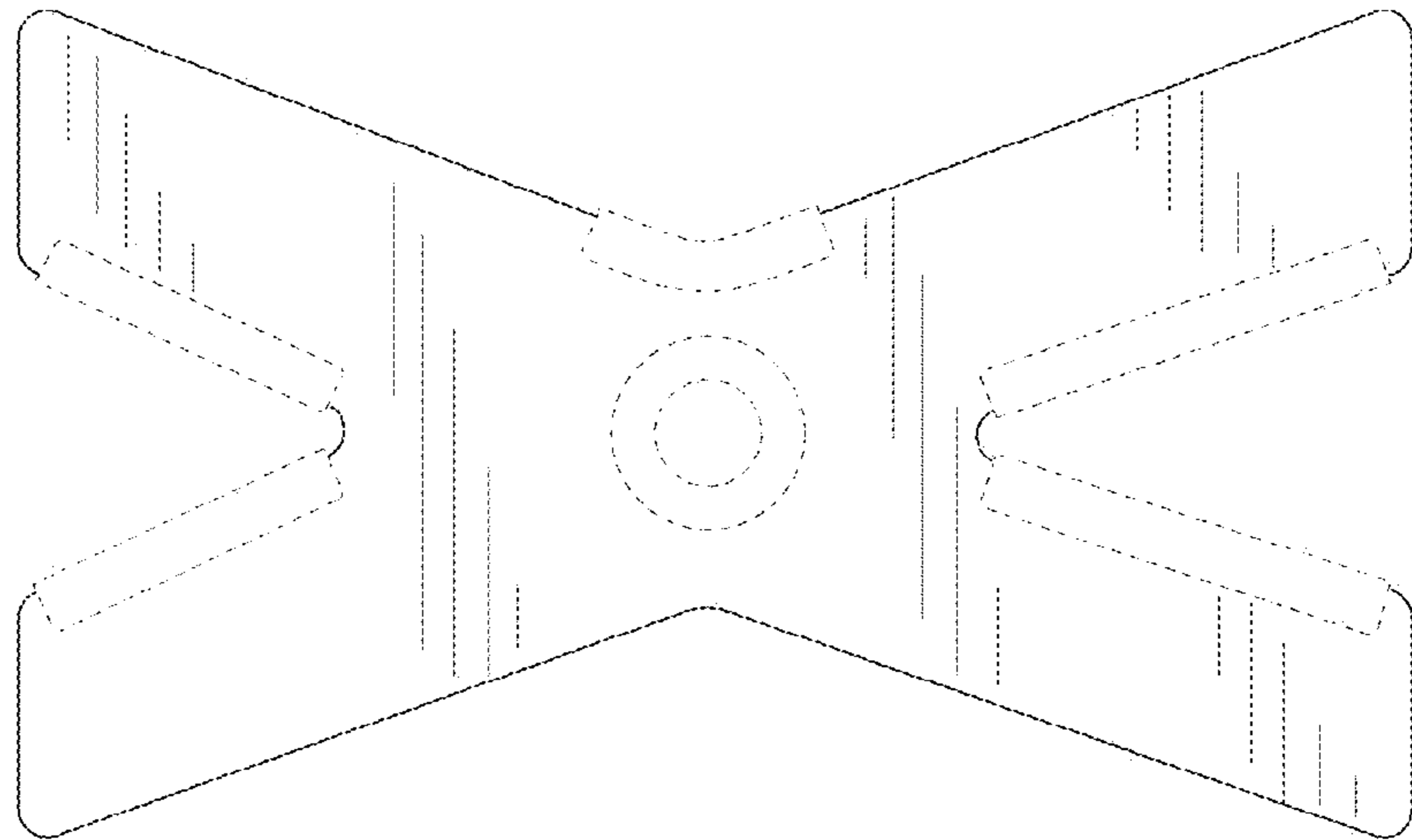


Fig. 2

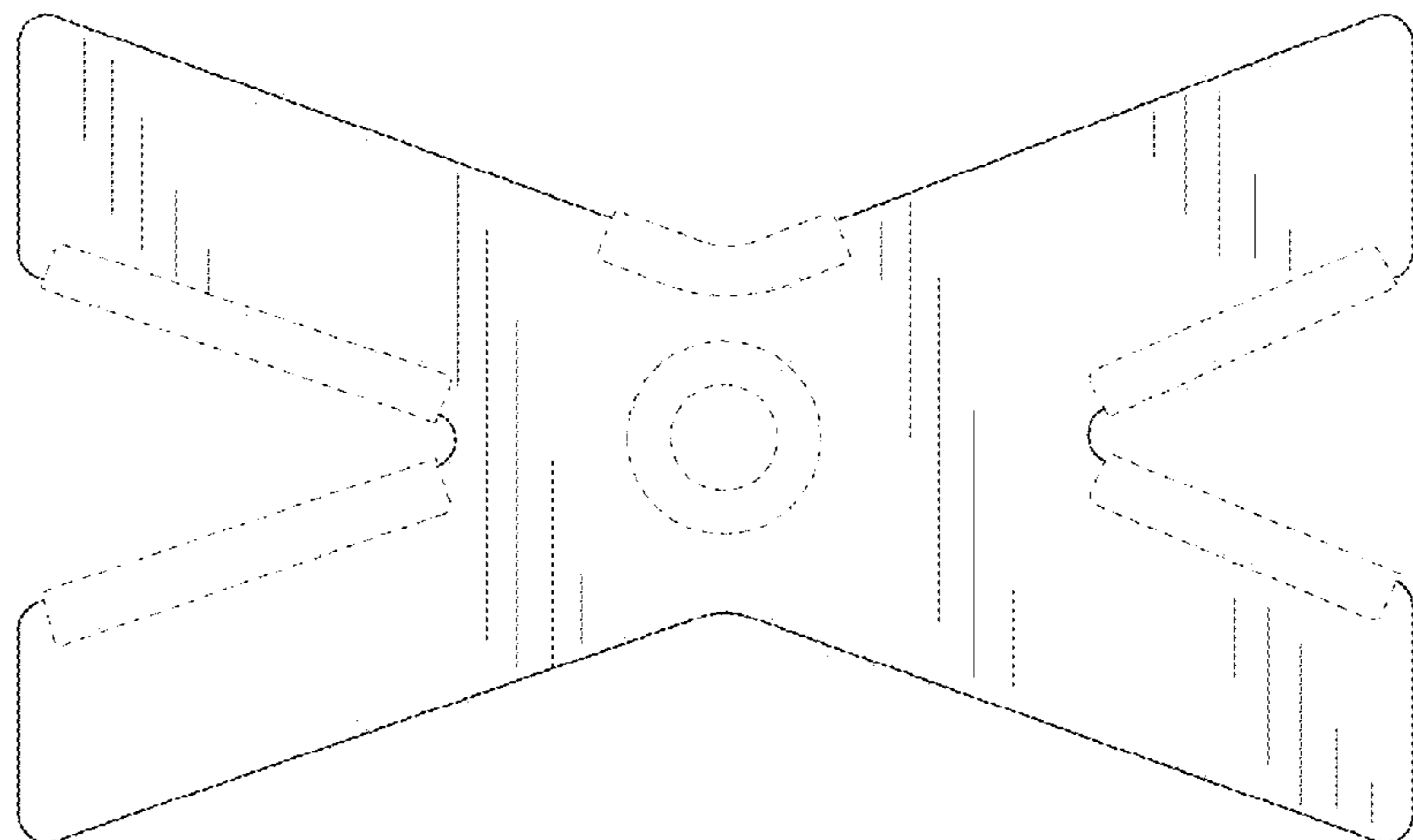


Fig. 3

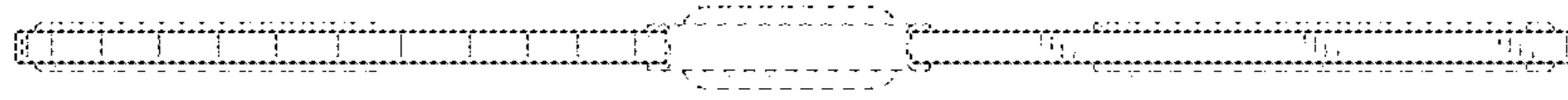


Fig. 4

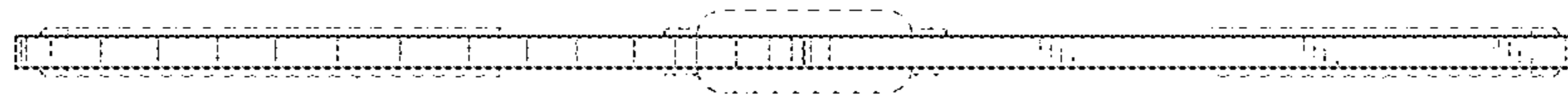


Fig. 5



Fig. 6



Fig. 7