



US00D879225S

(12) **United States Design Patent**
Li et al.

(10) **Patent No.:** **US D879,225 S**

(45) **Date of Patent:** **** Mar. 24, 2020**

- (54) **ELECTRIC SINGLE WHEEL BALANCING SCOOTER**
- (71) Applicant: **Zhejiang Jinbang Sports Equipment Co., Ltd., Lishui (CN)**
- (72) Inventors: **Yuanyong Li, Lishui (CN); Ke Xu, Lishui (CN); Yongqiang Xu, Lishui (CN)**
- (73) Assignee: **ZHEJIANG JINBANG SPORTS EQUIPMENT CO., LTD., Lishui (CN)**

8,308,171 B2 *	11/2012	Farrelly	A63C 17/01
				280/11.233
D699,802 S *	2/2014	Kim	D21/765
D865,891 S *	11/2019	Liu	D21/764
D867,504 S *	11/2019	Cao	D21/763
2005/0006859 A1 *	1/2005	Farrelly	A63C 17/04
				280/8
2006/0186617 A1 *	8/2006	Farrelly	A63C 17/01
				280/8
2009/0174163 A1 *	7/2009	Farrelly	A63C 17/06
				280/87.041
2010/0090423 A1 *	4/2010	Farrelly	A63C 17/01
				280/11.27
2018/0257732 A1 *	9/2018	Chen	B62K 11/007

(**) Term: **15 Years**

(21) Appl. No.: **29/677,222**

(22) Filed: **Jan. 18, 2019**

(30) **Foreign Application Priority Data**

Nov. 1, 2018 (CN) 2018 3 0614752

(51) **LOC (12) Cl.** **21-02**

(52) **U.S. Cl.**
USPC **D21/763; D21/765**

(58) **Field of Classification Search**
USPC D21/419, 423, 760, 763, 764, 765;
D12/1
CPC B62K 11/007; B62K 11/10; A63C 17/00;
A63C 17/004; A63C 17/01; A63C 17/04;
A63C 17/06; A63C 17/08; A63C 17/18
See application file for complete search history.

(56) **References Cited**

U.S. PATENT DOCUMENTS

D567,318 S *	4/2008	Farrelly	A63C 17/06
				D21/763
D610,643 S *	2/2010	Chen	D21/764

* cited by examiner

Primary Examiner — Cynthia M. Chin

(74) *Attorney, Agent, or Firm* — Bayramoglu Law Offices LLC

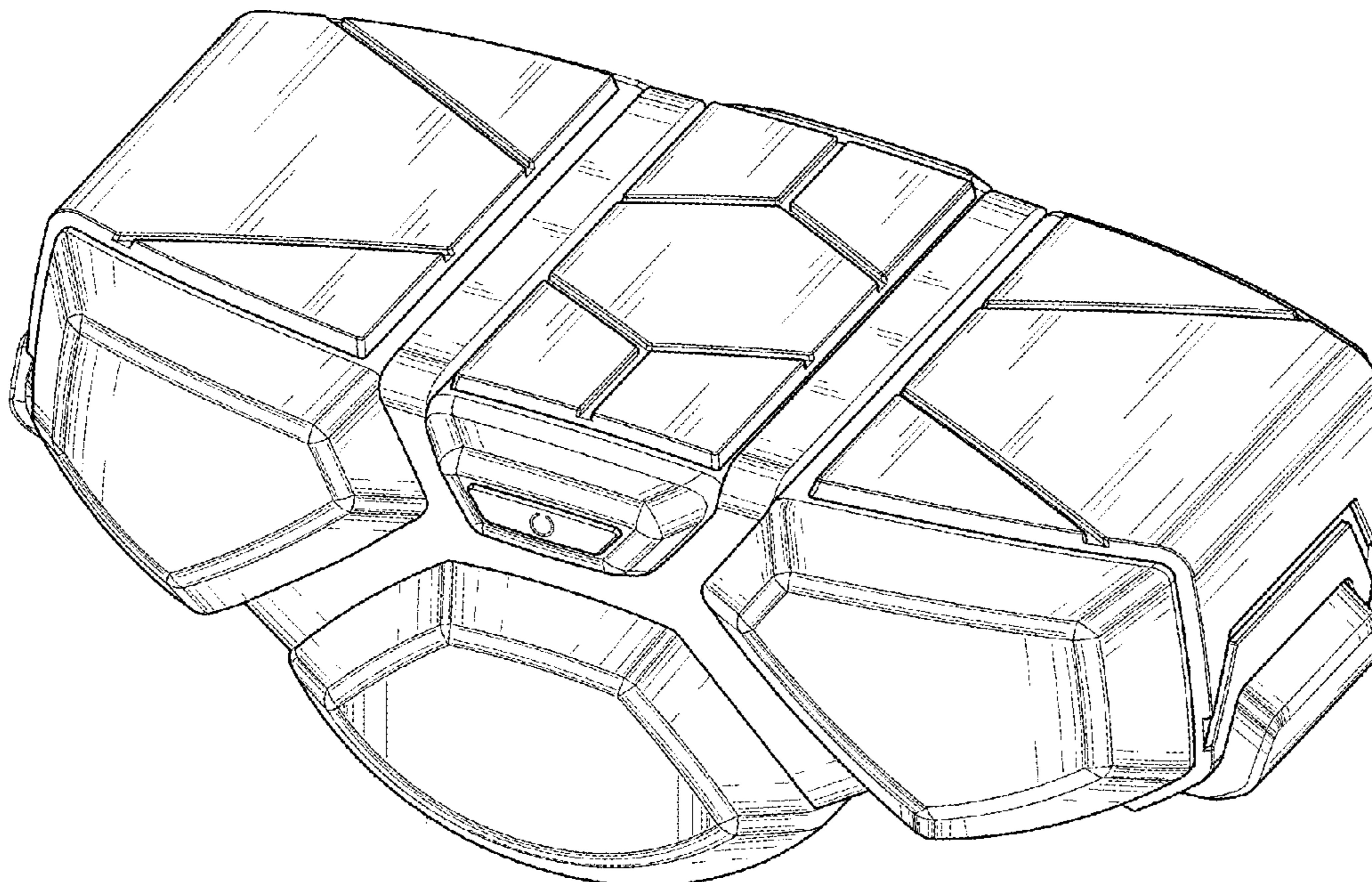
(57) **CLAIM**

The ornamental design for an electric single wheel balancing scooter, as shown and described.

DESCRIPTION

FIG. 1 is a perspective view of an electric single wheel balancing scooter showing the new design;
FIG. 2 is a front view thereof;
FIG. 3 is a rear view thereof;
FIG. 4 is a left side view thereof;
FIG. 5 is a right side view thereof;
FIG. 6 is a top view thereof;
FIG. 7 is a bottom view thereof; and,
FIG. 8 is another perspective view thereof.

1 Claim, 8 Drawing Sheets



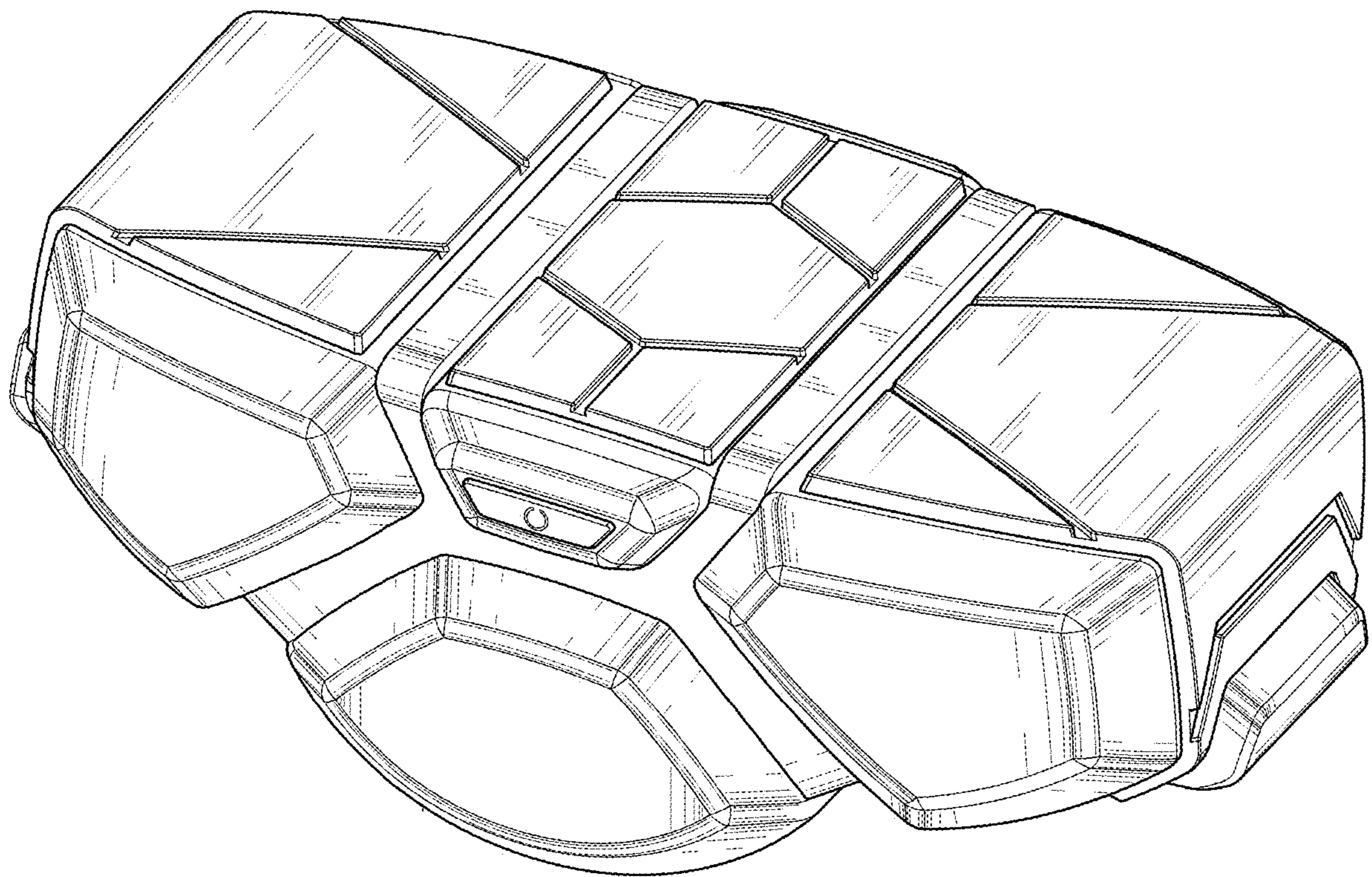


Fig. 1

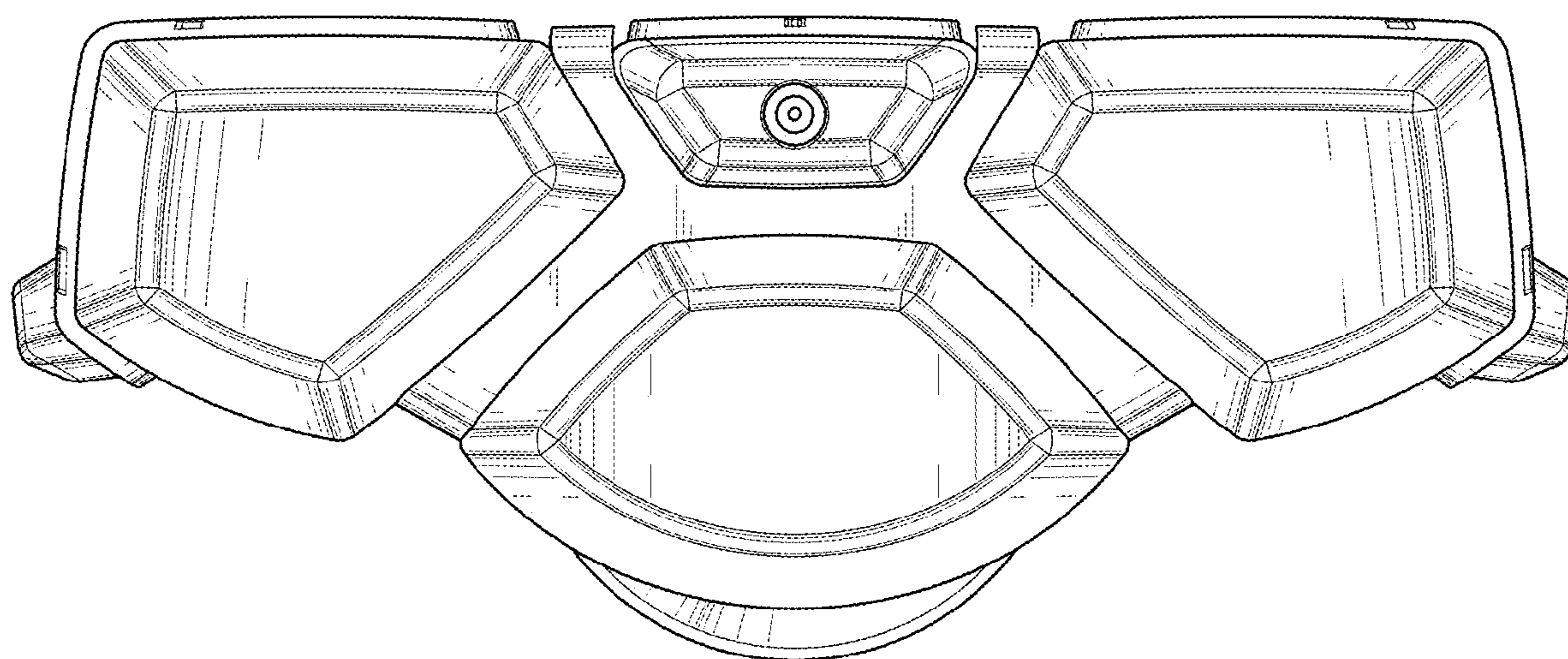


Fig. 2

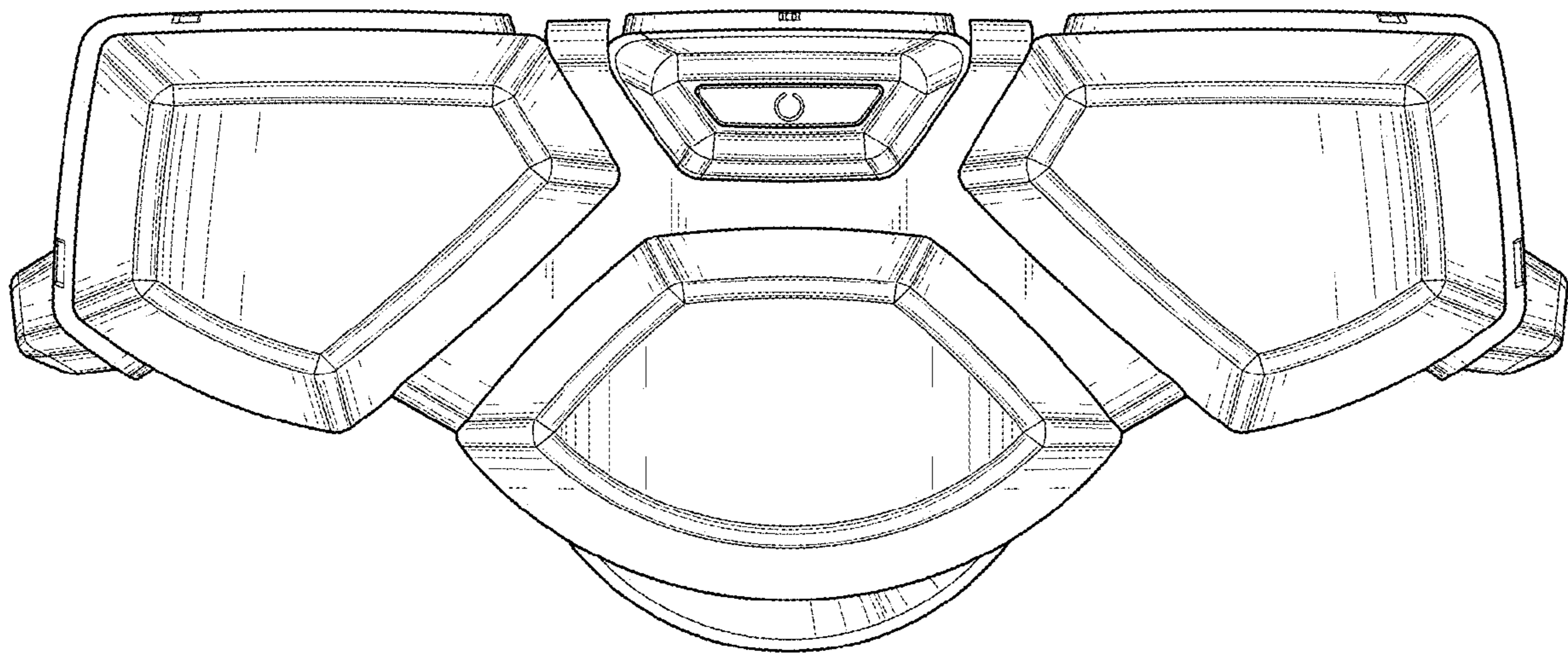


Fig. 3

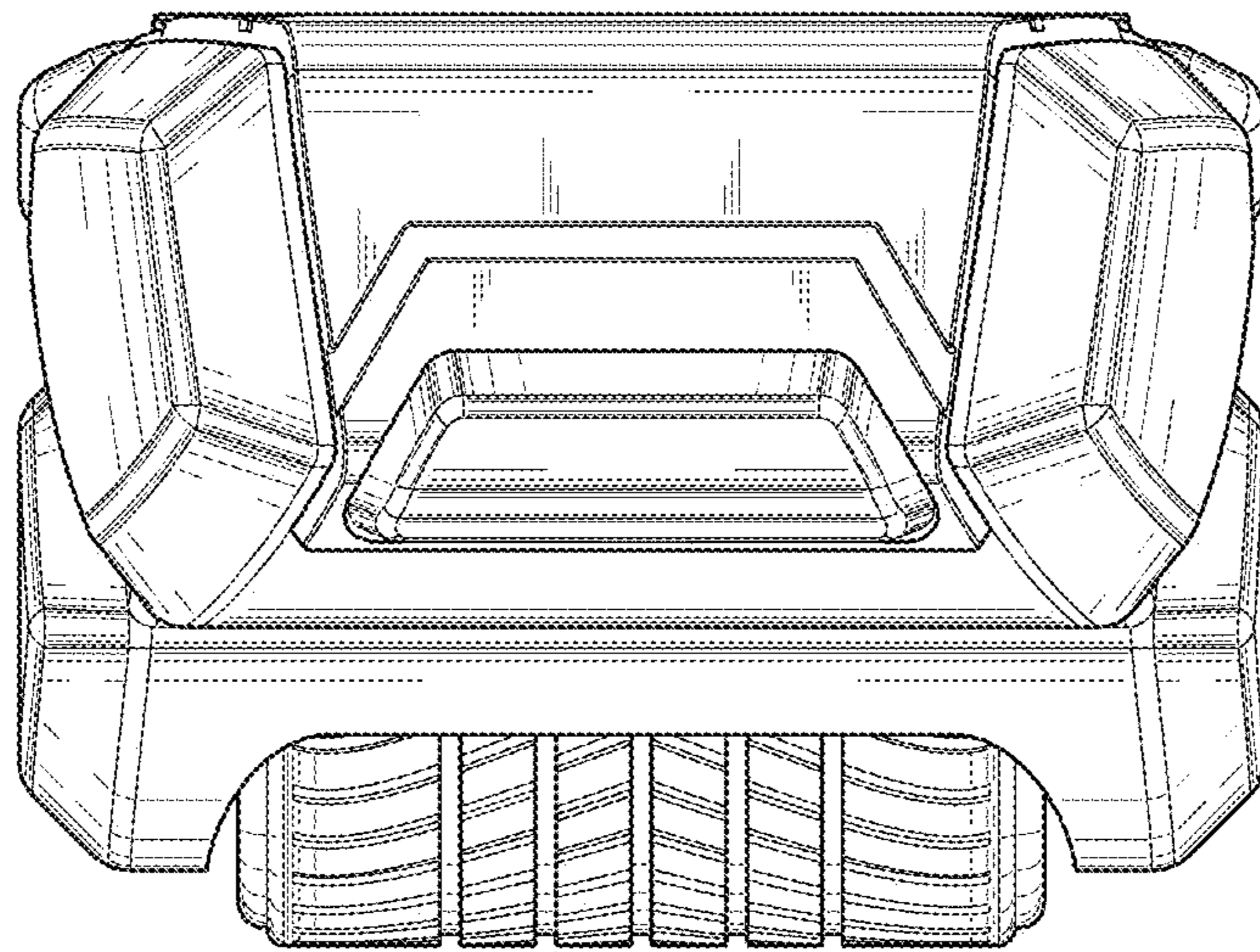


Fig. 4

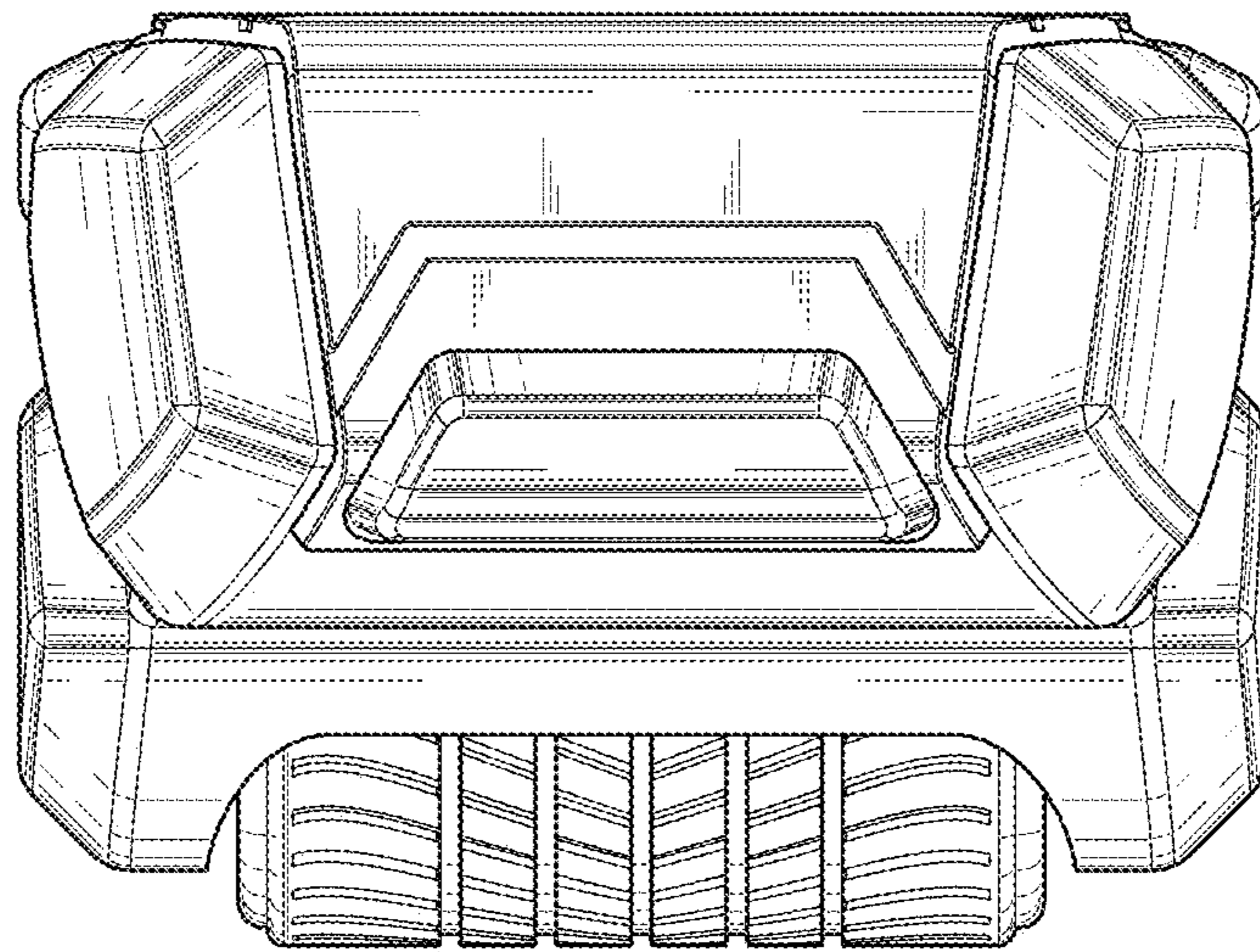


Fig. 5

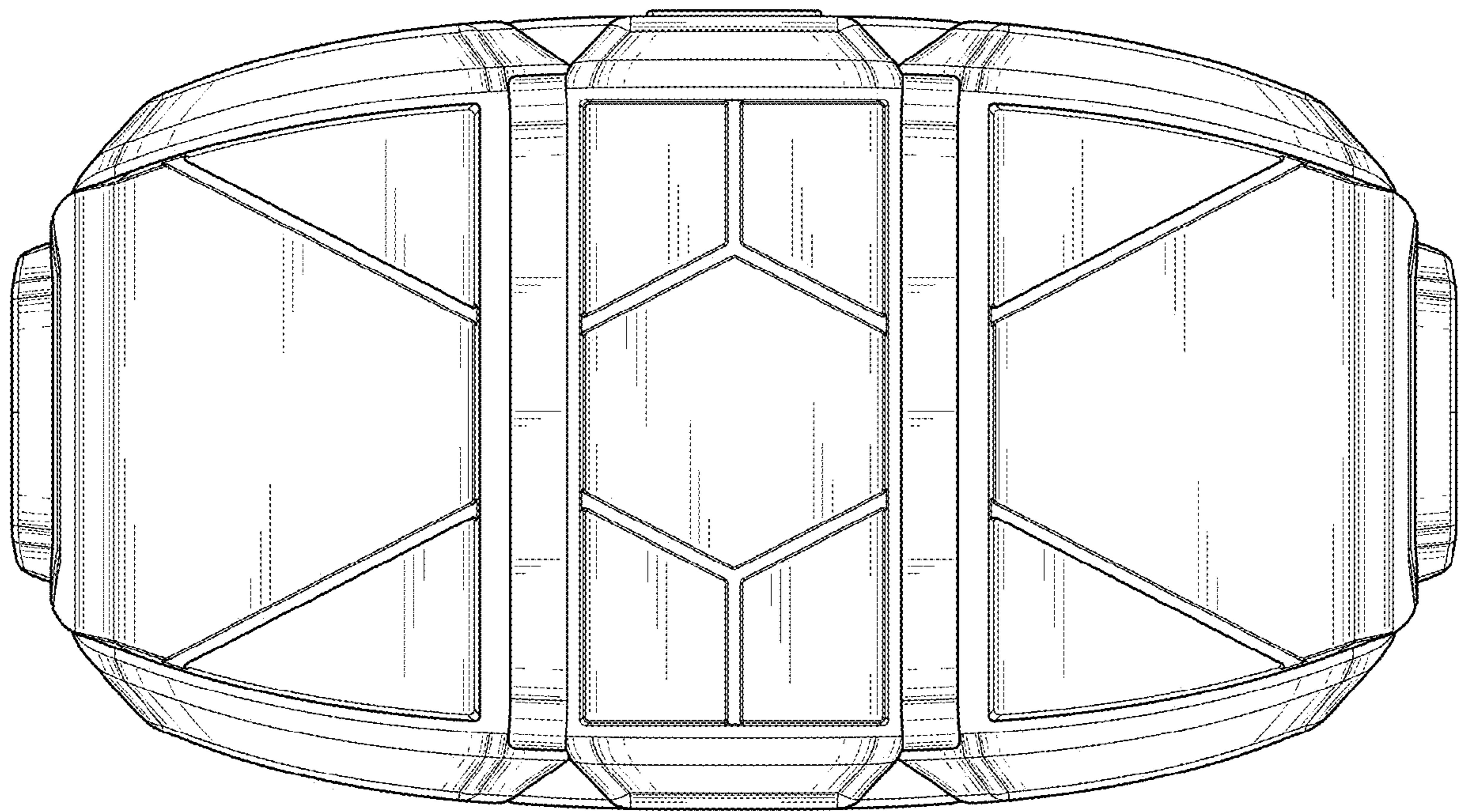


Fig. 6

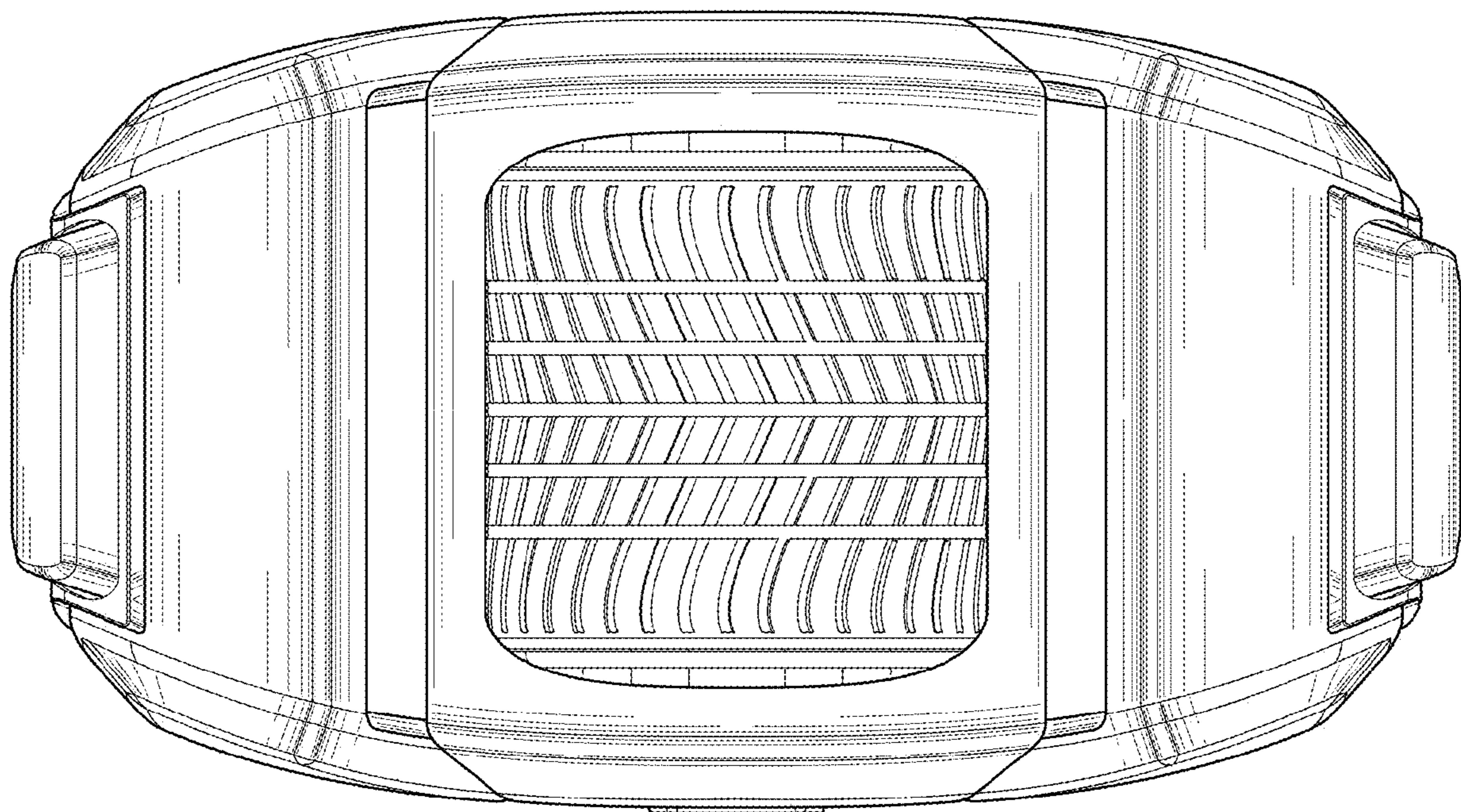


Fig. 7

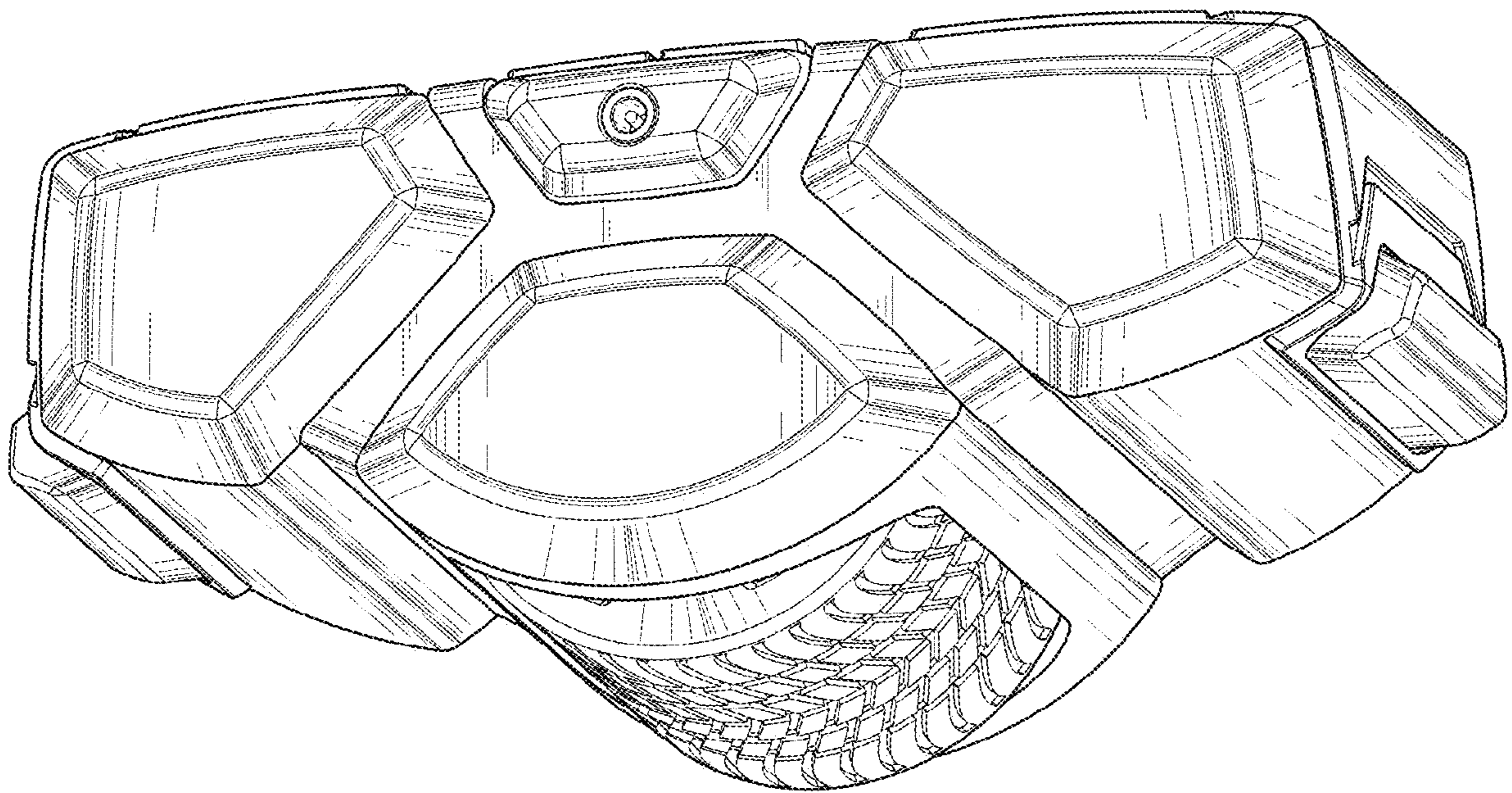


Fig. 8