



US00D879224S

(12) **United States Design Patent**
Li et al.

(10) **Patent No.:** **US D879,224 S**
(45) **Date of Patent:** **** Mar. 24, 2020**

(54) **ELECTRIC SELF-BALANCING SCOOTER**
(71) Applicant: **Zhejiang Jinbang Sports Equipment Co., Ltd.**, Lishui (CN)
(72) Inventors: **Yuanyong Li**, Lishui (CN); **Ke Xu**, Lishui (CN); **Yongqiang Xu**, Lishui (CN)
(73) Assignee: **ZHEJIANG JINBANG SPORTS EQUIPMENT CO., LTD.**, Lishui (CN)
(**) Term: **15 Years**

8,308,171 B2 * 11/2012 Farrelly A63C 17/01
280/11.233
D699,802 S * 2/2014 Kim D21/765
D865,891 S * 11/2019 Liu D21/764
D867,504 S * 11/2019 Cao D21/763
2005/0006859 A1 * 1/2005 Farrelly A63C 17/04
280/8
2006/0186617 A1 * 8/2006 Farrelly A63C 17/01
280/8
2009/0174163 A1 * 7/2009 Farrelly A63C 17/06
280/87.041
2010/0090423 A1 * 4/2010 Farrelly A63C 17/01
280/11.27
2018/0257732 A1 * 9/2018 Chen B62K 11/007

* cited by examiner

(21) Appl. No.: **29/677,220**

(22) Filed: **Jan. 18, 2019**

(30) **Foreign Application Priority Data**

Nov. 1, 2018 (CN) 2018 3 0614751

(51) **LOC (12) Cl.** **21-02**

(52) **U.S. Cl.**
USPC **D21/763; D21/765**

(58) **Field of Classification Search**
USPC D21/419, 423, 760, 763, 764, 765;
D12/1
CPC B62K 11/007; B62K 11/10; A63C 17/00;
A63C 17/004; A63C 17/01; A63C 17/04;
A63C 17/06; A63C 17/08; A63C 17/18
See application file for complete search history.

(56) **References Cited**

U.S. PATENT DOCUMENTS

D567,318 S * 4/2008 Farrelly A63C 17/06
D21/763
D610,643 S * 2/2010 Chen D21/764

Primary Examiner — Cynthia M. Chin
(74) *Attorney, Agent, or Firm* — Bayramoglu Law Offices LLC

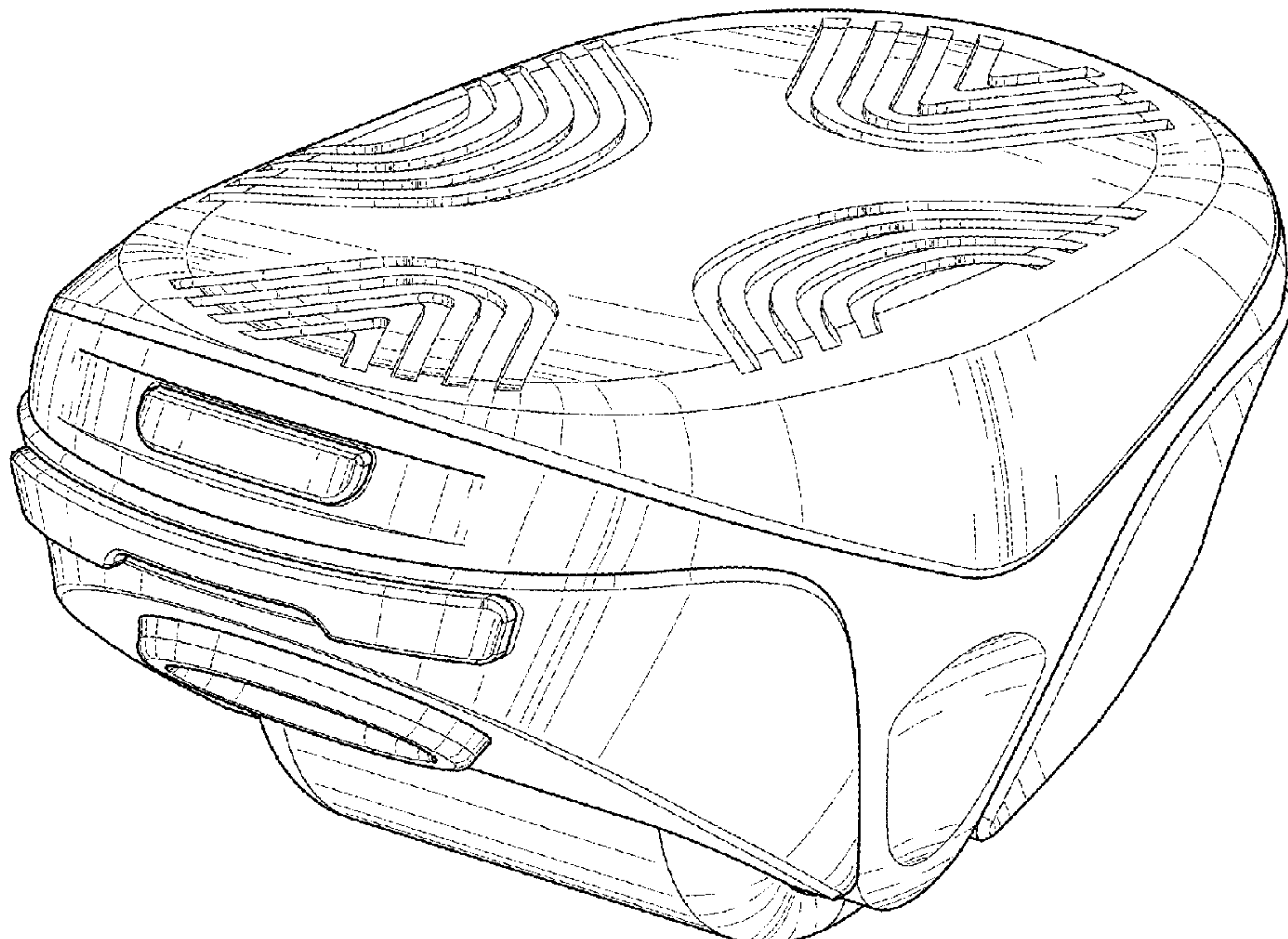
(57) **CLAIM**

The ornamental design for an electric self-balancing scooter, as shown and described.

DESCRIPTION

FIG. 1 is a perspective view of an electric self-balancing scooter showing the new design;
FIG. 2 is a front view thereof;
FIG. 3 is a rear view thereof;
FIG. 4 is a left side view thereof;
FIG. 5 is a right side view thereof;
FIG. 6 is a top view thereof;
FIG. 7 is a bottom view thereof; and,
FIG. 8 is another perspective view thereof.

1 Claim, 8 Drawing Sheets



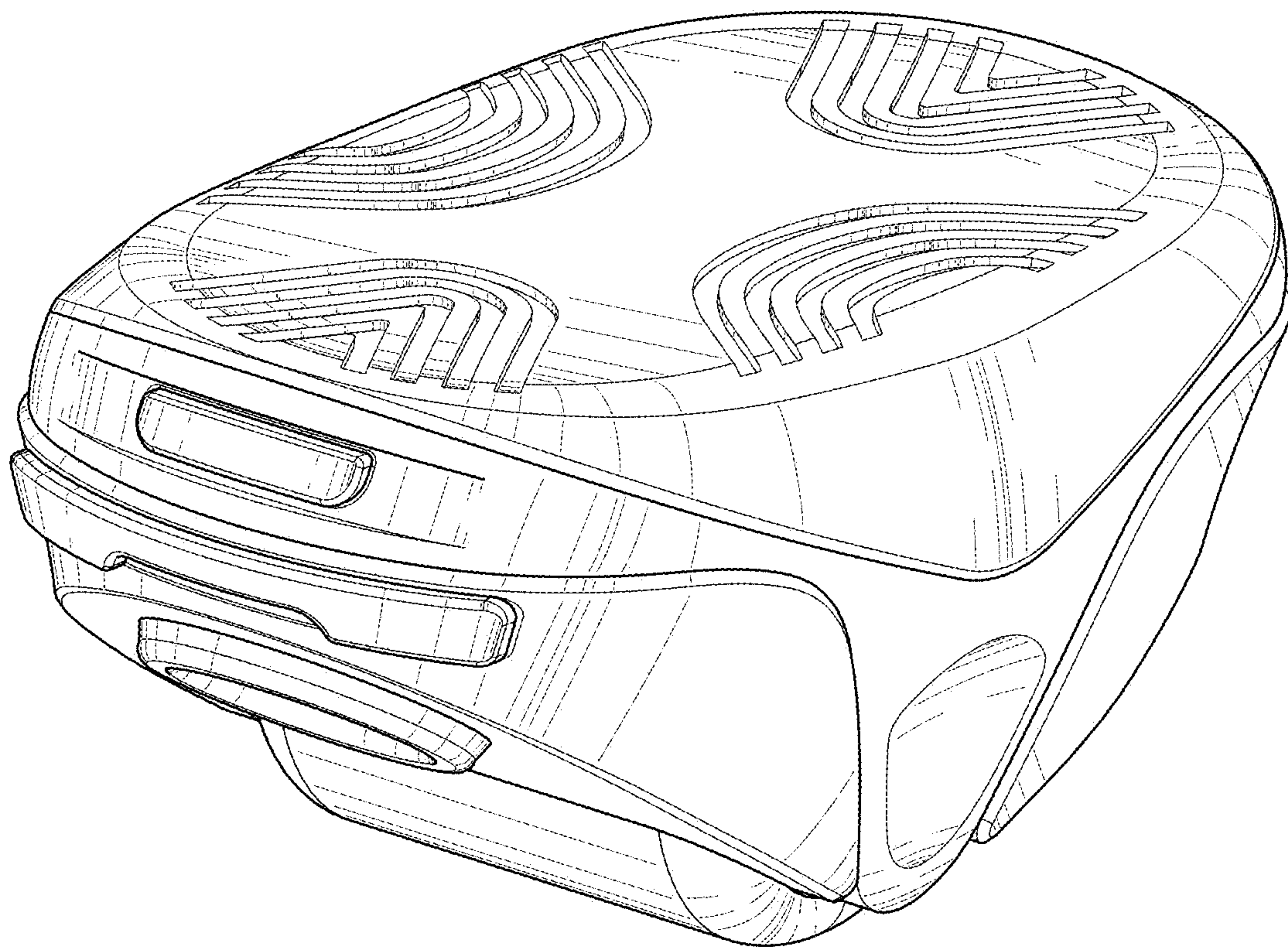


Fig. 1

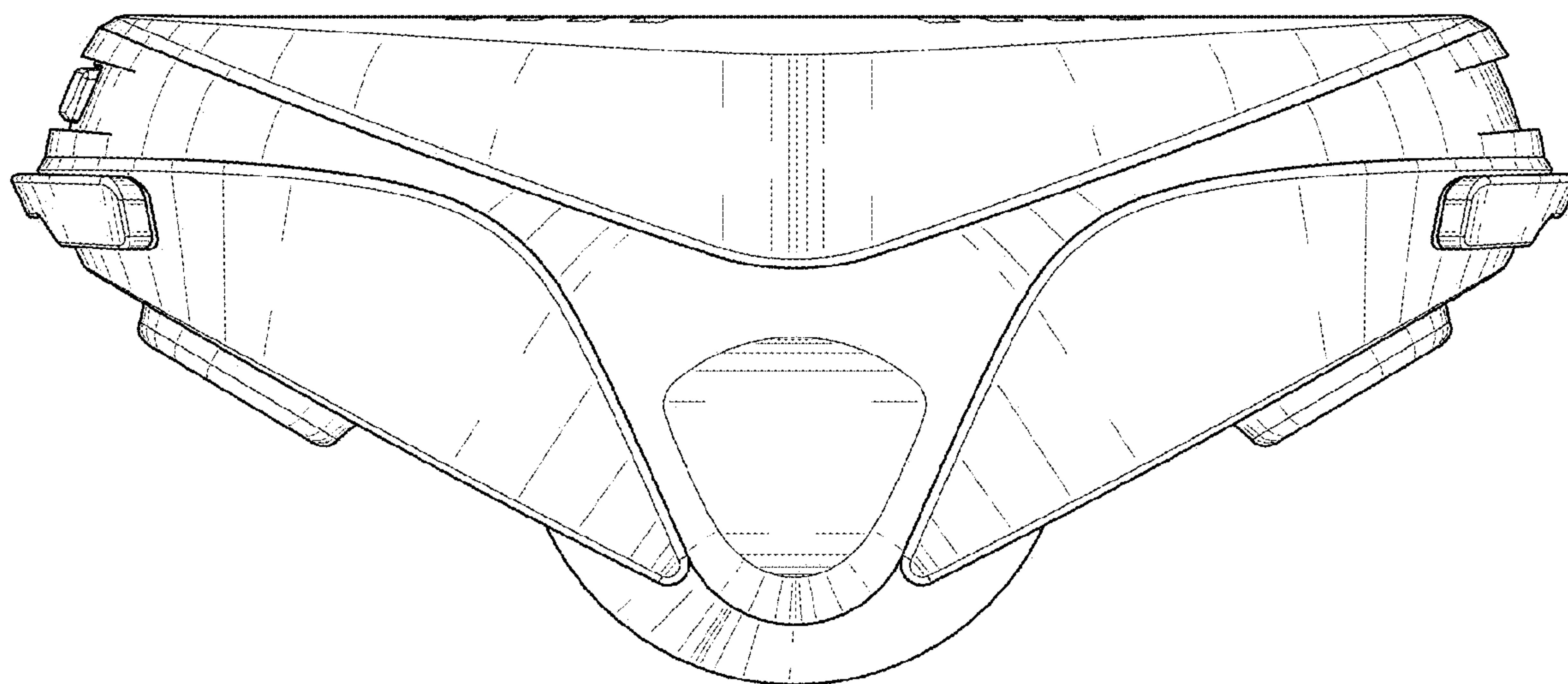


Fig. 2

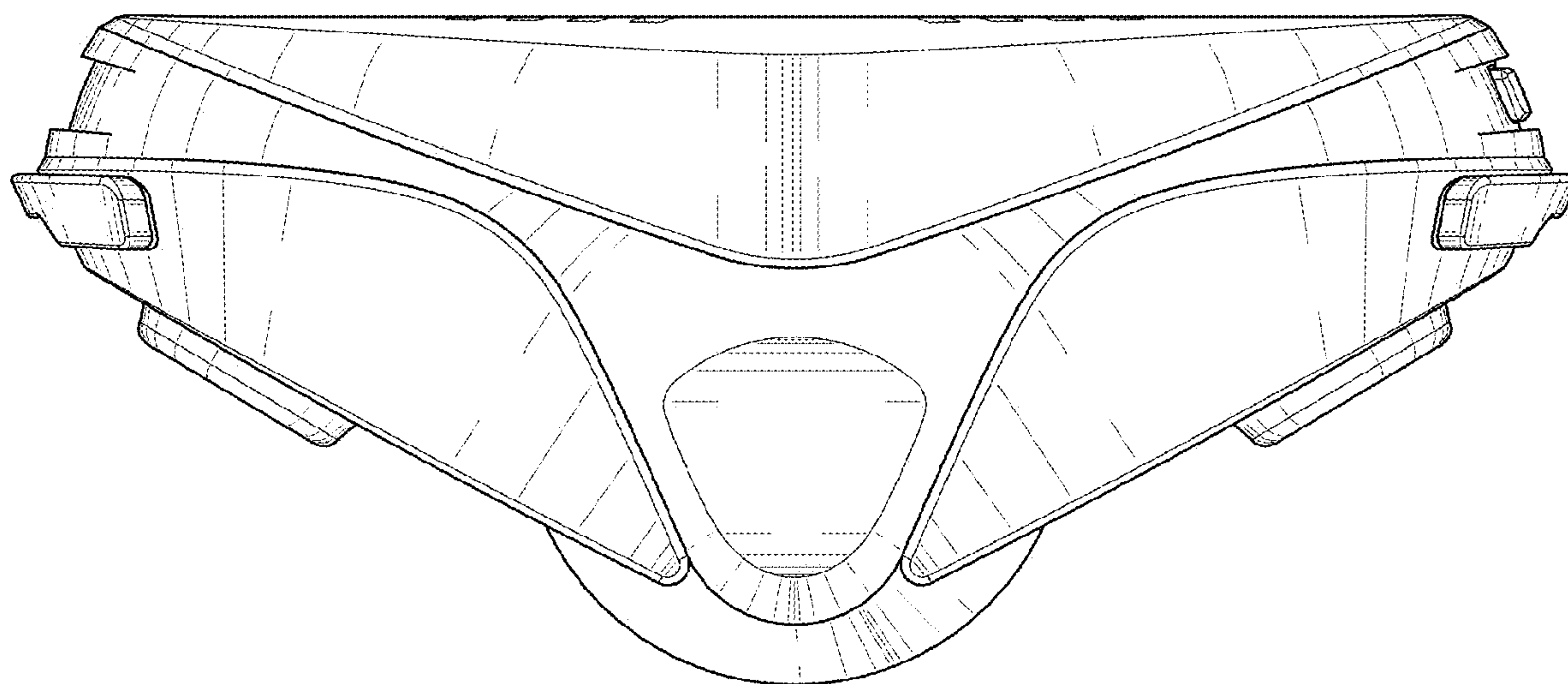


Fig. 3

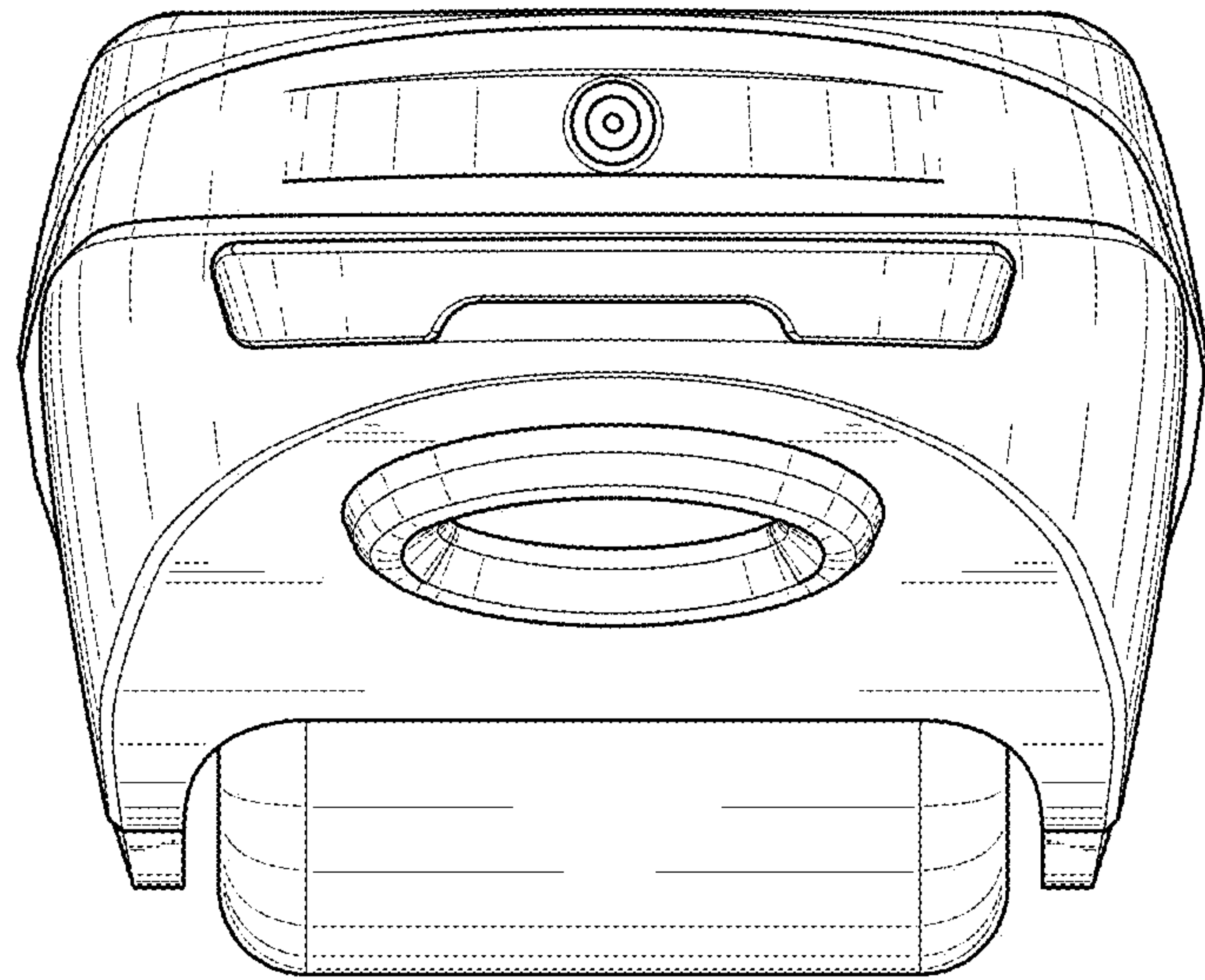


Fig. 4

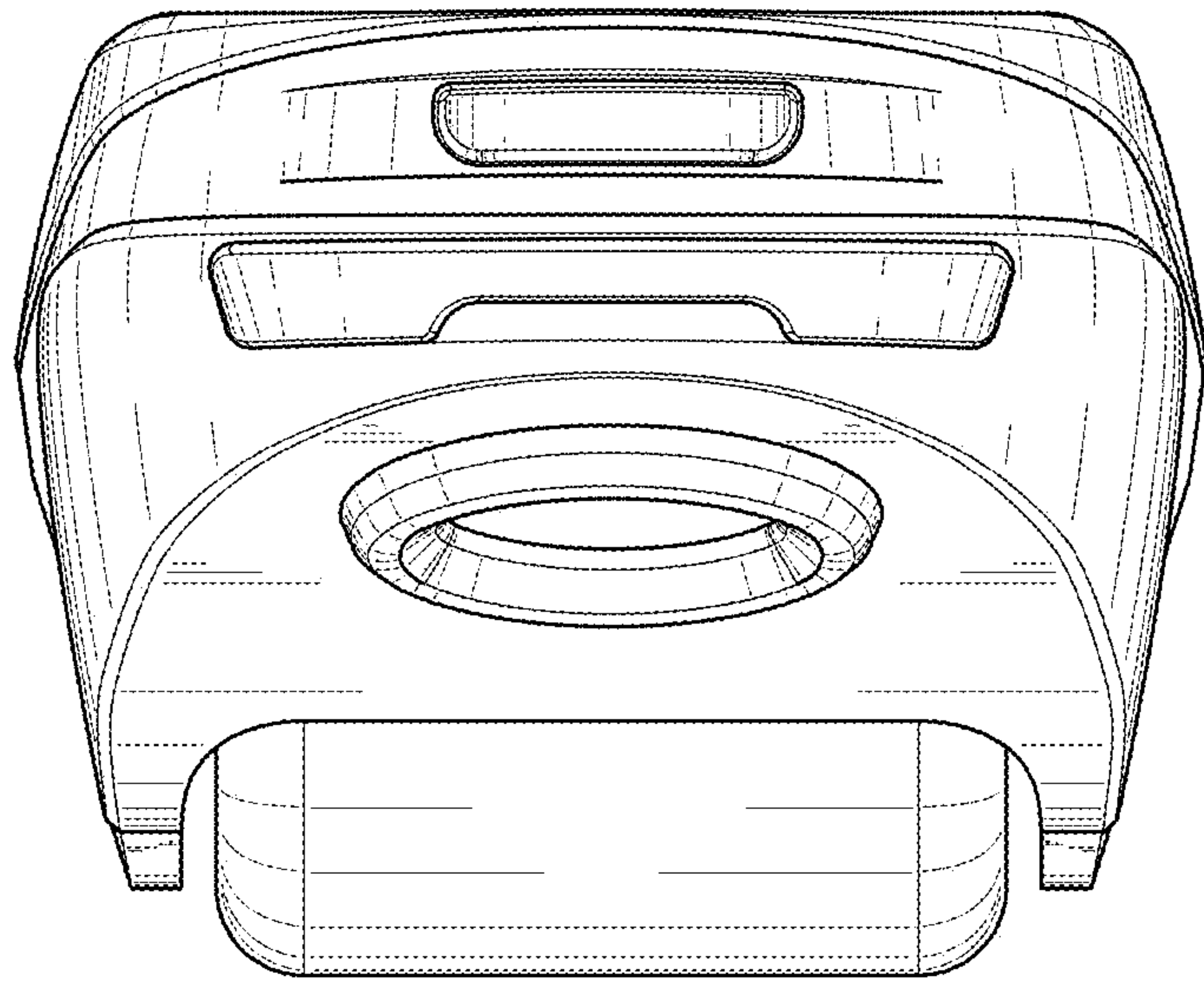


Fig. 5

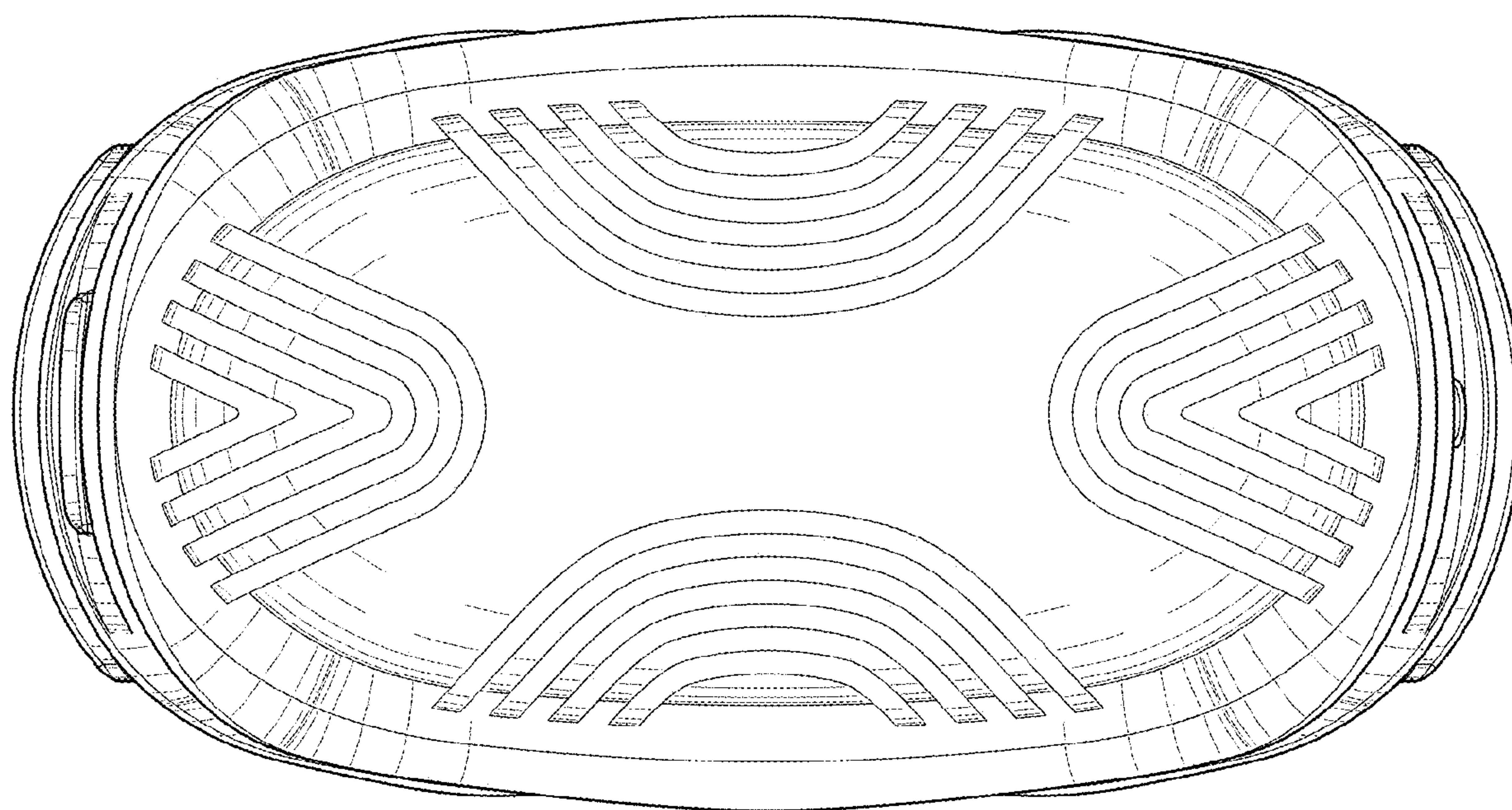


Fig. 6

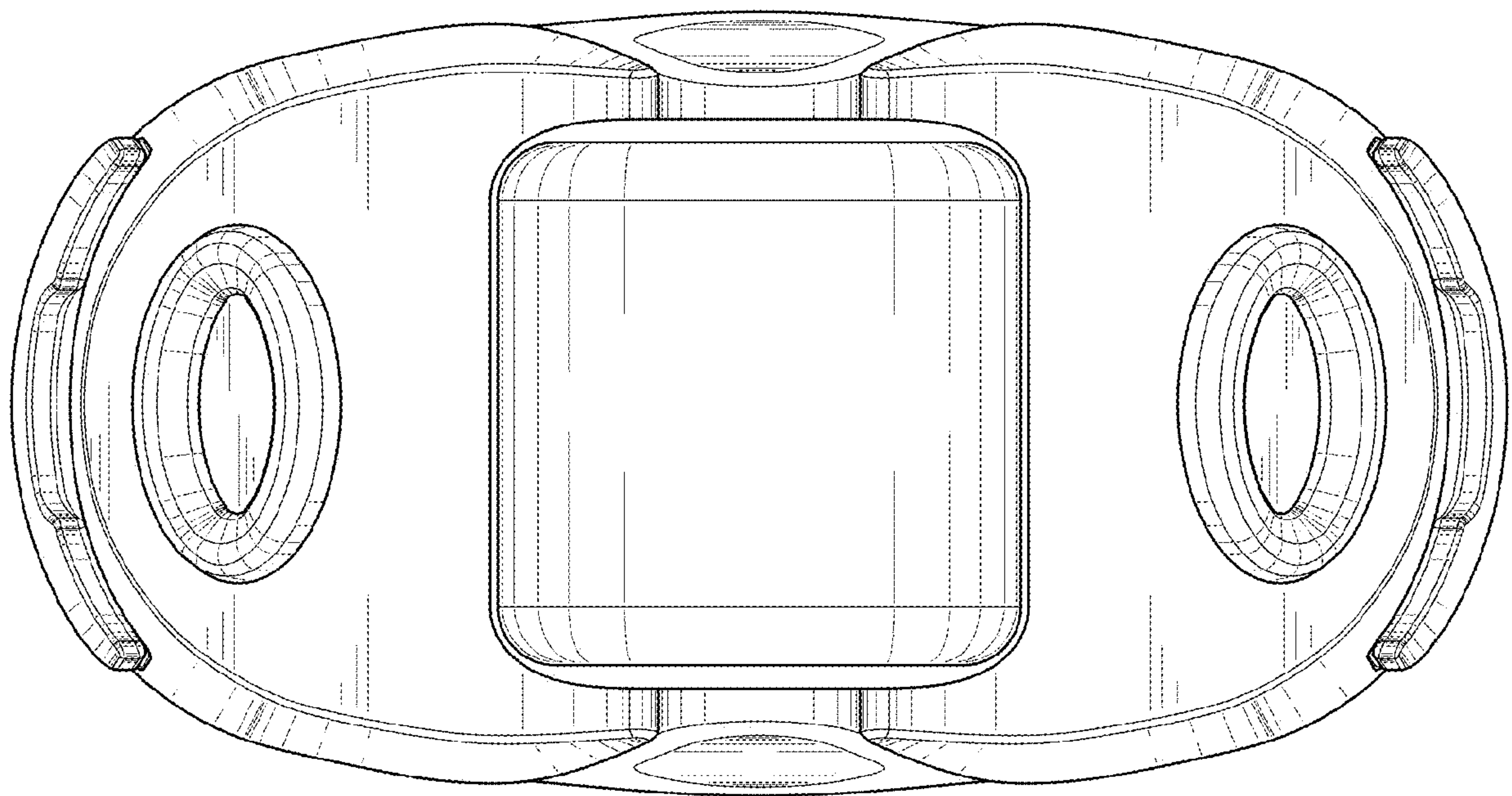


Fig. 7

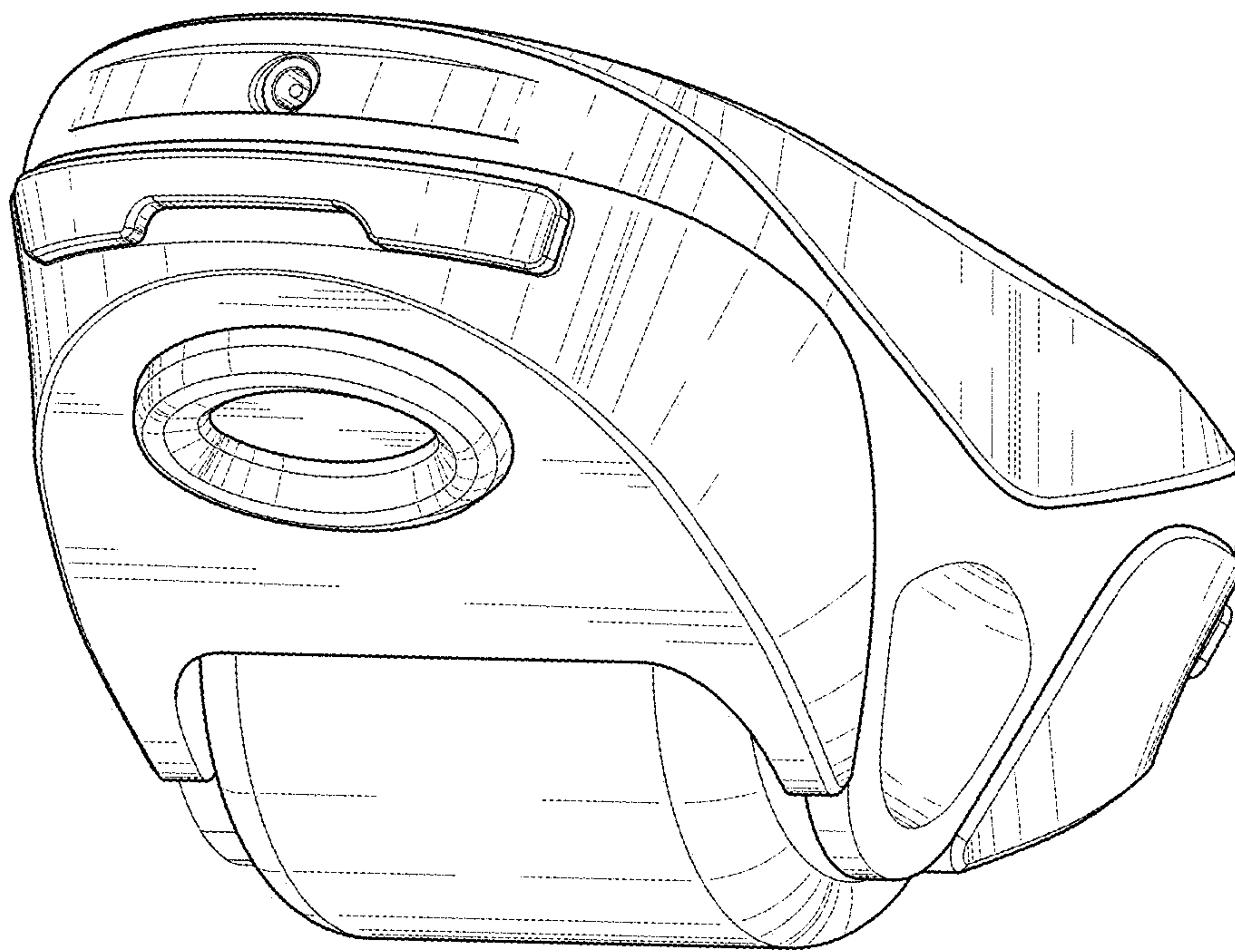


Fig. 8