



US00D879223S

(12) **United States Design Patent** (10) **Patent No.:** **US D879,223 S**
Serrano (45) **Date of Patent:** **** Mar. 24, 2020**

(54) **GOLF CLUB HEAD**
(71) Applicant: **KARSTEN MANUFACTURING CORPORATION**, Phoenix, AZ (US)
(72) Inventor: **Anthony D. Serrano**, Anthem, AZ (US)
(73) Assignee: **Karsten Manufacturing Corporation**, Phoenix, AZ (US)
(**) Term: **15 Years**
(21) Appl. No.: **29/668,692**
(22) Filed: **Nov. 1, 2018**
(51) **LOC (12) Cl.** **21-02**
(52) **U.S. Cl.**
USPC **D21/742**
(58) **Field of Classification Search**
USPC D21/736-746, 759
CPC A63B 53/00; A63B 53/04; A63B 53/007;
A63B 53/065; A63B 53/0487; A63B
60/00; A63B 60/46
See application file for complete search history.

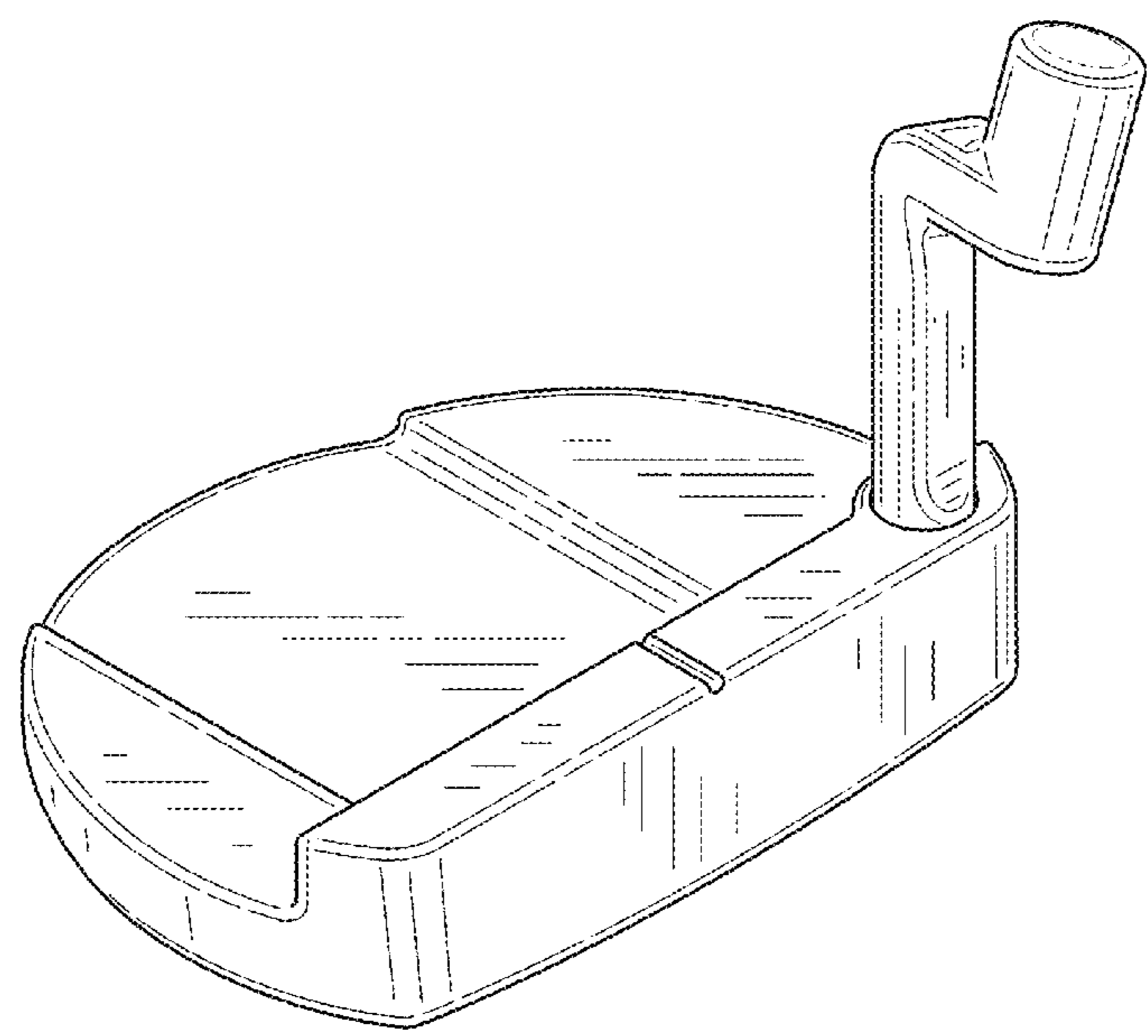
(56) **References Cited**
U.S. PATENT DOCUMENTS
3,884,477 A 5/1975 Bianco
4,030,766 A 6/1977 Derr
D316,129 S 4/1991 Bryson
D375,131 S * 10/1996 Williams D21/743
5,685,784 A 11/1997 Butler
D399,900 S 10/1998 Hogan
D400,610 S 11/1998 Cameron
D400,942 S 11/1998 Billings
6,159,108 A 12/2000 De La Pena
D445,860 S 7/2001 Mills
D447,197 S 8/2001 Mills
D455,805 S 4/2002 Mills
6,379,259 B1 4/2002 Opie

D461,514 S * 8/2002 Tang D21/742
D461,861 S * 8/2002 Tang D21/742
D474,253 S 5/2003 Mills
D474,520 S 5/2003 Mills
D488,200 S 4/2004 Olsavsky
D488,529 S 4/2004 Souza
D496,417 S 9/2004 Tang
D500,109 S 12/2004 Solheim
D500,110 S 12/2004 Solheim
6,837,801 B1 1/2005 Souza
6,878,071 B1 4/2005 Schweiger
6,893,355 B2 5/2005 Souza
6,902,496 B2 6/2005 Solheim
D507,612 S 7/2005 Souza
6,926,615 B1 8/2005 Souza
6,960,140 B2 11/2005 Solheim
6,966,845 B2 11/2005 Solheim
D520,584 S 5/2006 Karlsen
D521,582 S 5/2006 Souza
(Continued)

Primary Examiner — Mitchell I. Siegel
(57) **CLAIM**
The ornamental design for a golf club head, as shown and described.

DESCRIPTION
FIG. 1 is a top perspective view of a golf club head;
FIG. 2 is a bottom perspective view of the golf club head of FIG. 1;
FIG. 3 is a top view of the golf club head of FIG. 1;
FIG. 4 is a bottom view of the golf club head of FIG. 1;
FIG. 5 is a front view of the golf club head of FIG. 1;
FIG. 6 is a rear view of the golf club head of FIG. 1;
FIG. 7 is a heel side view of the golf club head of FIG. 1;
and,
FIG. 8 is a toe side view of the golf club head of FIG. 1.
The broken line showing is included for the purpose of illustrating unclaimed subject matter and forms no part of the claimed design.

1 Claim, 4 Drawing Sheets



(56)

References Cited

U.S. PATENT DOCUMENTS

7,052,411 B2	5/2006	Solheim	7,803,066 B2	9/2010	Solheim	
D522,598 S	6/2006	Solheim	D634,801 S	3/2011	Rollinson	
7,077,758 B2	7/2006	Rohrer	D638,891 S	5/2011	Nicolette	
7,086,957 B2	8/2006	Solheim	D640,341 S	6/2011	Foster	
D527,777 S	9/2006	Solheim	D643,080 S	8/2011	Serrano	
D529,108 S	9/2006	Stites	D643,485 S	8/2011	Nicolette	
D532,468 S	11/2006	Hettinger	D643,486 S	8/2011	Serrano	
D532,847 S	11/2006	Rollinson	D643,487 S	8/2011	Serrano	
D533,243 S	12/2006	Fife	D648,408 S	11/2011	Teramoto	
7,235,021 B2	6/2007	Solheim	8,100,779 B2	1/2012	Solheim	
D548,295 S	8/2007	Jertson	D653,718 S *	2/2012	Stokke	D21/743
7,255,650 B2	8/2007	Bryant	8,109,838 B2	2/2012	Solheim	
D552,197 S	10/2007	Wells	D664,617 S	7/2012	Serrano	
D565,137 S	3/2008	Oldknow	D691,681 S	10/2013	Hilton	
D569,460 S *	5/2008	Walker	D715,388 S *	10/2014	Serrano	D21/743
D569,462 S	5/2008	Rollinson	D723,641 S	3/2015	Serrano	
D571,879 S	6/2008	Jones et al.	D735,283 S	7/2015	Solheim	
D574,907 S	8/2008	Jones et al.	D741,427 S	10/2015	Broom	
D581,473 S	11/2008	Thomas	D750,186 S *	2/2016	Schweigert	D21/746
D583,003 S	12/2008	Solheim	D754,805 S	4/2016	Serrano	
D587,325 S	2/2009	Solheim	D759,173 S	6/2016	Rollinson	
D590,463 S	4/2009	Hettinger	D774,607 S *	12/2016	Serrano	D21/743
D591,806 S	5/2009	Cameron	D774,610 S *	12/2016	Serrano	D21/744
D594,073 S	6/2009	Kadoya	D779,006 S	2/2017	Abbott	
D595,372 S	6/2009	Rollinson	D783,745 S *	4/2017	Chen	D21/743
D600,760 S	9/2009	Serrano	D793,502 S *	8/2017	Cardani	D21/743
D600,761 S	9/2009	Solheim	D827,064 S *	8/2018	Wypych	D21/743
D600,762 S	9/2009	Serrano	D840,482 S *	2/2019	Serrano	D21/736
D603,007 S	10/2009	Franklin	D842,952 S *	3/2019	Schweigert	D21/743
D607,950 S	1/2010	Souza	D848,562 S *	5/2019	Nicolette	D21/736
D621,458 S	8/2010	Serrano	D861,092 S *	9/2019	Glorioso	D21/743
D621,460 S	8/2010	Serrano	D864,325 S *	10/2019	Rollinson	D21/743
D621,461 S	8/2010	Serrano	2005/0170904 A1	8/2005	Smeeth	
D621,462 S	8/2010	Serrano	2006/0094533 A1	5/2006	Warren	
D621,891 S	8/2010	Serrano	2006/0166755 A1	7/2006	Brown	
			2007/0191135 A1	8/2007	Nilsson	
			2010/0227704 A1	9/2010	Souza	

* cited by examiner

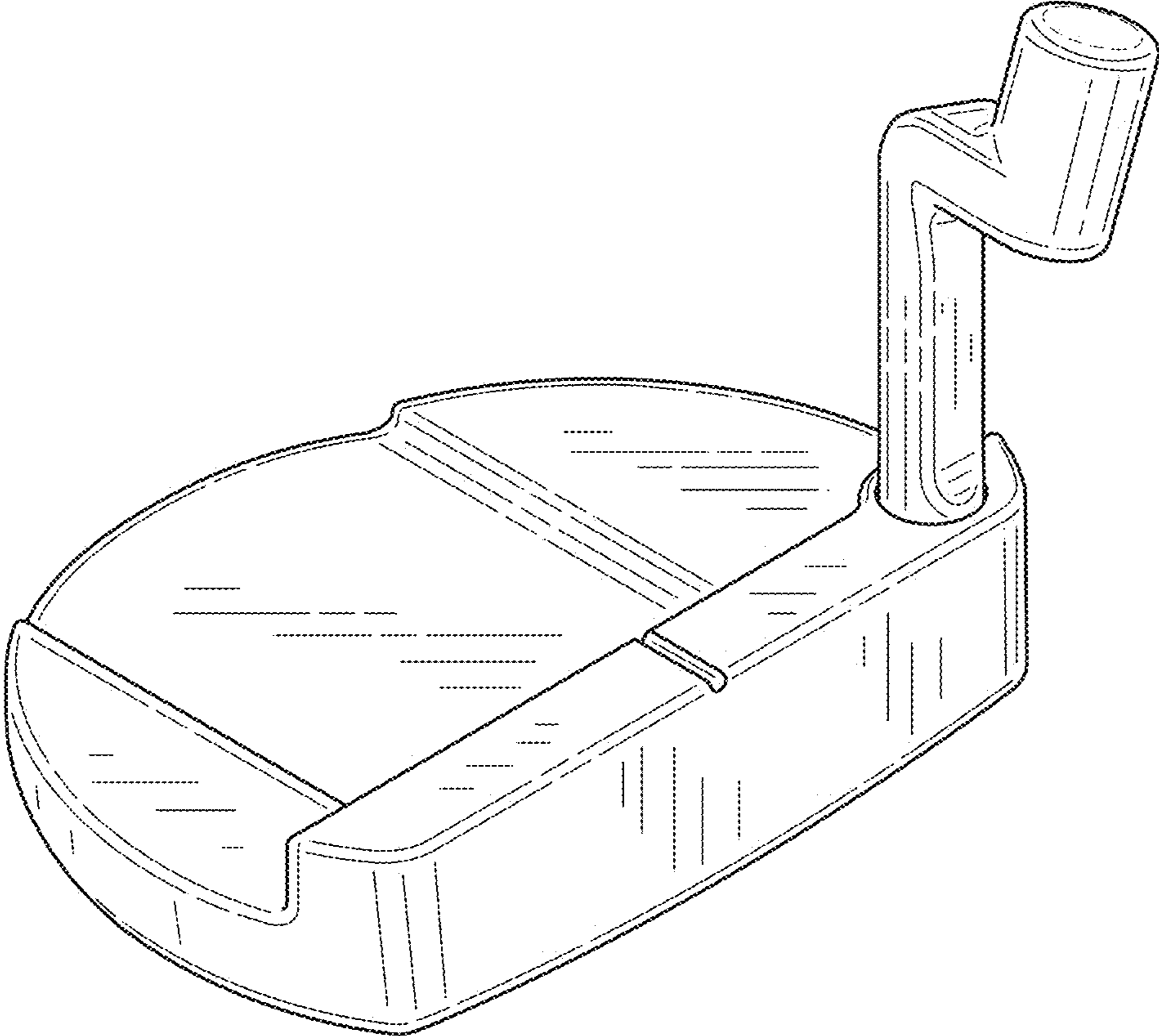


FIG. 1

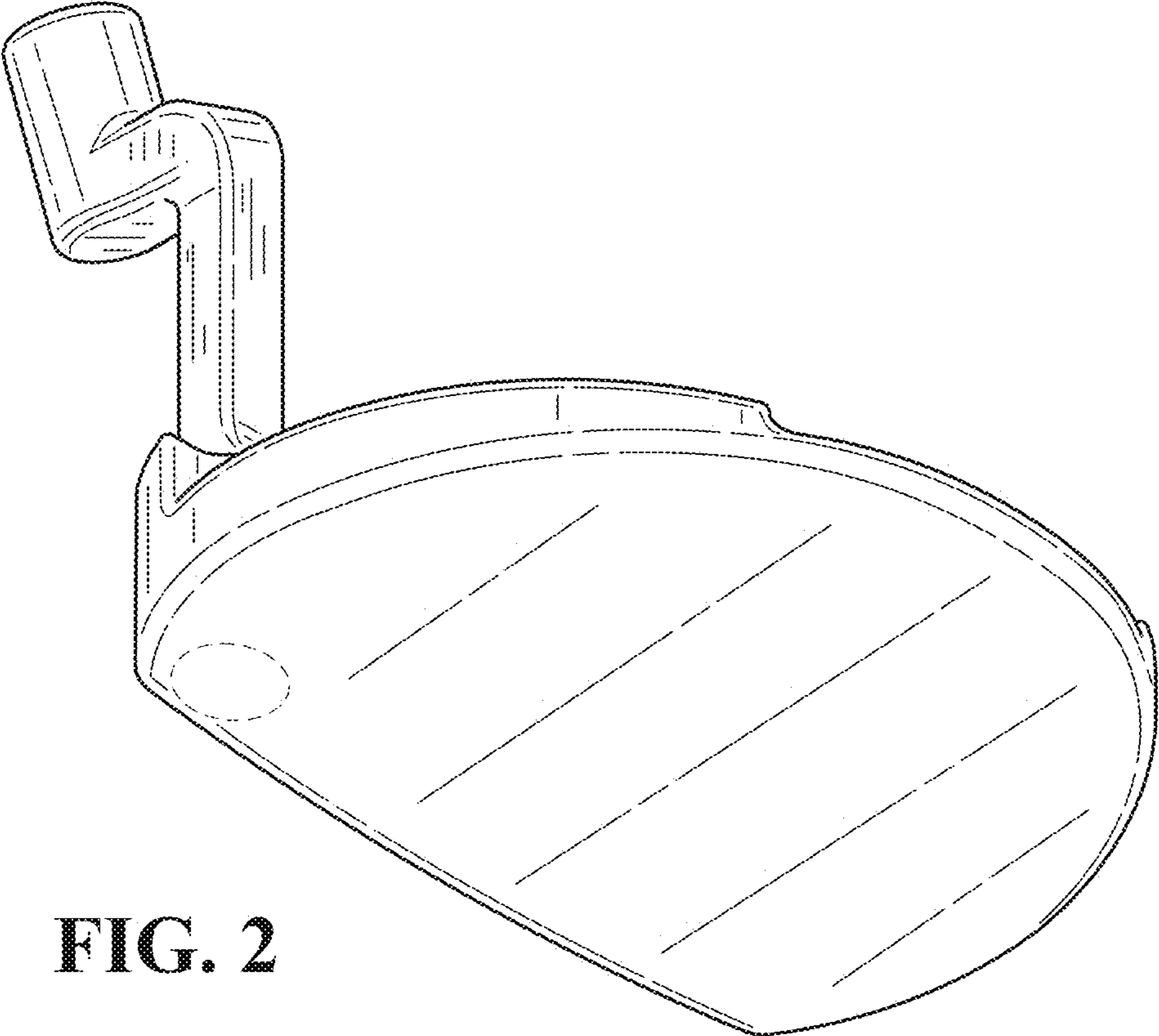


FIG. 2

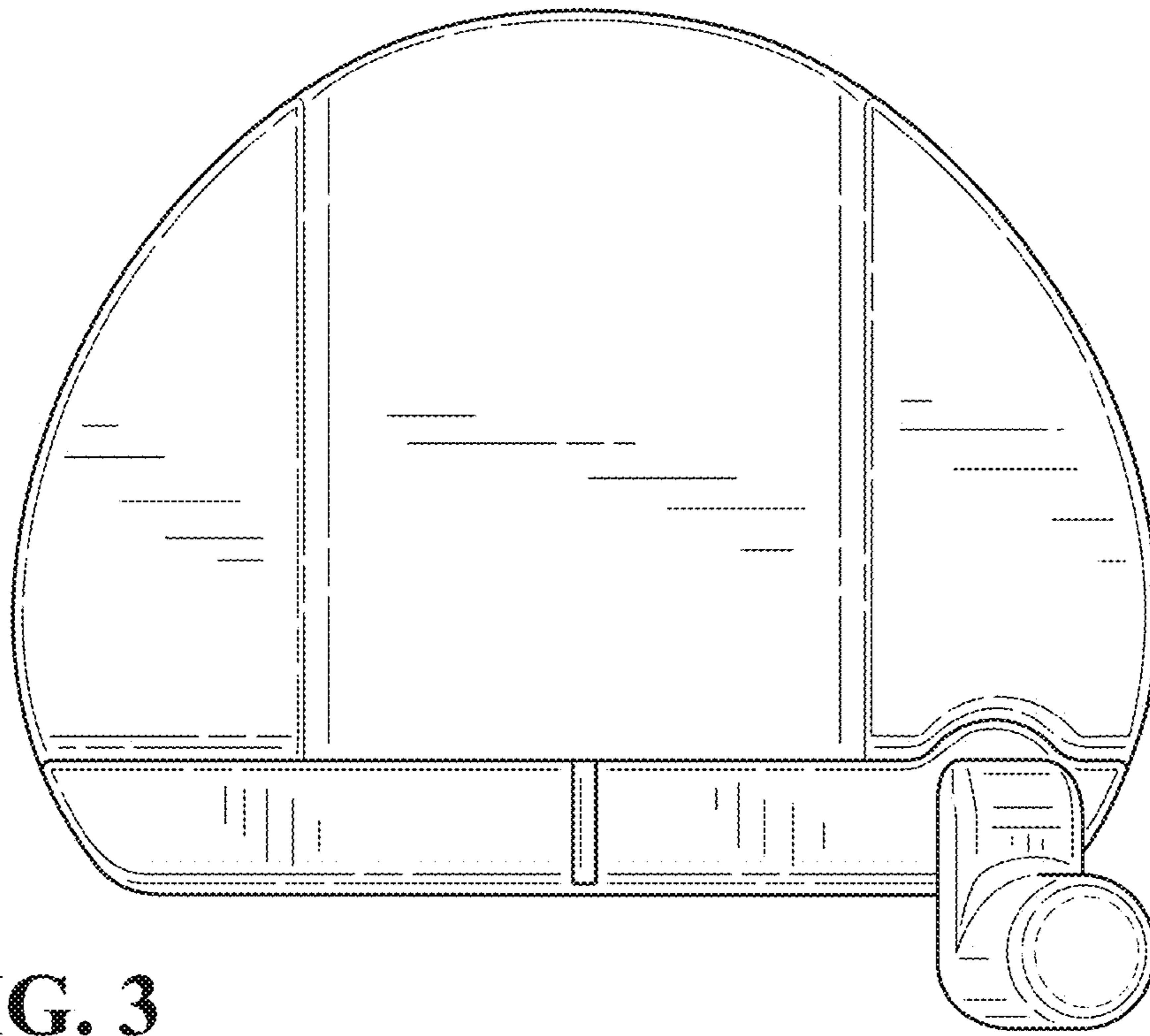


FIG. 3

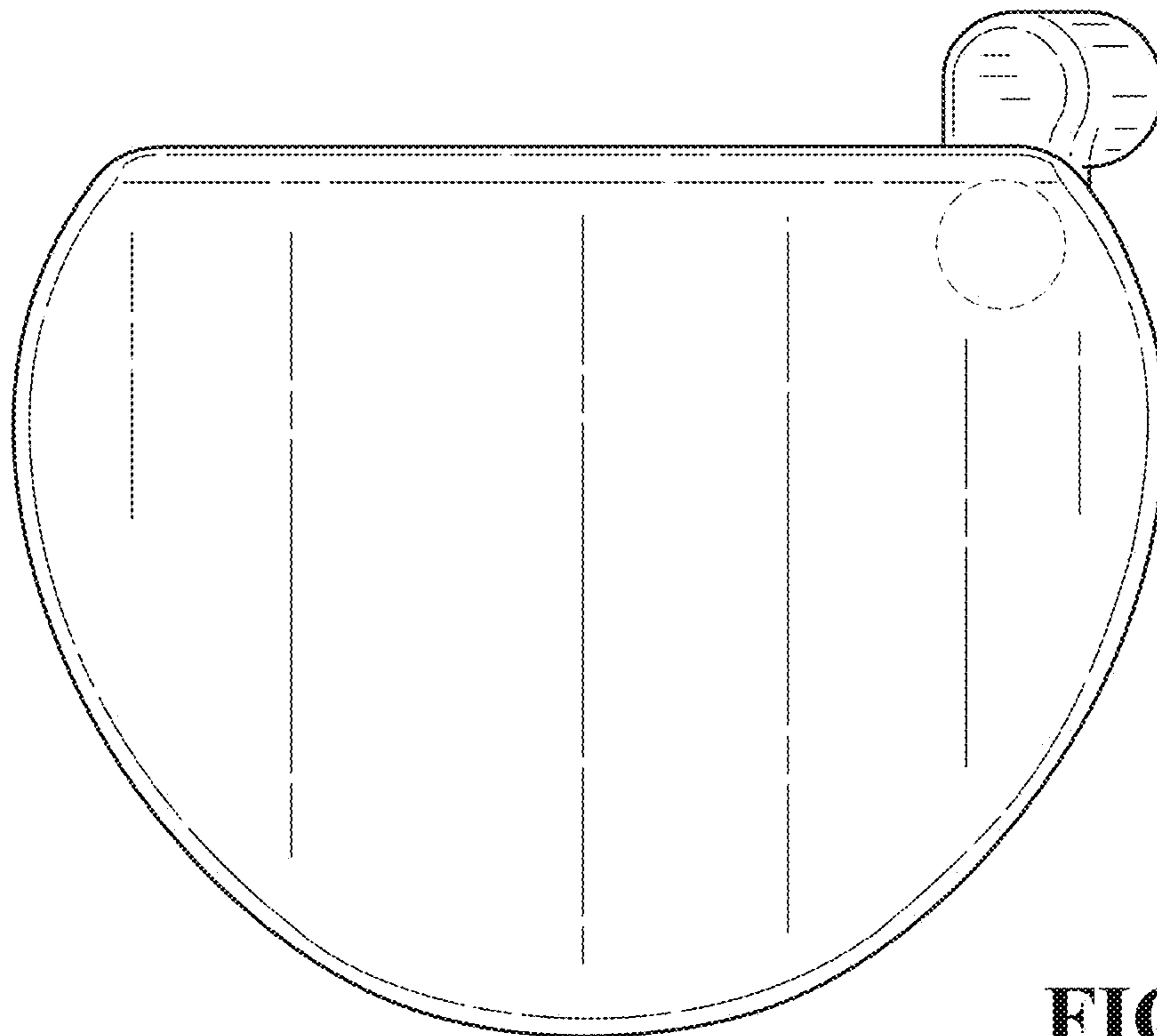


FIG. 4

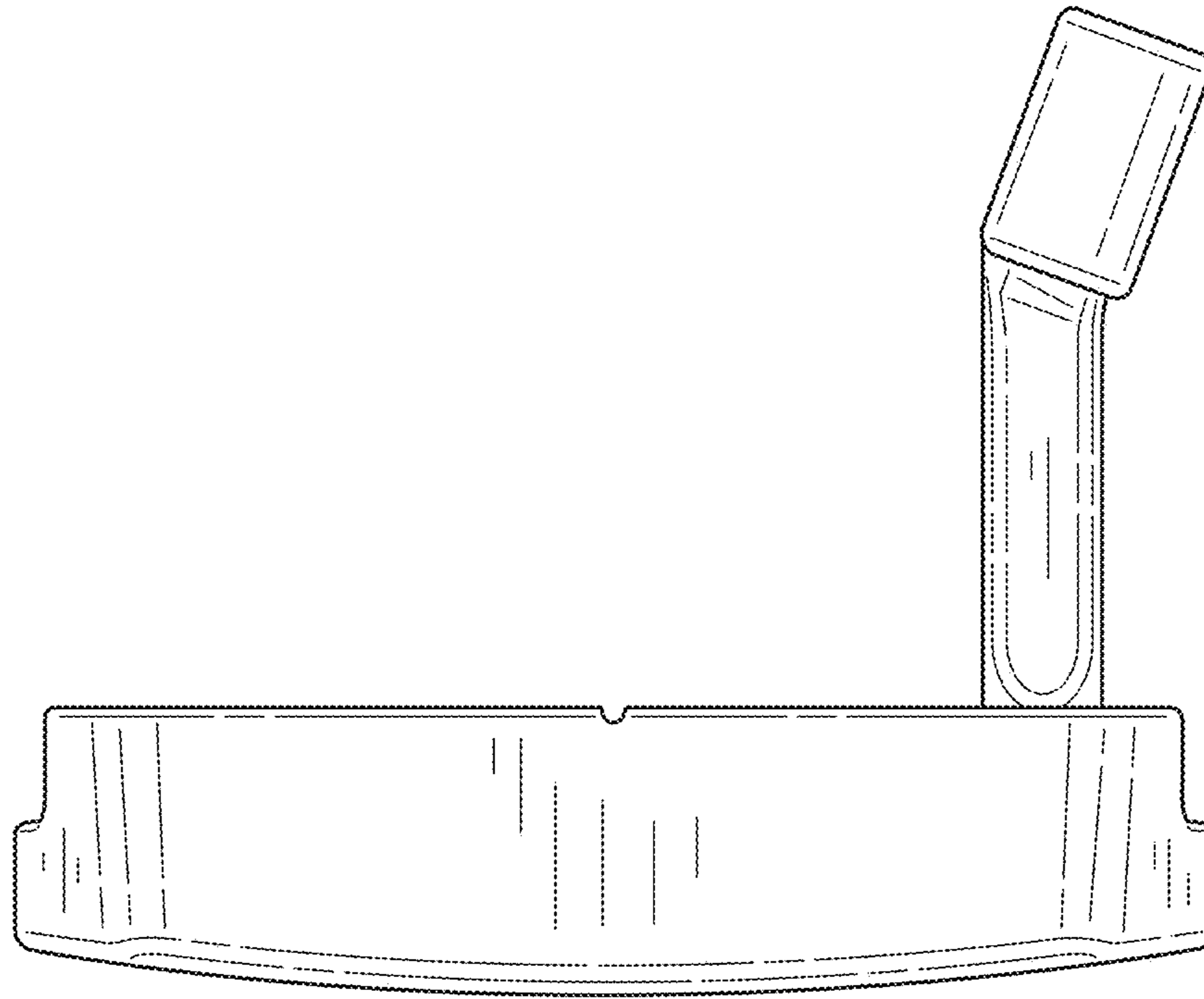


FIG. 5

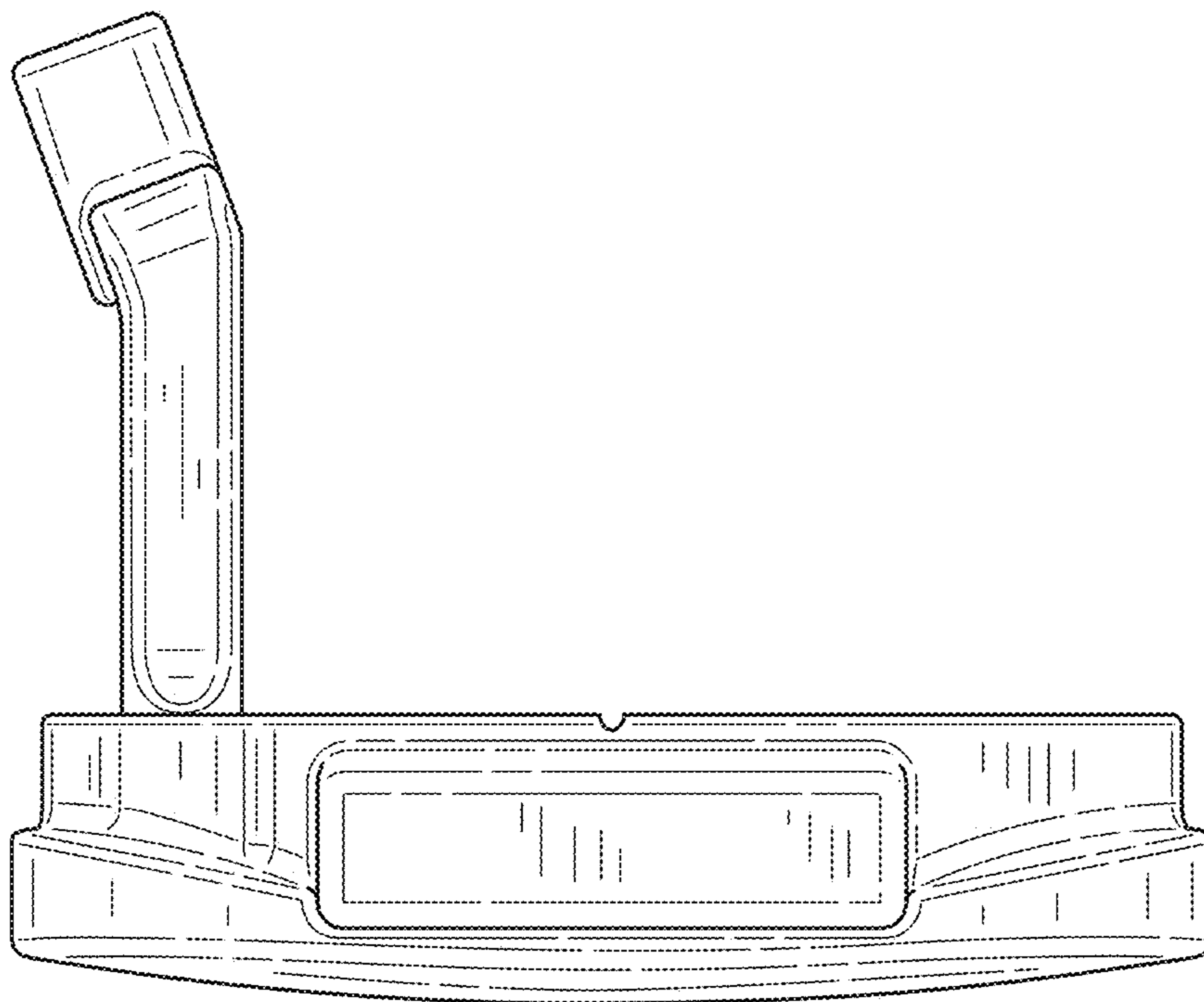


FIG. 6

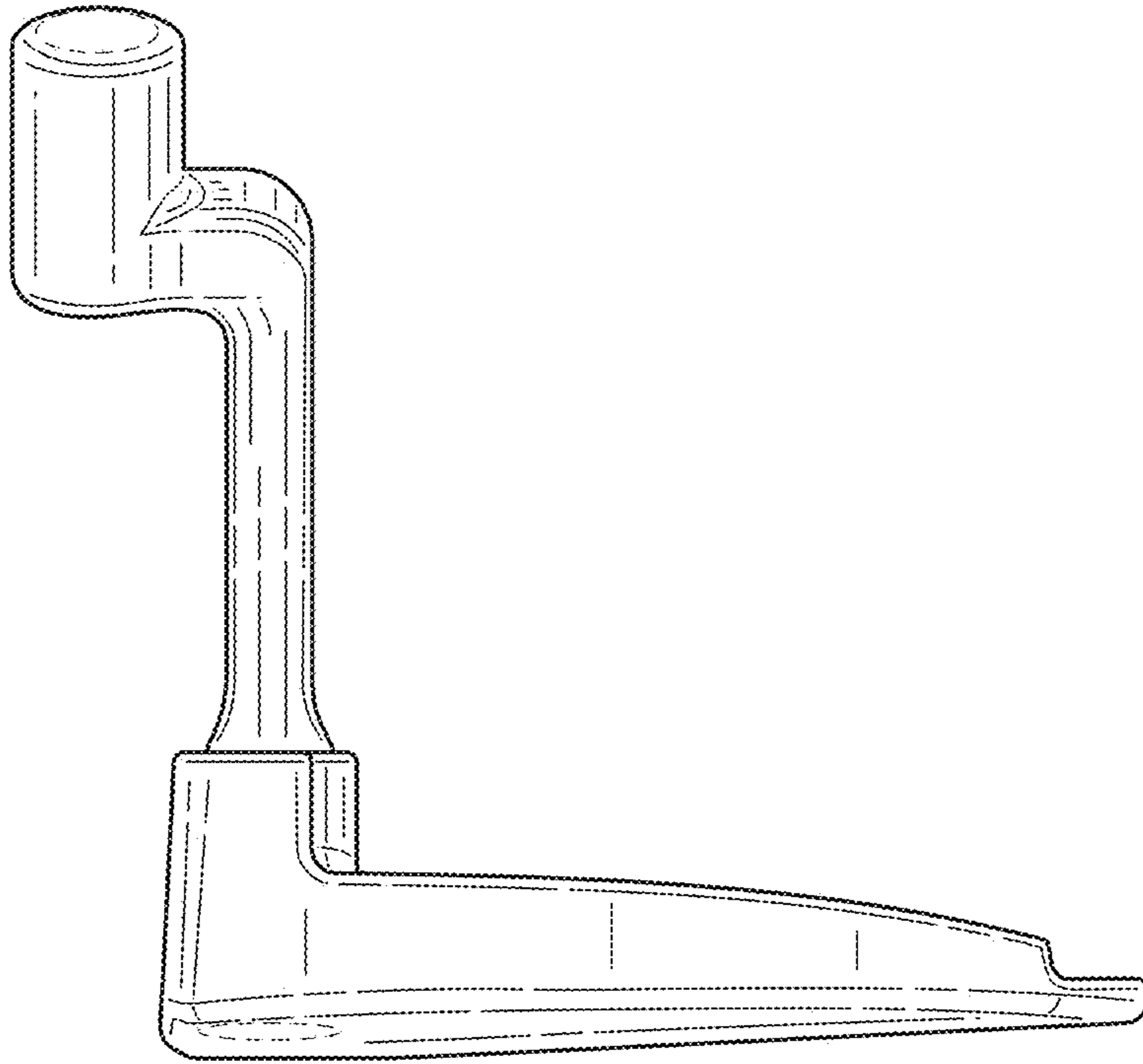


FIG. 7

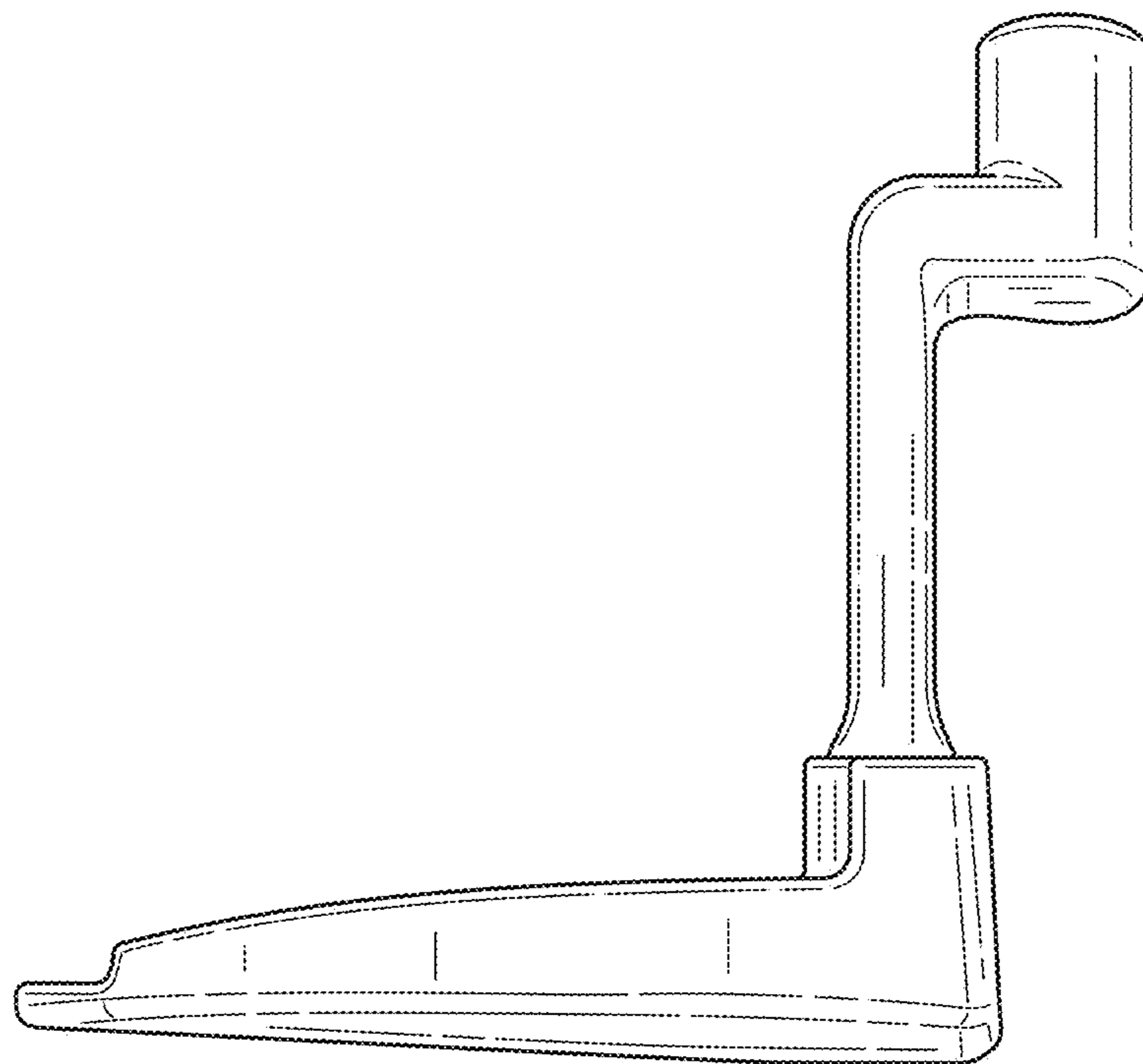


FIG. 8