



US00D879222S

(12) **United States Design Patent**  
**Serrano**

(10) **Patent No.:** **US D879,222 S**  
(45) **Date of Patent:** **\*\* Mar. 24, 2020**

- (54) **GOLF CLUB HEAD**
- (71) Applicant: **KARSTEN MANUFACTURING CORPORATION**, Phoenix, AZ (US)
- (72) Inventor: **Anthony D. Serrano**, Anthem, AZ (US)
- (73) Assignee: **Karsten Manufacturing Corporation**, Phoenix, AZ (US)
- (\*\*) Term: **15 Years**
- (21) Appl. No.: **29/668,691**
- (22) Filed: **Nov. 1, 2018**
- (51) **LOC (12) Cl.** ..... **21-02**
- (52) **U.S. Cl.**  
USPC ..... **D21/742**
- (58) **Field of Classification Search**  
USPC ..... D21/736-746, 759  
CPC ..... A63B 53/00; A63B 53/04; A63B 53/007;  
A63B 53/065; A63B 53/0487; A63B  
60/00; A63B 60/46  
See application file for complete search history.

- D507,612 S 7/2005 Souza
- D507,613 S 7/2005 Baiocchi
- 6,926,615 B1 8/2005 Souza et al.
- 6,960,140 B2 11/2005 Solheim et al.
- 6,966,845 B2 11/2005 Solheim et al.
- D520,584 S 5/2006 Karlsen
- D521,582 S 5/2006 Souza
- 7,052,411 B2 5/2006 Solheim et al.
- D522,598 S 6/2006 Solheim
- 7,077,758 B2 7/2006 Rohrer
- 7,086,957 B2 8/2006 Solheim et al.
- D529,108 S 9/2006 Stites
- D533,243 S 12/2006 Fife
- 7,235,021 B2 6/2007 Solheim et al.
- D548,295 S 8/2007 Jertson
- 7,255,650 B2 8/2007 Braynt et al.
- D552,197 S 10/2007 Wells
- D565,137 S 3/2008 Oldknow
- D569,460 S \* 5/2008 Walker ..... D21/743

(Continued)

*Primary Examiner* — Mitchell I. Siegel

(57) **CLAIM**

The ornamental design for a golf club head, as shown and described.

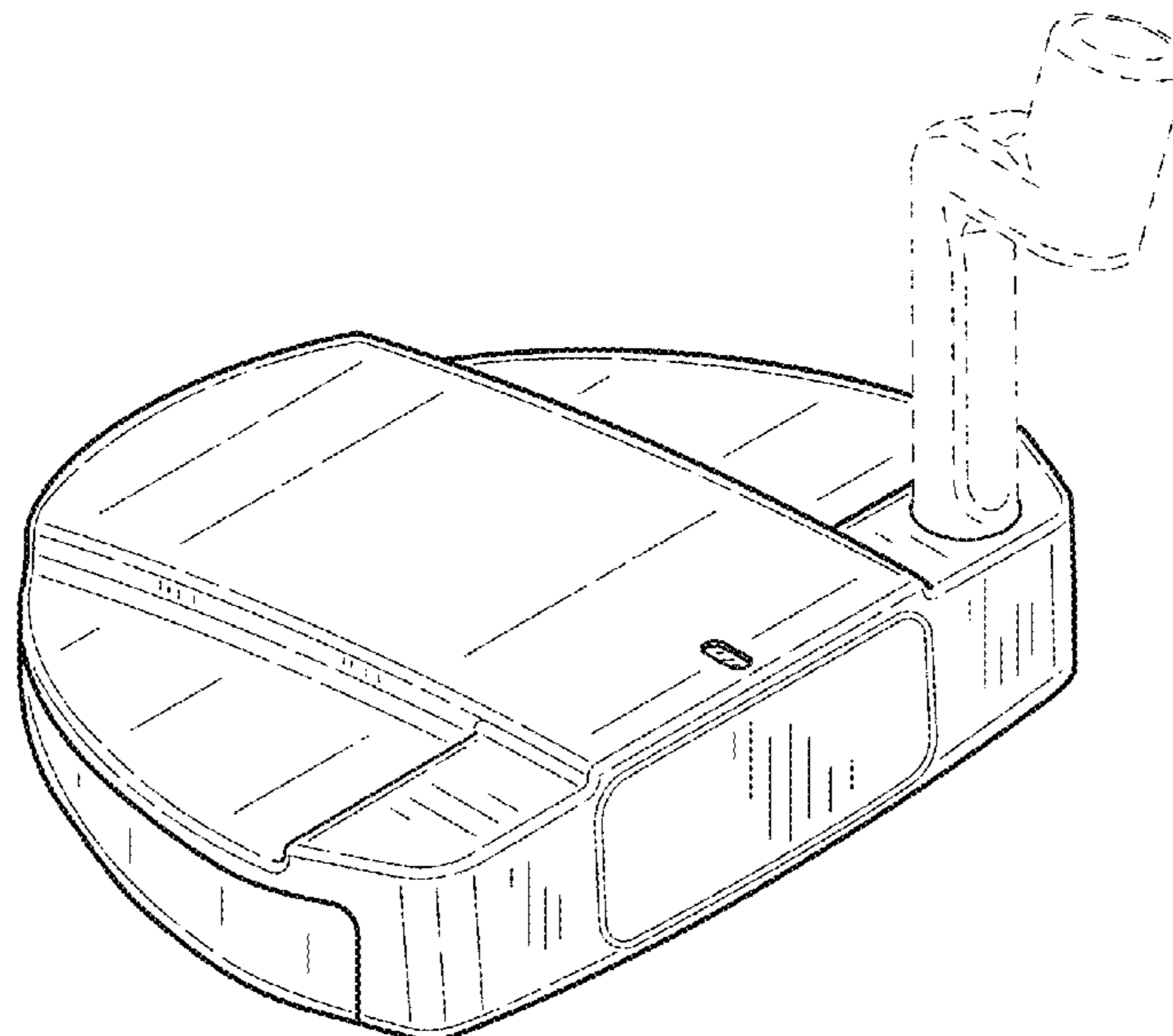
**DESCRIPTION**

FIG. 1 is a top perspective view of a golf club head;  
 FIG. 2 is a bottom perspective view of the golf club head of FIG. 1;  
 FIG. 3 is a top view of the golf club head of FIG. 1;  
 FIG. 4 is a bottom view of the golf club head of FIG. 1;  
 FIG. 5 is a front view of the golf club head of FIG. 1;  
 FIG. 6 is a rear view of the golf club head of FIG. 1;  
 FIG. 7 is a heel side view of the golf club head of FIG. 1;  
 and,  
 FIG. 8 is a toe side view of the golf club head of FIG. 1.  
 The broken line showing is included for the purpose of illustrating unclaimed subject matter and forms no part of the claimed design.

**1 Claim, 4 Drawing Sheets**

(56) **References Cited**  
U.S. PATENT DOCUMENTS

- D316,129 S 4/1991 Bryson
- D375,131 S \* 10/1996 Williams ..... D21/743
- 5,685,784 A 11/1997 Butler
- D399,900 S 10/1998 Hogan
- D461,514 S \* 8/2002 Tang ..... D21/742
- D461,861 S \* 8/2002 Tang ..... D21/742
- D488,200 S 4/2004 Olsavsky
- D496,417 S 9/2004 Tang
- D500,109 S 12/2004 Solheim
- D500,110 S 12/2004 Solheim
- 6,837,801 B1 1/2005 Souza et al.
- 6,878,071 B1 4/2005 Schwieger et al.
- 6,893,355 B2 5/2005 Souza et al.



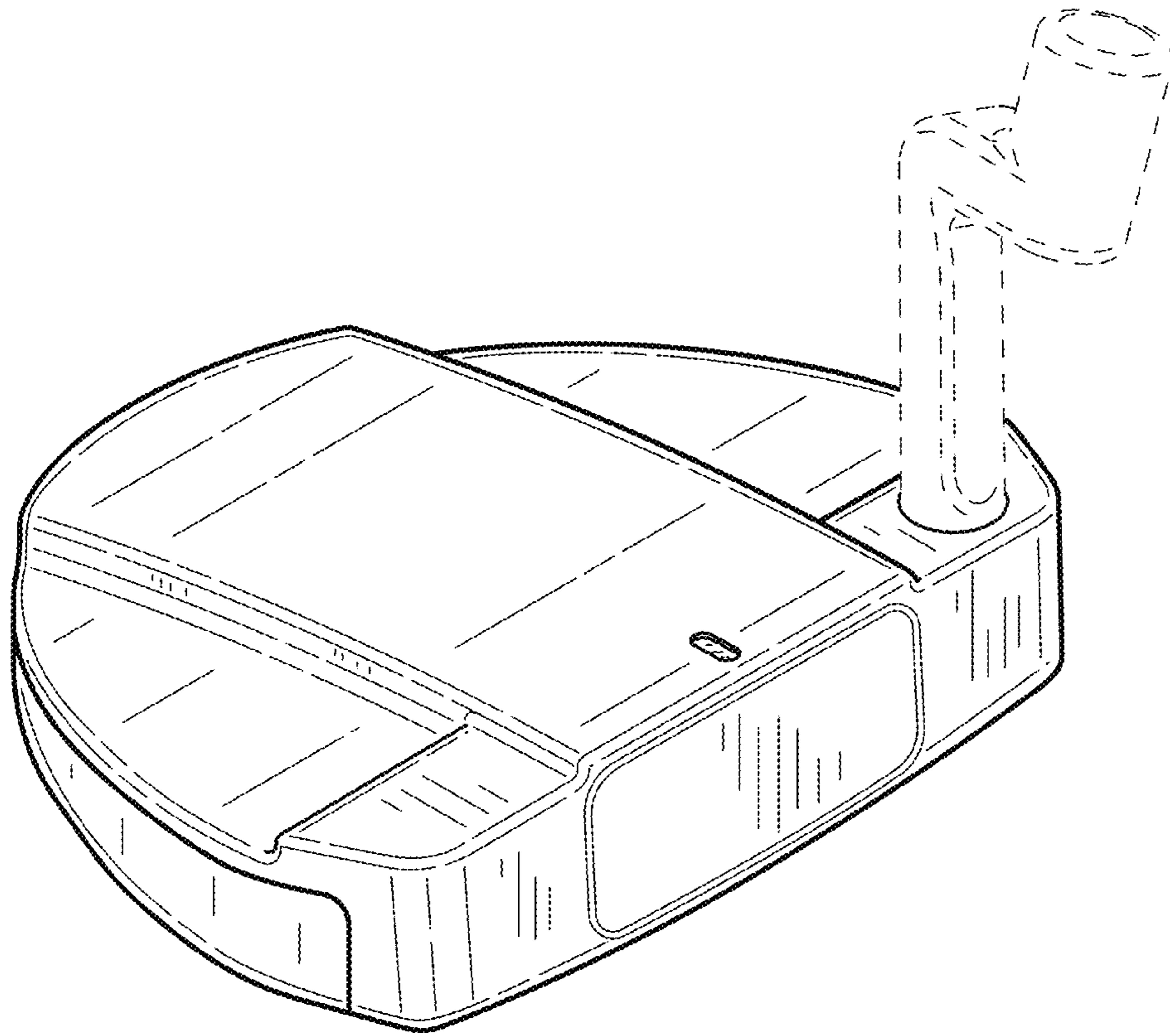
(56)

References Cited

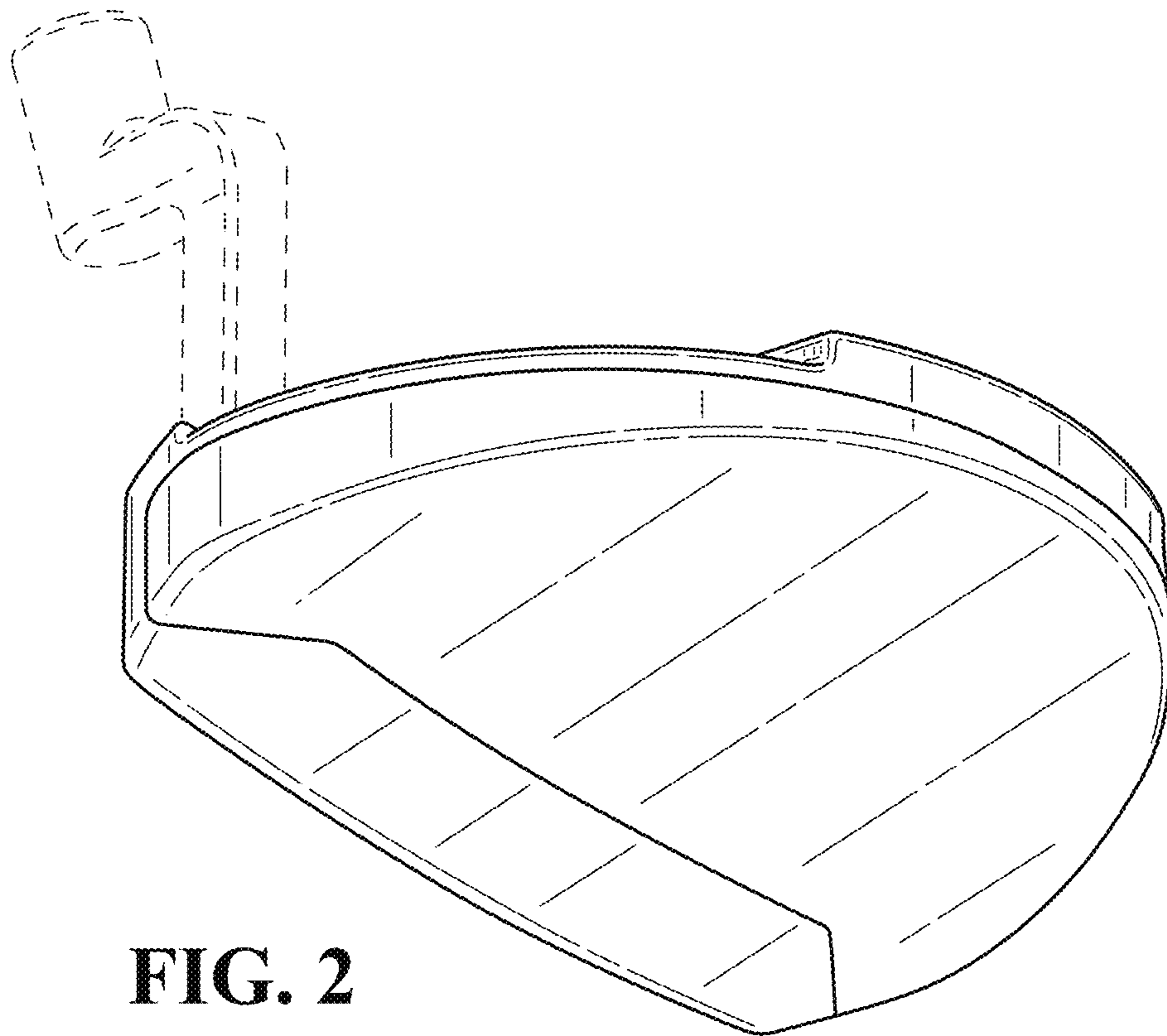
U.S. PATENT DOCUMENTS

D569,462 S	5/2008	Rollinson	D643,487 S	8/2011	Serrano	
D571,879 S	5/2008	Jones et al.	8,100,779 B2	1/2012	Solheim et al.	
D574,907 S	8/2008	Jones et al.	D653,718 S *	2/2012	Stokke .....	D21/743
D581,473 S	11/2008	Thomas	8,109,838 B2	2/2012	Solheim et al.	
D583,003 S	12/2008	Solheim	D664,617 S	7/2012	Serrano	
D587,325 S	2/2009	Solheim	D715,388 S *	10/2014	Serrano .....	D21/743
D594,073 S	6/2009	Kadoya	D735,283 S	7/2015	Solheim	
D595,372 S	6/2009	Rollinson	D750,186 S *	2/2016	Schweigert .....	D21/746
D600,760 S	9/2009	Serrano	D754,805 S	4/2016	Serrano	
D600,761 S	9/2009	Solheim	D774,607 S *	12/2016	Serrano .....	D21/743
D600,762 S	9/2009	Serrano	D774,610 S *	12/2016	Serrano .....	D21/744
D607,950 S	1/2010	Souza	D783,745 S *	4/2017	Chen .....	D21/743
D621,458 S	8/2010	Serrano	D793,502 S *	8/2017	Cardani .....	D21/743
D621,460 S	8/2010	Serrano	D827,064 S *	8/2018	Wypych .....	D21/743
D621,461 S	8/2010	Serrano	D840,482 S *	2/2019	Serrano .....	D21/736
D621,462 S	8/2010	Serrano	D842,952 S *	3/2019	Schweigert .....	D21/743
D621,891 S	8/2010	Serrano	D848,562 S *	5/2019	Nicolette .....	D21/736
7,803,066 B2	9/2010	Solheim et al.	D861,092 S *	9/2019	Glorioso .....	D21/743
D638,891 S	5/2011	Nicolette	D864,325 S *	10/2019	Rollinson .....	D21/743
D643,080 S	8/2011	Serrano	2003/0083149 A1	5/2003	Scarpa et al.	
D643,485 S	8/2011	Nicolette et al.	2006/0094533 A1	5/2006	Warren et al.	
D643,486 S	8/2011	Serrano	2006/0166755 A1	7/2006	Brown	
			2007/0191135 A1	8/2007	Nilsson et al.	
			2010/0227704 A1	9/2010	Souza et al.	
			2014/0179459 A1	6/2014	Schartiger et al.	

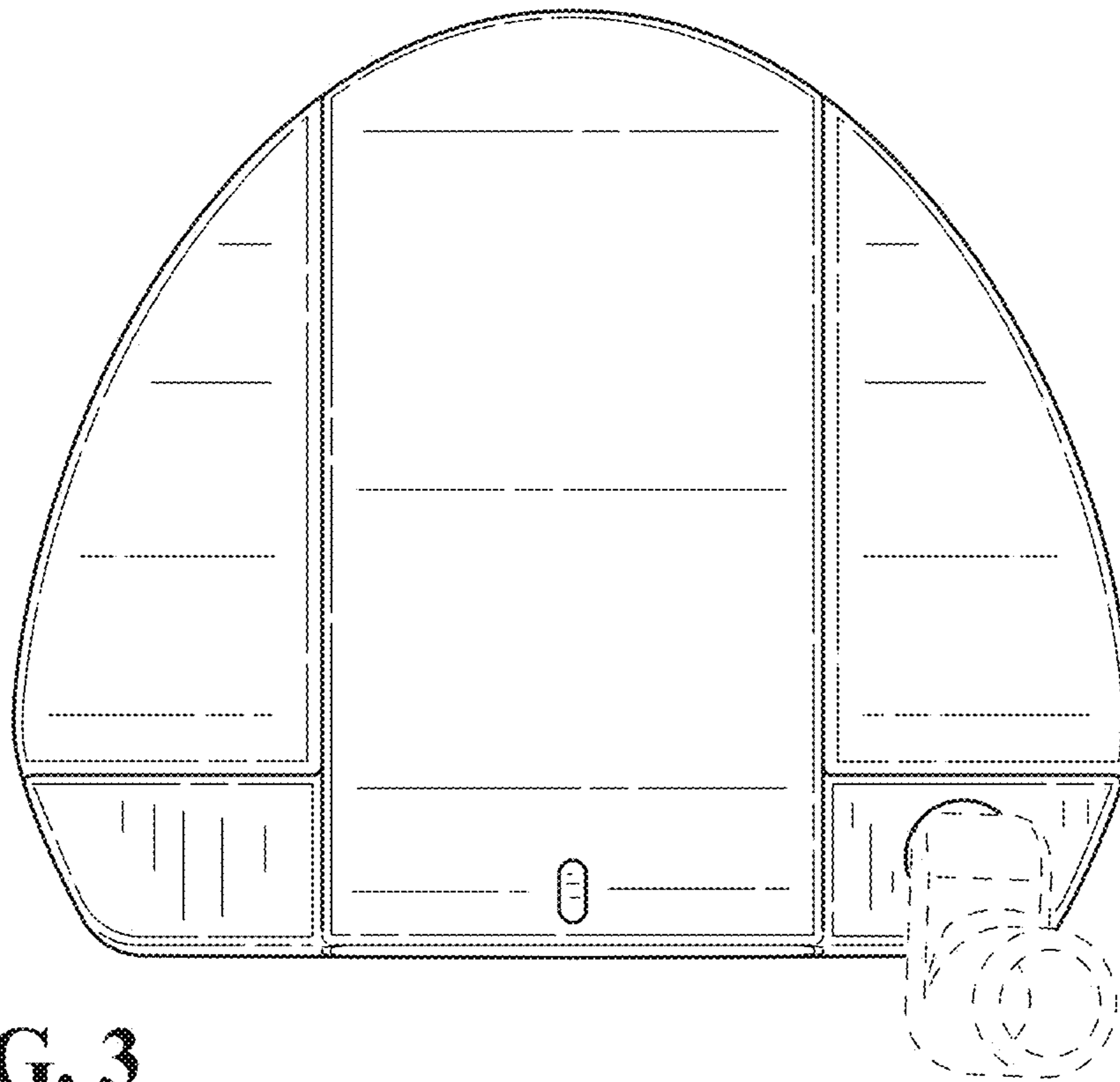
\* cited by examiner



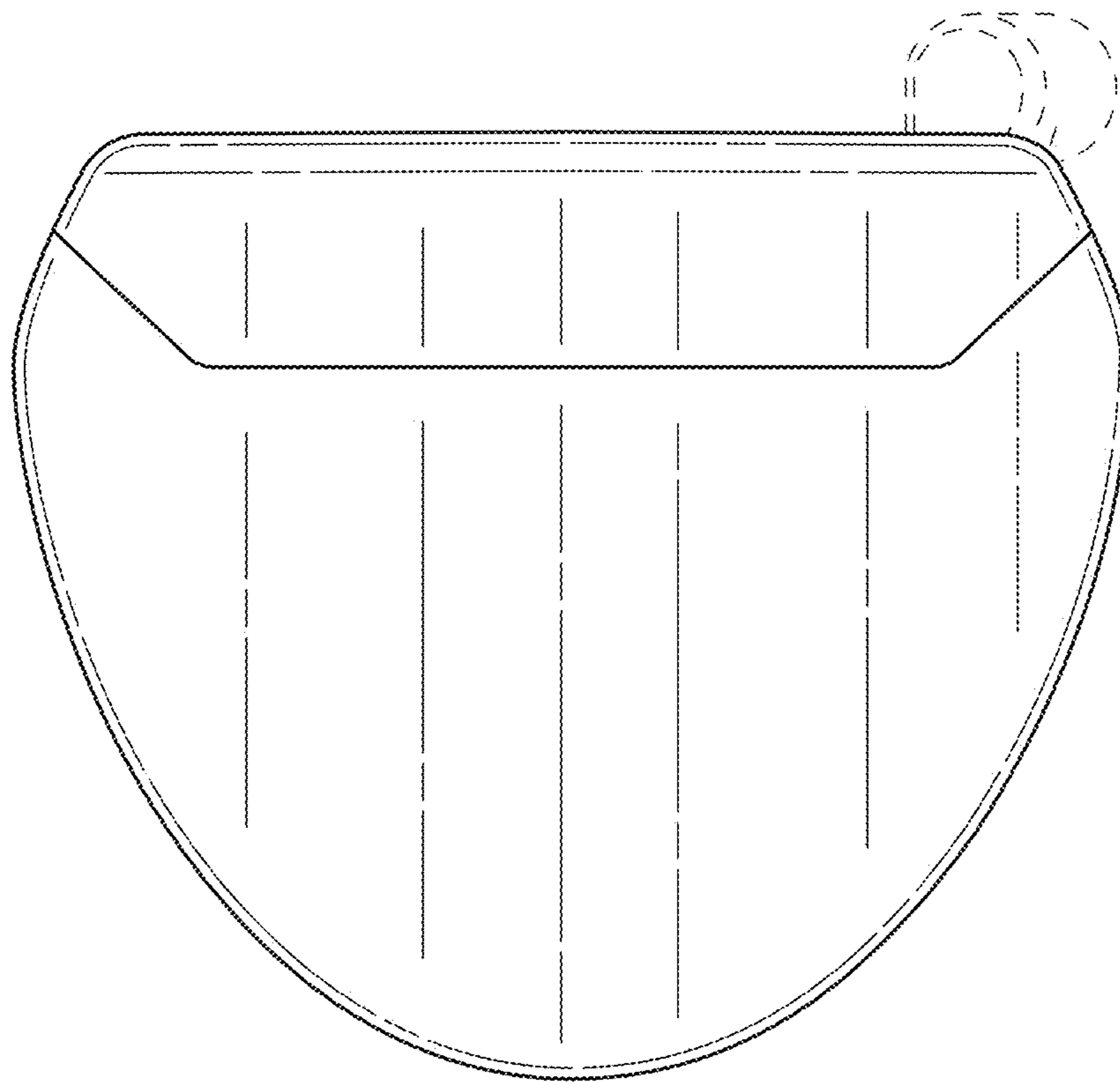
**FIG. 1**



**FIG. 2**



**FIG. 3**



**FIG. 4**

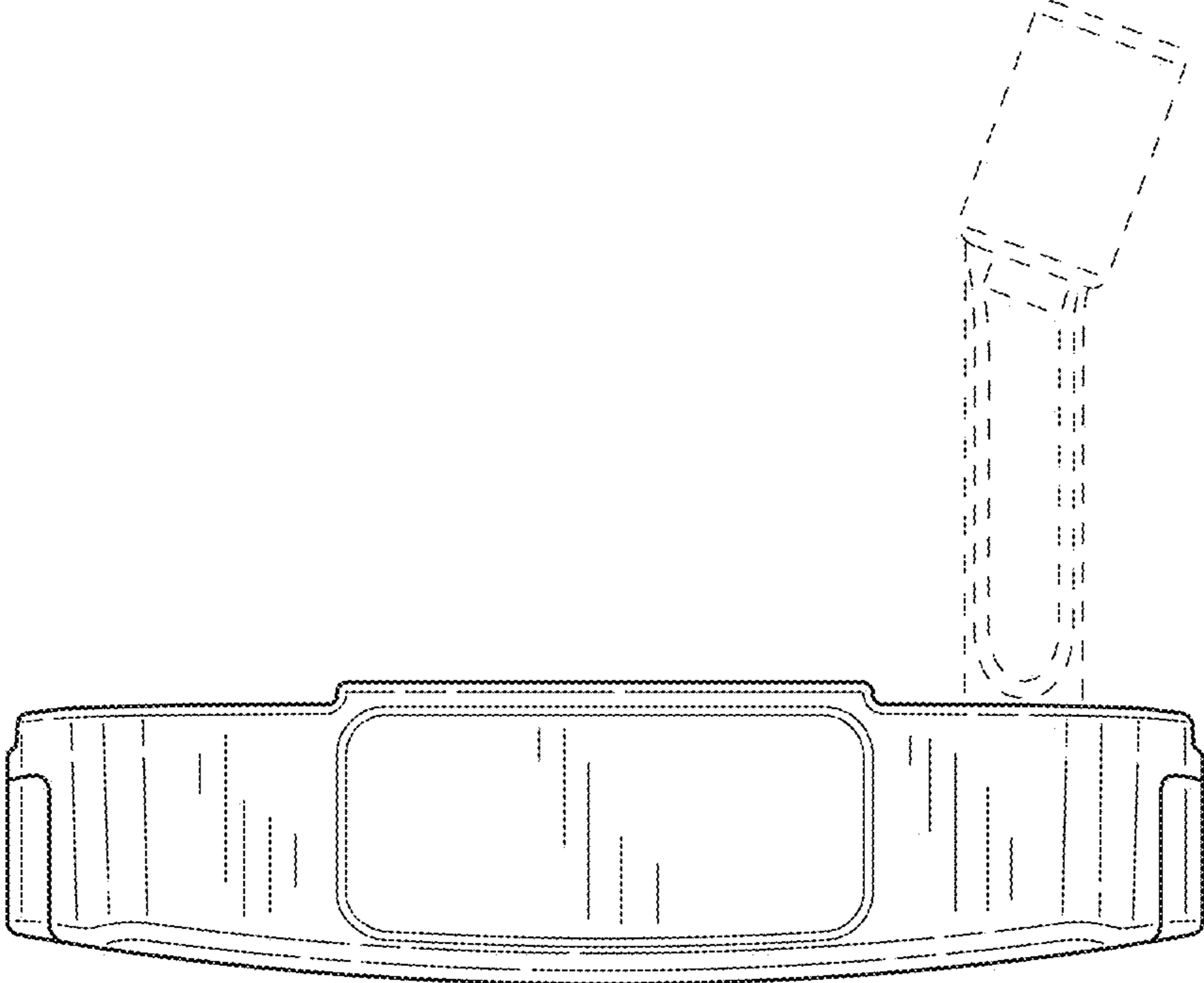


FIG. 5

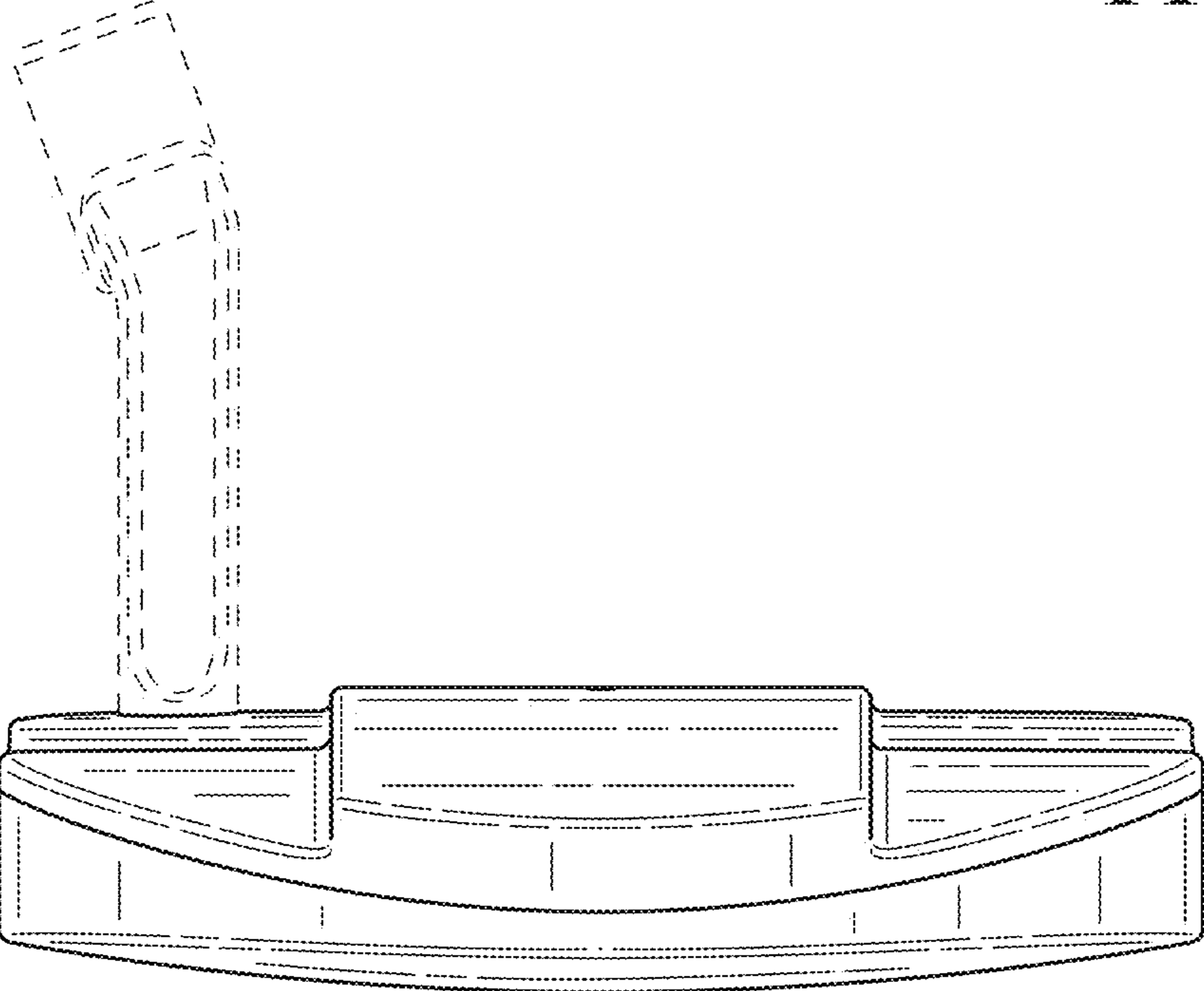
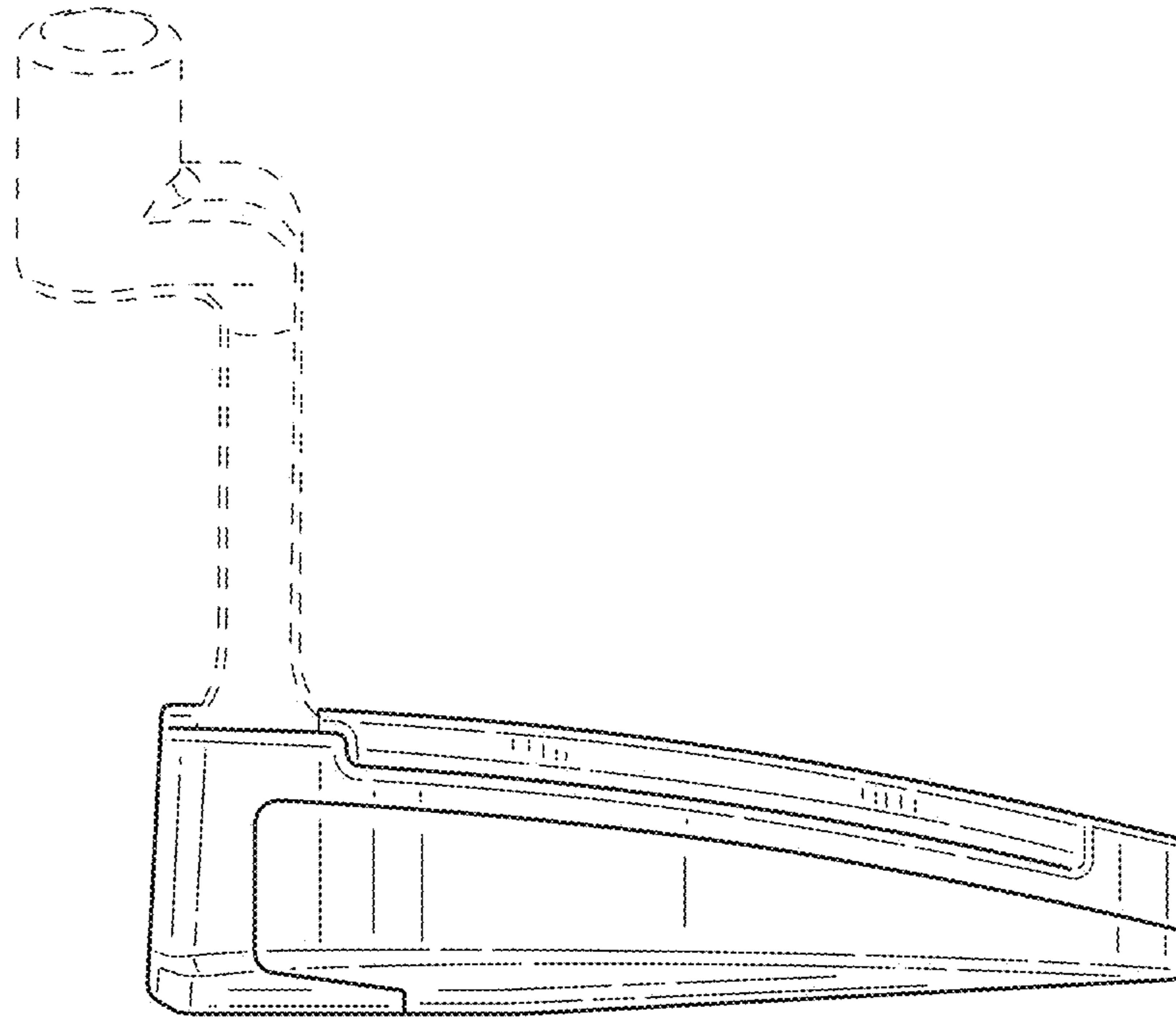
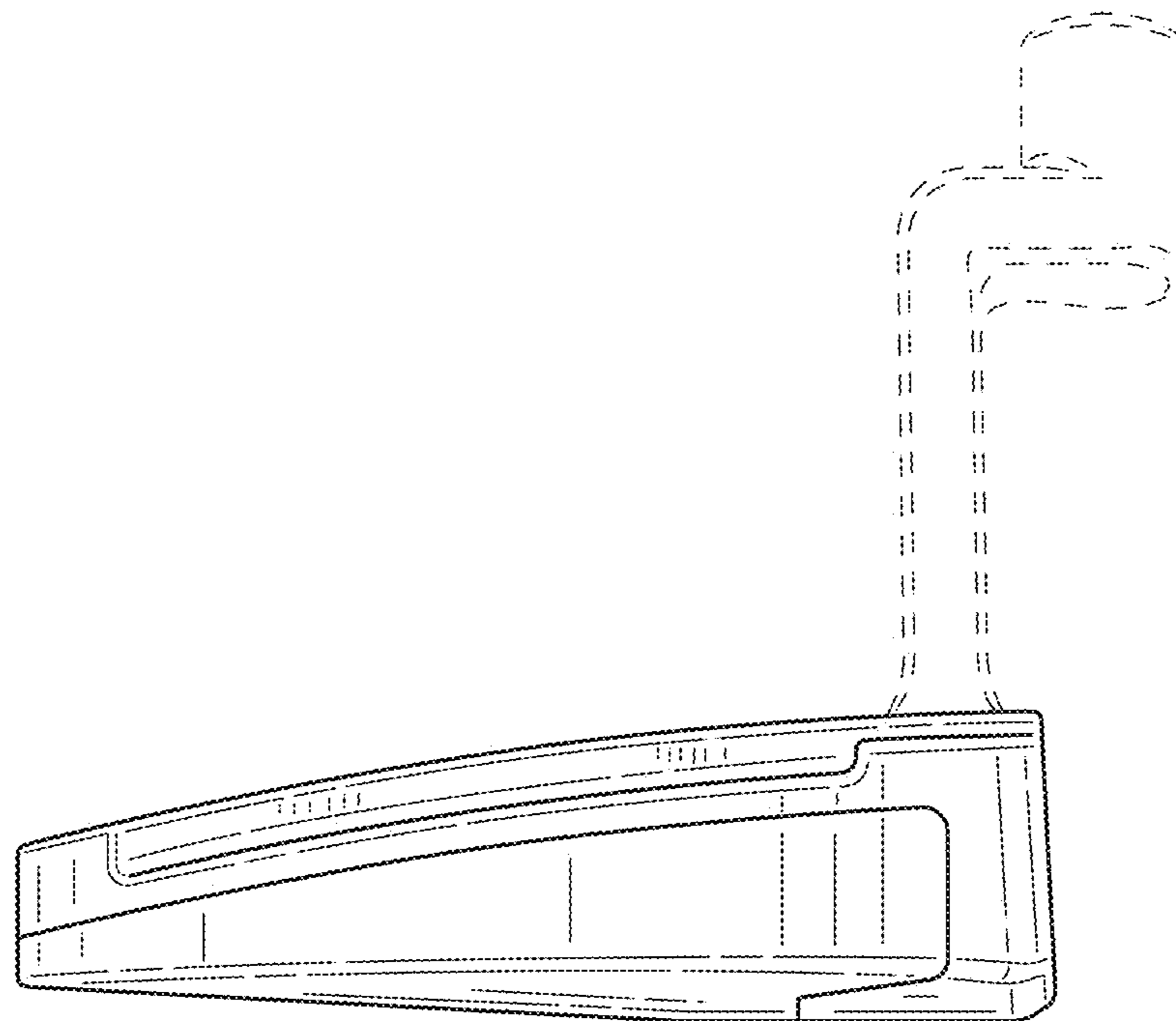


FIG. 6



**FIG. 7**



**FIG. 8**