



US00D879220S

(12) **United States Design Patent**
Elpers et al.

(10) **Patent No.:** **US D879,220 S**
(45) **Date of Patent:** **** Mar. 24, 2020**

(54) **BASKETBALL BACKBOARD SUPPORT ARM**

(71) Applicant: **Indian Industries, Inc.**, Evansville, IN (US)

(72) Inventors: **Philip Elpers**, Evansville, IN (US);
Robert W. Cornell, Evansville, IN (US)

(73) Assignee: **Indian Industries, Inc.**, Evansville, IN (US)

(**) Term: **15 Years**

(21) Appl. No.: **29/670,696**

(22) Filed: **Nov. 19, 2018**

(51) **LOC (12) Cl.** **21-02**

(52) **U.S. Cl.**
USPC **D21/701**

(58) **Field of Classification Search**
USPC D21/699–705, 781; D8/349, 354, 355,
D8/363, 373, 380; 473/479–489
CPC A63B 71/023; A63B 2225/093; A63B
63/00–083; A63B 2063/001; A63B
2063/002; A63B 2063/005; A63B
2063/006; A63B 2063/065; A63B
2063/086

See application file for complete search history.

(56) **References Cited**

U.S. PATENT DOCUMENTS

3,018,102	A *	1/1962	Murphy	A63B 63/083 473/481
3,881,724	A *	5/1975	Beveridge	A63B 63/083 473/472
5,316,290	A *	5/1994	Parr	A63B 63/083 473/483
5,470,054	A *	11/1995	Bohrman	A63B 63/083 248/218.4
5,570,880	A *	11/1996	Nordgran	A63B 63/083 248/218.4
6,179,733	B1	1/2001	Story		

6,837,810	B1 *	1/2005	McAllister	A63B 63/083 248/281.11
D521,852	S *	5/2006	Hall	D8/354
D529,558	S *	10/2006	White	D21/702
D537,490	S *	2/2007	McAllister	A63B 63/083 D21/702
D557,759	S *	12/2007	McAllister	D21/702

(Continued)

FOREIGN PATENT DOCUMENTS

CA 3008230 A1 * 6/2017 A63B 63/08

Primary Examiner — Catherine A Tuttle

(74) *Attorney, Agent, or Firm* — Woodard, Emhardt,
Henry, Reeves & Wagner, LLP; Charles Meyer

(57) **CLAIM**

The ornamental design for a basketball backboard support arm, as shown and described.

DESCRIPTION

FIG. 1 is a perspective view showing our new design for a basketball backboard support arm in association with a basketball goal;

FIG. 2 is an enlarged scale perspective view showing the basketball backboard support arm separately from the basketball goal;

FIG. 3 is a right side view thereof from perspective of FIG. 1.

FIG. 4 is a left side view thereof from perspective of FIG. 1.

FIG. 5 is a lower end view thereof.

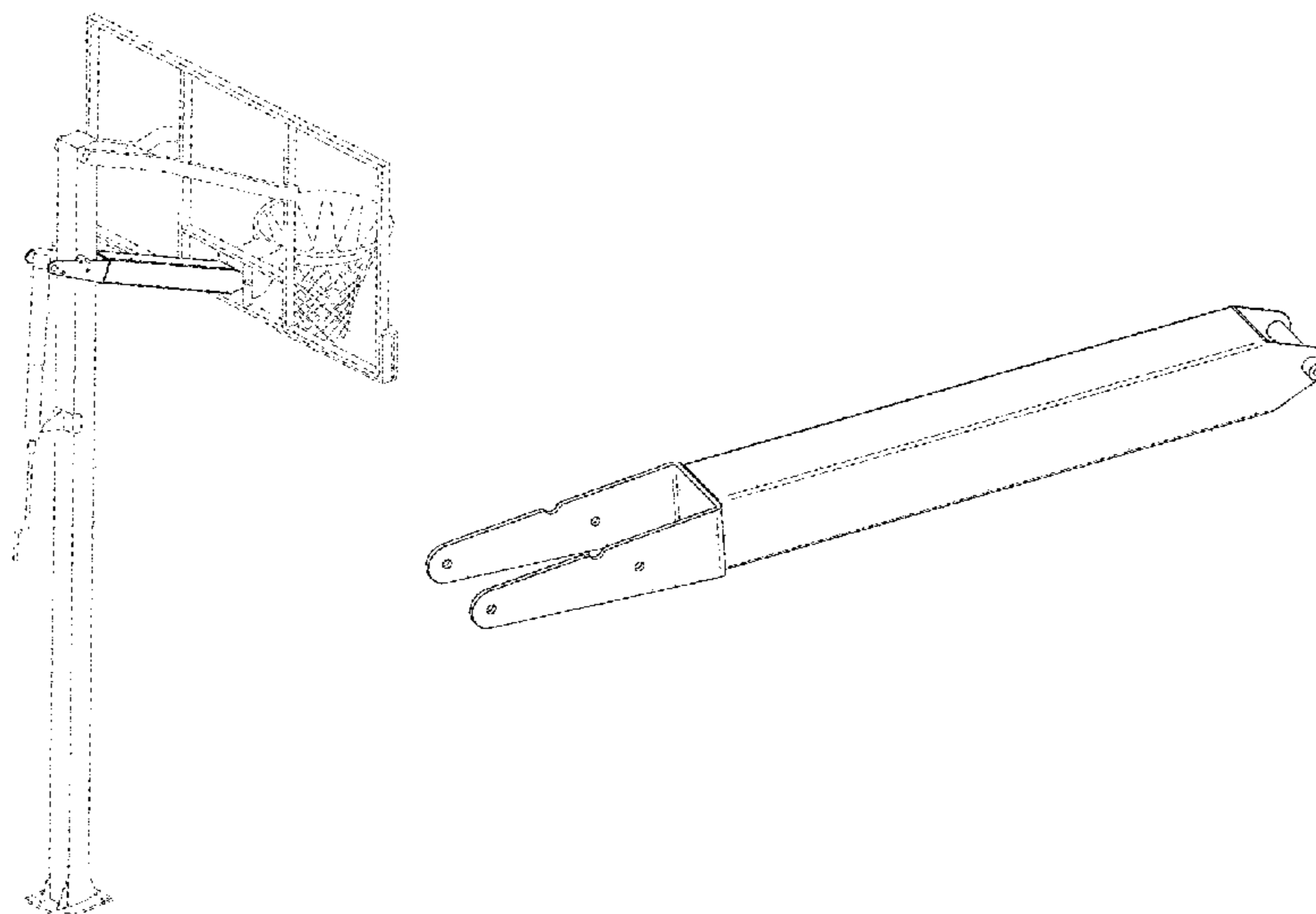
FIG. 6 is an upper end view thereof.

FIG. 7 is a top view thereof; and,

FIG. 8 is a bottom view thereof.

The broken lines showing the basketball goal are for illustrative purposes only, and form no part of the claimed design.

1 Claim, 3 Drawing Sheets



(56)

References Cited

U.S. PATENT DOCUMENTS

D567,635	S *	4/2008	Nankervis	D8/354
7,393,293	B2	7/2008	Guerzini et al.	
D601,878	S *	10/2009	Funk	D8/349
8,062,152	B2 *	11/2011	Nye	A63B 63/083 473/484
8,523,715	B2	9/2013	Elpers	
8,708,844	B2	4/2014	Nye et al.	
D745,098	S *	12/2015	Connerley	D21/701
10,052,540	B2	8/2018	Elpers et al.	
D850,891	S *	6/2019	Rawls-Meehan	D8/355
2005/0037875	A1 *	2/2005	Snider	A63B 63/008 473/477
2006/0116225	A1 *	6/2006	Kilpatrick	A63B 63/083 473/483
2009/0163305	A1 *	6/2009	Connerley	A63B 63/083 473/481
2014/0235375	A1 *	8/2014	Crosby	A63B 63/083 473/481
2018/0333625	A1 *	11/2018	Elpers	A63B 63/083

* cited by examiner

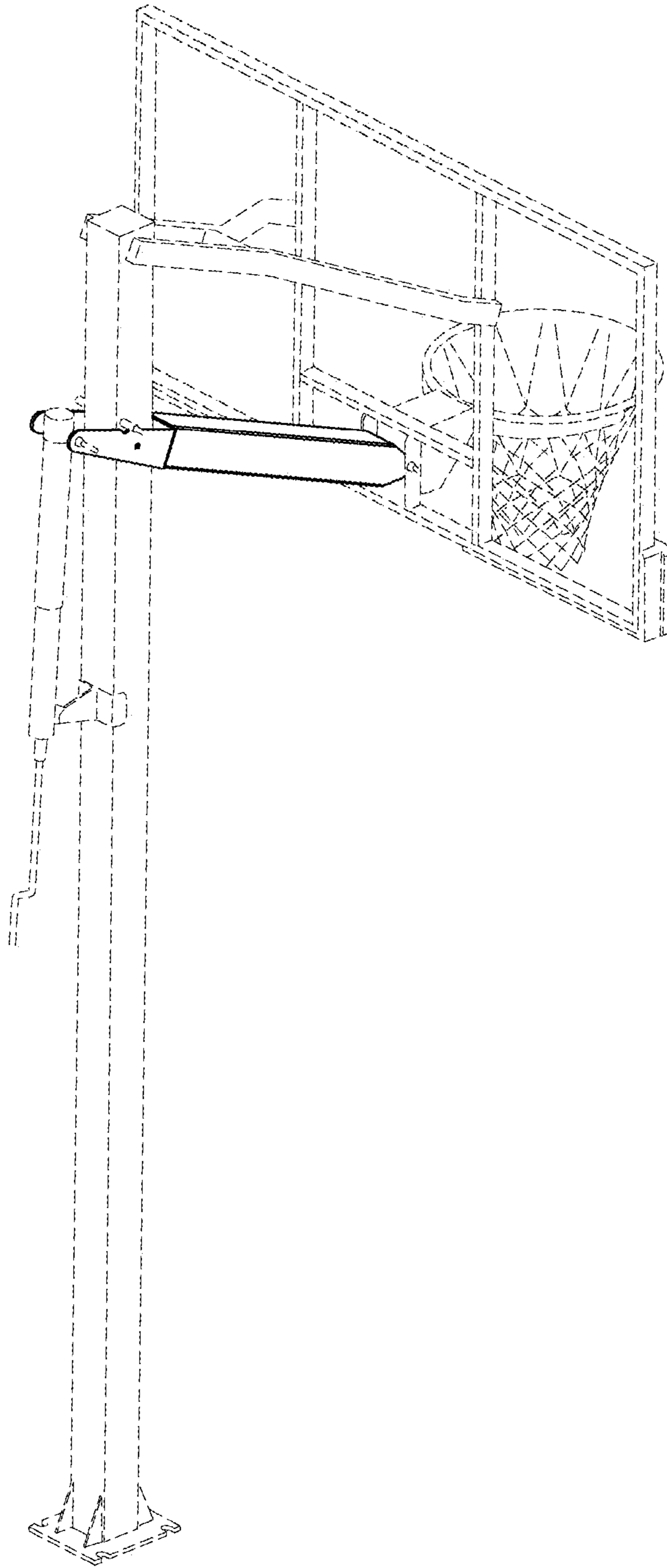


Fig. 1

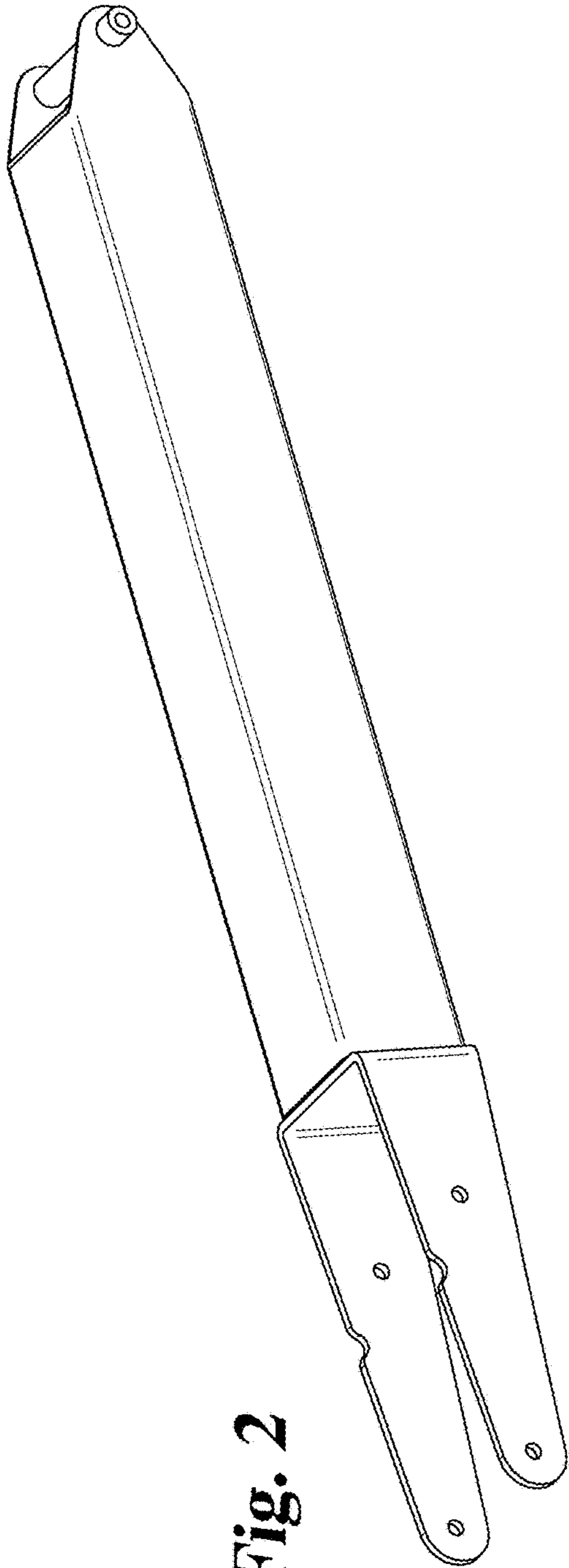


Fig. 2

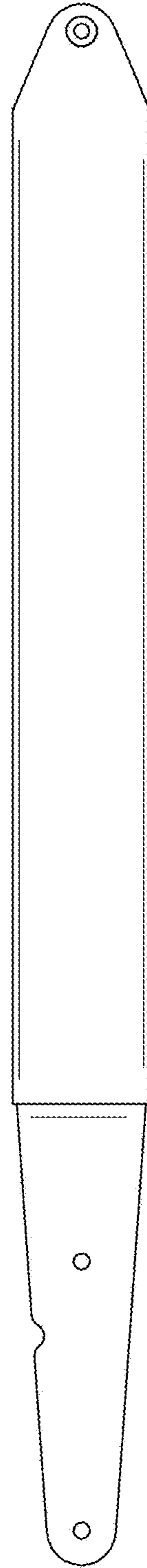


Fig. 3

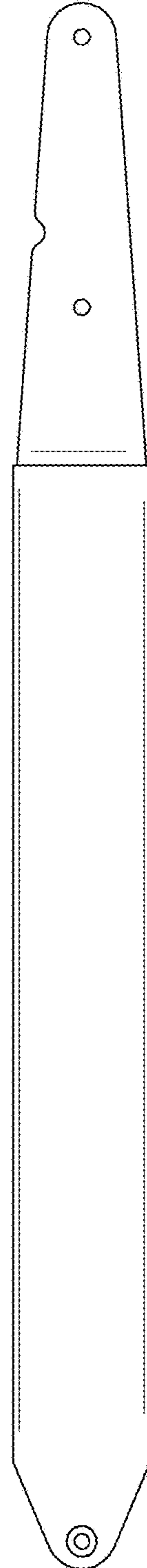


Fig. 4

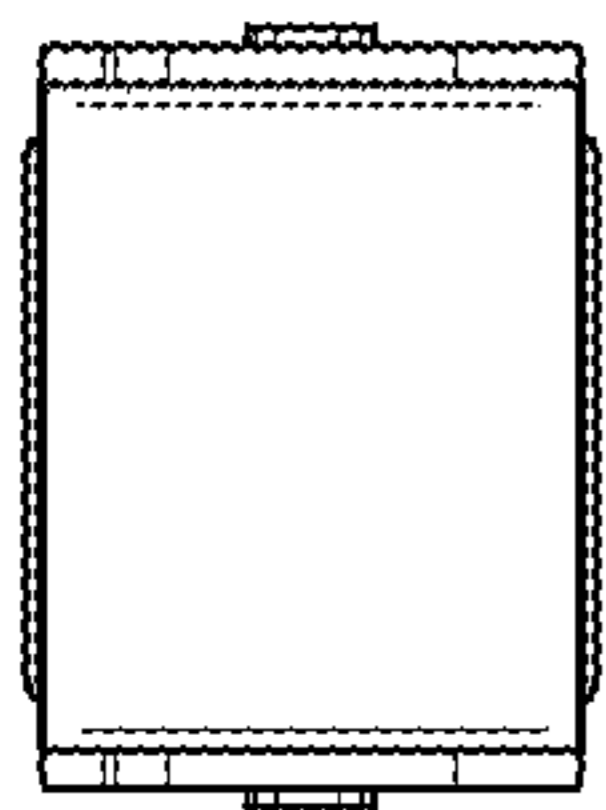


Fig. 5

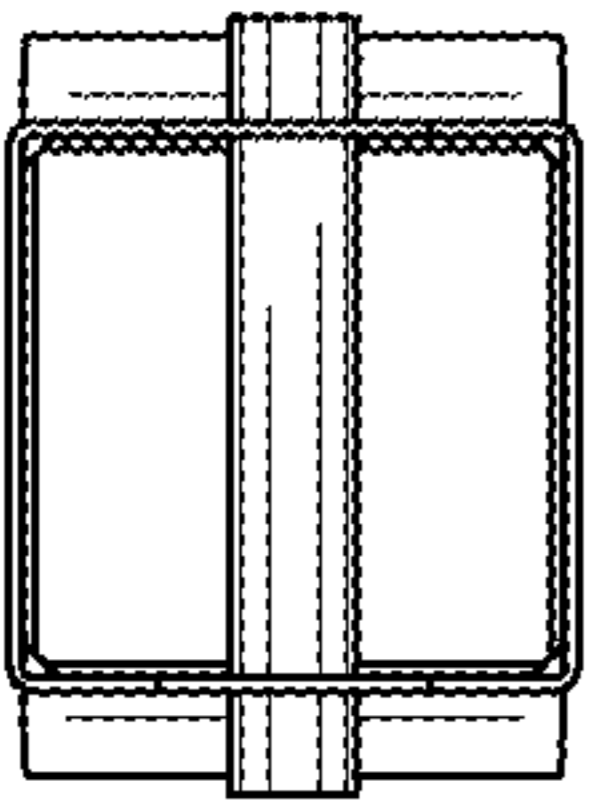


Fig. 6

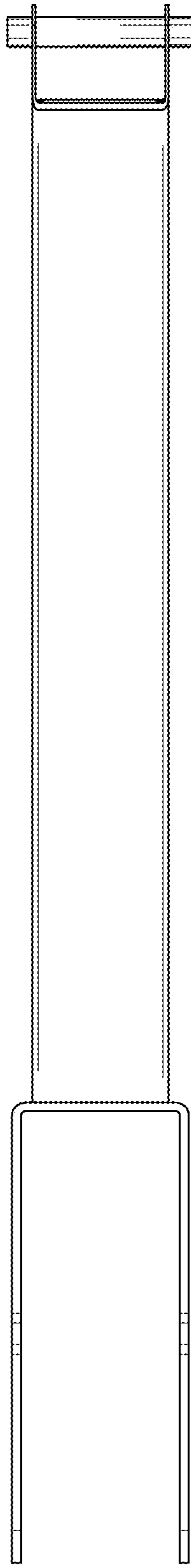


Fig. 7

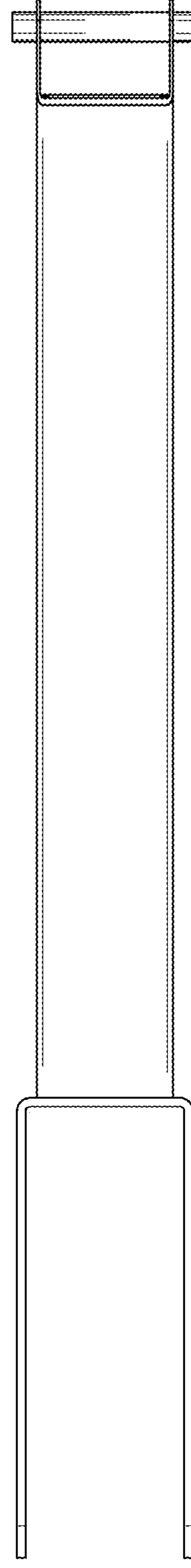


Fig. 8