



US00D879219S

(12) **United States Design Patent**
Chen

(10) **Patent No.:** **US D879,219 S**

(45) **Date of Patent:** **** Mar. 24, 2020**

(54) **APPARATUS FOR DEVELOPING MUSCLES**

(71) Applicant: **Shenzhen Putai Ecommerce Co., Ltd.**,
Shenzhen (CN)

(72) Inventor: **Junchao Chen**, Shenzhen (CN)

(73) Assignee: **Shenzhen Putai Ecommerce Co., Ltd.**,
Shenzhen (CN)

(**) Term: **15 Years**

(21) Appl. No.: **29/663,254**

(22) Filed: **Sep. 13, 2018**

(51) **LOC (12) Cl.** **21-02**

(52) **U.S. Cl.**
USPC **D21/692**; D21/693

(58) **Field of Classification Search**
USPC 482/91, 92, 121, 122, 125, 126;
D21/662, 684, 688, 692, 693
CPC ... A63B 21/0442; A63B 21/055; A63B 23/16;
A63B 21/023
See application file for complete search history.

(56) **References Cited**

U.S. PATENT DOCUMENTS

D242,936 S *	1/1977	Docic	D21/693
D263,328 S *	3/1982	Cooper	D21/693
4,406,453 A *	9/1983	Herzfeld	A63B 21/0004 482/126
D288,460 S *	2/1987	Hsu	D21/693
D300,338 S *	3/1989	Kunio	D21/684
4,852,874 A *	8/1989	Sleichter, III	A63B 21/0004 482/122
D305,678 S *	1/1990	Kunio	D21/684
5,031,906 A *	7/1991	Jang, Sr.	A63B 21/0004 482/125
D330,739 S *	11/1992	Yang	D21/693
D352,079 S *	11/1994	Kang	D21/692
5,547,446 A *	8/1996	Szabo	A63B 21/0004 482/121
5,569,125 A *	10/1996	Clementi	A63B 21/045 482/126

5,885,196 A *	3/1999	Gvoich	A63B 21/0004 482/122
6,390,959 B1 *	5/2002	Tornabene	A63B 21/00043 482/122
D464,095 S *	10/2002	Yu	D21/662
D508,097 S *	8/2005	Perez	D21/662
D516,638 S *	3/2006	Felberg	D21/662

(Continued)

OTHER PUBLICATIONS

Amazon, "GoFitness_Bar" Feb. 28, 2019. [*Primary Examiner* — Cynthia Ramirez
Assistant Examiner — Michael A Maharajh
\(74\) *Attorney, Agent, or Firm* — Dicke, Billig & Czaja, PLLC](https://www.amazon.com/dp/B07MG3DF1R/ref=sspa_dk_detail_0?psc=1&pd_rd_i=B07MG3DF1R&pd_rd_w=9rIp9&pf_rd_p=45a72588-80f7-4414-9851-786f6c16d42b&pd_rd_wg=ZWqee&pf_rd_r=69AM2P6VST7TK9BS3ST1&pd_rd_r=bc044950-6dac-493d-8947-6b7c50742202&spLa=ZW5jcnlwdGVkUXVhbGlmaWVyPU(Year: 2019).*</p></div>
<div data-bbox=)

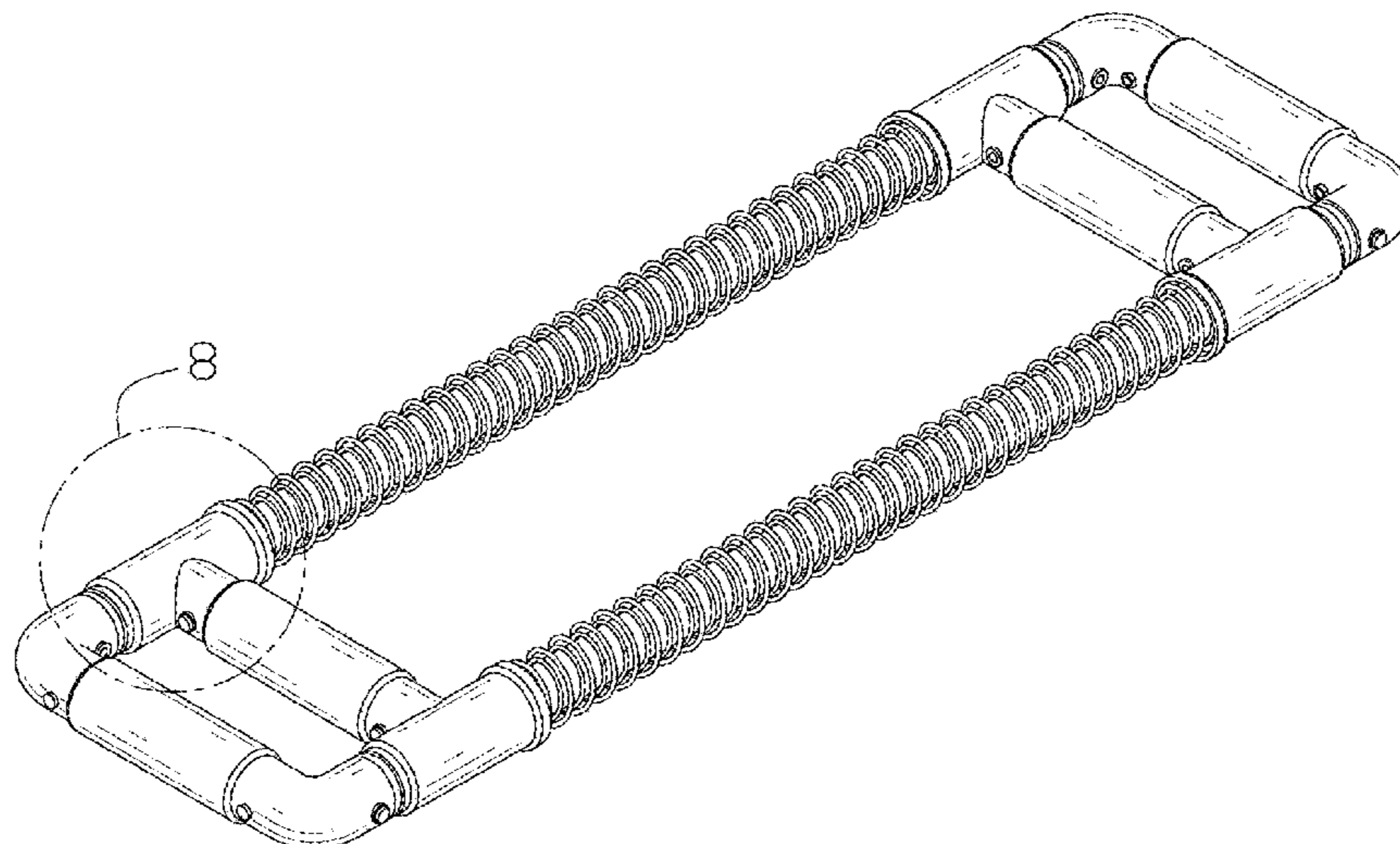
(57) **CLAIM**

The ornamental design for an apparatus for developing muscles, as shown and described.

DESCRIPTION

FIG. 1 is a top perspective view of an apparatus for developing muscles showing my new design; FIG. 2 is a top plan view thereof; FIG. 3 is a bottom plan view thereof; FIG. 4 is a left side elevational view thereof; FIG. 5 is a right side elevational view thereof; FIG. 6 is a front elevational view thereof; FIG. 7 is a rear elevational view thereof; and, FIG. 8 is an enlarged view of the portion shown in FIG. 1. The broken line circles in the drawings are for the purposes of illustrating specific portions of the apparatus for developing muscles. The circles form no part of the claimed design.

1 Claim, 8 Drawing Sheets



(56)

References Cited

U.S. PATENT DOCUMENTS

7,192,390	B2 *	3/2007	Berard	A63B 21/0004 482/121
7,377,886	B2 *	5/2008	Wu	A63B 21/0004 482/121
8,602,951	B2 *	12/2013	Morris	A63B 21/0004 403/202
8,876,678	B2 *	11/2014	Flentye	A63B 21/0552 482/121
8,920,293	B1 *	12/2014	Rosaly	A63B 21/0555 482/121
D864,319	S *	10/2019	Mantione, III	D21/692
2006/0030463	A1 *	2/2006	Maloy	A63B 23/1245 482/126
2006/0073954	A1 *	4/2006	Block	A63B 21/0004 482/121
2006/0189459	A1 *	8/2006	Hsu	A63B 21/0004 482/125
2006/0234844	A1 *	10/2006	Kates	A63B 21/0004 482/140
2007/0207904	A1 *	9/2007	Wu	A63B 21/0004 482/126
2011/0172067	A1 *	7/2011	Glauser	A63B 21/0004 482/122
2011/0269607	A1 *	11/2011	Choi	A63B 21/0004 482/126
2014/0221177	A1 *	8/2014	Reed	A63B 21/00043 482/126
2016/0193490	A1 *	7/2016	Chen	A63B 21/00061 482/126
2017/0209728	A1 *	7/2017	Lagree	A63B 21/023
2019/0015696	A1 *	1/2019	Porterfield	A63B 21/4049

* cited by examiner

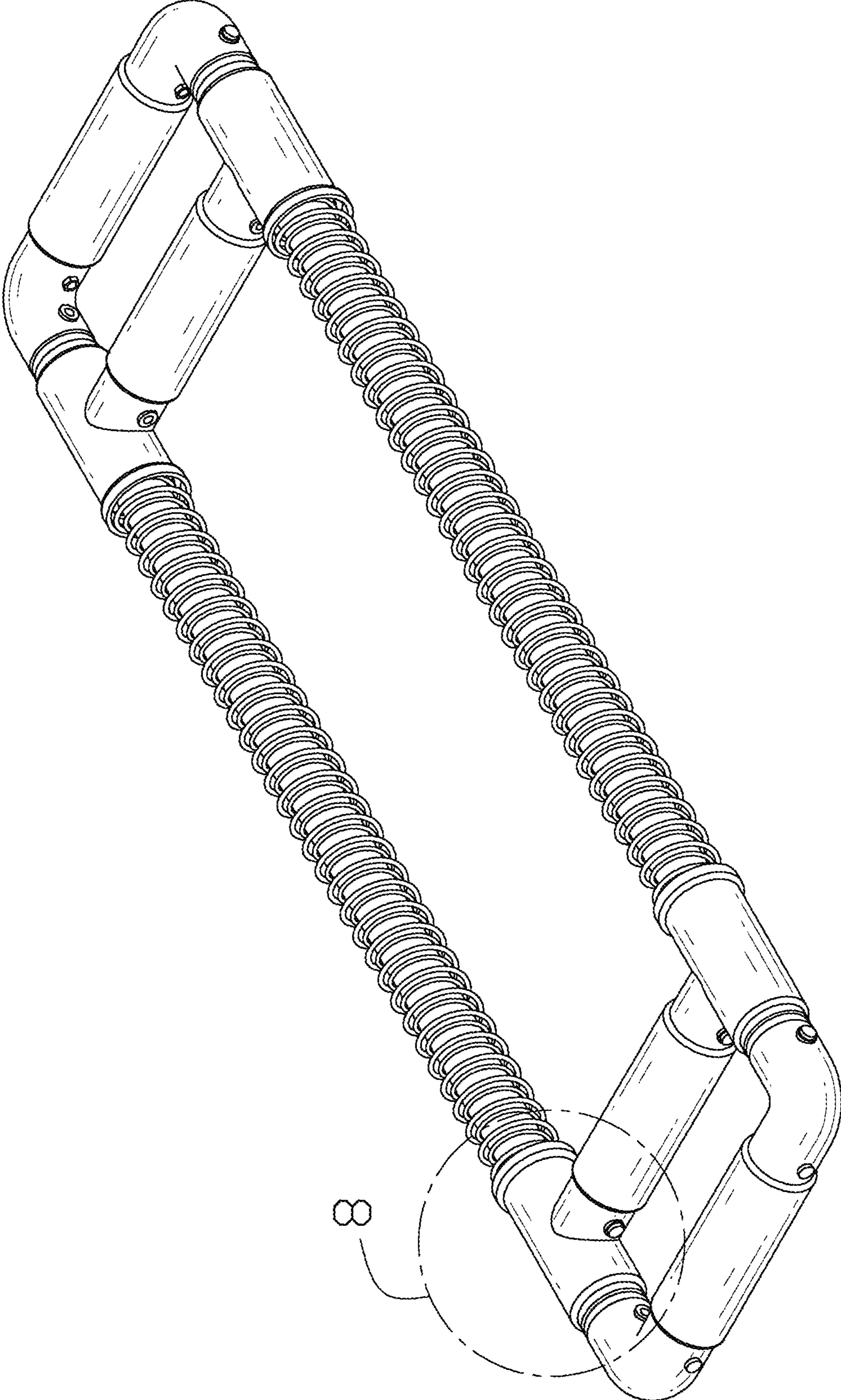


FIG. 1

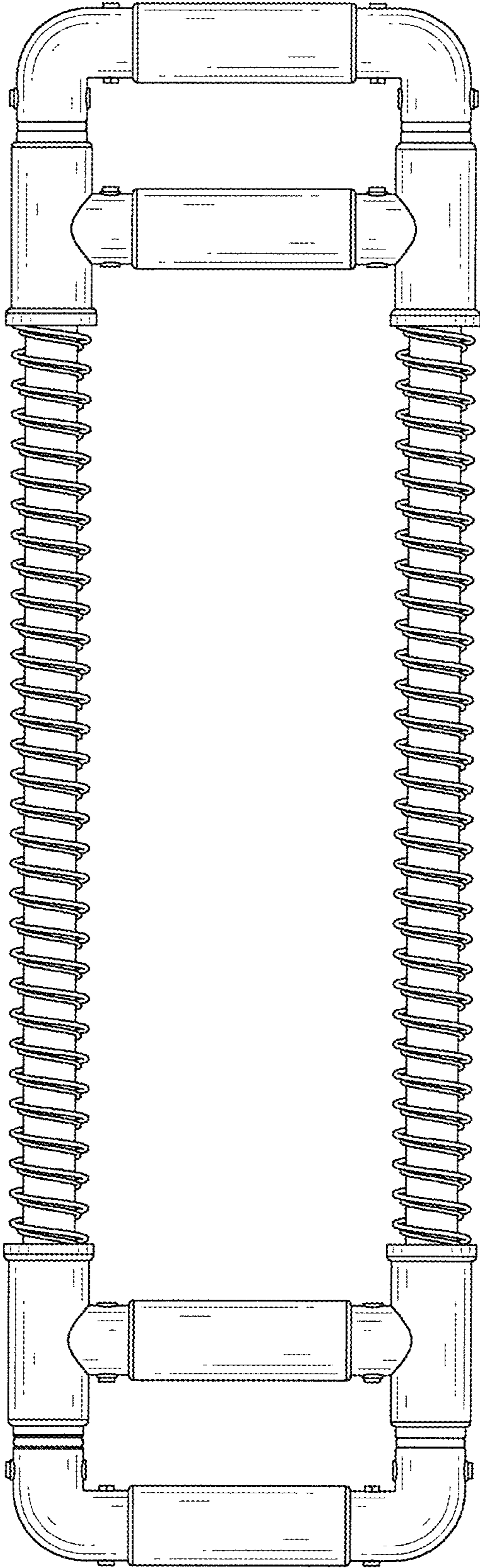


FIG. 2

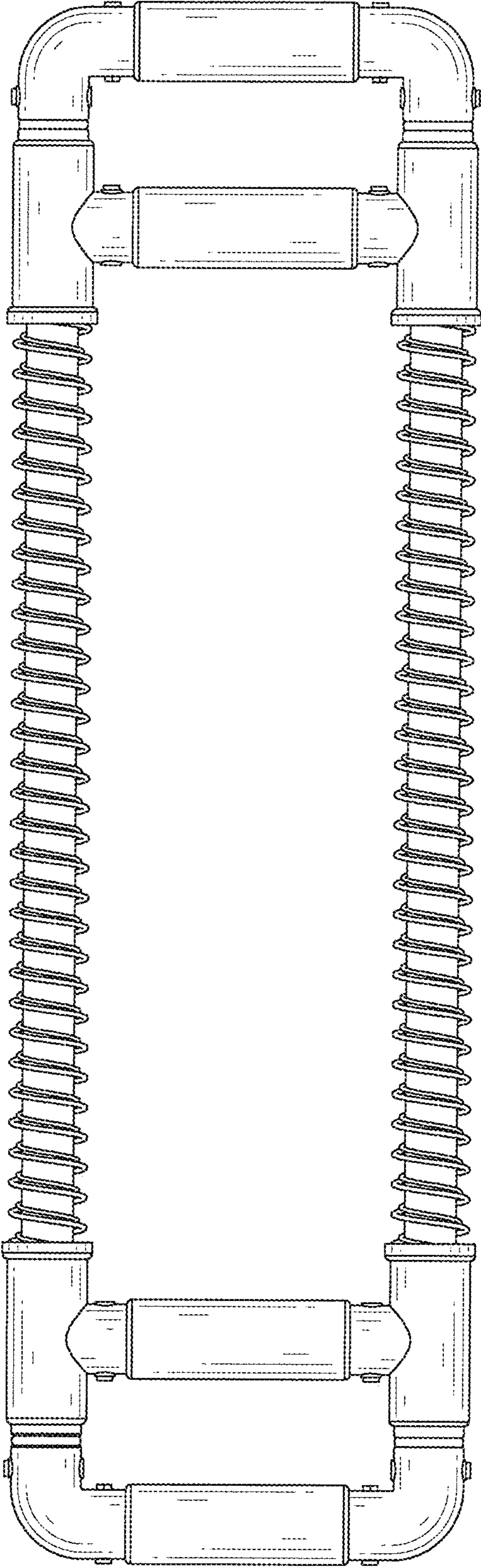


FIG. 3

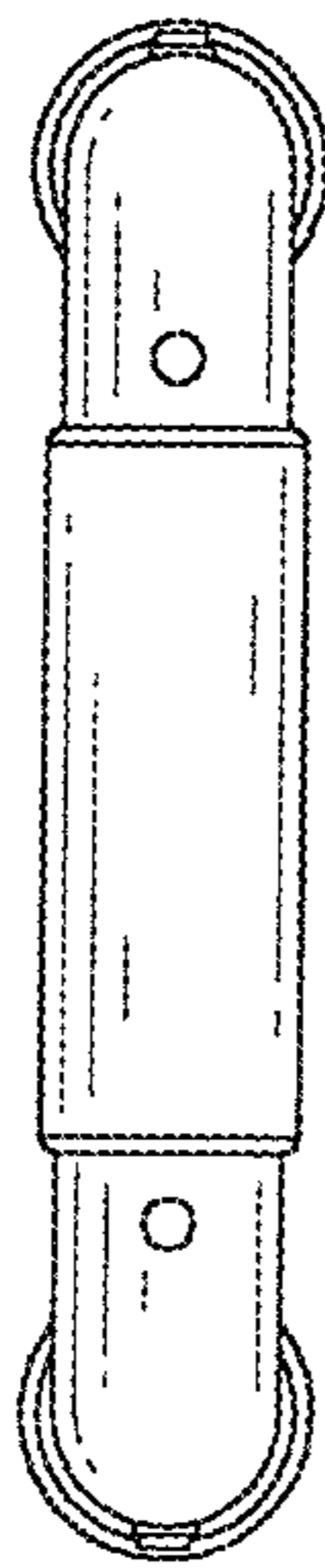


FIG. 4



FIG. 5

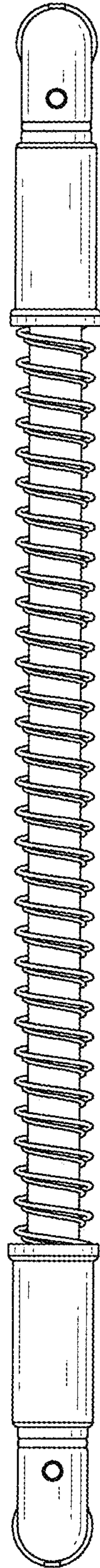


FIG. 6

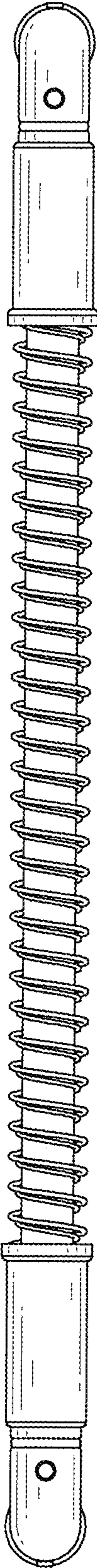


FIG. 7

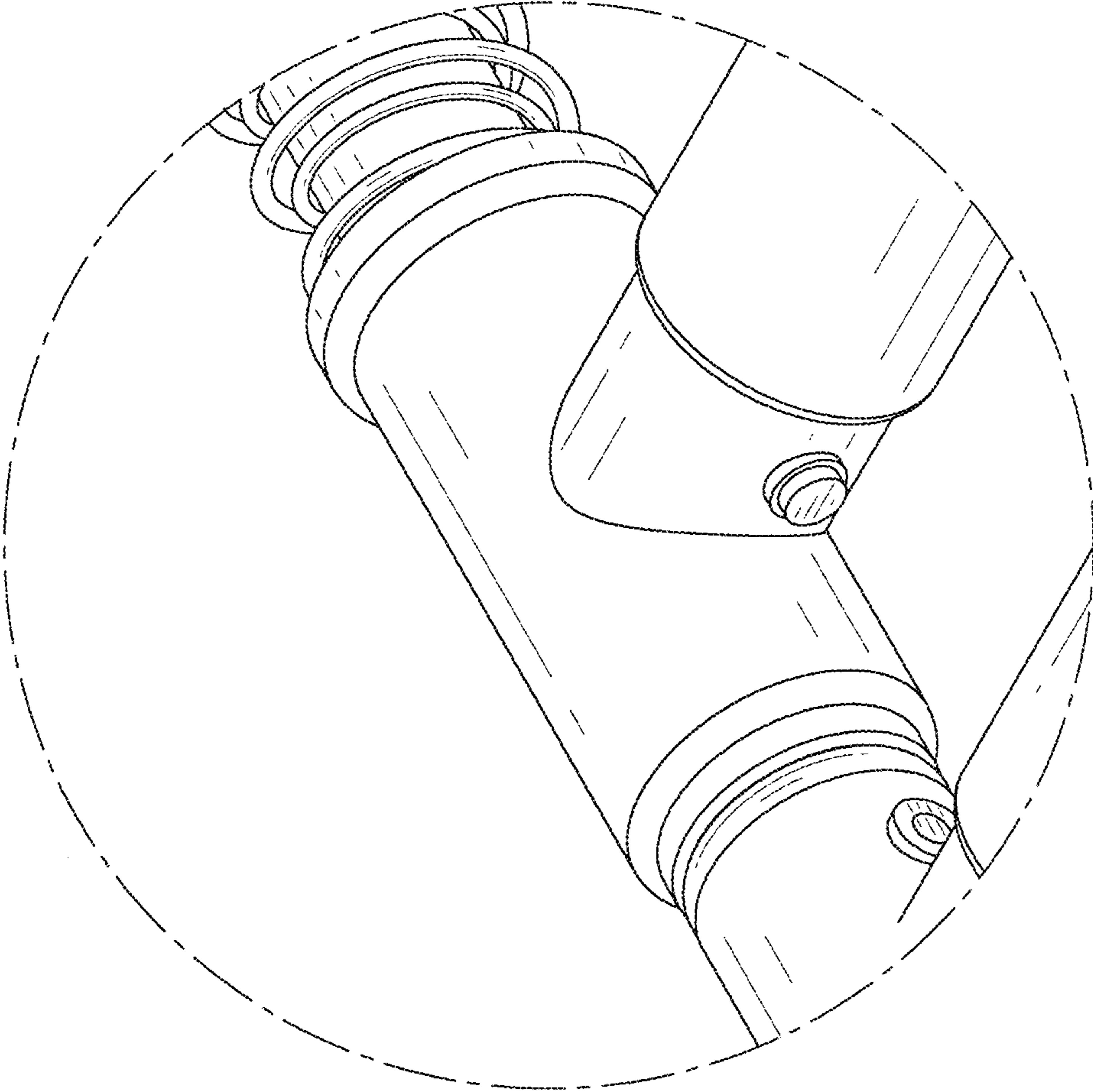


FIG. 8