



US00D879218S

(12) **United States Design Patent**
Jones

(10) **Patent No.:** **US D879,218 S**
(45) **Date of Patent:** **** Mar. 24, 2020**

(54) **STANDING CALF RAISE EXERCISE MACHINE**

(71) Applicant: **Fabian Jones**, Houston, TX (US)

(72) Inventor: **Fabian Jones**, Houston, TX (US)

(**) Term: **15 Years**

(21) Appl. No.: **29/667,785**

(22) Filed: **Oct. 24, 2018**

(51) **LOC (12) Cl.** **21-02**

(52) **U.S. Cl.**
USPC **D21/686**

(58) **Field of Classification Search**
USPC 428/52, 94, 95, 96, 97, 98, 99, 101, 102,
428/133, 142; D21/662, 665, 671, 673,
D21/675, 676, 686
CPC A63B 2225/093; A63B 2023/006; A63B
2208/0204; A63B 23/0216; A63B
21/0615

See application file for complete search history.

(56) **References Cited**

U.S. PATENT DOCUMENTS

- 5,244,444 A * 9/1993 Wostry A63B 21/0615
482/97
- 5,383,831 A * 1/1995 Drath A63B 23/0405
482/101
- 5,529,558 A * 6/1996 Koenig A63B 21/0615
482/137
- 5,637,063 A * 6/1997 Fuller, Sr. A63B 21/0615
482/137
- 5,711,749 A * 1/1998 Miller A63B 23/0222
482/111
- 5,792,027 A * 8/1998 Gvoich A63B 22/001
482/52
- D408,874 S * 4/1999 Kuo D21/665
- D431,615 S * 10/2000 Webber D21/675
- D438,918 S * 3/2001 Batca D21/675
- 6,220,993 B1 * 4/2001 Sencil A63B 21/0615
482/137

- 6,312,365 B1 * 11/2001 Koenig A63B 21/0615
482/93
- D481,428 S * 10/2003 Giannelli D21/675
- D490,128 S * 5/2004 Giannelli D21/675
- 6,921,356 B1 * 7/2005 Habing A63B 23/12
482/100
- D509,549 S * 9/2005 Carter D21/694
- D513,289 S * 12/2005 Panatta D21/676
- 7,935,038 B2 * 5/2011 Tyree A63B 23/0494
482/137

(Continued)

OTHER PUBLICATIONS

Achilles3dx, "Angled Standing Calf Raise", Jan. 2, 2020. <https://achilles3dx.com/angled-standing-calf-raise/>. Shown on p. 1. (Year: 2020).*

Primary Examiner — Cynthia Ramirez
Assistant Examiner — Michael A Maharajh
(74) *Attorney, Agent, or Firm* — Quickpatents, LLC;
Kevin Prince

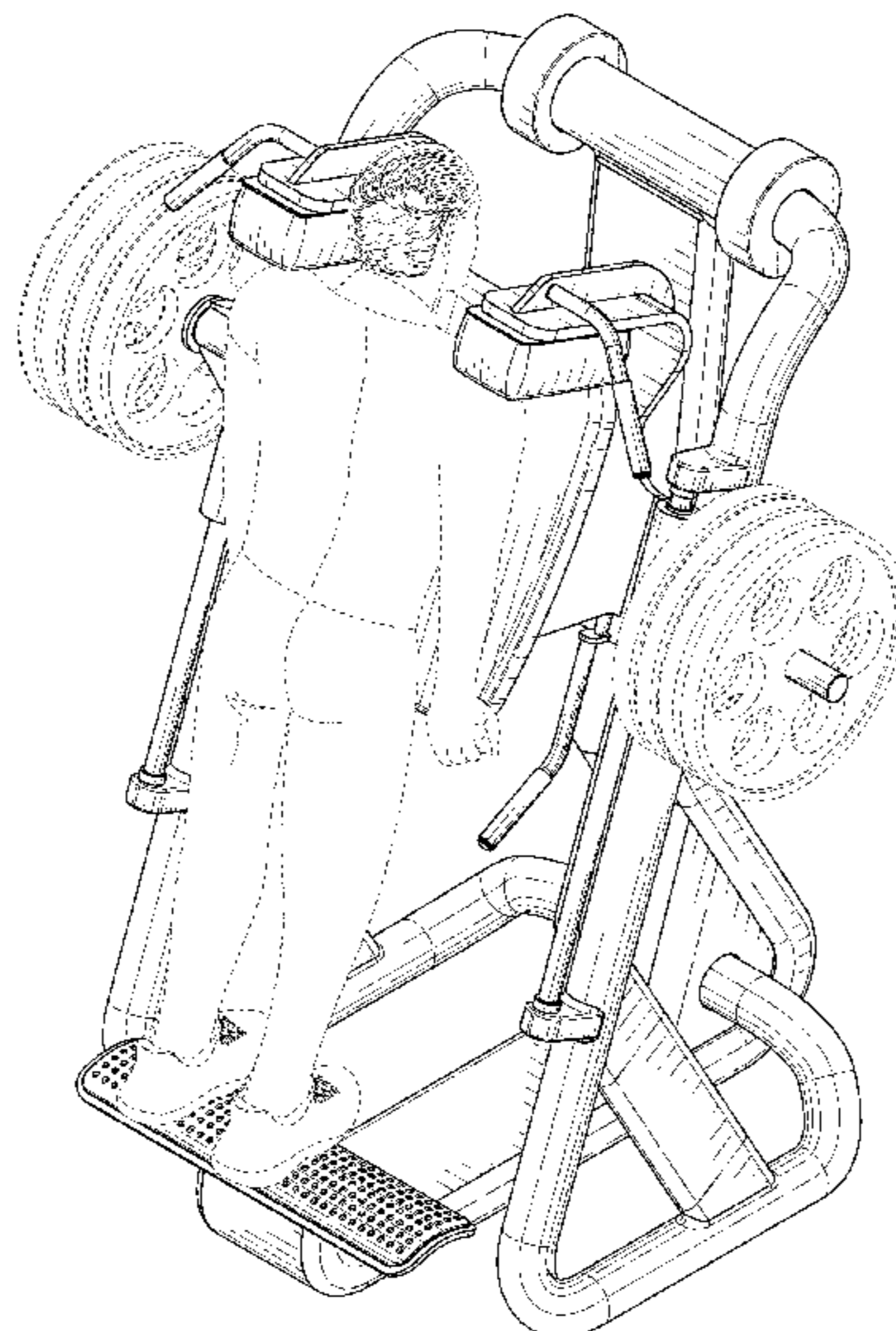
(57) **CLAIM**

I claim the ornamental design for a standing calf raise exercise machine, as shown and described.

DESCRIPTION

FIG. 1 is a front perspective view of a standing calf raise exercise machine, showing my new design; FIG. 2 is a rear perspective view thereof; FIG. 3 is a front elevational view thereof; FIG. 4 is a rear elevational view thereof; FIG. 5 is a left-side elevational view thereof; FIG. 6 is a right-side elevational view thereof; FIG. 7 is a top plan view thereof; and, FIG. 8 is a bottom plan view thereof. The broken lines showing weights and a person in FIG. 1 depict environmental matter and form no part of the claimed design.

1 Claim, 8 Drawing Sheets



(56)

References Cited

U.S. PATENT DOCUMENTS

7,963,895 B2 *	6/2011	Nohejl	A63B 21/0615 482/140	2011/0245047 A1 *	10/2011	Dellino	A63B 21/0615 482/97
D641,809 S *	7/2011	Thulin	D21/662	2012/0238418 A1 *	9/2012	Reyes	A63B 21/08 482/121
D661,357 S *	6/2012	Du	D21/662	2013/0065738 A1 *	3/2013	Henniger	A63B 21/0724 482/104
D804,594 S *	12/2017	Jones	D21/694	2013/0109542 A1 *	5/2013	Hockridge	A63B 21/062 482/94
D854,637 S *	7/2019	Adams	D21/686	2014/0106943 A1 *	4/2014	Simonetti	A63B 71/0036 482/98
2006/0003873 A1 *	1/2006	Kobayashi	A63B 21/005 482/92	2015/0038301 A1 *	2/2015	Todd	A63B 23/0216 482/97
2007/0054788 A1 *	3/2007	Johnston	A63B 21/155 482/97	2015/0111708 A1 *	4/2015	Smith	A63B 23/03525 482/98
2007/0093363 A1 *	4/2007	Sharps	A63B 23/03525 482/94	2015/0133274 A1 *	5/2015	Simonetti	A63B 21/063 482/98
2007/0117690 A1 *	5/2007	Webber	A63B 21/00072 482/94	2015/0148200 A1 *	5/2015	Miller	A63B 21/00076 482/97
2007/0287606 A1 *	12/2007	Mac Millan	A63B 23/0244 482/97	2016/0114205 A1 *	4/2016	Giunchi	A63B 71/0054 482/127
2009/0291812 A1 *	11/2009	Shinden	A63B 21/156 482/94	2016/0184629 A1 *	6/2016	Hornback	A63B 21/0442 482/98
2010/0248917 A1 *	9/2010	Reyes	A63B 23/04 482/133	2016/0199688 A1 *	7/2016	Briley	A63B 21/0615 482/97
2010/0285932 A1 *	11/2010	Fisher	A63B 21/0615 482/93	2016/0346586 A1 *	12/2016	Pullins	A63B 21/0615
2011/0015047 A1 *	1/2011	McCann	A63B 21/153 482/133	2017/0080287 A1 *	3/2017	Jaquish	A63B 23/03525
				2017/0106230 A1 *	4/2017	Kelly	A63B 21/00065

* cited by examiner

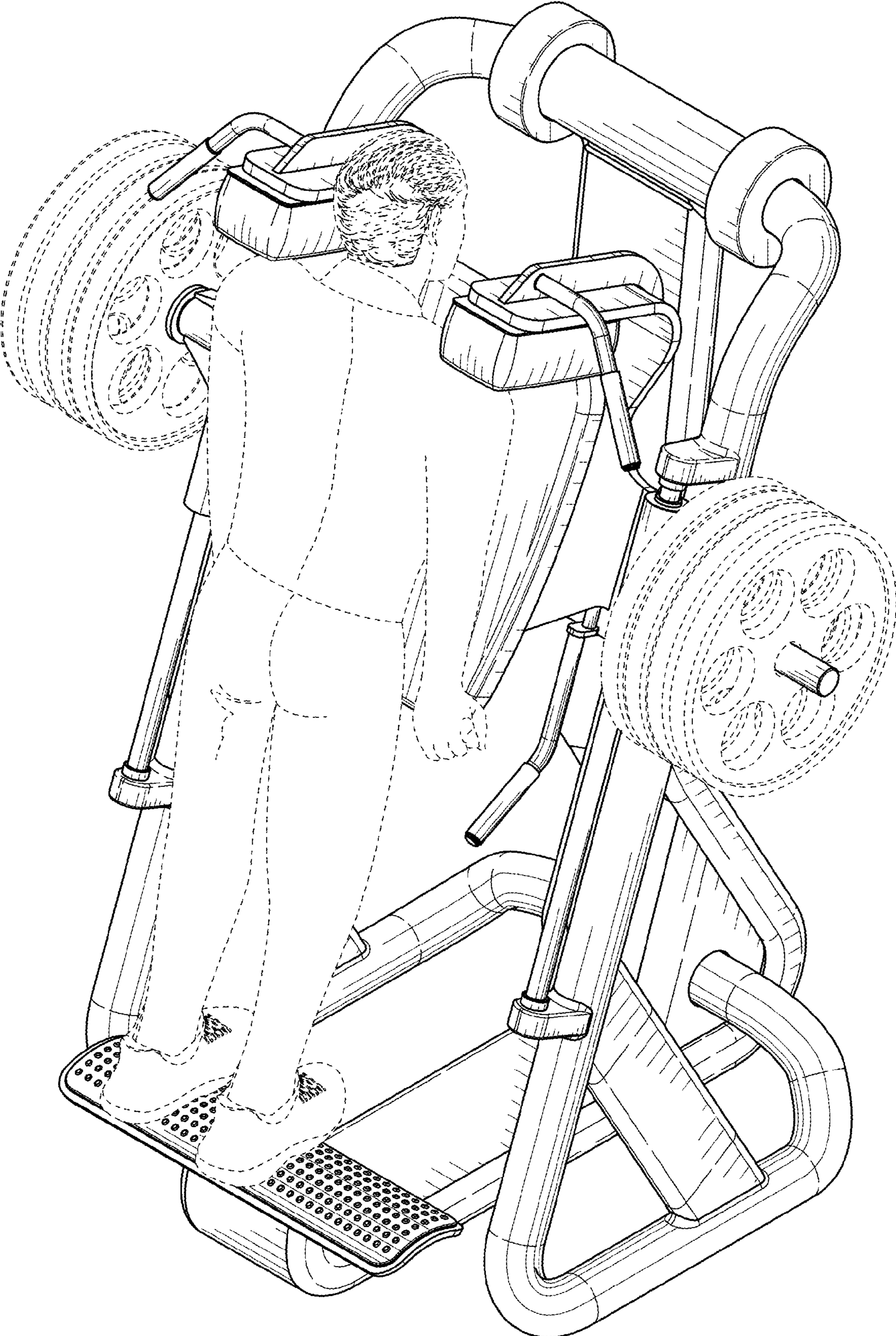


FIG. 1

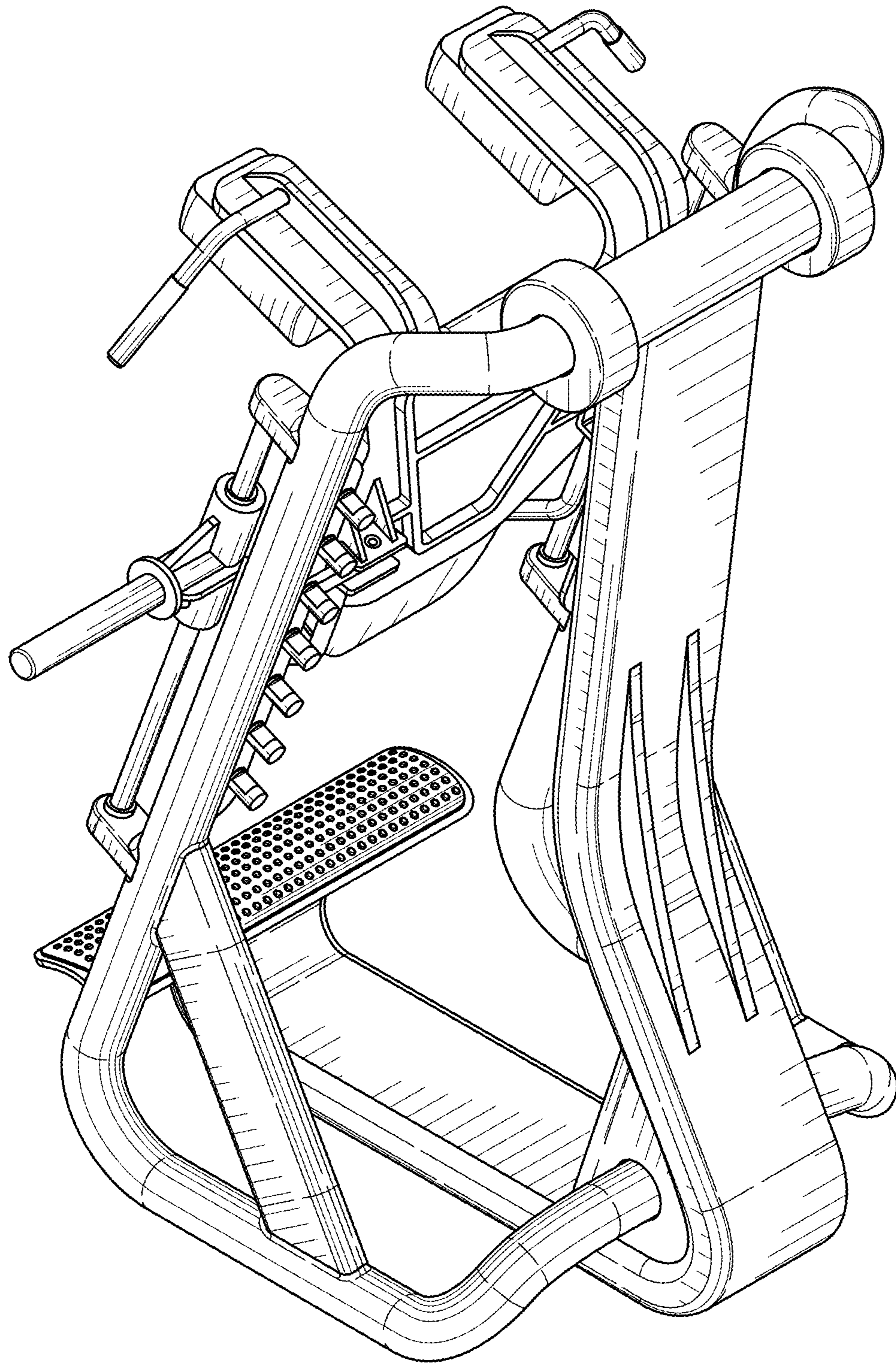


FIG. 2

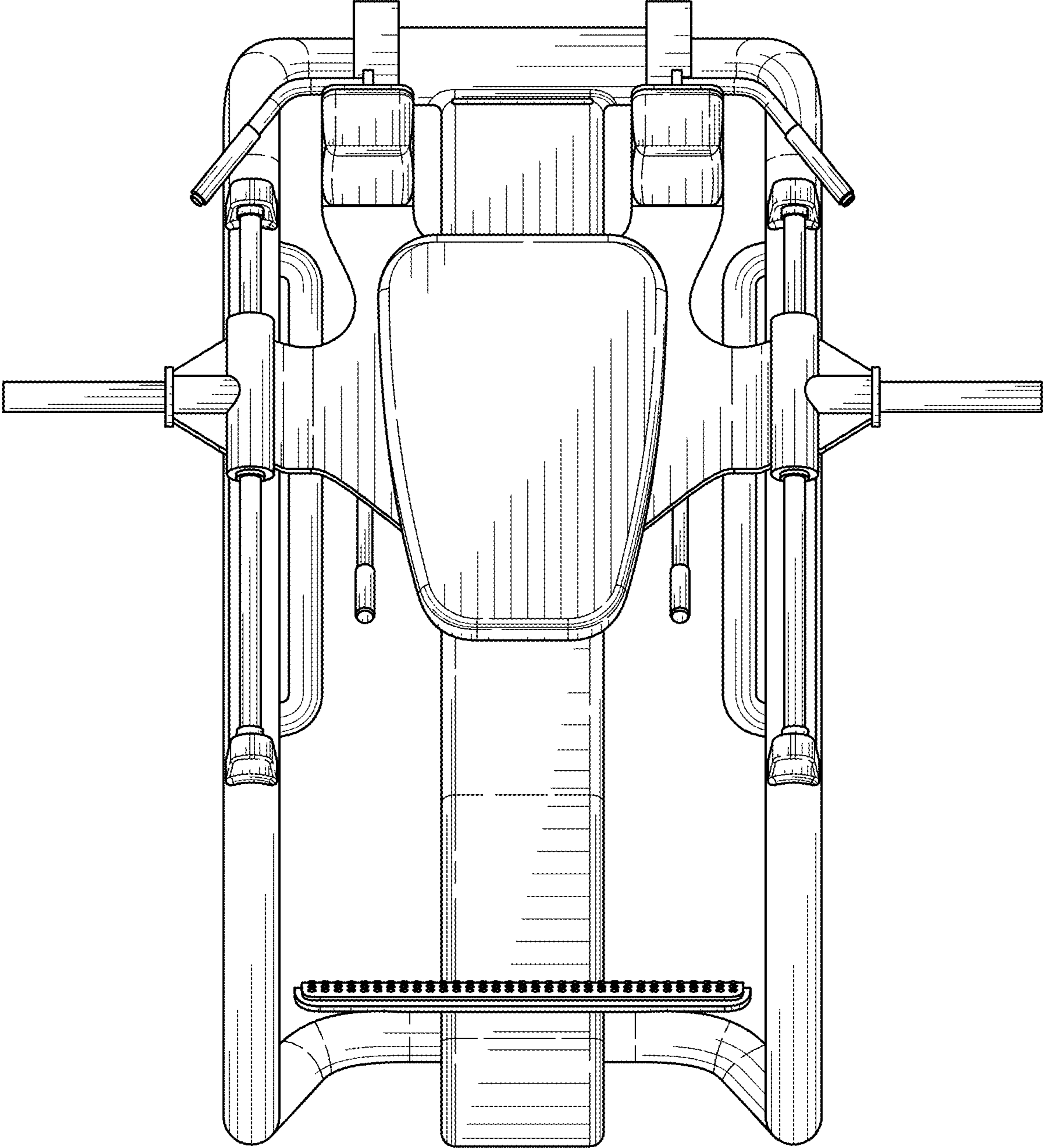


FIG. 3

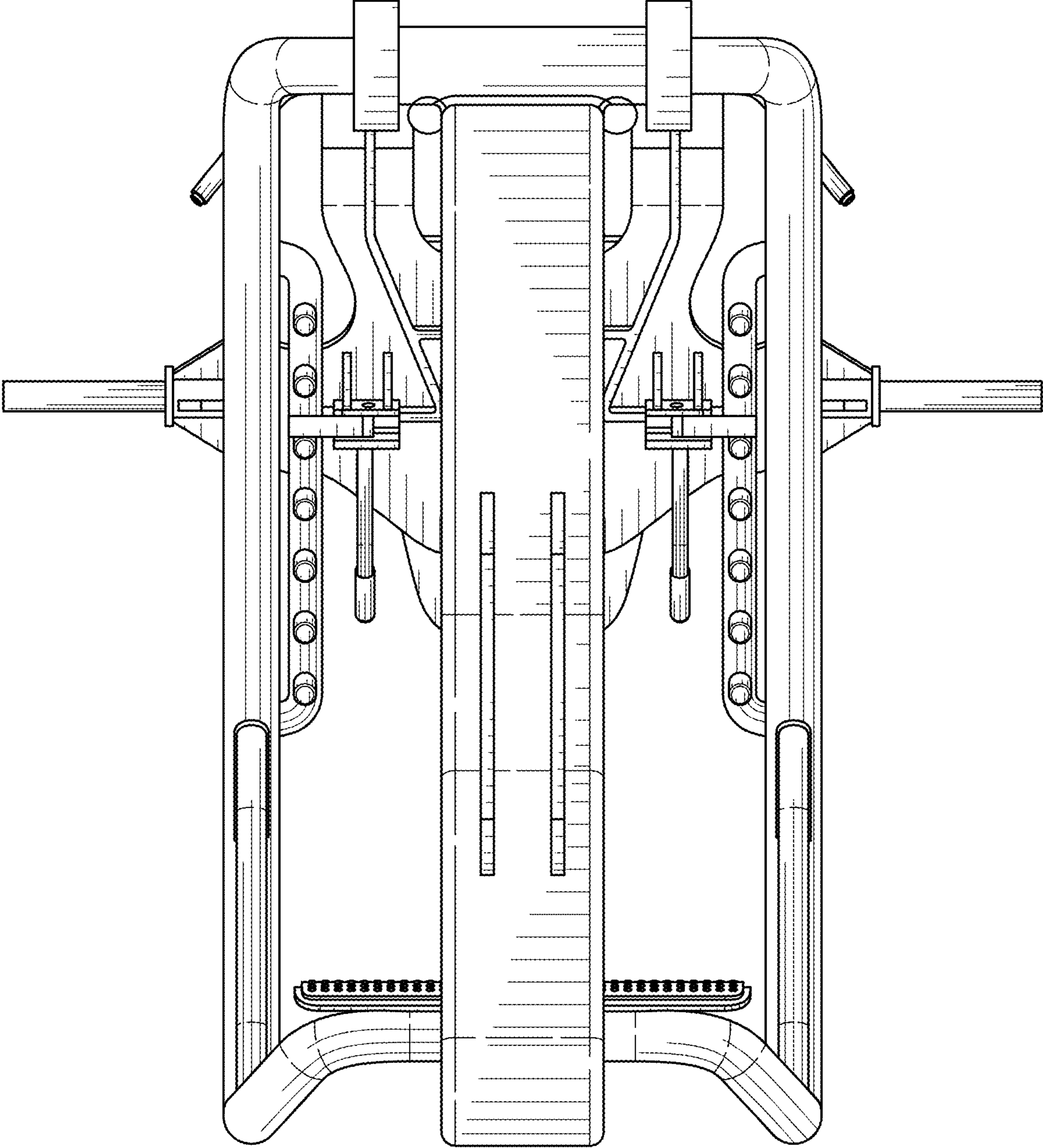


FIG. 4

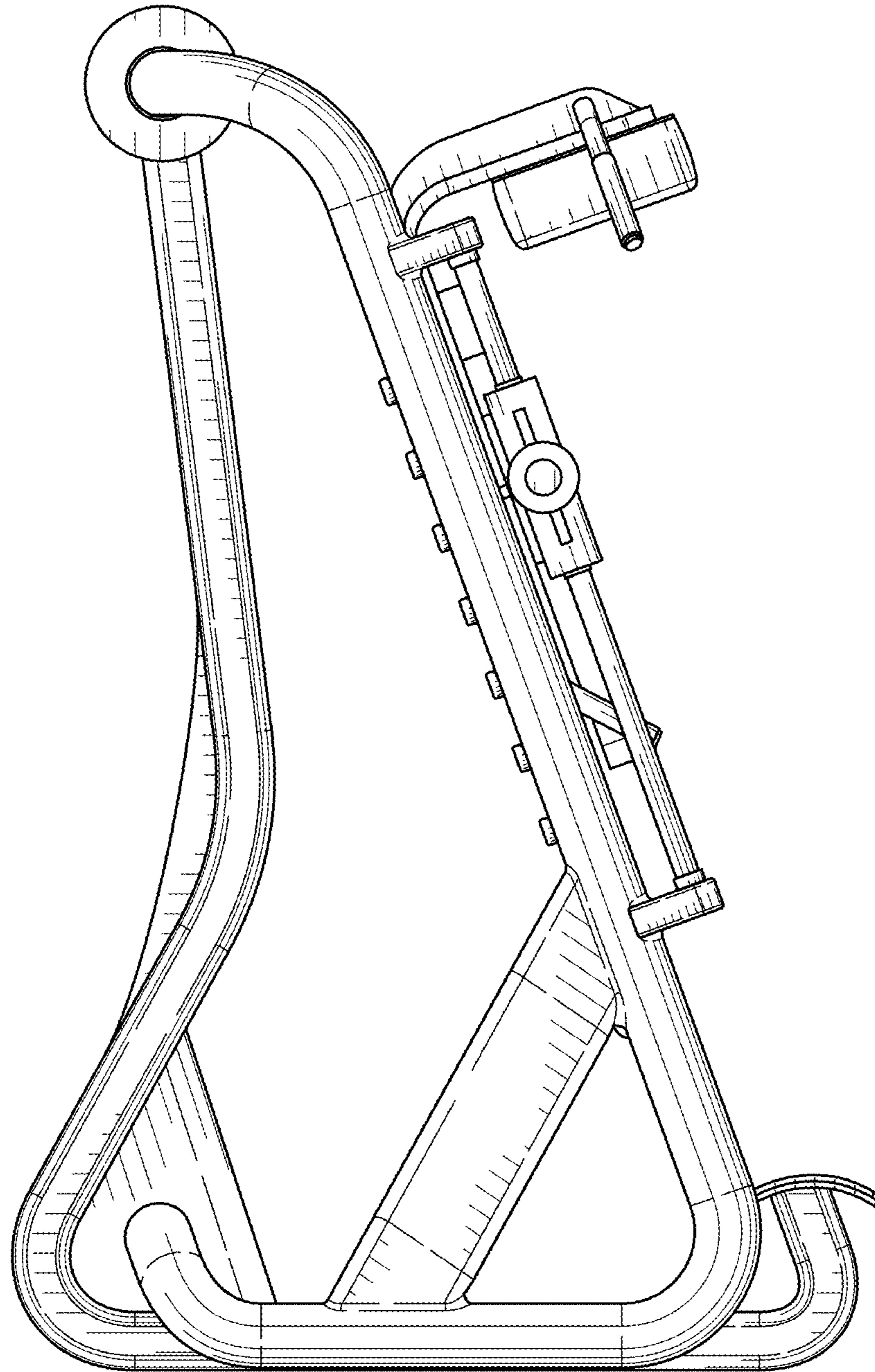


FIG. 5

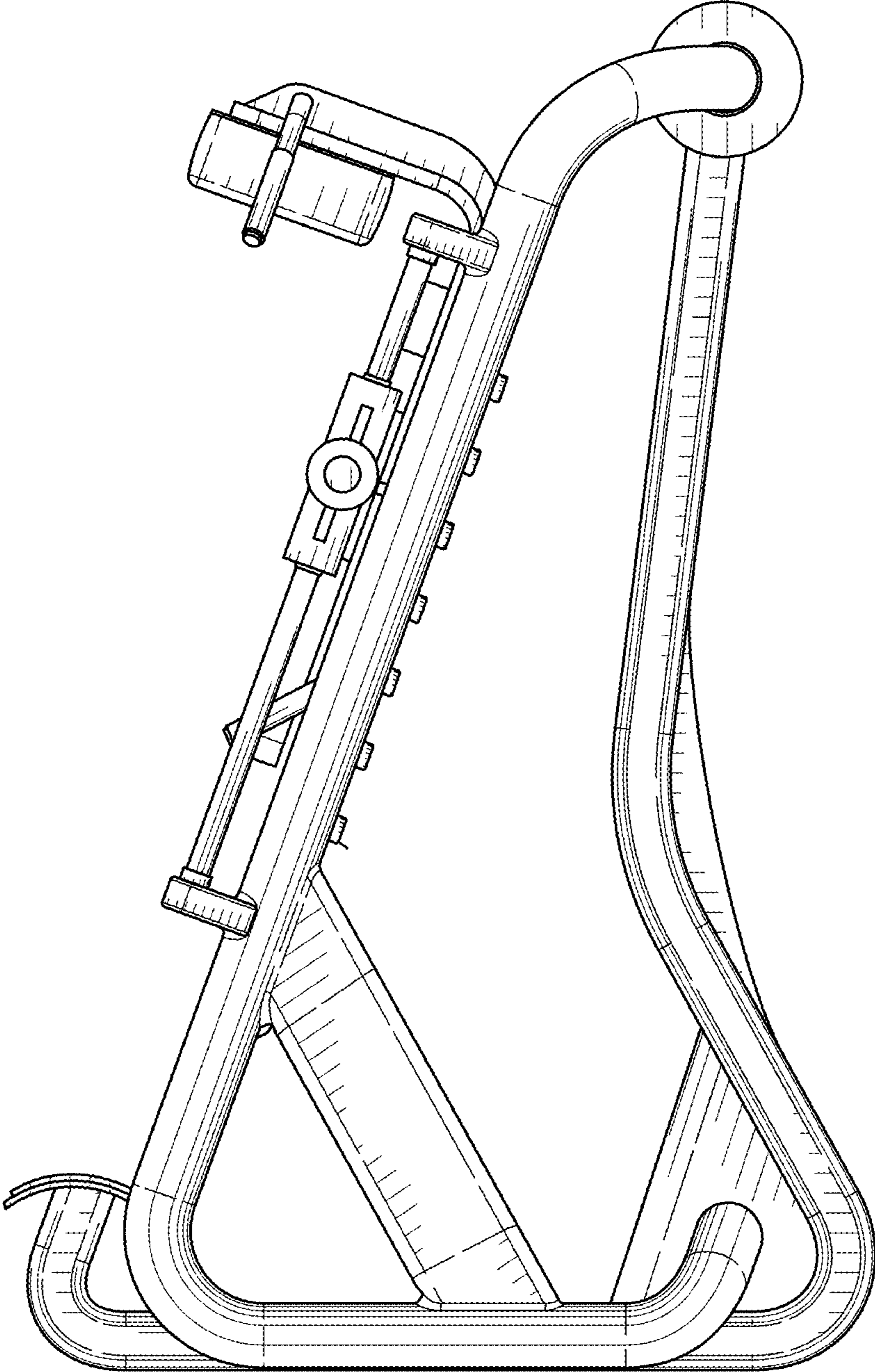


FIG. 6

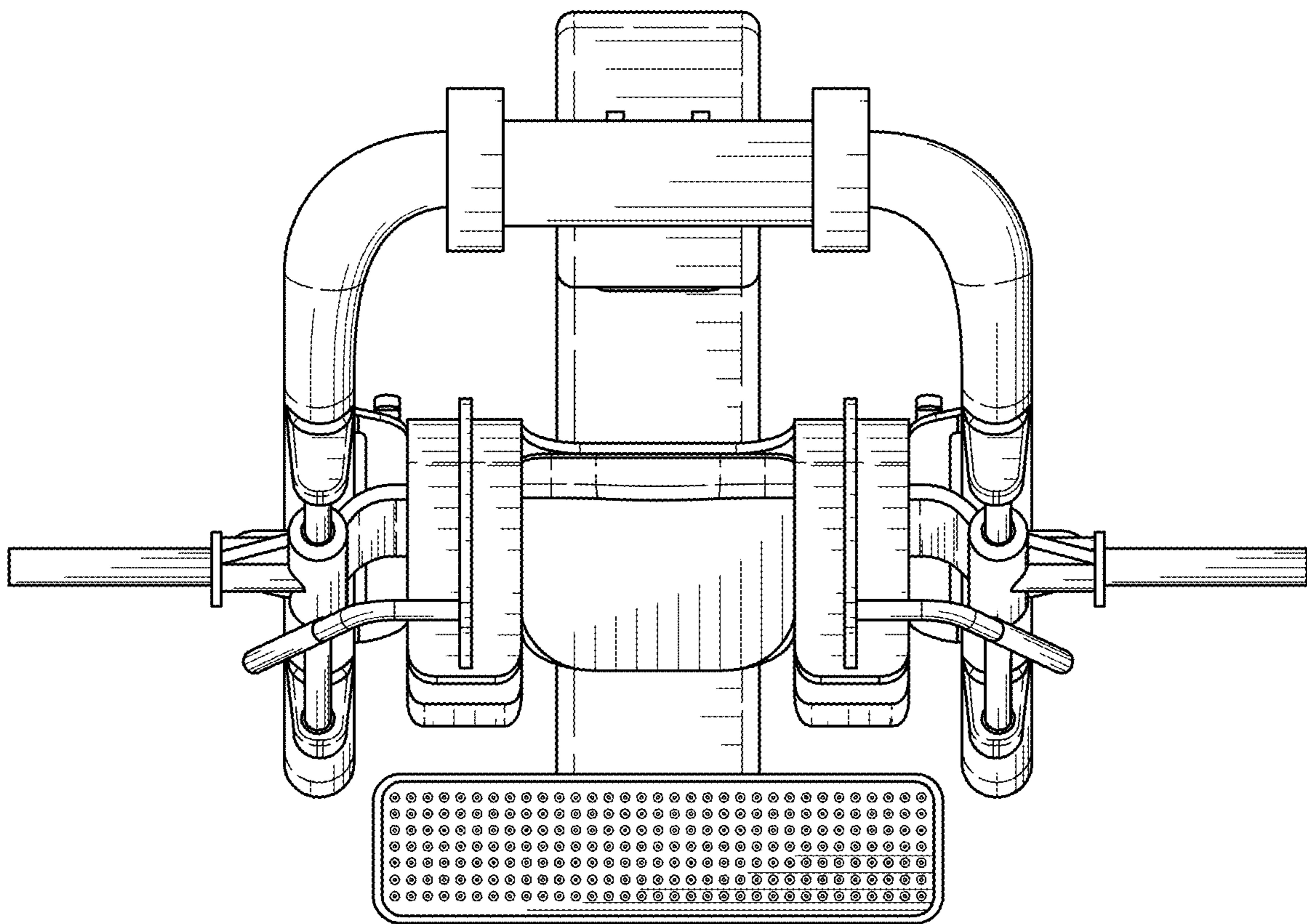


FIG. 7

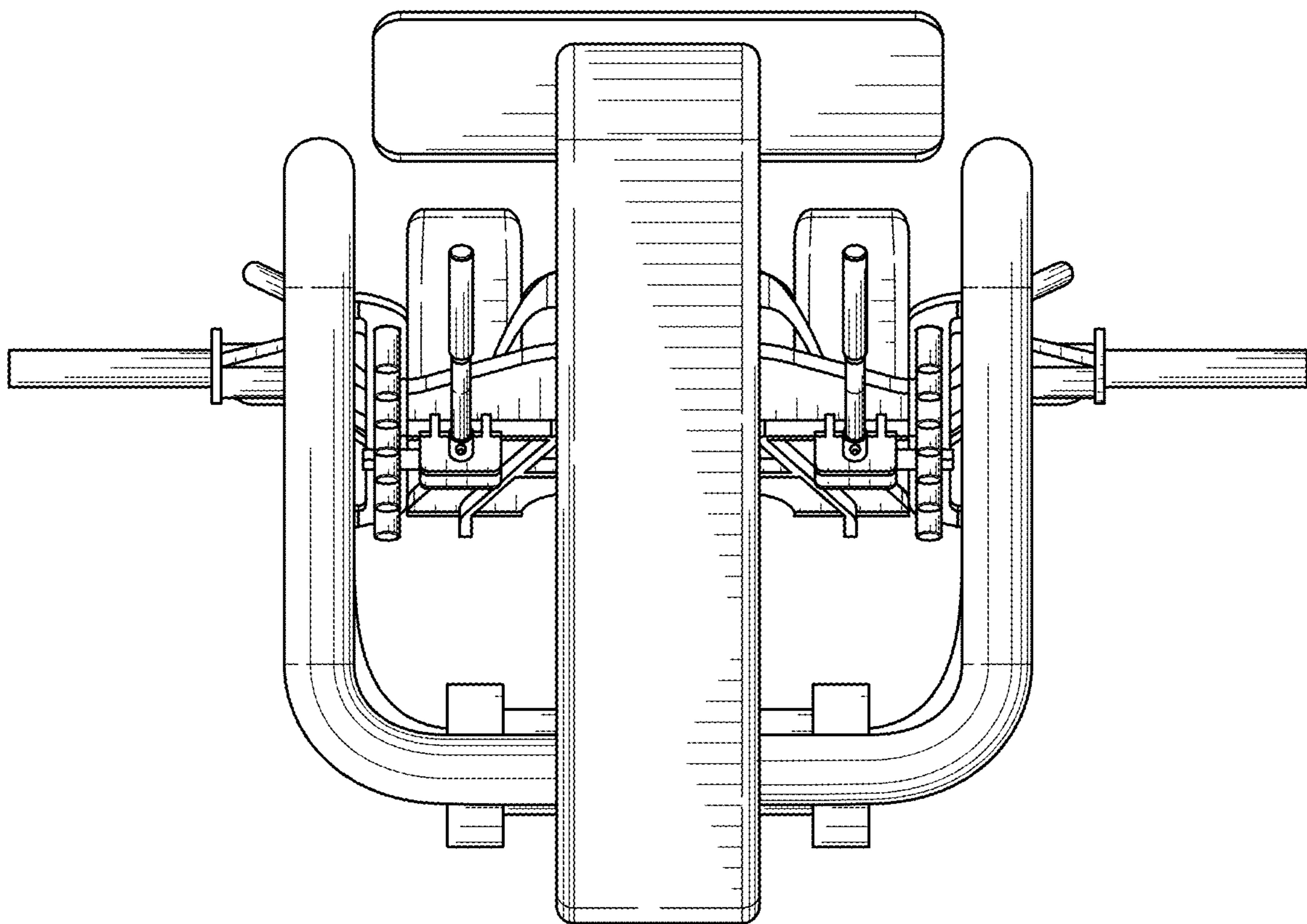


FIG. 8