



US00D879217S

(12) **United States Design Patent**
Dunahay

(10) **Patent No.:** **US D879,217 S**
(45) **Date of Patent:** **** Mar. 24, 2020**

(54) **WALL MOUNT**

FOREIGN PATENT DOCUMENTS

(71) Applicant: **Coulter Ventures LLC**, Columbus, OH (US)

EP 2400205 A1 12/2011
WO 2008054720 A2 5/2008
WO 2009003280 A1 1/2009

(72) Inventor: **Nash Dunahay**, Gahanna, OH (US)

OTHER PUBLICATIONS

(73) Assignee: **Coulter Ventures, LLC.**, Columbus, OH (US)

Product listing for Rogue V2 Face Mount Pull-up Bar for Monster Lite from <https://web.archive.org/web/20161105161238/https://www.roguefitness.com/rogue-v2-face-mount-pull-up-bar-for-monster-lite>, dated Nov. 5, 2016.

(*) Notice: Patent file contains an affidavit/declaration under 37 CFR 1.130(b).

(Continued)

(**) Term: **15 Years**

Primary Examiner — Cynthia Ramirez
Assistant Examiner — Michael A Maharajh
(74) *Attorney, Agent, or Firm* — Banner & Witcoff, Ltd.

(21) Appl. No.: **29/650,259**

(22) Filed: **Jun. 5, 2018**

(51) **LOC (12) Cl.** **21-02**

(52) **U.S. Cl.**
USPC **D21/686; D8/354**

(57) **CLAIM**

(58) **Field of Classification Search**
USPC 312/351.1, 351.3, 351.5; 482/92, 94, 98, 482/99, 101, 104; D21/662, 673, 686, D21/691, 694, 826; D25/62, 66, 68, 119, D25/126, 136; D6/329; D8/323, 354
CPC A63B 21/0047; A63B 1/00; A63B 21/16; A63B 22/0046; A63B 21/078; A63B 21/169; A63B 2225/10; A63B 71/023
See application file for complete search history.

The ornamental design for a wall mount, as shown and described.

DESCRIPTION

(56) **References Cited**

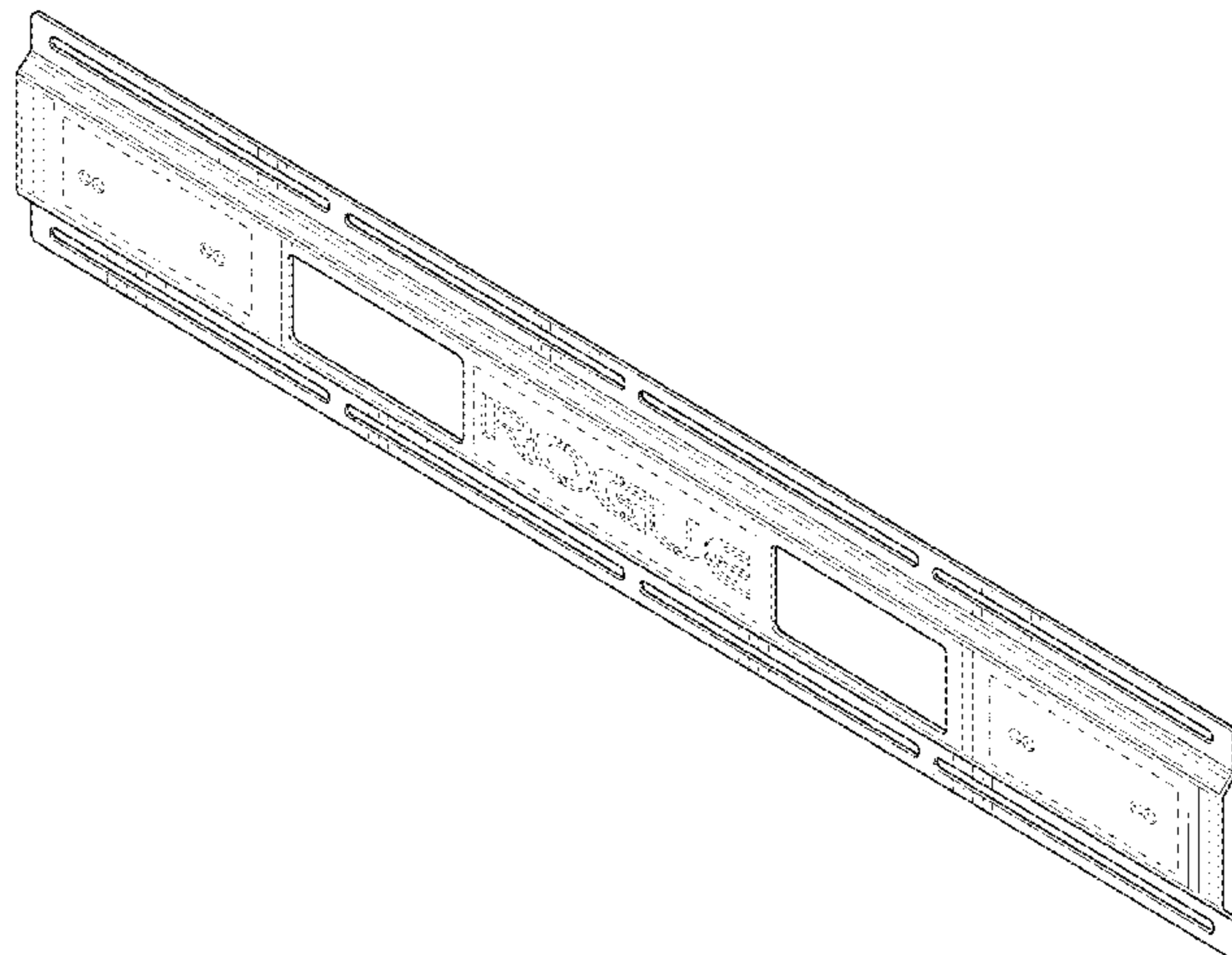
U.S. PATENT DOCUMENTS

D47,725 S *	8/1915	Heulings	D25/121
D47,726 S *	8/1915	Heulings	D25/119
1,410,149 A	3/1922	Williams		
2,855,200 A	10/1958	Blickman		
D210,469 S	3/1968	Sejersen		
D264,756 S *	6/1982	Andersson	D25/126
D265,111 S *	6/1982	Lynn	D21/673
D269,691 S	7/1983	Ornstein et al.		
D273,334 S *	4/1984	Young	D25/126
D273,619 S *	4/1984	Young	D25/126
D273,711 S *	5/1984	Young	D25/126

FIG. 1 is a top, front, right perspective view of a wall mount showing my new design;
FIG. 2 is a front view thereof;
FIG. 3 is a top view thereof;
FIG. 4 is a bottom view thereof;
FIG. 5 is a right side view thereof; and,
FIG. 6 is a left side view thereof.
The broken lines immediately adjacent to the shaded area are directed to boundary lines, which form no part of the claimed design. The broken lines in the drawings are for the purpose of illustrating portions of the wall mount, which form no part of the claimed design. The letters R.O.G.U.E shown broken lines are for the purpose of illustrating environmental structure, which form no part of the claimed design.

(Continued)

1 Claim, 5 Drawing Sheets



(56)

References Cited

U.S. PATENT DOCUMENTS

D273,997 S * 5/1984 Ryan D25/126
 D276,656 S * 12/1984 Lindstrom D25/119
 D290,033 S 5/1987 Policastro
 D297,957 S 10/1988 Gordon, III
 4,961,295 A 10/1990 Kosch, Sr. et al.
 5,046,722 A 9/1991 Antoon
 5,273,506 A 12/1993 Dawson, Jr.
 D344,601 S * 2/1994 Jenkins D25/124
 5,290,209 A 3/1994 Wilkinson
 D355,005 S 1/1995 Voothanel, Jr.
 5,776,033 A 7/1998 Brown
 6,116,550 A 9/2000 Orbes
 6,129,651 A 10/2000 Denaro
 D484,617 S * 12/2003 Micheals D25/131
 D486,020 S 2/2004 Hoernig
 D486,337 S 2/2004 Hoernig
 D507,352 S * 7/2005 Vanderbrugghen D25/126
 D514,857 S 2/2006 Hoernig
 D523,322 S * 6/2006 Thurston D8/323
 D525,668 S 7/2006 Payne
 D554,209 S * 10/2007 Loucks D21/691
 7,316,379 B1 1/2008 Graham
 7,523,907 B2 4/2009 Chen
 D593,169 S 5/2009 Storch
 D596,761 S * 7/2009 Beland D25/68
 D613,883 S * 4/2010 Staten D25/126
 7,892,158 B2 2/2011 Varga
 D639,585 S * 6/2011 Shen D25/126
 D639,586 S * 6/2011 Selinger D25/126
 D639,587 S * 6/2011 Selinger D25/126
 8,079,915 B2 12/2011 Spencer et al.
 8,083,191 B2 * 12/2011 Lai H05K 7/1488
 248/188.2
 D659,854 S * 5/2012 Kligman D25/136
 D661,412 S * 6/2012 Kligman D25/136
 D682,955 S 5/2013 Stephan
 D703,773 S 4/2014 Henry
 D711,021 S * 8/2014 Singh D25/119
 D718,883 S * 12/2014 Thrush D25/124
 D718,884 S * 12/2014 Thrush D25/125
 8,992,395 B2 * 3/2015 Orakwusi A63B 21/1636
 482/106
 9,044,629 B2 6/2015 Ross
 D734,410 S * 7/2015 Childs D21/686
 D742,540 S * 11/2015 Singh D25/119
 D742,543 S * 11/2015 Singh D25/119
 9,192,799 B2 11/2015 Alenaddaf
 9,308,410 B2 4/2016 Beaver et al.
 D757,531 S * 5/2016 Rusher D8/394
 9,333,387 B2 5/2016 Hopperstad et al.
 D764,607 S 8/2016 Beckford et al.
 9,409,048 B1 8/2016 Hopperstad et al.
 9,498,670 B1 11/2016 Hopperstad et al.
 9,517,382 B2 12/2016 Payne
 9,649,525 B2 5/2017 Hopperstad et al.
 9,675,829 B1 6/2017 Katz
 9,700,761 B2 7/2017 Beaver et al.
 D799,306 S * 10/2017 Lee D8/354
 D801,547 S * 10/2017 Lopez D25/68
 D802,164 S * 11/2017 Lopez D25/68
 9,844,691 B2 12/2017 Hopperstad et al.
 D816,173 S 4/2018 Jackson
 D817,520 S * 5/2018 Gonzales D25/126

9,993,678 B2 6/2018 Hopperstad et al.
 D836,617 S * 12/2018 Shu D14/239
 D853,587 S * 7/2019 Jackson D25/119
 D853,588 S * 7/2019 Jackson D25/119
 D853,589 S * 7/2019 Jackson D25/119
 D854,635 S * 7/2019 Dunahay D21/679
 D857,241 S * 8/2019 Sakamoto D25/126
 2002/0082145 A1 6/2002 Hamilton
 2003/0222041 A1 12/2003 Hong et al.
 2005/0130806 A1 6/2005 Lopez
 2006/0065800 A1 3/2006 Bremmon
 2006/0145038 A1 7/2006 Chen
 2009/0105052 A1 4/2009 Dalebout et al.
 2009/0124471 A1 5/2009 Storch
 2010/0044536 A1 2/2010 Huang
 2010/0048368 A1 2/2010 Donofrio
 2010/0171017 A1 7/2010 Chang
 2012/0094812 A1 4/2012 Smiley
 2013/0237394 A1 9/2013 Fowler
 2013/0260970 A1 10/2013 Moskowich
 2014/0166834 A1 6/2014 Kuroyanagi et al.
 2014/0371040 A1 12/2014 Vasquez et al.
 2015/0059257 A1 3/2015 Beaver et al.
 2015/0065316 A1 3/2015 Towley, III et al.
 2015/0069257 A1 3/2015 Besson
 2015/0126335 A1 5/2015 Gilson et al.
 2015/0264823 A1 9/2015 Shirley et al.
 2015/0290488 A1 10/2015 Hopperstad et al.
 2016/0250515 A1 9/2016 Hopperstad et al.
 2016/0338512 A1 11/2016 Royak
 2016/0339291 A1 11/2016 Hopperstad et al.
 2017/0065844 A1 3/2017 Hopperstad et al.
 2017/0072260 A1 3/2017 Jackson
 2017/0189736 A1 7/2017 Martin
 2017/0209733 A1 7/2017 Beaver et al.
 2017/0239512 A1 8/2017 Brasch et al.
 2017/0246490 A1 8/2017 Hopperstad et al.
 2018/0036573 A1 * 2/2018 Lennox A63B 21/4035
 2018/0056116 A1 3/2018 Le Nguyen
 2018/0104522 A1 4/2018 Hopperstad et al.
 2018/0142832 A1 5/2018 Inouye
 2018/0153305 A1 6/2018 Haines
 2018/0154234 A1 6/2018 Pack et al.
 2018/0178051 A1 6/2018 Shaw, Jr.
 2018/0326250 A1 * 11/2018 Henniger A63B 21/068
 2019/0046835 A1 * 2/2019 Henniger A63B 23/1218
 2019/0126088 A1 * 5/2019 Henniger A63B 21/068

OTHER PUBLICATIONS

Jan. 11, 2019—(WO) ISR and WO—App. No. PCT/US2018/059018.
 Rogue product advertisement dated Dec. 3, 2015 (redacted).
 Rogue fitness product video screenshots from <<https://www.youtube.com/watch?v=TRpmZ68p5Hw>>, dated Sep. 19, 2017.
 Gorila Fitness product advertisement dated Apr. 16, 2018 (redacted).
 Bulldog Gear product advertisement dated Jan. 11, 2018.
 Pure Strength product listing dated Sep. 6, 2018 from <<https://www.pure-strength.com/collections/slim-gym-utility-plate>>.
 Titan Fitness product listing dated Sep. 6, 2018 from <<https://www.titan.fitness/t-3-folding-power-rack-stringers.html>>.
 Titan Fitness product listing dated Sep. 6, 2018 from <<https://www.titan.fitness/41-inch-deep-folding-wall-mount-rack.html>>(product known to be available as of Mar. 2, 2016).

* cited by examiner

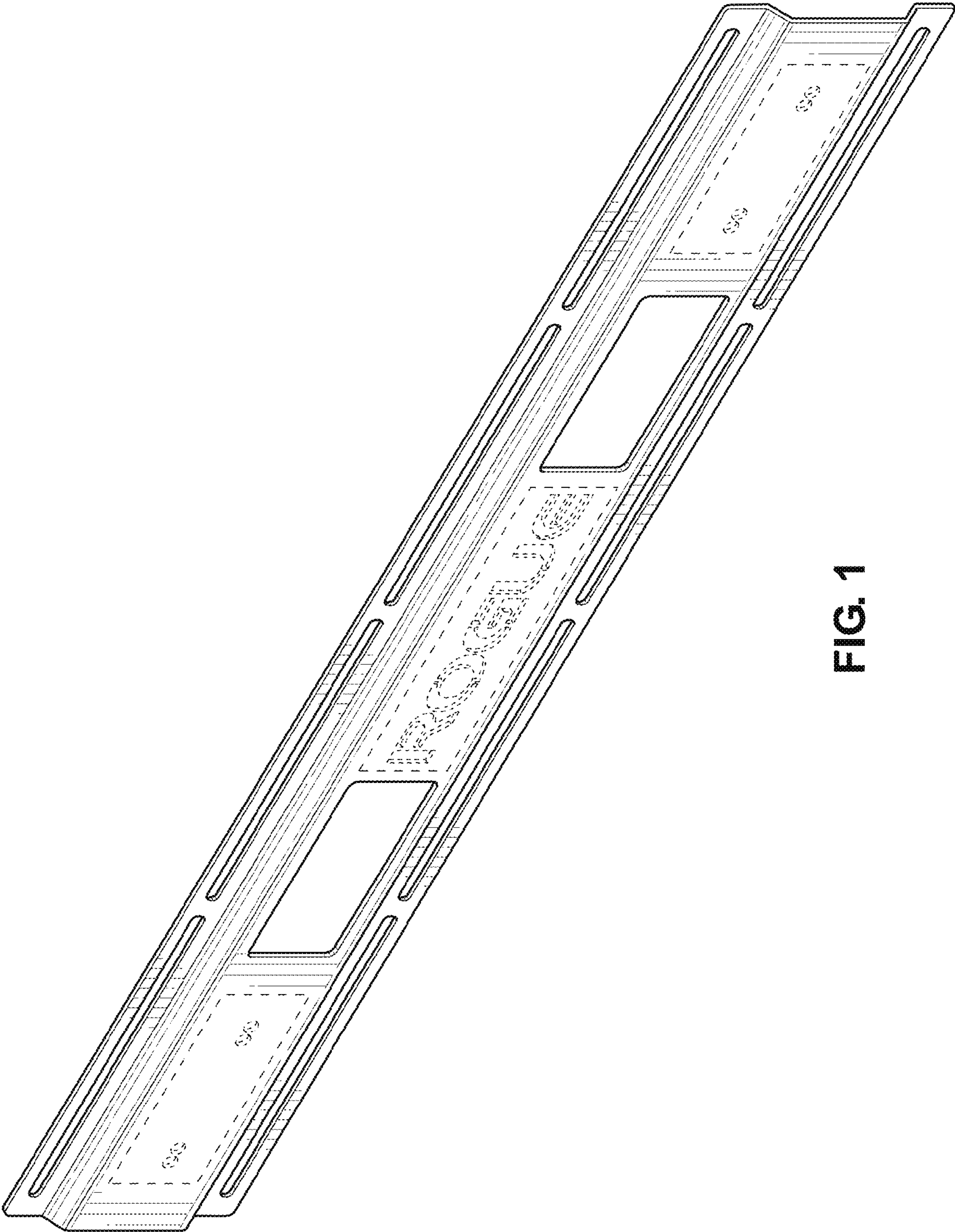


FIG. 1

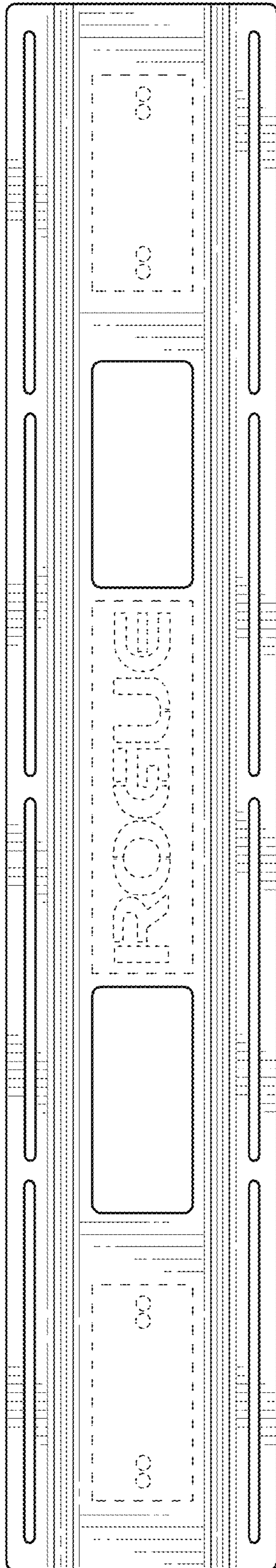


FIG. 2



FIG. 3

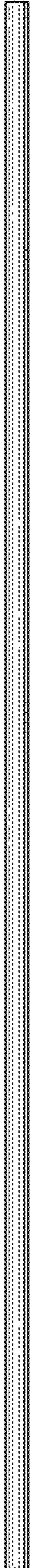


FIG. 4

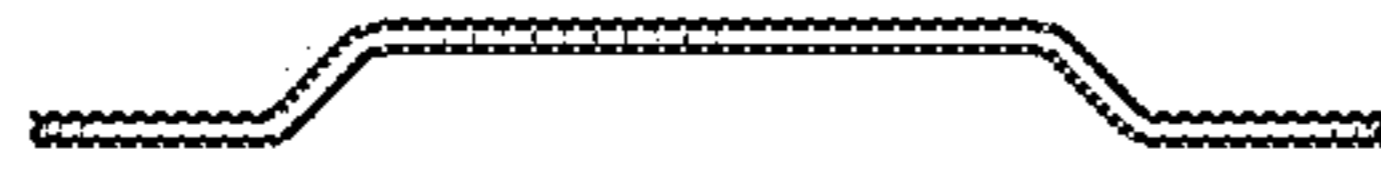


FIG. 6

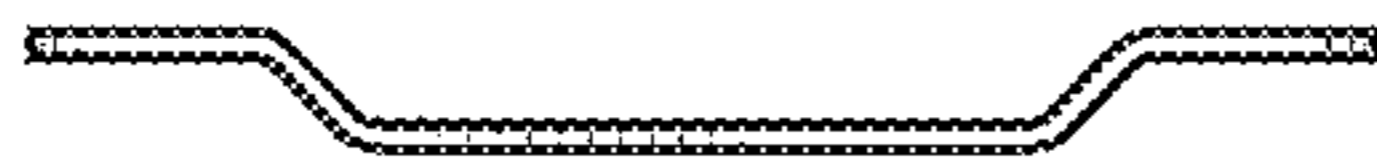


FIG. 5