



US00D879216S

(12) **United States Design Patent** (10) **Patent No.:** **US D879,216 S**  
**Dunahay** (45) **Date of Patent:** **\*\* Mar. 24, 2020**

(54) **WALL MOUNT**  
(71) Applicant: **Coulter Ventures LLC**, Columbus, OH (US)  
(72) Inventor: **Nash Dunahay**, Gahanna, OH (US)  
(73) Assignee: **Coulter Ventures, LLC.**, Columbus, OH (US)

D290,033 S 5/1987 Policastro  
D297,957 S 10/1988 Gordon, III  
4,961,295 A 10/1990 Kosch, Sr. et al.  
5,046,722 A 9/1991 Antoon  
5,273,506 A 12/1993 Dawson, Jr.  
D344,601 S \* 2/1994 Jenkins ..... D25/124  
(Continued)

(\*\*) Term: **15 Years**  
(21) Appl. No.: **29/650,239**

**FOREIGN PATENT DOCUMENTS**

EP 2400205 A1 12/2011  
WO 2008054720 A2 5/2008  
WO 2009003280 A1 1/2009

(22) Filed: **Jun. 5, 2018**  
(51) **LOC (12) Cl.** ..... **21-02**  
(52) **U.S. Cl.**  
USPC ..... **D21/686**; D8/354  
(58) **Field of Classification Search**  
USPC ..... 312/351.1, 351.3, 351.5; 482/92, 94, 98,  
482/99, 101, 104; D21/662, 673, 686,  
D21/691, 694, 826; D25/62, 66, 68, 119,  
D25/126, 136; D6/329; D8/323, 354  
CPC ..... A63B 21/00047; A63B 1/00; A63B 21/16;  
A63B 22/0046; A63B 21/078; A63B  
21/169; A63B 2225/10; A63B 71/023  
See application file for complete search history.

**OTHER PUBLICATIONS**

Rogue product advertisement dated Dec. 3, 2015 (redacted).  
(Continued)

*Primary Examiner* — Cynthia Ramirez  
*Assistant Examiner* — Michael A Maharajh  
(74) *Attorney, Agent, or Firm* — Banner & Witcoff, Ltd.

(56) **References Cited**

**U.S. PATENT DOCUMENTS**

D47,725 S \* 8/1915 Heulings ..... D25/121  
D47,726 S \* 8/1915 Heulings ..... D25/119  
1,410,149 A 3/1922 Williams  
2,855,200 A 10/1958 Blickman  
D210,469 S 3/1968 Sejersen  
D264,756 S \* 6/1982 Andersson ..... D25/126  
D265,111 S \* 6/1982 Lynn ..... D21/673  
D269,691 S 7/1983 Ornstein et al.  
D273,334 S \* 4/1984 Young ..... D25/126  
D273,619 S \* 4/1984 Young ..... D25/126  
D273,711 S \* 5/1984 Young ..... D25/126  
D273,997 S \* 5/1984 Ryan ..... D25/126  
D276,656 S \* 12/1984 Lindstrom ..... D25/119

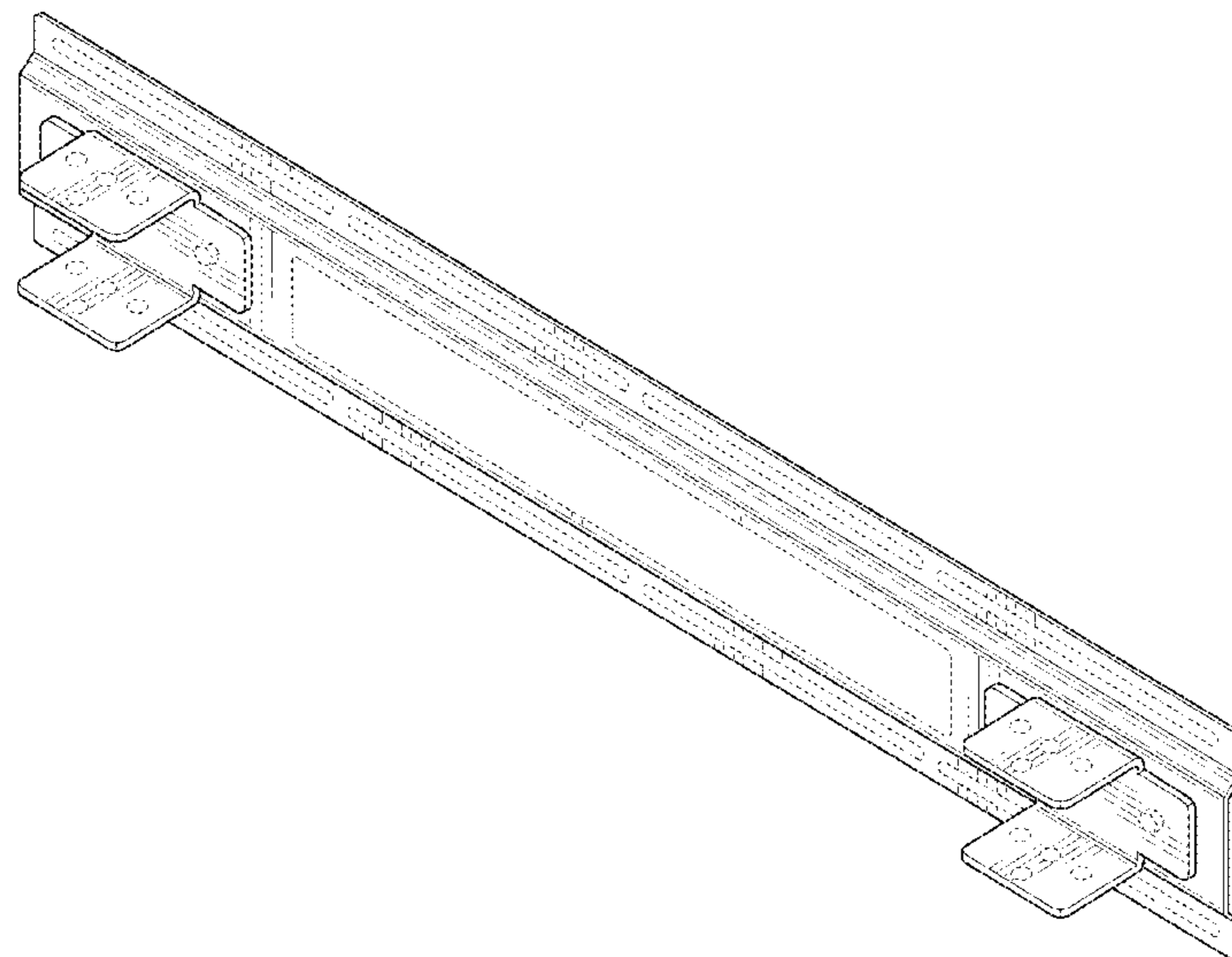
(57) **CLAIM**

The ornamental design for a wall mount, as shown and described.

**DESCRIPTION**

FIG. 1 is a top, front, right perspective view of a wall mount showing my new design;  
FIG. 2 is a front view thereof;  
FIG. 3 is a top view thereof;  
FIG. 4 is a bottom view thereof;  
FIG. 5 is a right side view thereof; and,  
FIG. 6 is a left side view thereof.  
The broken lines immediately adjacent to the shaded area are directed to boundary lines, which form no part of the claimed design. The broken lines in the drawings are for the purpose of illustrating portions of the wall mount, which form no part of the claimed design.

**1 Claim, 5 Drawing Sheets**



(56)

References Cited

U.S. PATENT DOCUMENTS

5,290,209 A 3/1994 Wilkinson  
 D355,005 S 1/1995 Voohanel, Jr.  
 5,776,033 A 7/1998 Brown  
 6,116,550 A 9/2000 Forbes  
 6,129,651 A 10/2000 Denaro  
 D484,617 S \* 12/2003 Micheals ..... D25/131  
 D486,020 S 2/2004 Hoernig  
 D486,337 S 2/2004 Hoernig  
 D507,352 S \* 7/2005 Vanderbrugghen ..... D25/126  
 D514,857 S 2/2006 Hoernig  
 D523,322 S \* 6/2006 Thurston ..... D8/323  
 D525,668 S 7/2006 Payne  
 D554,209 S \* 10/2007 Loucks ..... D21/691  
 7,316,379 B1 1/2008 Graham  
 7,523,907 B2 4/2009 Chen  
 D593,169 S 5/2009 Storch  
 D596,761 S \* 7/2009 Beland ..... D25/68  
 D613,883 S \* 4/2010 Staten ..... D25/126  
 7,892,158 B2 2/2011 Varga  
 D639,585 S \* 6/2011 Shen ..... D25/126  
 D639,586 S \* 6/2011 Selinger ..... D25/126  
 D639,587 S \* 6/2011 Selinger ..... D25/126  
 8,079,915 B2 12/2011 Spencer et al.  
 8,083,191 B2 \* 12/2011 Lai ..... H05K 7/1488  
 248/188.2  
 D659,854 S \* 5/2012 Kligman ..... D25/136  
 D661,412 S \* 6/2012 Kligman ..... D25/136  
 D682,955 S 5/2013 Stephan  
 D703,773 S 4/2014 Henry  
 D711,021 S \* 8/2014 Singh ..... D25/119  
 D718,883 S \* 12/2014 Thrush ..... D25/124  
 D718,884 S \* 12/2014 Thrush ..... D25/125  
 8,992,395 B2 \* 3/2015 Orakwusi ..... A63B 21/1636  
 482/106  
 9,044,629 B2 6/2015 Ross  
 D734,410 S \* 7/2015 Childs ..... D21/686  
 D742,540 S \* 11/2015 Singh ..... D25/119  
 D742,543 S \* 11/2015 Singh ..... D25/119  
 9,192,799 B2 11/2015 Alenaddaf  
 9,308,410 B2 4/2016 Beaver et al.  
 D757,531 S \* 5/2016 Rusher ..... D8/394  
 9,333,387 B2 5/2016 Hopperstad et al.  
 D764,607 S 8/2016 Beckford et al.  
 9,409,048 B1 8/2016 Hopperstad et al.  
 9,498,670 B1 11/2016 Hopperstad et al.  
 9,517,382 B2 12/2016 Payne  
 9,649,525 B2 5/2017 Hopperstad et al.  
 9,675,829 B1 6/2017 Katz  
 9,700,761 B2 7/2017 Beaver et al.  
 D799,306 S \* 10/2017 Lee ..... D8/354  
 D801,547 S \* 10/2017 Lopez ..... D25/68  
 D802,164 S \* 11/2017 Lopez ..... D25/68  
 9,844,691 B2 12/2017 Hopperstad et al.  
 D816,173 S 4/2018 Jackson  
 D817,520 S \* 5/2018 Gonzales ..... D25/126  
 9,993,678 B2 6/2018 Hopperstad et al.  
 D836,617 S \* 12/2018 Shu ..... D14/239  
 D853,587 S \* 7/2019 Jackson ..... D25/119  
 D853,588 S \* 7/2019 Jackson ..... D25/119  
 D853,589 S \* 7/2019 Jackson ..... D25/119  
 D854,635 S \* 7/2019 Dunahay ..... D21/679

D857,241 S \* 8/2019 Sakamoto ..... D25/126  
 2002/0082145 A1 6/2002 Hamilton  
 2003/0222041 A1 12/2003 Hong et al.  
 2005/0130806 A1 6/2005 Lopez  
 2006/0065800 A1 3/2006 Bremmon  
 2006/0145038 A1 7/2006 Chen  
 2009/0105052 A1 4/2009 Dalebout et al.  
 2009/0124471 A1 5/2009 Storch  
 2010/0044536 A1 2/2010 Huang  
 2010/0048368 A1 2/2010 Donofrio  
 2010/0171017 A1 7/2010 Chang  
 2012/0094812 A1 4/2012 Smiley  
 2013/0237394 A1 9/2013 Fowler  
 2013/0260970 A1 10/2013 Moskowich  
 2014/0166834 A1 6/2014 Kuroyanagi et al.  
 2014/0371040 A1 12/2014 Vasquez et al.  
 2015/0059257 A1 3/2015 Beaver et al.  
 2015/0065316 A1 3/2015 Towley, III et al.  
 2015/0069257 A1 3/2015 Besson  
 2015/0126335 A1 5/2015 Gilson  
 2015/0264823 A1 9/2015 Shirley et al.  
 2015/0290488 A1 10/2015 Hopperstad et al.  
 2016/0250515 A1 9/2016 Hopperstad et al.  
 2016/0338512 A1 11/2016 Royak  
 2016/0339291 A1 11/2016 Hopperstad et al.  
 2017/0065844 A1 3/2017 Hopperstad et al.  
 2017/0072260 A1 3/2017 Jackson  
 2017/0189736 A1 7/2017 Martin  
 2017/0209733 A1 7/2017 Beaver et al.  
 2017/0239512 A1 8/2017 Brasch et al.  
 2017/0246490 A1 8/2017 Hopperstad et al.  
 2018/0036573 A1 \* 2/2018 Lennox ..... A63B 21/4035  
 2018/0056116 A1 3/2018 Le Nguyen  
 2018/0104522 A1 4/2018 Hopperstad et al.  
 2018/0142832 A1 5/2018 Inouye  
 2018/0153305 A1 6/2018 Haines  
 2018/0154234 A1 6/2018 Pack et al.  
 2018/0178051 A1 6/2018 Shaw, Jr.  
 2018/0326250 A1 \* 11/2018 Henniger ..... A63B 21/068  
 2019/0046835 A1 \* 2/2019 Henniger ..... A63B 23/1218  
 2019/0126088 A1 \* 5/2019 Henniger ..... A63B 21/068

OTHER PUBLICATIONS

Rogue fitness product video screenshots from <<https://www.youtube.com/watch?v=TRpmZ68p5Hw>>, dated Sep. 19, 2017.  
 Gorda Fitness product advertisement dated Apr. 16, 2018 (redacted).  
 Bulldog Gear product advertisement dated Jan. 11, 2018.  
 Pure Strength product listing dated Sep. 6, 2018 from <<https://www.pure-strength.com/collections/slim-gym-utility-plate>>.  
 Titan Fitness product listing dated Sep. 6, 2018 from <<https://www.titan.fitness/t-3-folding-power-rack-stringers.html>>.  
 Titan Fitness product listing dated Sep. 6, 2018 from <<https://www.titan.fitness/41-inch-deep-folding-wall-mount-rack.html>> (product known to be available as of Mar. 2, 2016).  
 Product listing for Rogue V2 Face Mount Pull-up Bar for Monster Lite from <https://web.archive.org/web/20161105161238/https://www.roguefitness.com/rogue-v2-face-mount-pull-up-bar-for-monster-lite>, dated Nov. 5, 2016.  
 Jan. 11, 2019—(WO) ISR and WO—App No. PCT/US2018/059018.

\* cited by examiner

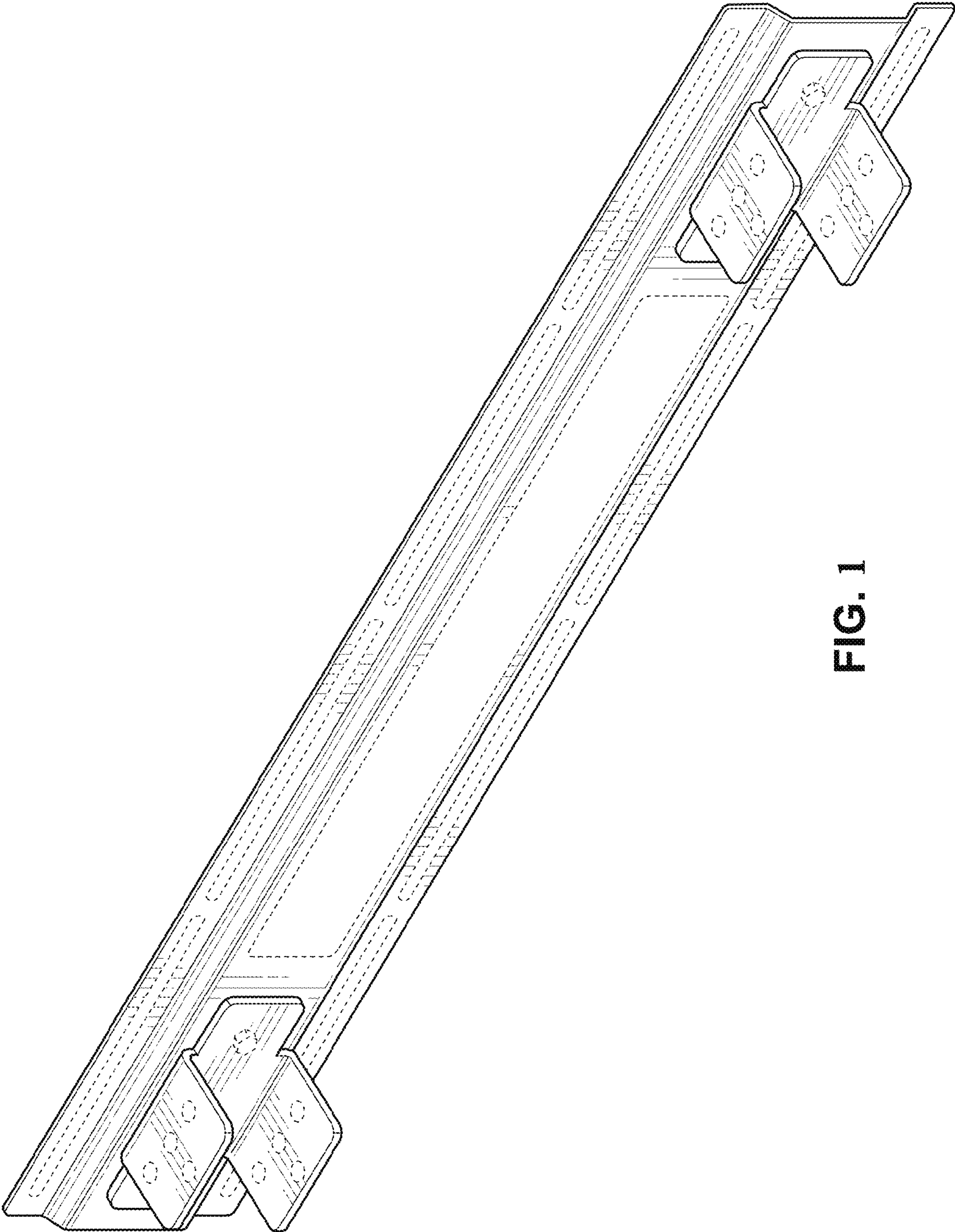


FIG. 1

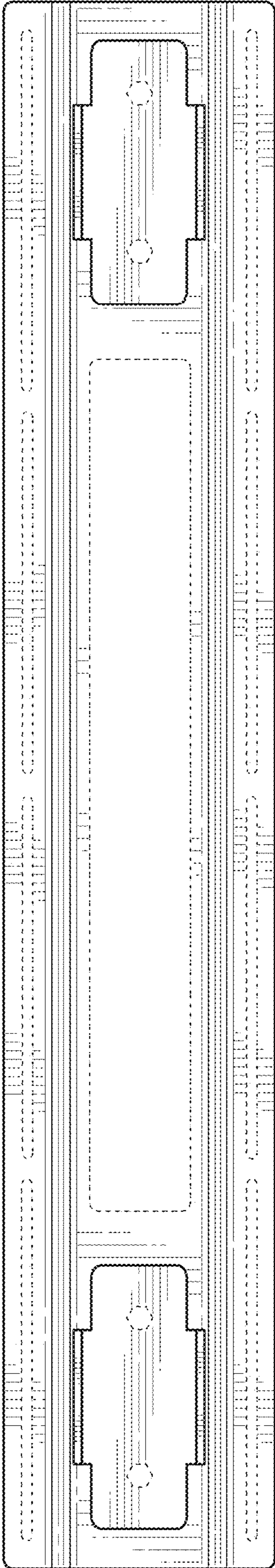


FIG. 2

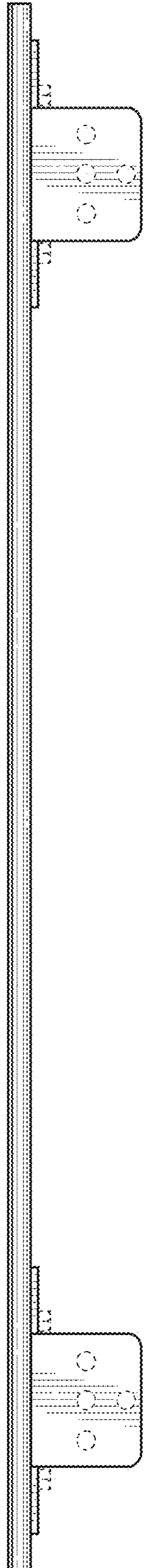


FIG. 3

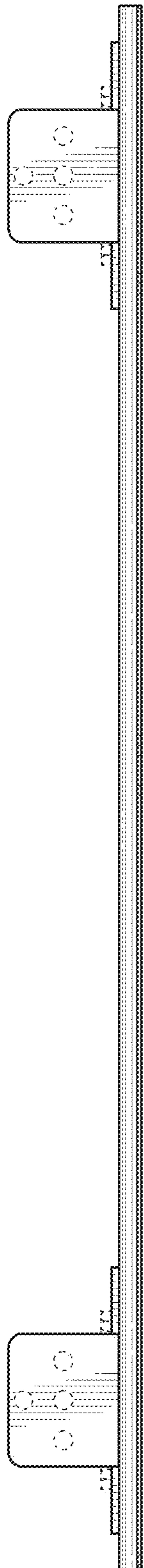


FIG. 4

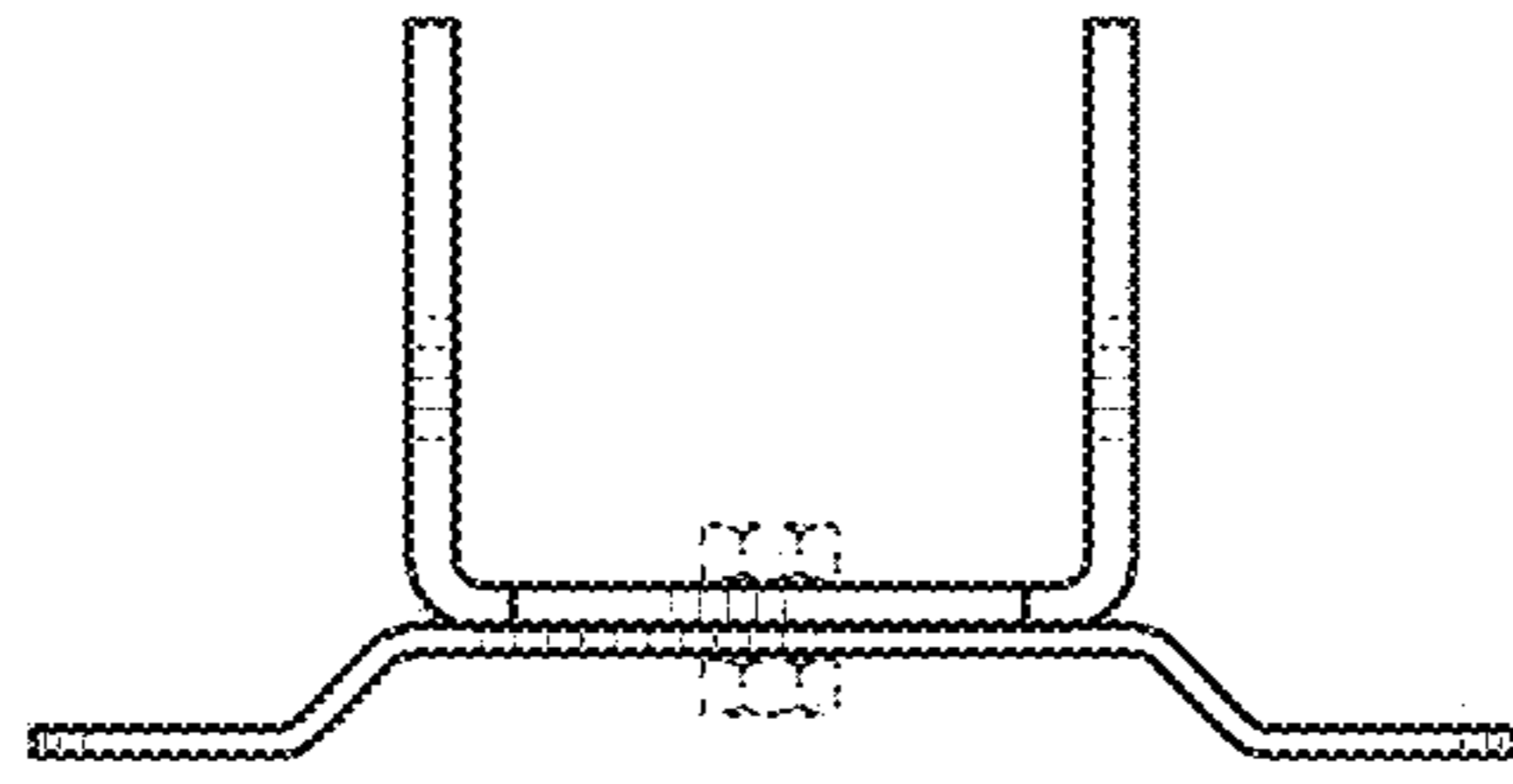


FIG. 6

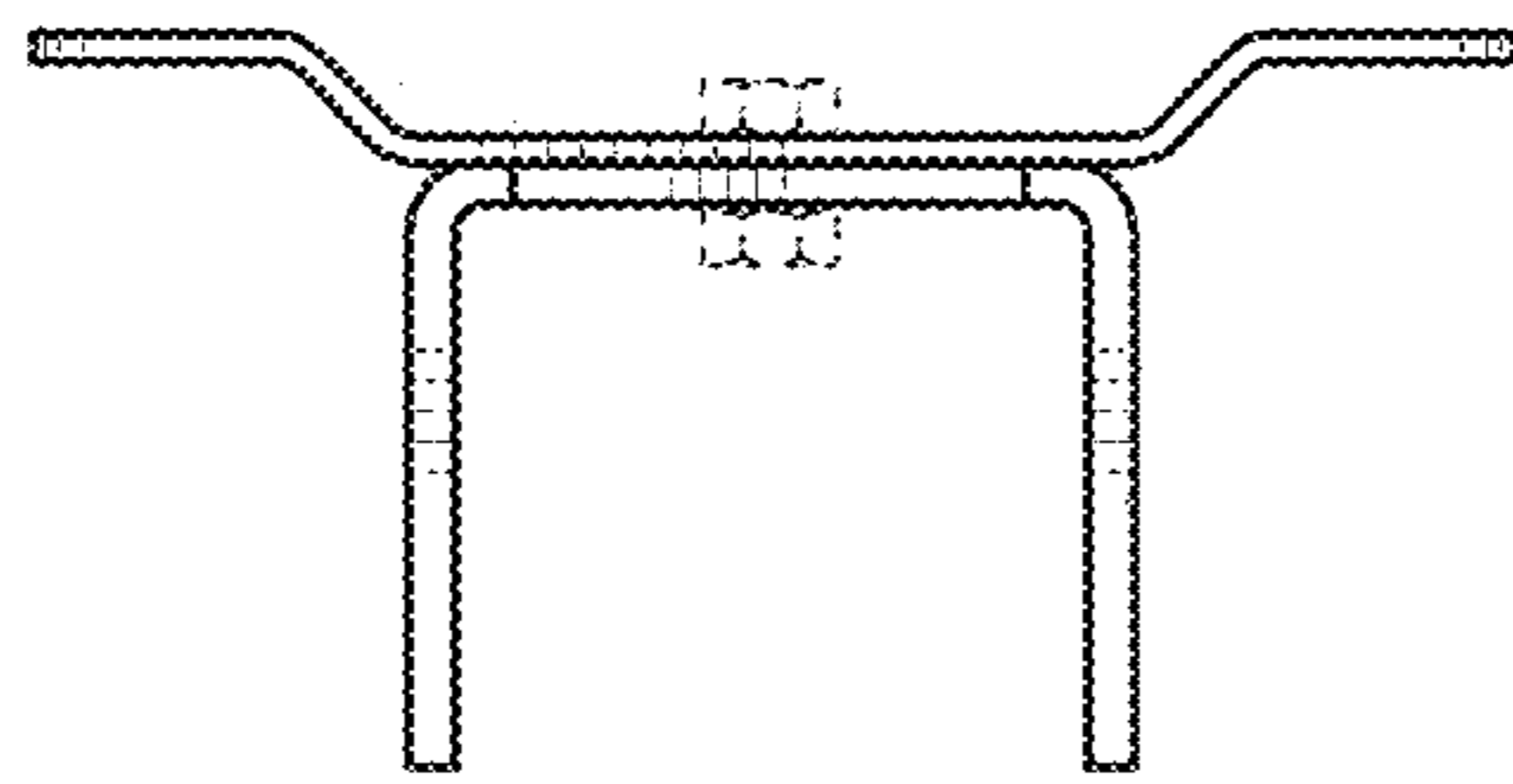


FIG. 5