



US00D879215S

(12) **United States Design Patent**  
**Cadiente**

(10) **Patent No.:** **US D879,215 S**

(45) **Date of Patent:** **\*\* Mar. 24, 2020**

(54) **WITCH TOY**

D576,222 S \* 9/2008 Auberger ..... D21/621  
D612,762 S \* 3/2010 Garrison ..... D11/128

(71) Applicant: **Jackie Cadiente**, Burbank, CA (US)

\* cited by examiner

(72) Inventor: **Jackie Cadiente**, Burbank, CA (US)

*Primary Examiner* — Zenia I Bennett

(\*\*) Term: **15 Years**

(74) *Attorney, Agent, or Firm* — LKP Global Law, LLP

(21) Appl. No.: **29/666,487**

(57) **CLAIM**

(22) Filed: **Oct. 12, 2018**

The ornamental design for a witch toy, as shown and described.

(51) **LOC (12) Cl.** ..... **21-01**

(52) **U.S. Cl.**

USPC ..... **D21/623**

(58) **Field of Classification Search**

USPC ..... D21/621, 623, 630, 633, 645, 649

CPC ..... A63H 3/00

See application file for complete search history.

**DESCRIPTION**

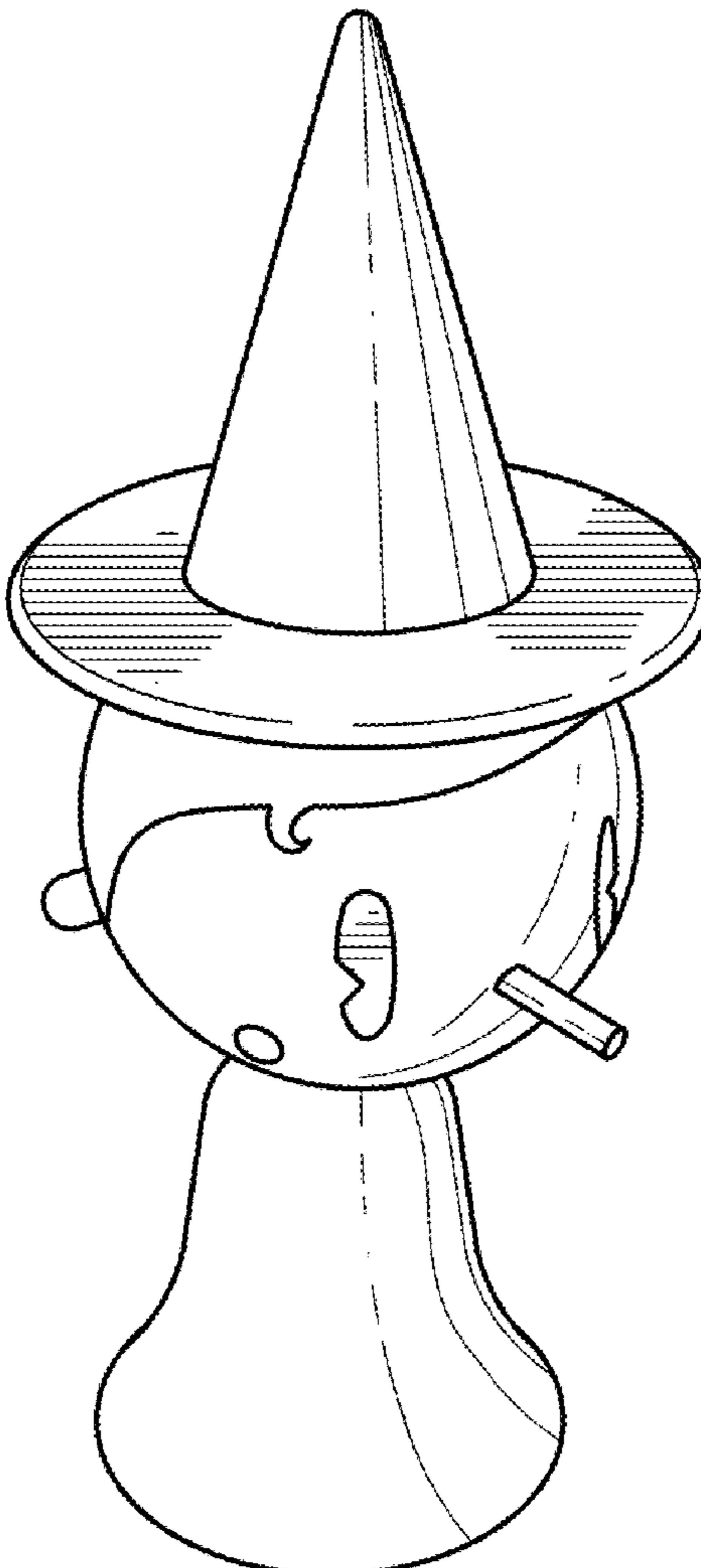
FIG. 1 is a perspective view of a witch toy;  
FIG. 2 is a bottom perspective view of the witch toy taken from FIG. 1;  
FIG. 3 is a front view of the witch toy of FIG. 1;  
FIG. 4 is a back view of the witch toy of FIG. 1.  
FIG. 5 is a left view of the witch toy of FIG. 1;  
FIG. 6 is a right view of the witch toy of FIG. 1;  
FIG. 7 is a top view of the witch toy of FIG. 1; and,  
FIG. 8 is a bottom view of the witch toy of FIG. 1.

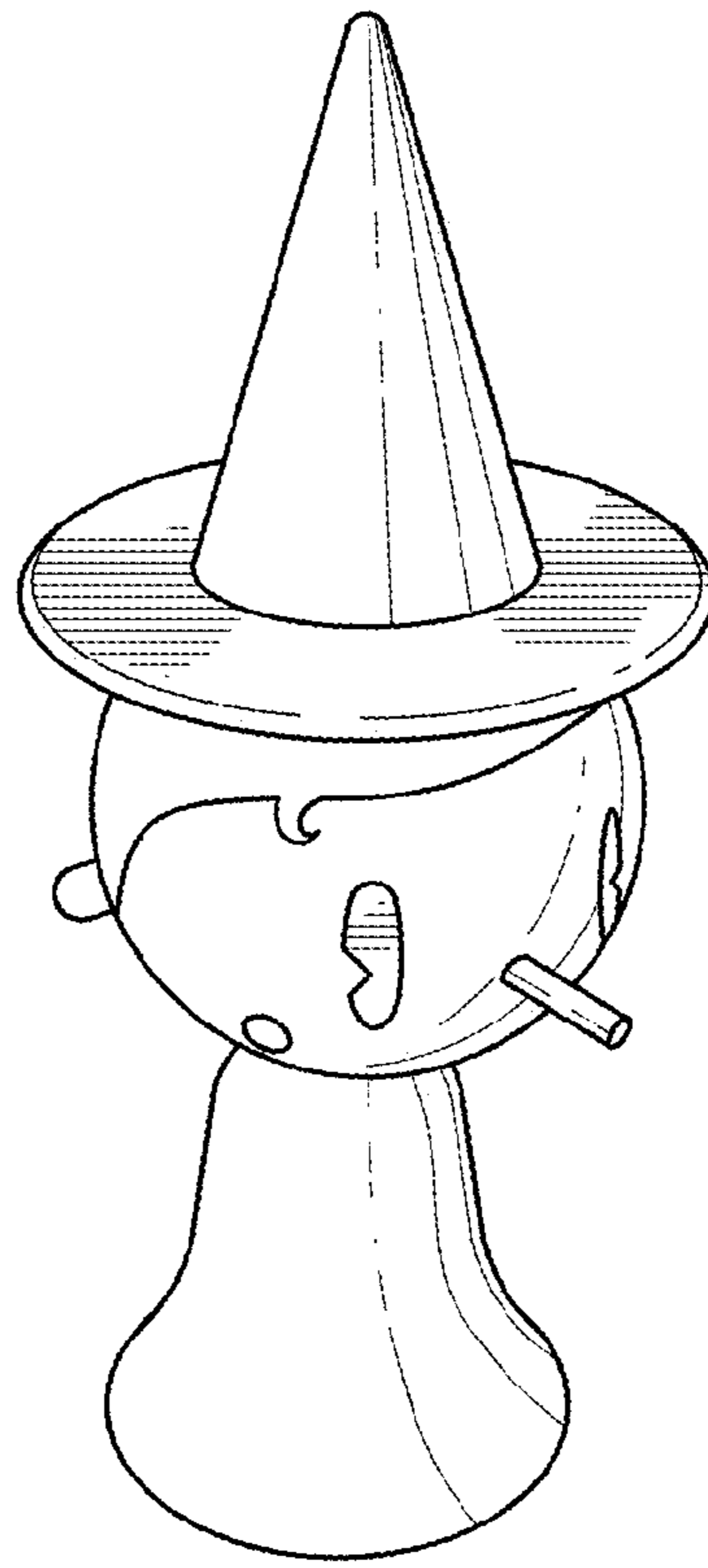
(56) **References Cited**

U.S. PATENT DOCUMENTS

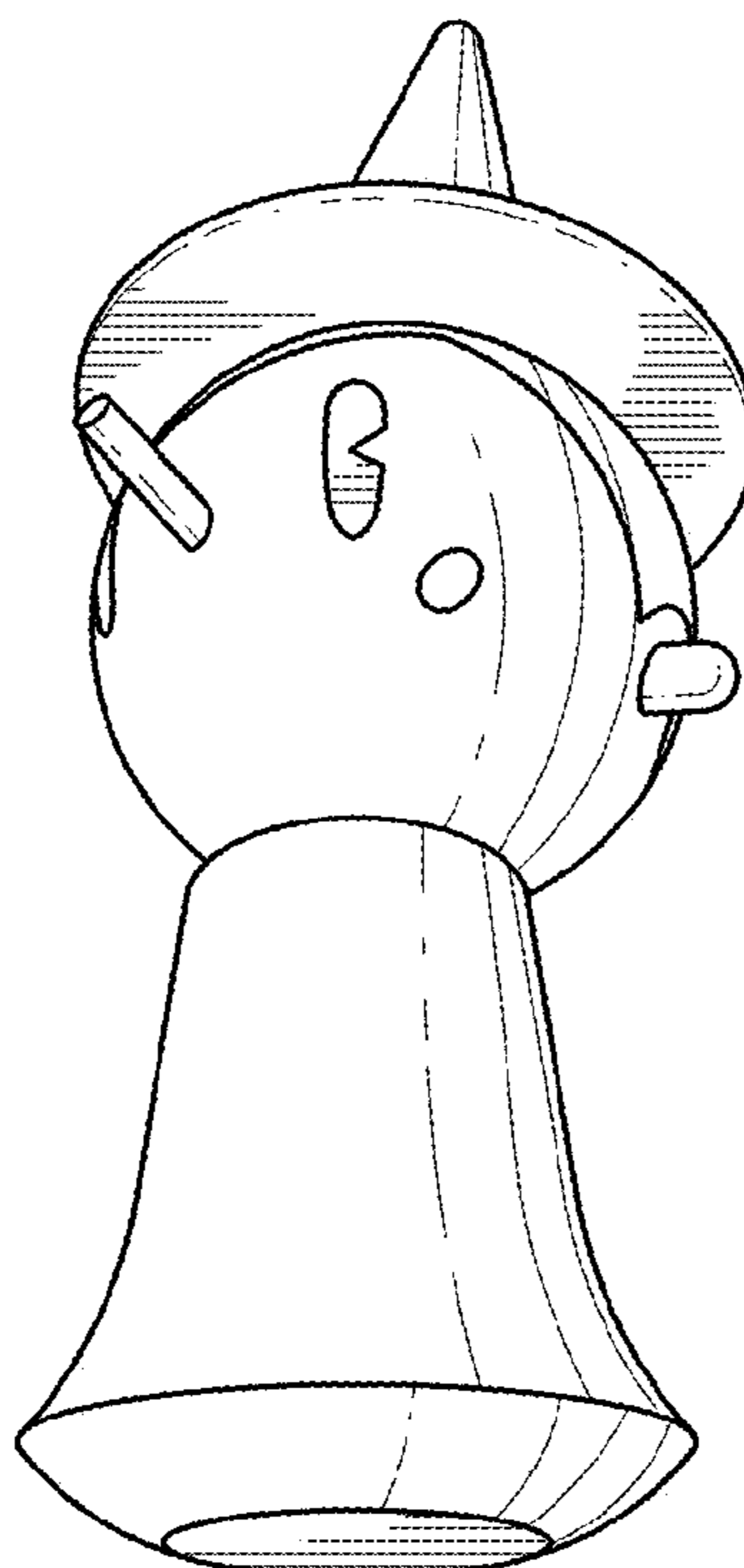
D309,648 S \* 7/1990 Baron ..... D21/623  
D576,219 S \* 9/2008 Auberger ..... D21/621

**1 Claim, 4 Drawing Sheets**

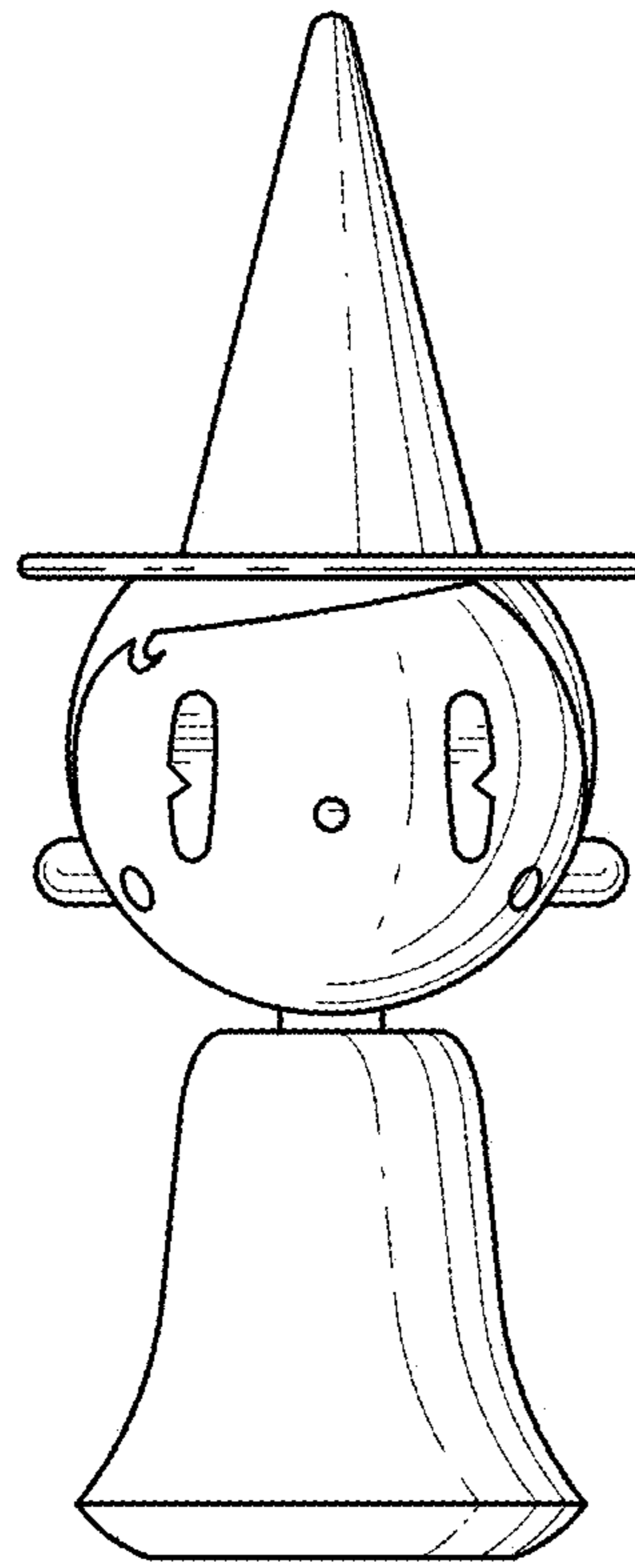




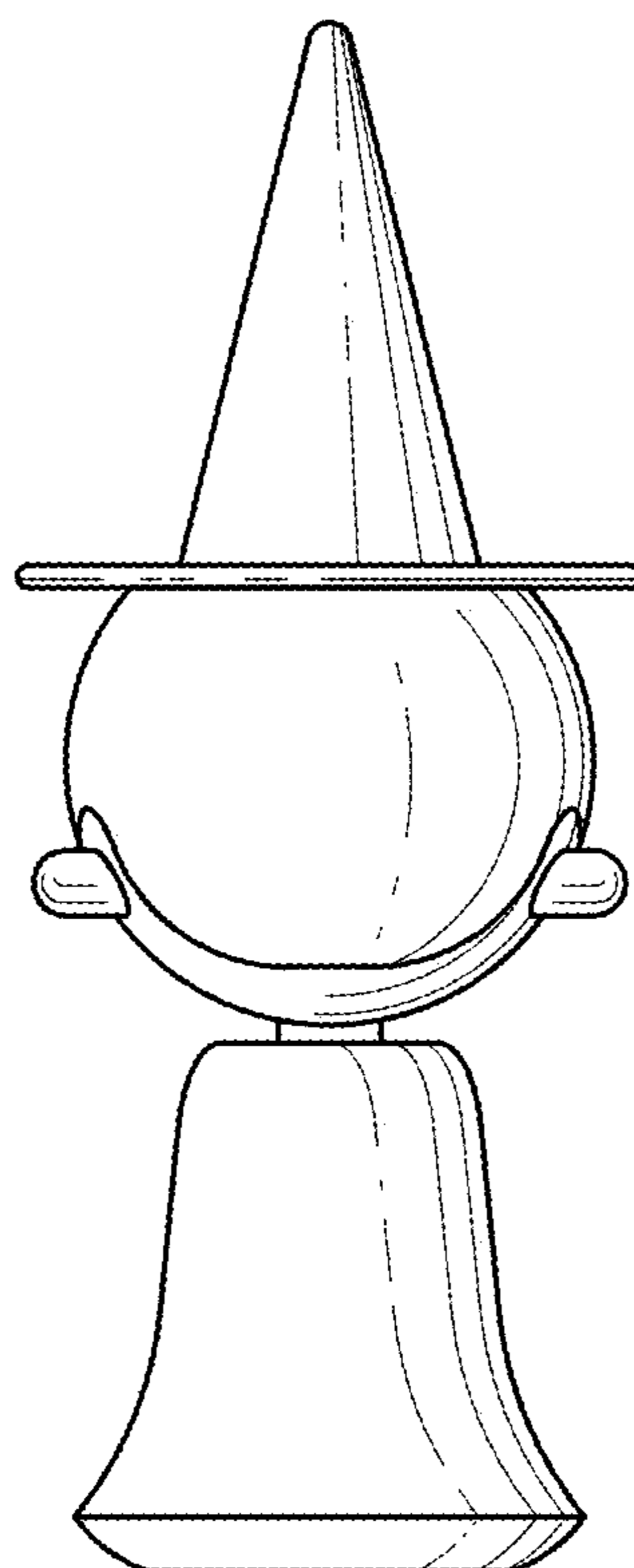
*FIG. 1*



*FIG. 2*

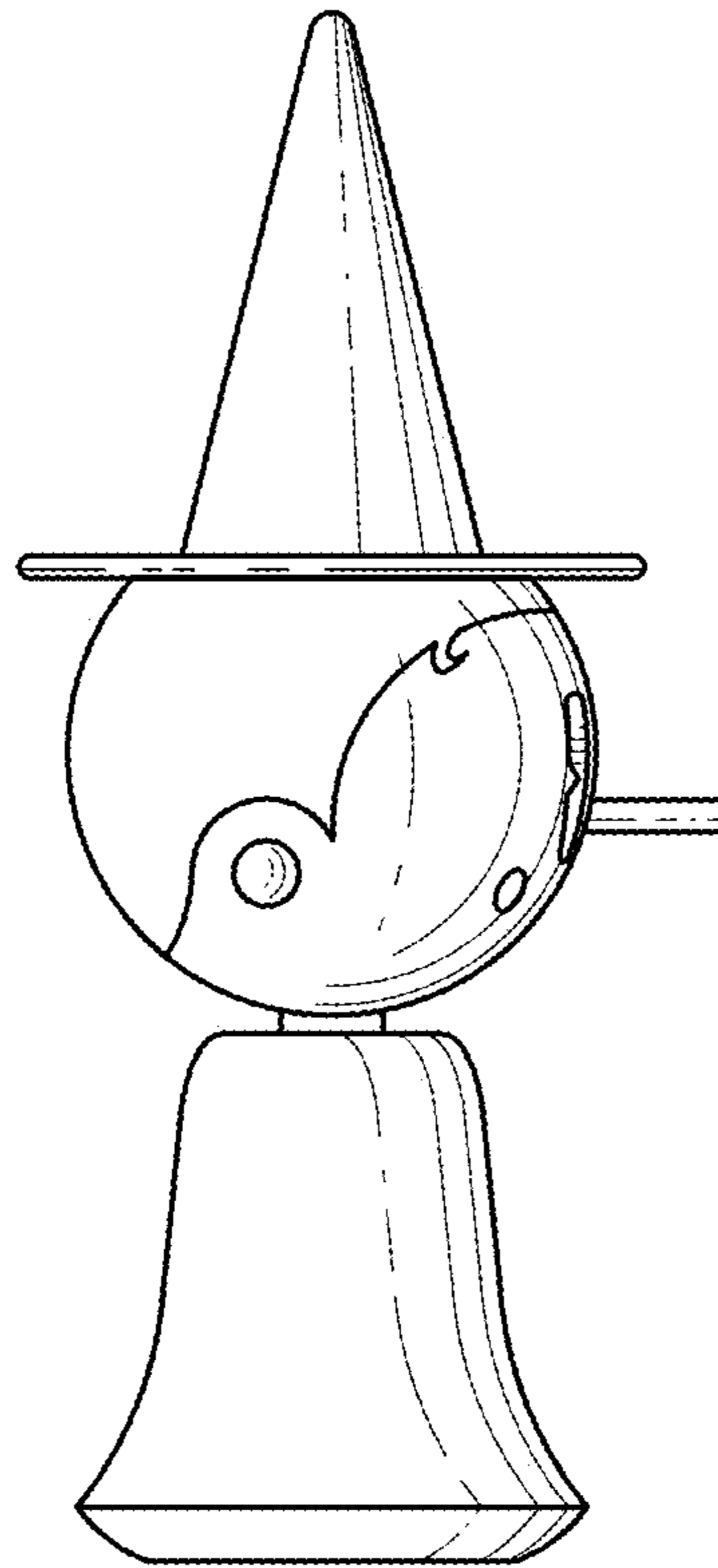


*FIG. 3*

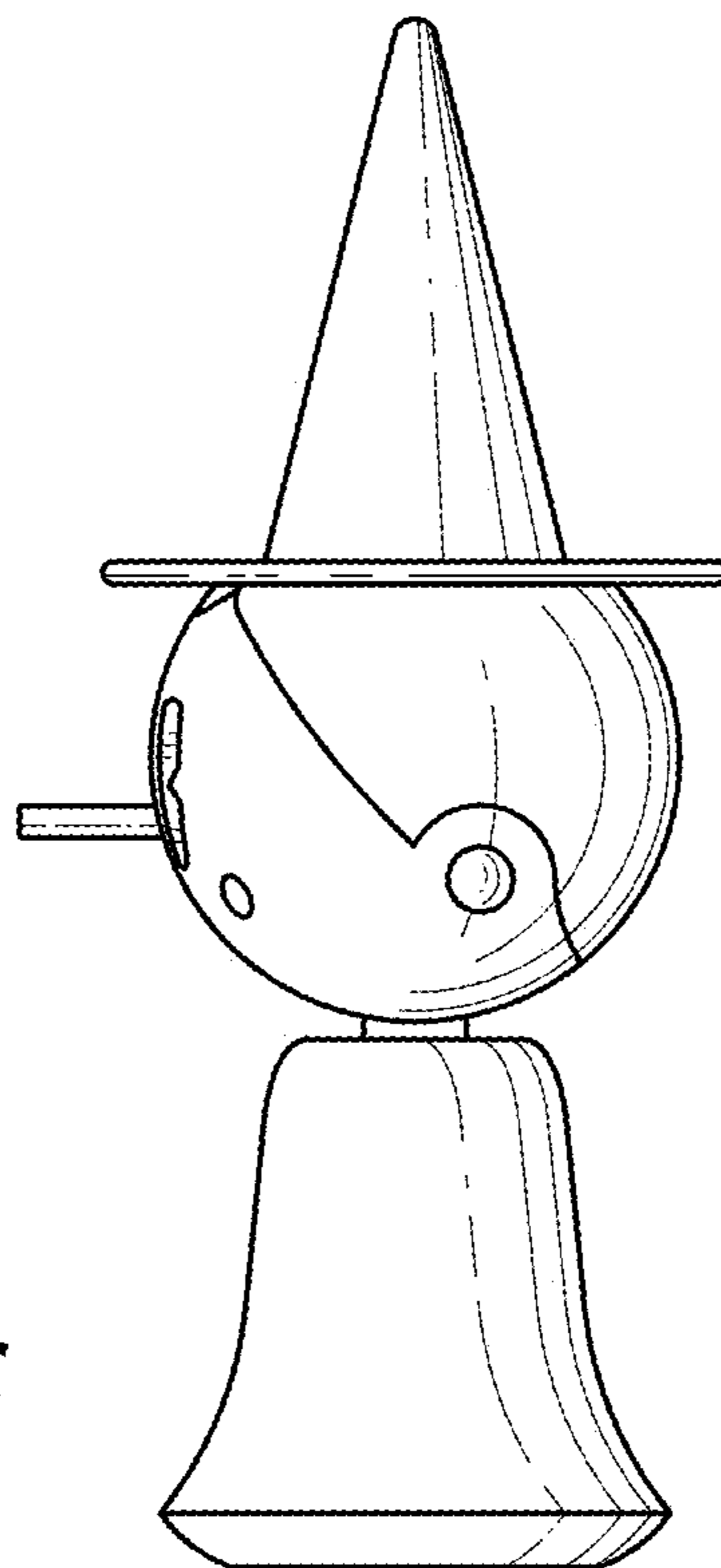


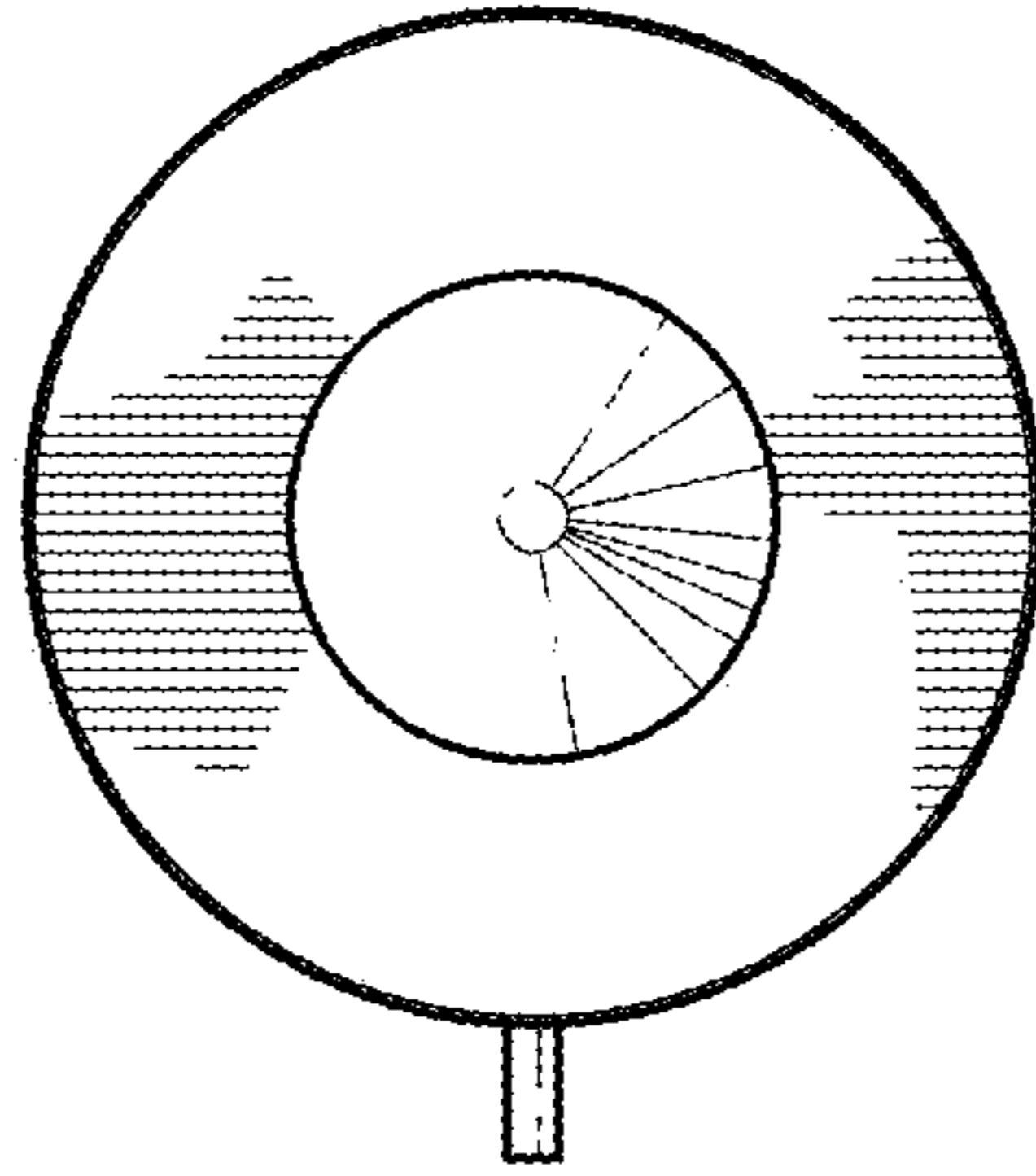
*FIG. 4*

*FIG. 5*

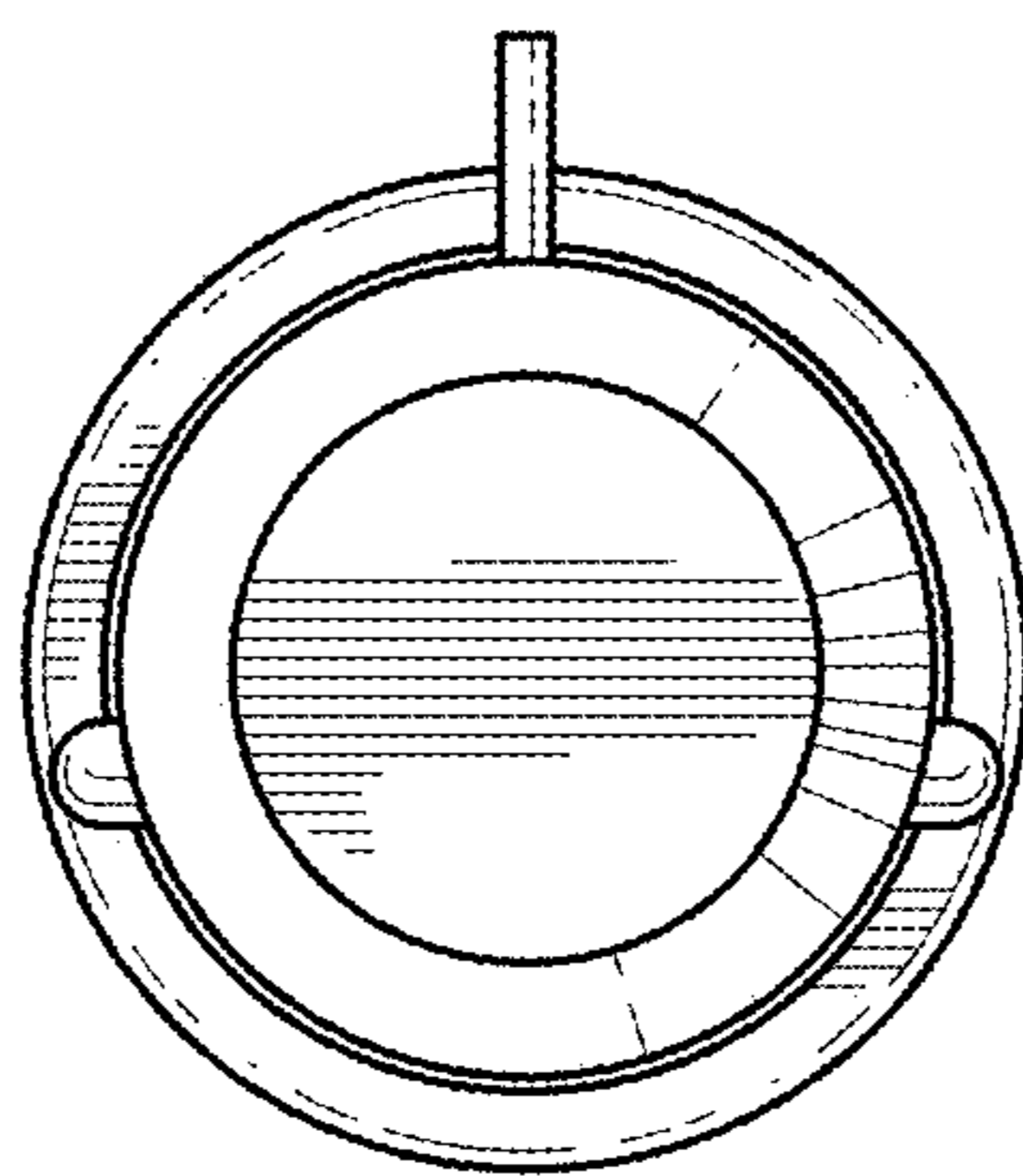


*FIG. 6*





*FIG. 7*



*FIG. 8*