



US00D879213S

(12) **United States Design Patent**  
**Hazzard et al.**

(10) **Patent No.:** **US D879,213 S**  
(45) **Date of Patent:** **\*\* Mar. 24, 2020**

- (54) **FEMALE TOY FIGURE**
- (71) Applicant: **Brian's Toys Inc.**, Fountain City, WI (US)
- (72) Inventors: **Thomas Barr Hazzard**, Irvine, CA (US); **Tracy Leigh Hazzard**, Irvine, CA (US)
- (\*\*) Term: **15 Years**
- (21) Appl. No.: **29/670,820**
- (22) Filed: **Nov. 20, 2018**
- (51) **LOC (12) Cl.** ..... **21-01**
- (52) **U.S. Cl.**  
USPC ..... **D21/621**
- (58) **Field of Classification Search**  
USPC ..... D21/621, 623, 627, 630, 658, 659, 661;  
D19/59  
CPC ..... A63H 3/00-31  
See application file for complete search history.

- D738,966 S \* 9/2015 Chen ..... D21/621
- D753,241 S \* 4/2016 Jaensch ..... D21/621
- D760,329 S \* 6/2016 Croston ..... D21/621
- D831,130 S \* 10/2018 Davis ..... D21/621
- D842,396 S \* 3/2019 Vezina ..... D21/621
- D845,403 S \* 4/2019 Davies ..... D21/621
- D864,314 S \* 10/2019 Kim ..... D21/621

\* cited by examiner

*Primary Examiner* — Zenia I Bennett

(56) **References Cited**

**U.S. PATENT DOCUMENTS**

- D253,711 S \* 12/1979 Christiansen ..... D21/621
- D278,735 S \* 5/1985 Nielsen ..... D21/621
- D352,078 S \* 11/1994 Bertrand ..... D21/621
- D539,364 S \* 3/2007 Sofussen ..... D21/621
- D680,598 S \* 4/2013 Geller ..... D21/621
- D682,367 S \* 5/2013 Pilgaard ..... D21/621
- D689,567 S \* 9/2013 Pilgaard ..... D21/621

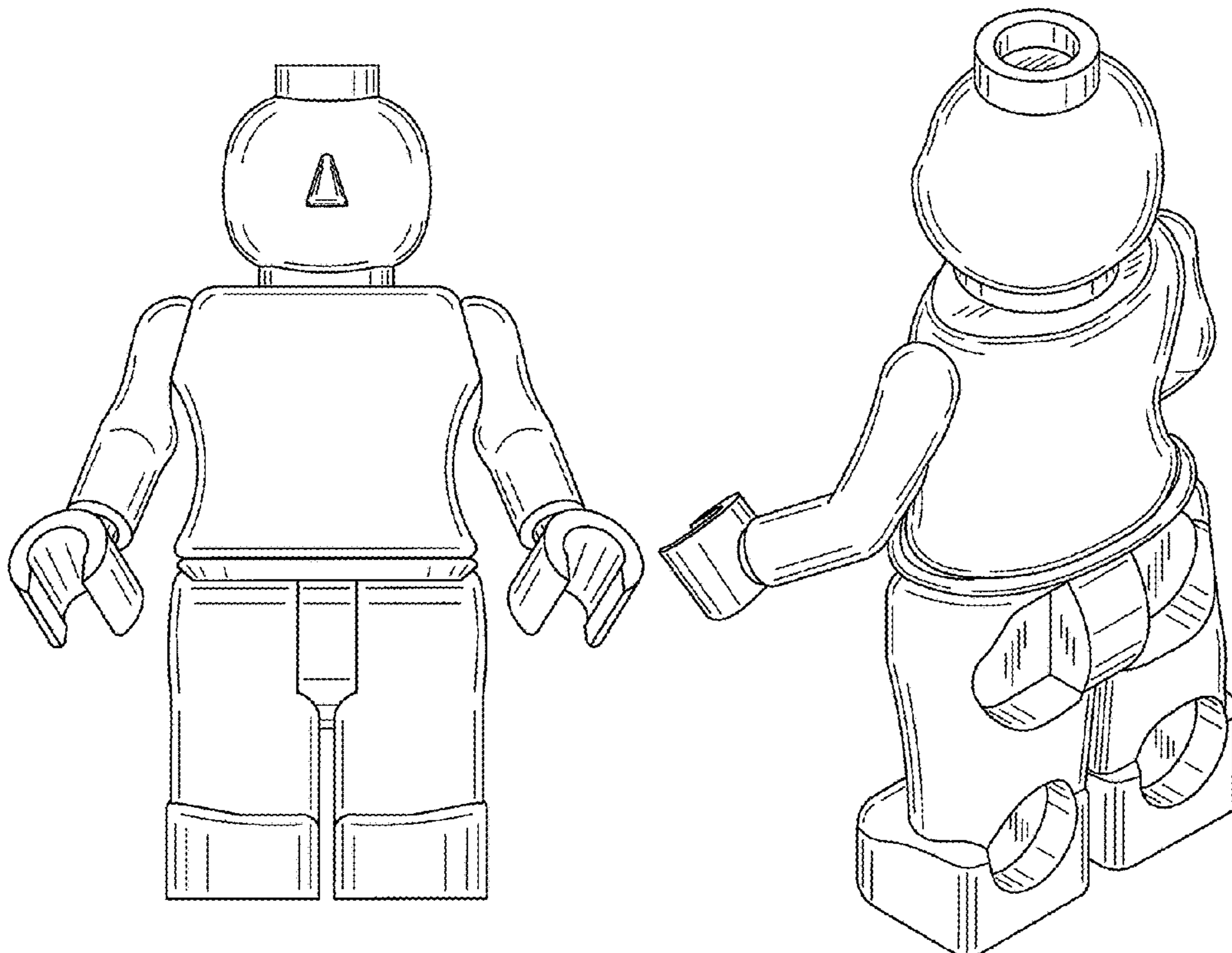
(57) **CLAIM**

The ornamental design for a female toy figure, as shown and described.

**DESCRIPTION**

FIG. 1 is a front view of a female toy figure showing my new design;  
 FIG. 2 is a rear view of the female toy figure;  
 FIG. 3 is a right side view of the female toy figure, a left side view being a mirror image thereof;  
 FIG. 4 is a top view of the female toy figure;  
 FIG. 5 is a bottom view of the female toy figure; and,  
 FIG. 6 is a top front side perspective view of the female toy figure.  
 The broken lines in FIG. 5 define borders inside which forms no part of the claimed design.

**1 Claim, 5 Drawing Sheets**



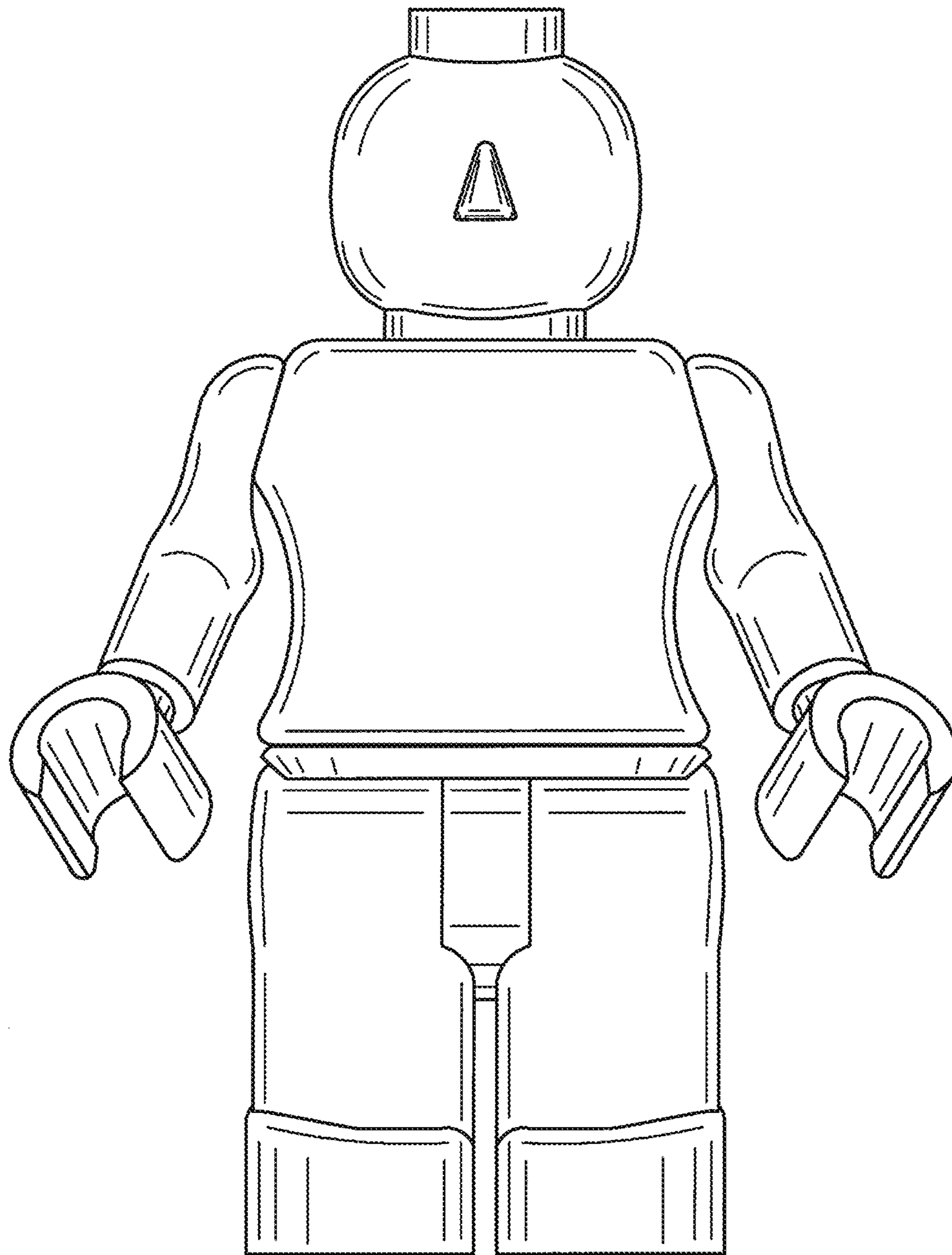


FIG. 1

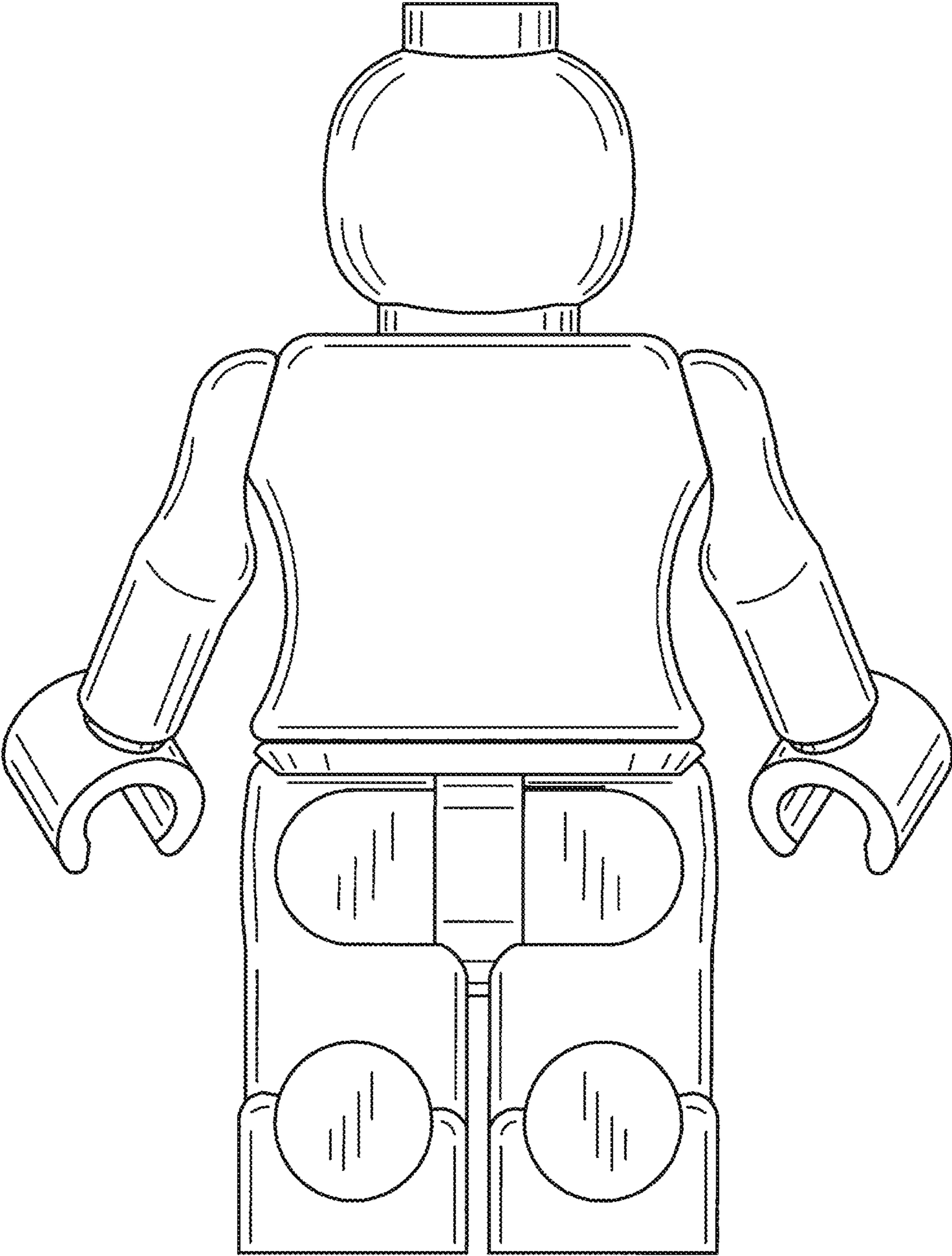


FIG. 2

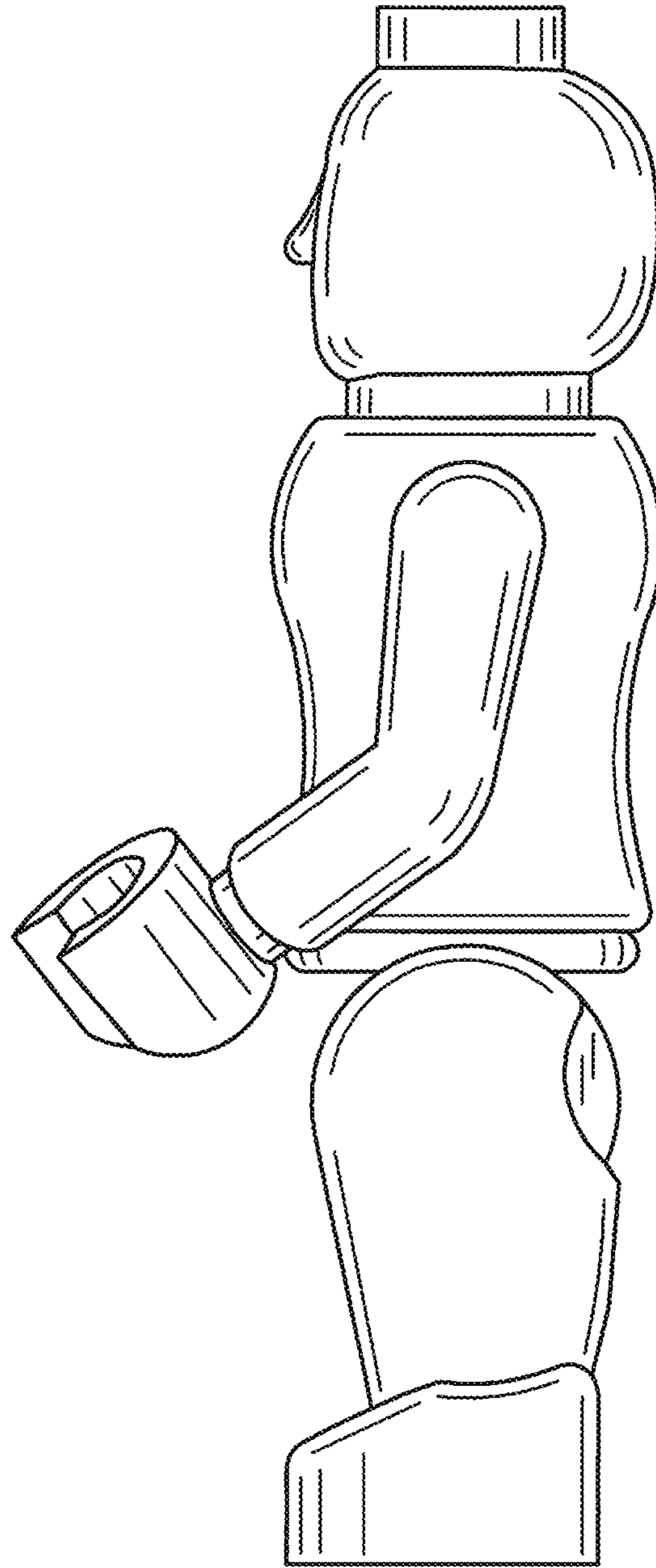


FIG. 3

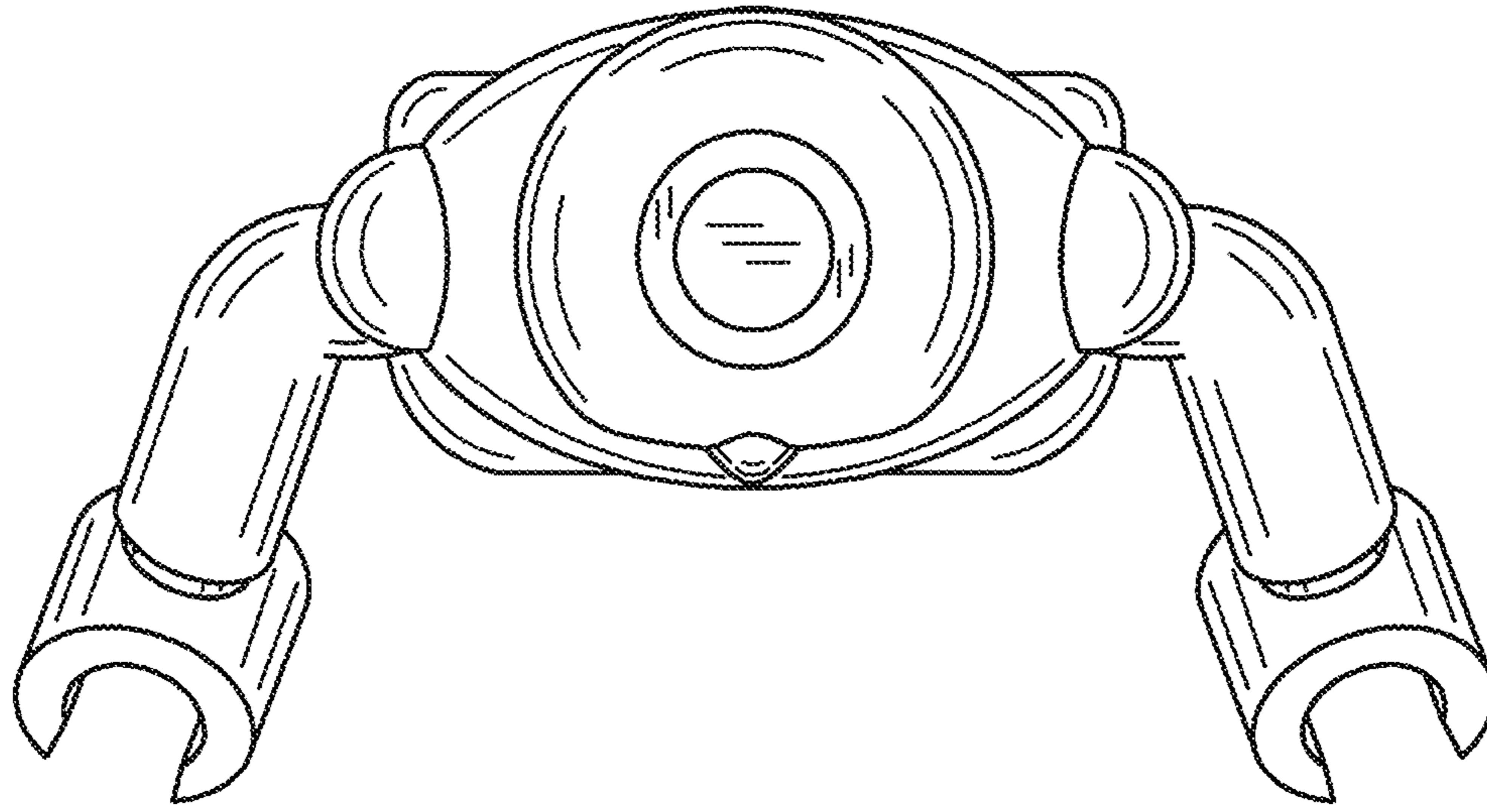


FIG. 4

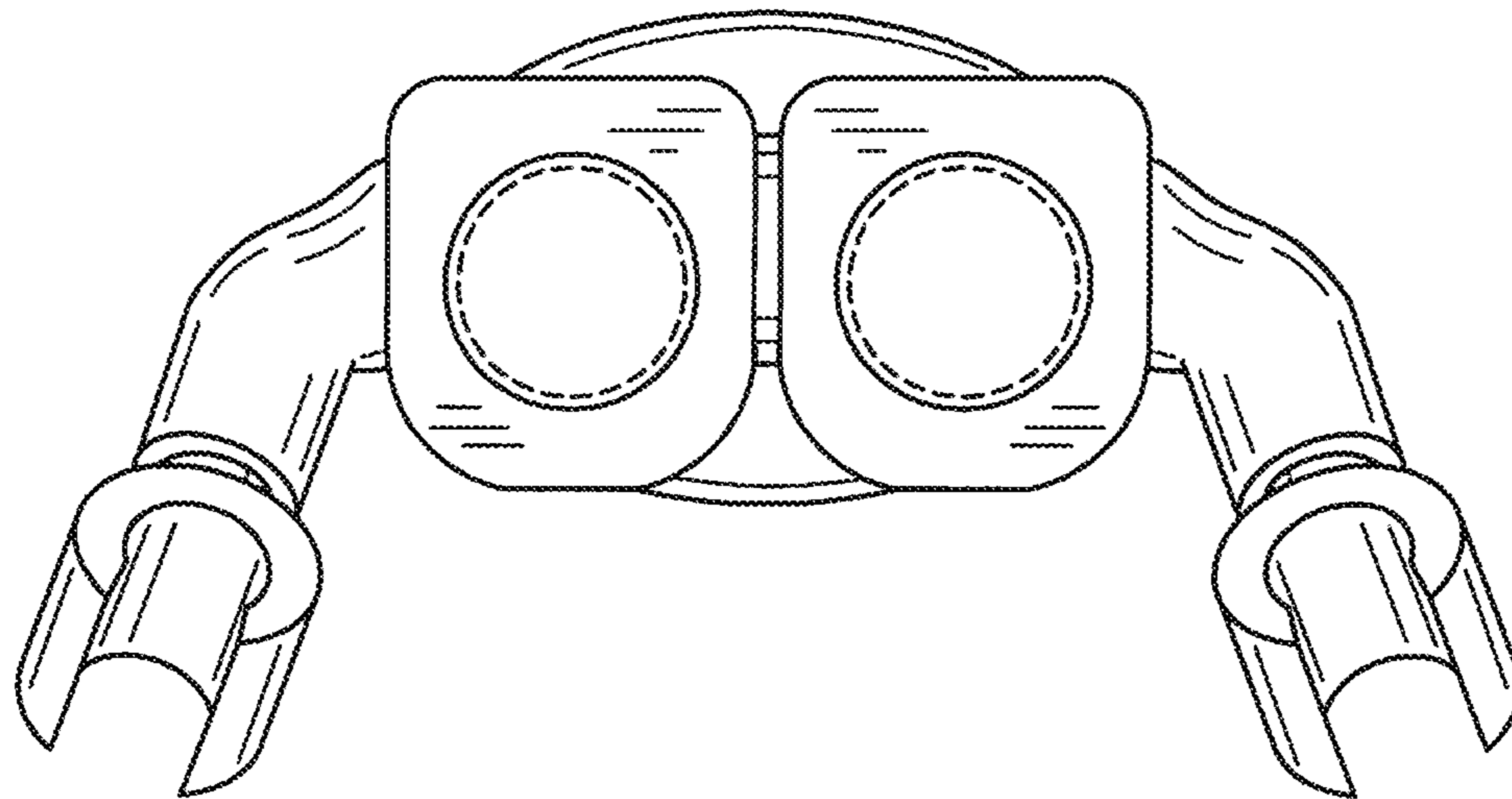


FIG. 5

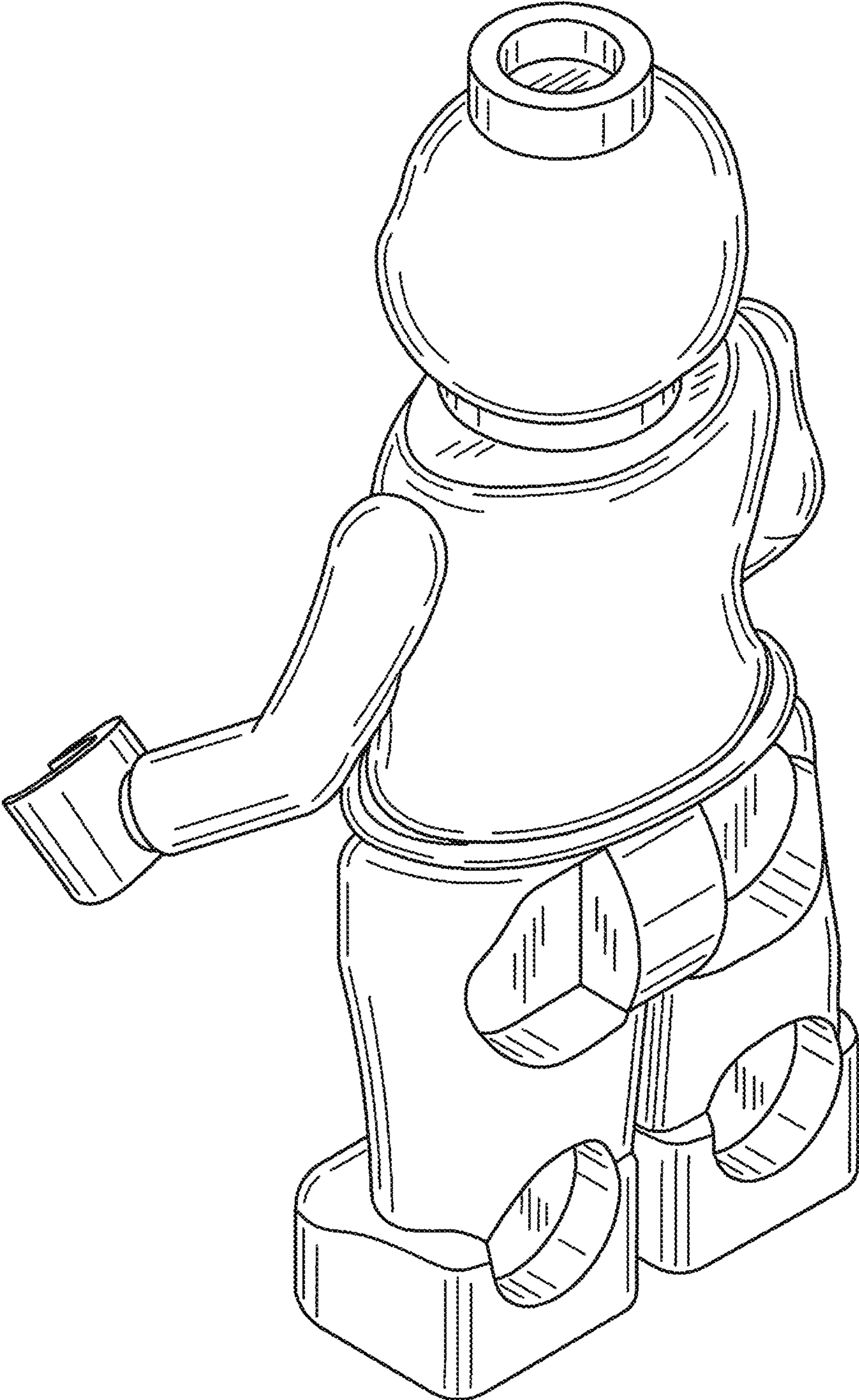


FIG. 6