



US00D879212S

(12) **United States Design Patent** (10) **Patent No.:** **US D879,212 S**
Barajas et al. (45) **Date of Patent:** **** Mar. 24, 2020**

(54) **VEHICLE BODY FOR A MODEL VEHICLE**
(71) Applicant: **TRAXXAS LP**, McKinney, TX (US)
(72) Inventors: **Jaime Felix Barajas**, Dallas, TX (US);
Jonathan Scott Wood, Lewisville, TX (US); **Kent Poteet**, Lucas, TX (US)
(73) Assignee: **TRAXXAS LP**, McKinney, TX (US)

5,334,078 A 8/1994 Hippely et al.
D385,245 S 10/1997 Gallitzendoerfer et al.
D404,691 S 1/1999 Gerisch et al.
D425,141 S 5/2000 Park
D458,188 S 6/2002 Wyszogrod et al.
D466,451 S * 12/2002 Trostle D12/98
(Continued)

(**) Term: **15 Years**
(21) Appl. No.: **29/646,766**

(22) Filed: **May 7, 2018**
(51) **LOC (12) Cl.** **21-01**
(52) **U.S. Cl.**
USPC **D21/562**; D21/550; D12/86; D12/98
(58) **Field of Classification Search**
USPC D12/86, 90-92, 88, 98; D21/424, 433,
D21/434, 533, 548-550, 559, 562;
296/181.1, 181.5, 181.3, 183.1, 37.6;
446/448
CPC B60R 9/06; B62D 35/00; B60C 2200/20;
B62B 5/0033; A63H 17/26; A63H
17/162; A63H 17/264; A63H 17/38;
A63H 29/00
See application file for complete search history.

OTHER PUBLICATIONS

Hot Wheels Skull Crusher Diecast Toy Car-Race Vehicle by Mattel-Auto Racing Toys Cars Collection, Feb. 22, 2012, [online], [Retrieved on Aug. 10, 2015] URL: <https://www.youtube.com/watch?v=fR1BWC9bqzM>.

(Continued)

Primary Examiner — Melody N Brown
(74) *Attorney, Agent, or Firm* — Daryl R. Wright; Greg Carr

(57) **CLAIM**

We claim the ornamental design for a vehicle body for a model vehicle, as shown and described.

DESCRIPTION

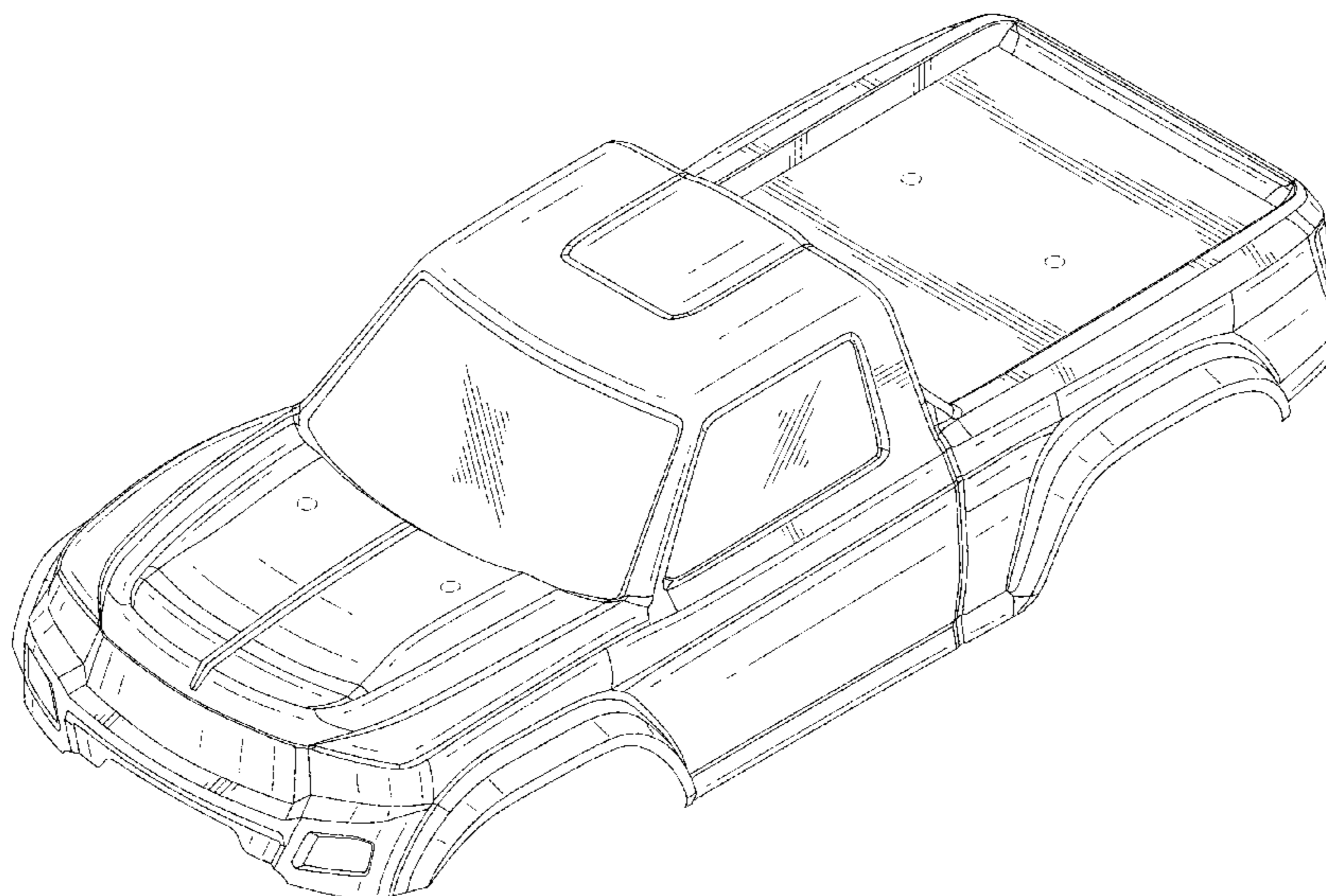
FIG. 1 is a top, front and left side perspective view of a vehicle body for a model vehicle showing our new design; FIG. 2 is front elevation view thereof; FIG. 3 is a rear elevation view thereof; FIG. 4 is a left side view thereof; FIG. 5 is a right side view thereof; FIG. 6 is a top plan view thereof; FIG. 7 is a bottom plan view thereof; FIG. 8 is a bottom, rear and right side perspective view thereof; and, FIG. 9 is another top, front and left side perspective view thereof shown in use. The portions of the vehicle shown in broken lines in FIG. 9 are for environmental and illustrative purposes and form no part of the claimed design.

(56) **References Cited**

U.S. PATENT DOCUMENTS

D203,841 S 2/1966 Power
D243,595 S 3/1977 Belz
D251,725 S 5/1979 Cesaro
D253,406 S 11/1979 Carabetta
D254,128 S 2/1980 Carabetta
D277,494 S 2/1985 Lerch
D281,000 S * 10/1985 Kuna D21/559
D293,310 S 12/1987 Clark et al.
D307,248 S 4/1990 Dettling
5,102,367 A 4/1992 Mullaney et al.
5,228,880 A 7/1993 Meyer et al.

1 Claim, 7 Drawing Sheets



(56)

References Cited

U.S. PATENT DOCUMENTS

D496,409 S * 9/2004 Tilbor D21/559
 D529,967 S 10/2006 Bowen et al.
 D538,861 S 3/2007 Takahashi
 7,217,170 B2 5/2007 Moll et al.
 D547,249 S 7/2007 Kurtz et al.
 D550,311 S 9/2007 Chen
 D566,788 S 4/2008 Pasko
 D566,789 S 4/2008 Idiot
 D566,790 S 4/2008 Idiot
 D567,301 S 4/2008 Idiot
 7,387,558 B2 6/2008 Swisher et al.
 D579,823 S 11/2008 Choi
 D592,256 S 5/2009 Yaguchi
 D593,163 S 5/2009 Torres et al.
 D603,295 S 11/2009 Honeycutt et al.
 D605,083 S 12/2009 Manoogian, II et al.
 D612,767 S 3/2010 Barkan
 D617,851 S 6/2010 Stoddard
 D630,971 S 1/2011 Jung
 D671,454 S 11/2012 Davidson et al.
 8,342,904 B2 1/2013 Torres
 D693,737 S 11/2013 Hammoud et al.
 D707,608 S 6/2014 Smith
 D709,007 S 7/2014 Henry et al.
 D709,008 S 7/2014 Brzustowicz et al.
 D709,009 S 7/2014 Brzustowicz et al.

D728,037 S 4/2015 Barajas et al.
 D740,180 S * 10/2015 Agnew D12/98
 D740,181 S * 10/2015 Agnew D12/98
 D741,416 S 10/2015 Barajas et al.
 D741,956 S 10/2015 Barajas et al.
 D769,378 S 10/2016 Belker et al.
 D770,339 S 11/2016 Lindsey
 D770,350 S 11/2016 Lindsey
 D770,575 S 11/2016 Belker et al.
 D771,202 S 11/2016 Gan
 D771,203 S 11/2016 Gan
 D792,526 S 7/2017 Belker et al.
 D802,685 S * 11/2017 Barajas D21/562
 D826,341 S 8/2018 Poteet et al.
 D826,342 S 8/2018 Poteet et al.
 D826,343 S 8/2018 Poteet et al.
 D827,056 S 8/2018 Poteet et al.
 D841,743 S * 2/2019 Barajas D21/548
 D842,386 S 3/2019 Barajas et al.
 D842,387 S 3/2019 Barajas et al.
 D862,610 S * 10/2019 Barajas D21/548
 D862,611 S * 10/2019 Barajas D21/548
 D865,569 S * 11/2019 Jeung D12/98

OTHER PUBLICATIONS

PROTOform; Protoform Ford GT 2017; <http://racepf.com/on-road-1-10-1-12/ford-gt-clear-body/>; Sep. 2016.

* cited by examiner

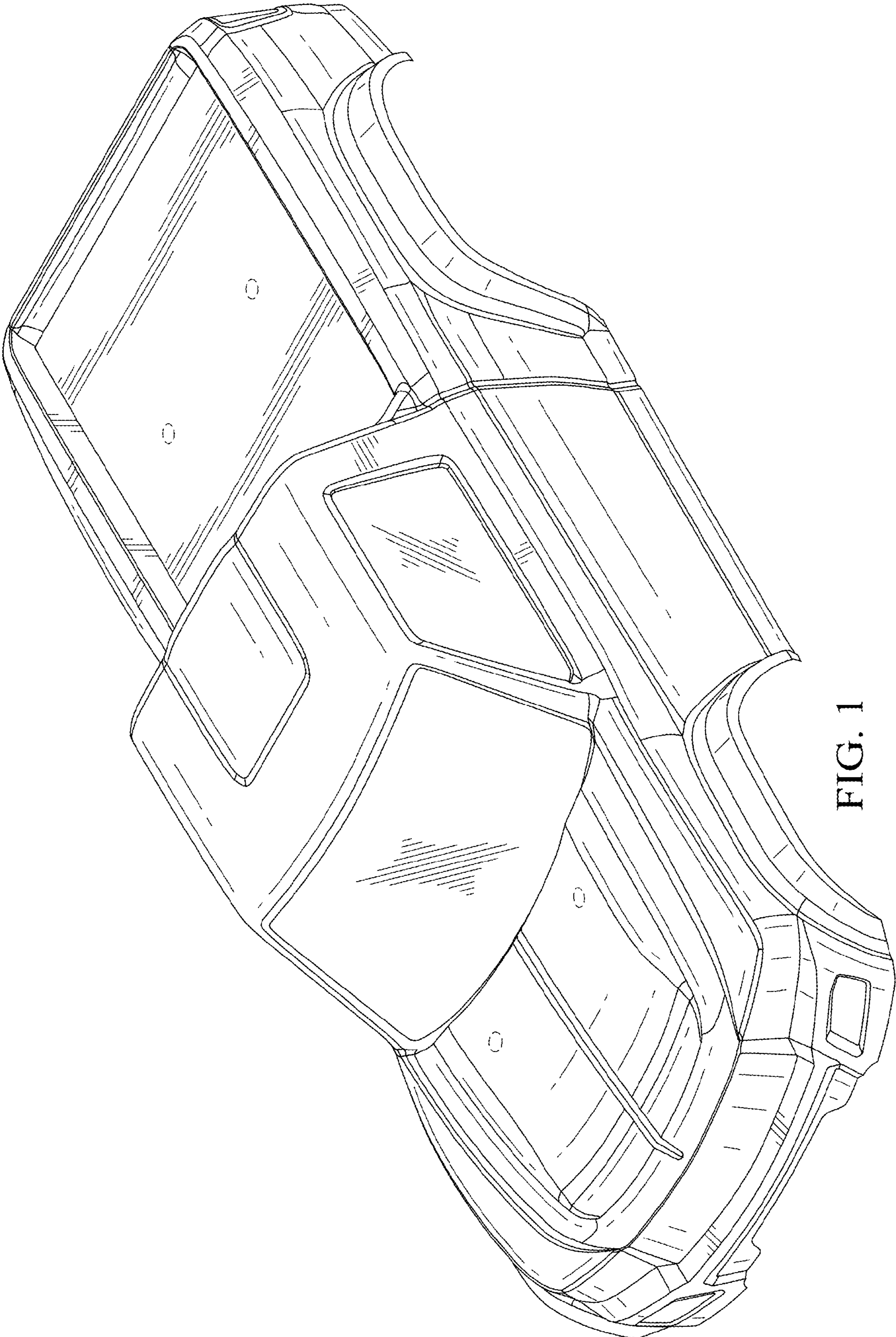


FIG. 1

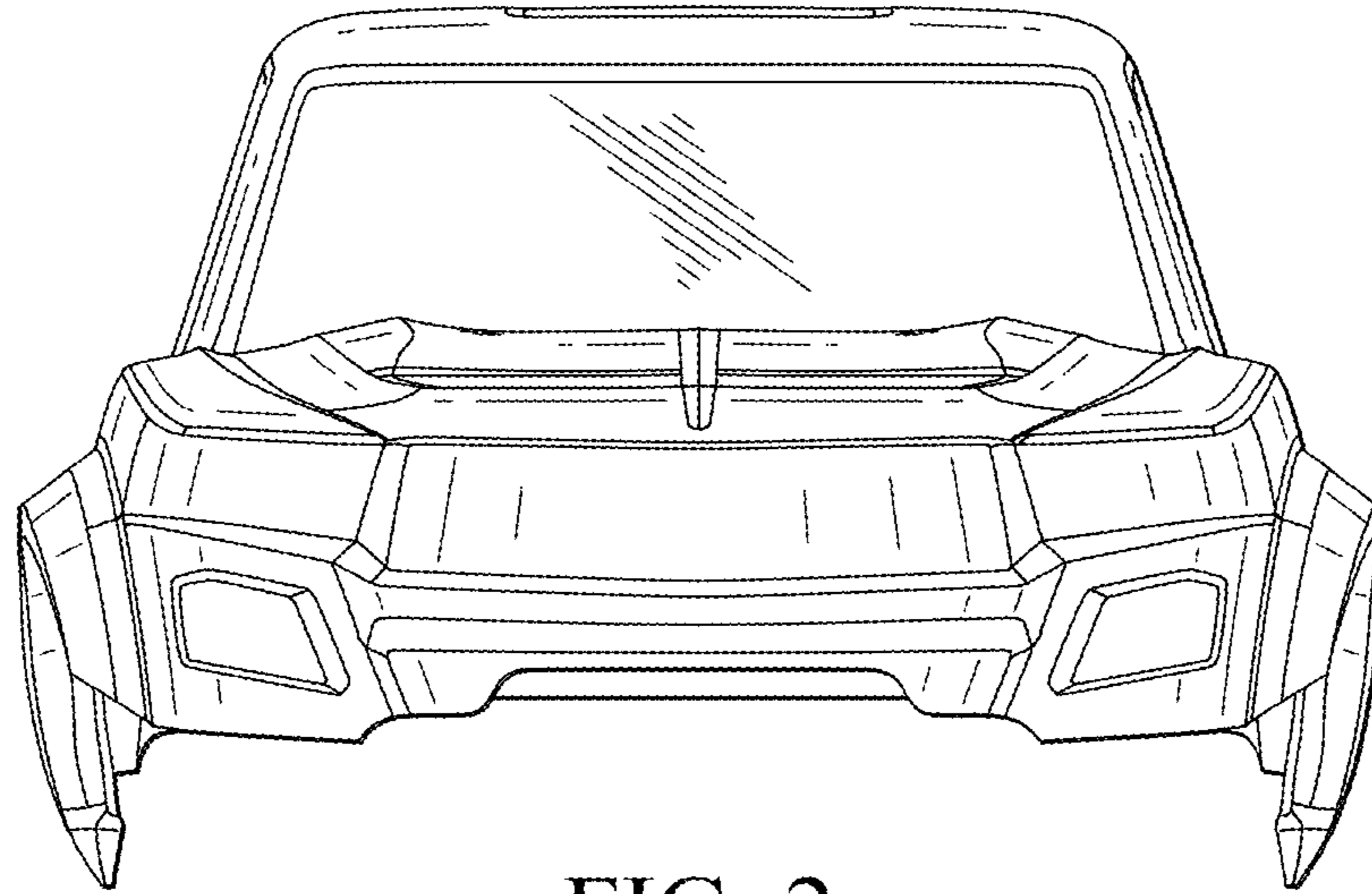


FIG. 2

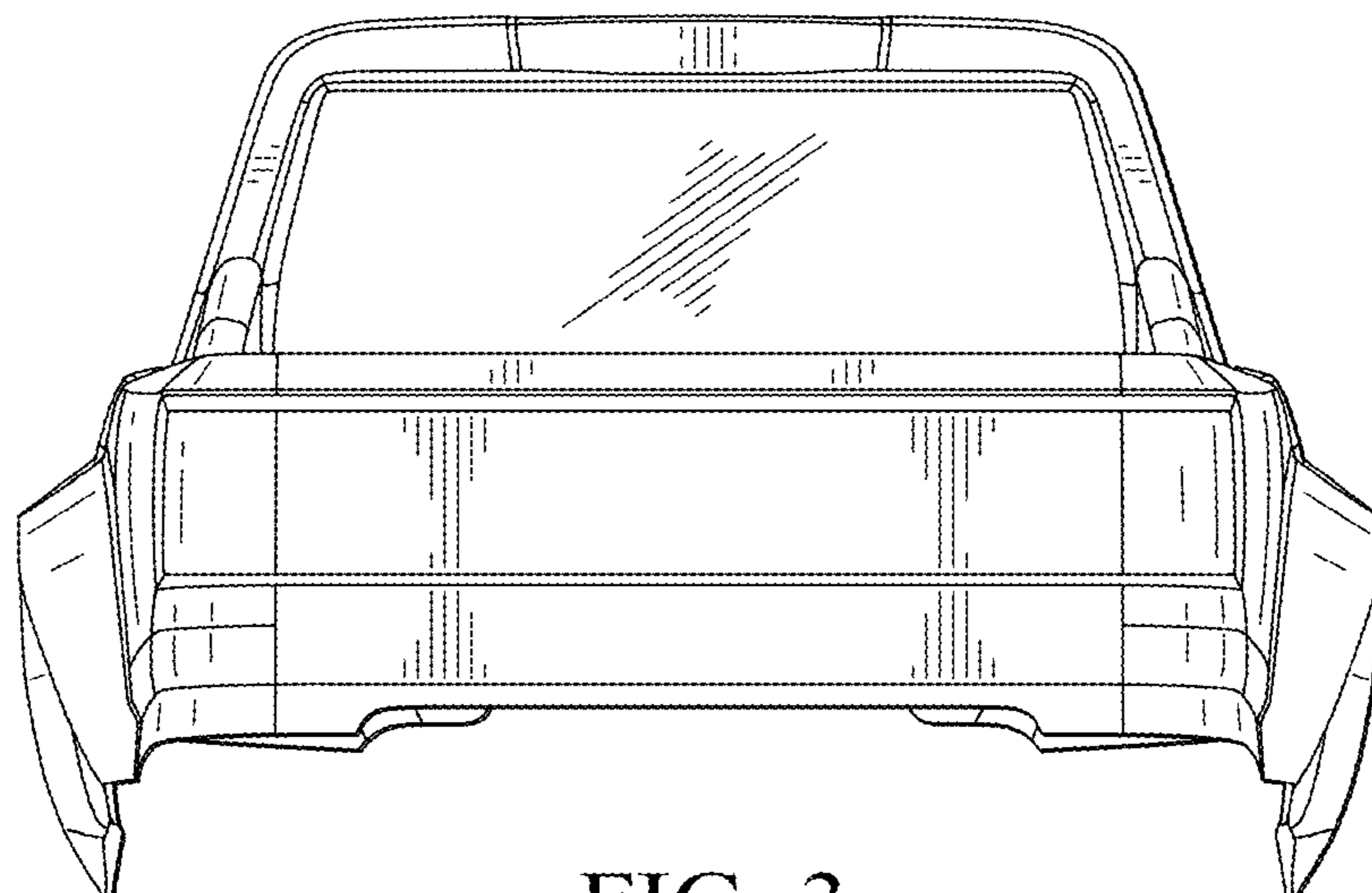


FIG. 3

FIG. 4

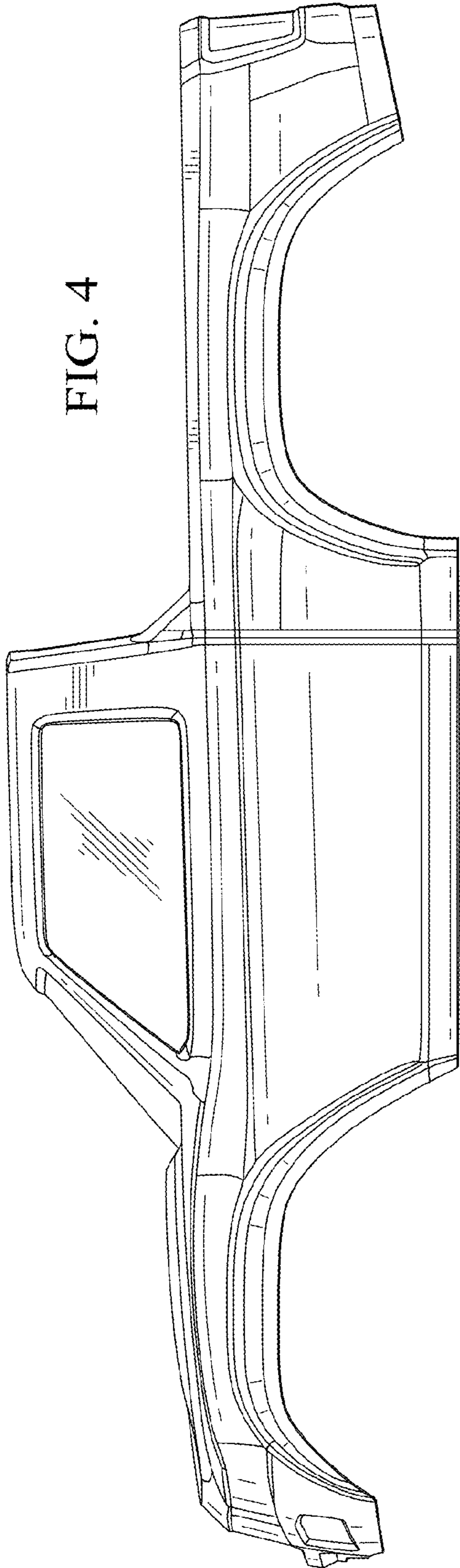
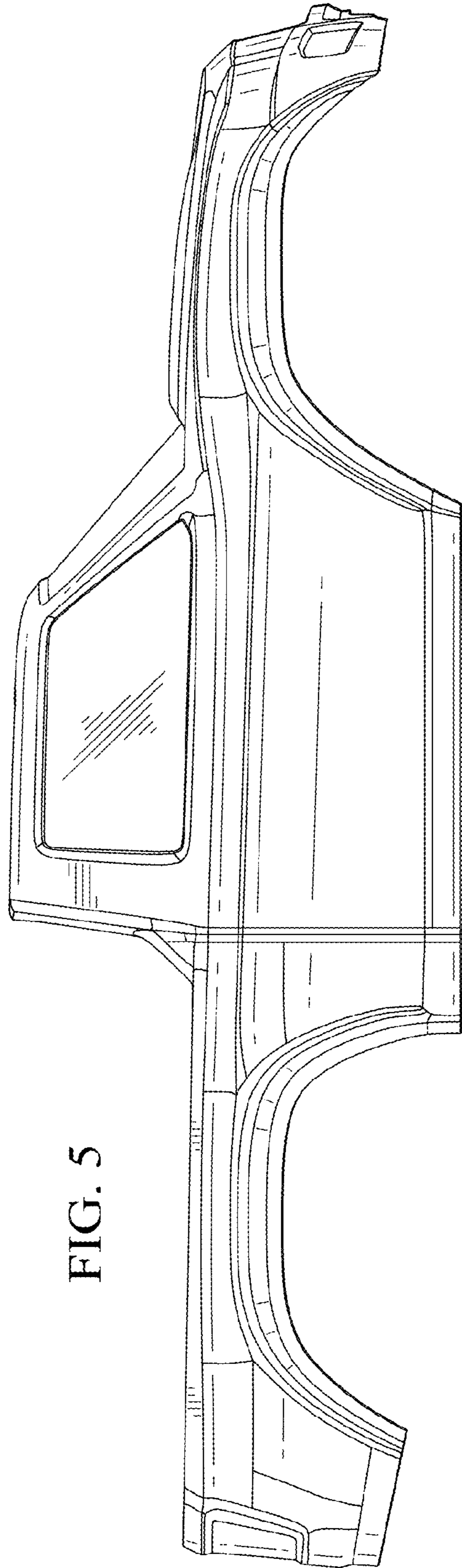


FIG. 5



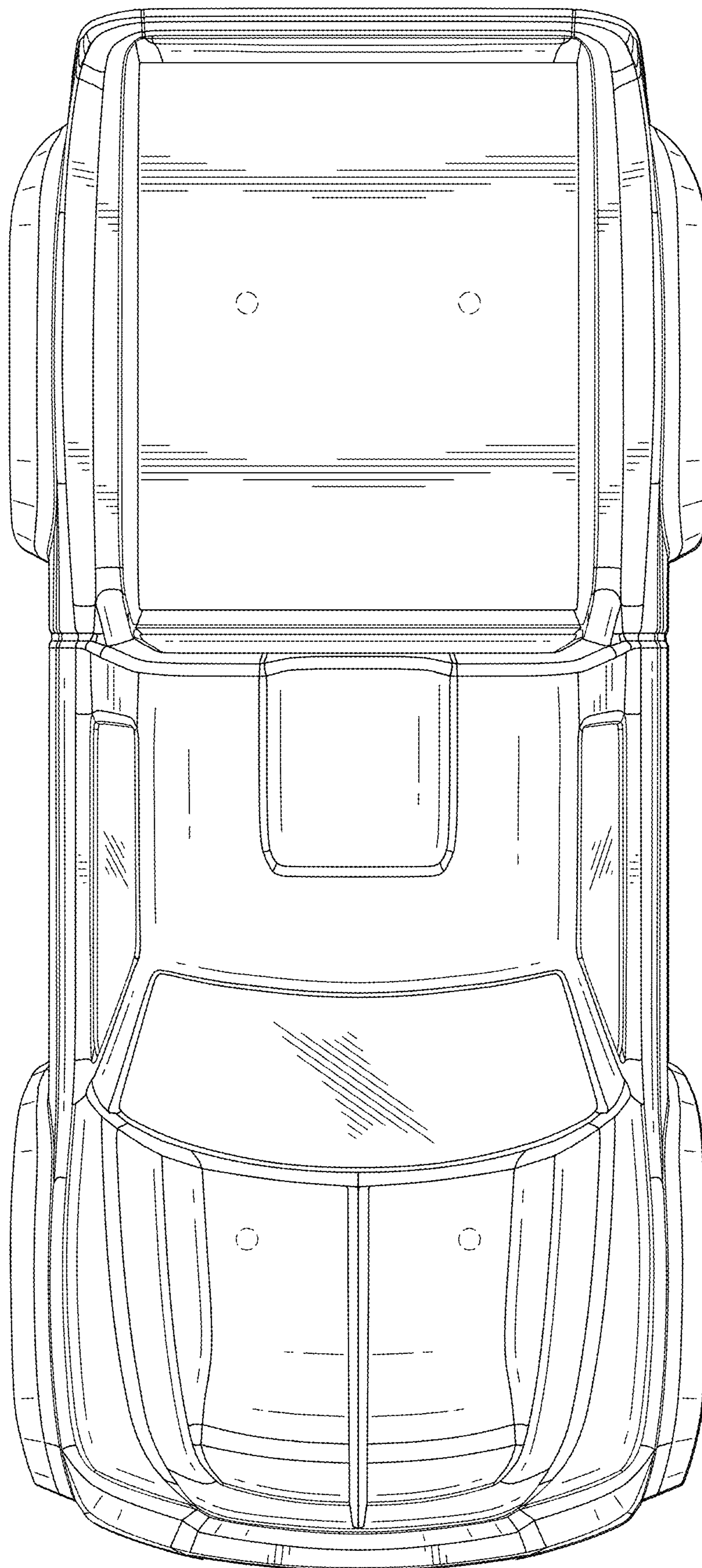


FIG. 6

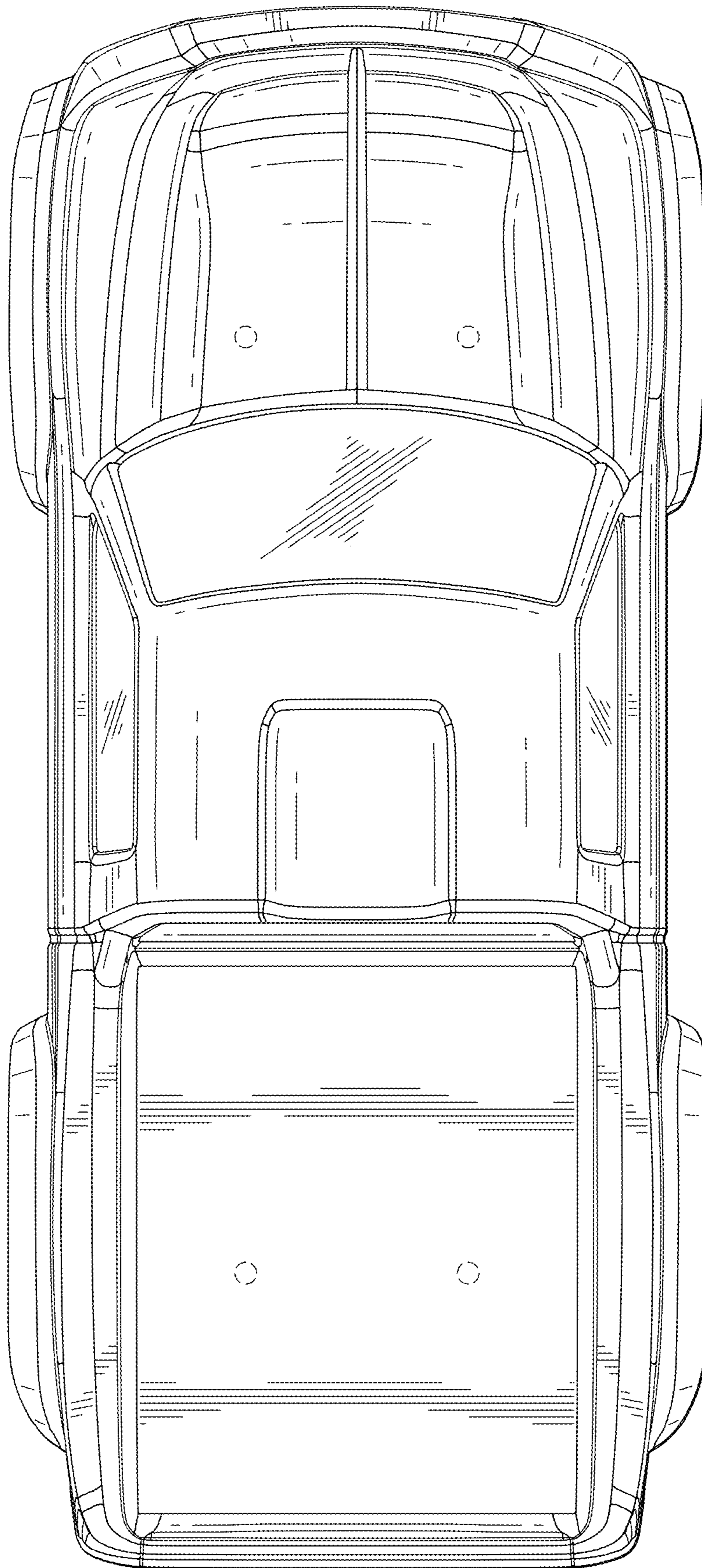


FIG. 7

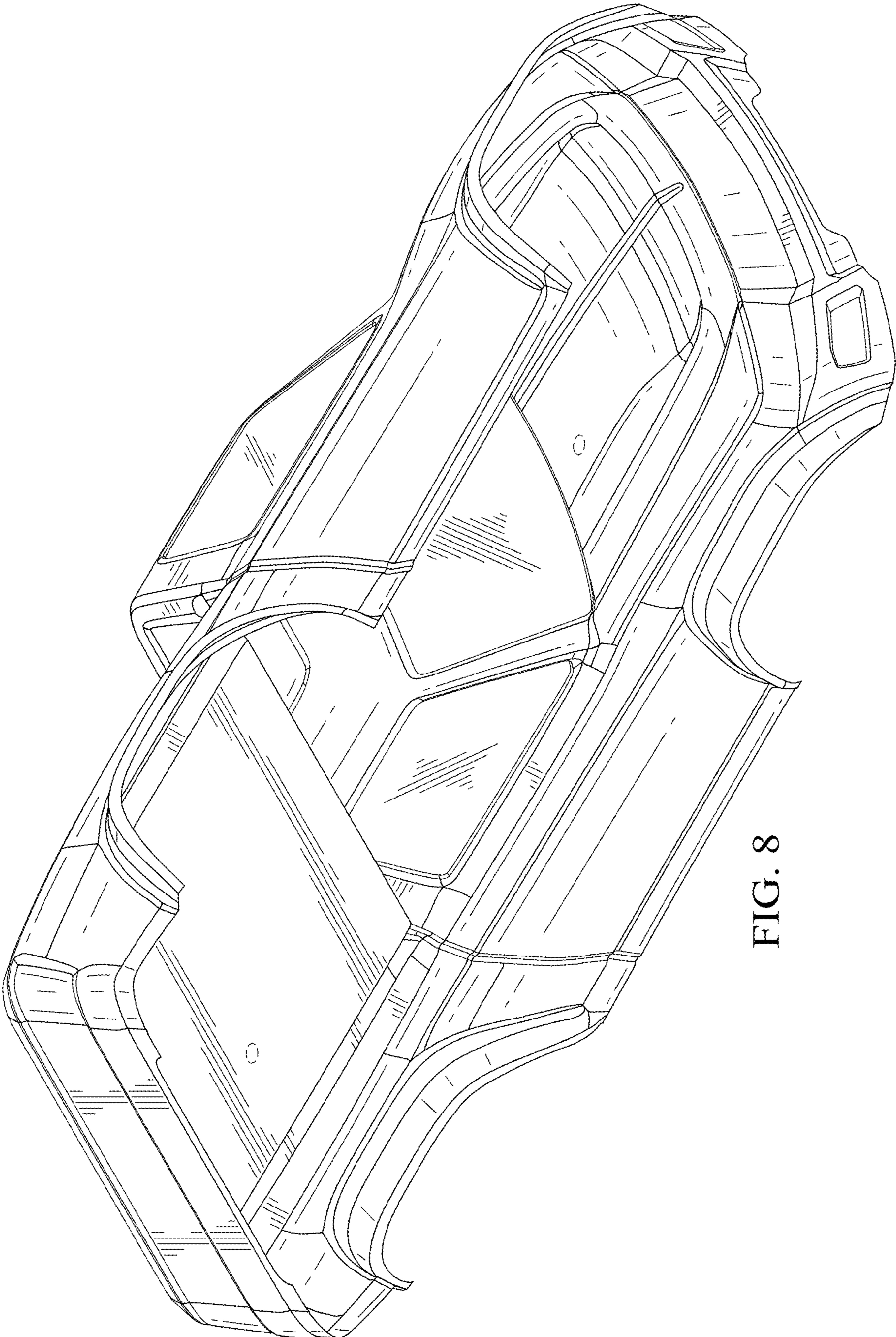


FIG. 8

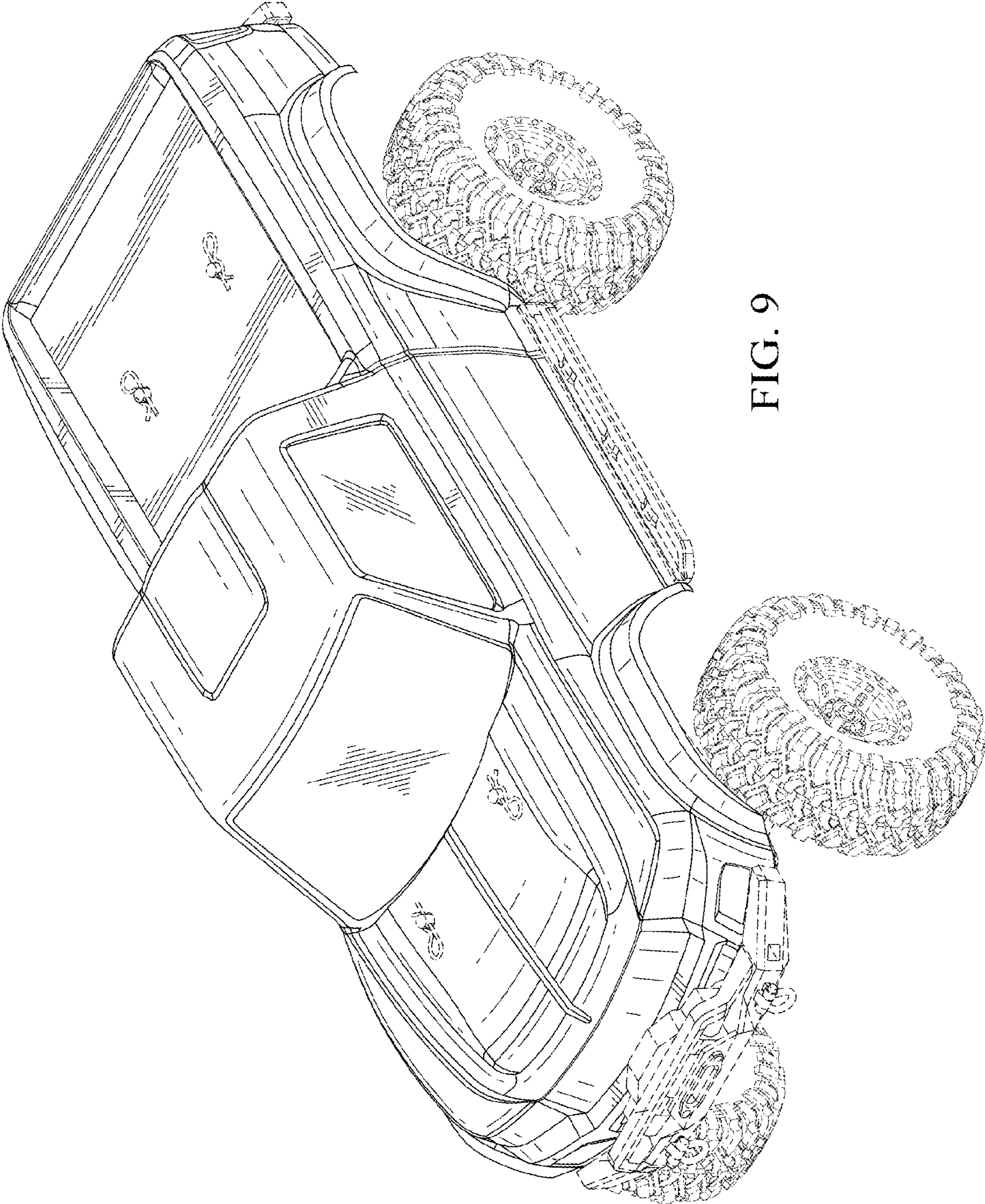


FIG. 9