



US00D879210S

(12) **United States Design Patent**
Bloch et al.

(10) **Patent No.:** **US D879,210 S**
(45) **Date of Patent:** **** Mar. 24, 2020**

- (54) **BULLDOZER TOY**
- (71) Applicant: **RED TOOLBOX LTD.**, Kochav Yair (IL)
- (72) Inventors: **Shaul Bloch**, Har-Adar (IL); **Liran Bloch**, Har-Adar (IL)
- (73) Assignee: **RED TOOLBOX LTD**, Kochav Yair (IL)
- (**) Term: **15 Years**
- (21) Appl. No.: **29/663,928**
- (22) Filed: **Sep. 20, 2018**
- (51) **LOC (12) Cl.** **21-01**
- (52) **U.S. Cl.**
USPC **D21/522**; D21/424
- (58) **Field of Classification Search**
USPC D12/86, 88, 90–92, 164, 173, 184–186, D12/190, 196; D21/419, 421, 423–426, D21/433–434, 537, 548, 549, 550, 552, D21/559, 561
CPC A63H 17/26; A63H 17/262; A63H 17/264; A63H 17/266; A63H 17/36; A63H 17/38; A63H 29/00; A63H 29/22; A63H 29/24; A63H 30/04
See application file for complete search history.

(56) **References Cited**

U.S. PATENT DOCUMENTS

D262,391 S *	12/1981	Kanaoki	D21/450
D274,632 S *	7/1984	Terui	D21/559
D281,000 S *	10/1985	Kuna	D21/559
D281,987 S *	12/1985	Catelli	D21/552
D289,187 S *	4/1987	Ohno	D21/580
D312,488 S *	11/1990	Kwan	D21/551
5,372,534 A *	12/1994	Levy	A63H 17/26 180/209

D401,292 S *	11/1998	Park	D21/537
D421,073 S *	2/2000	Wei	15/25
D424,130 S *	5/2000	Wei	D21/537
D425,142 S *	5/2000	Wei	D21/552
D443,318 S *	6/2001	Tse	D21/559
D454,602 S *	3/2002	Tse	D21/552
6,508,320 B2 *	1/2003	Huntsberger	B62K 9/00 180/65.1
D549,738 S *	8/2007	Hiraoka	D15/25
D678,425 S *	3/2013	Foster	D21/537
D721,769 S *	1/2015	Johnson	D21/552
D771,202 S *	11/2016	Gan	D21/552
D771,203 S *	11/2016	Gan	D21/552
D827,038 S *	8/2018	Exley	D21/434
D840,477 S *	2/2019	Flores	D21/548
D852,900 S *	7/2019	Zhou	D21/552
2014/0170932 A1 *	6/2014	Lee	A63H 17/26 446/409

* cited by examiner

Primary Examiner — Manpreet S Matharu

Assistant Examiner — Keith J Wilson

(74) *Attorney, Agent, or Firm* — Soroker Agmon Nordman

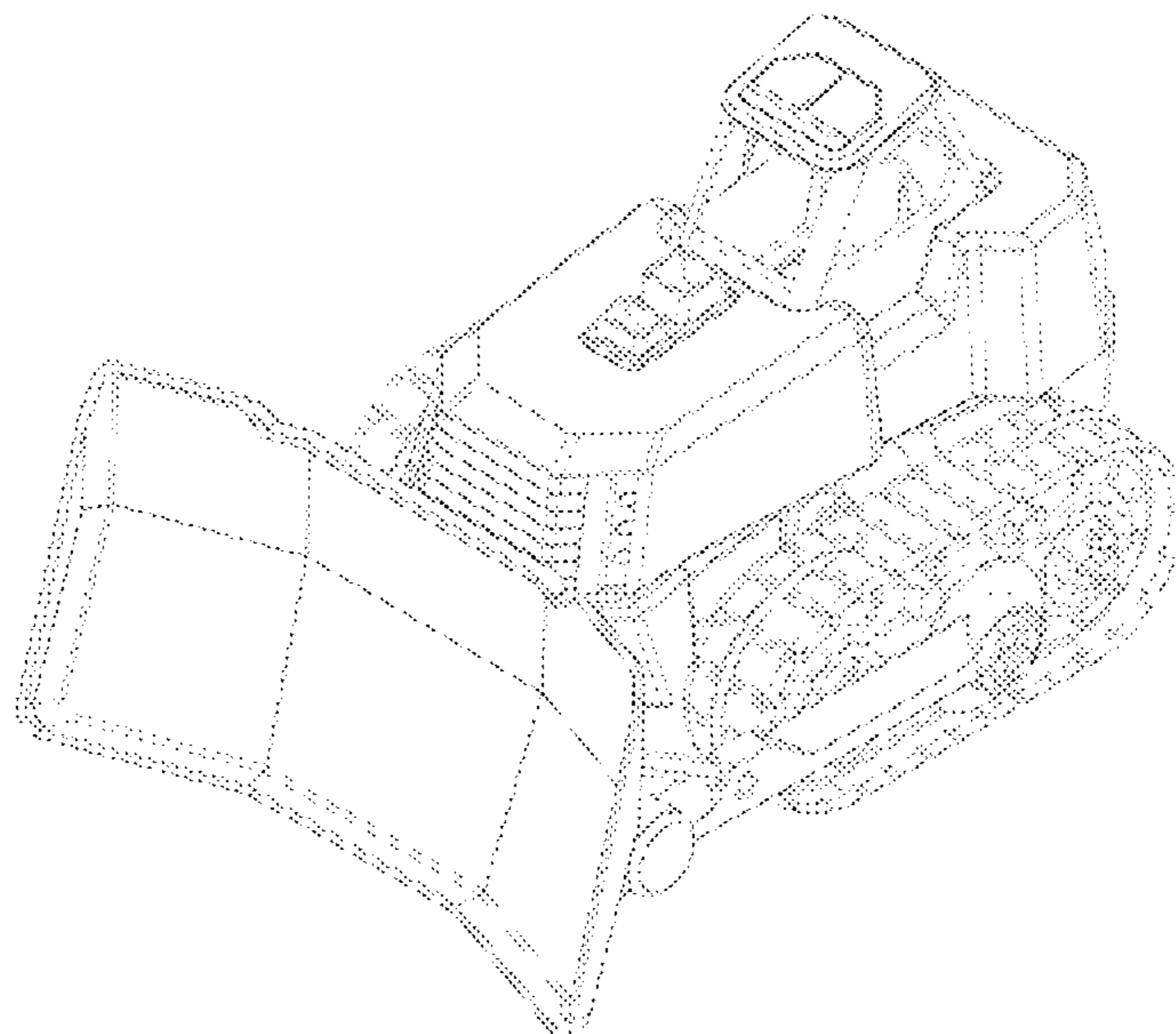
(57) **CLAIM**

We claim the ornamental design for a bulldozer toy, as shown and described.

DESCRIPTION

FIG. 1 is a left side elevational view of a bulldozer toy, showing our new design;
 FIG. 2 is a right side view thereof;
 FIG. 3 is a front view thereof;
 FIG. 4 is a left side view thereof;
 FIG. 5 is a rear view thereof;
 FIG. 6 is a bottom view thereof; and,
 FIG. 7 is a top view thereof.
 The broken lines depict concentric circles. The broken lines and structure they depict form no part of the claimed design.

1 Claim, 4 Drawing Sheets



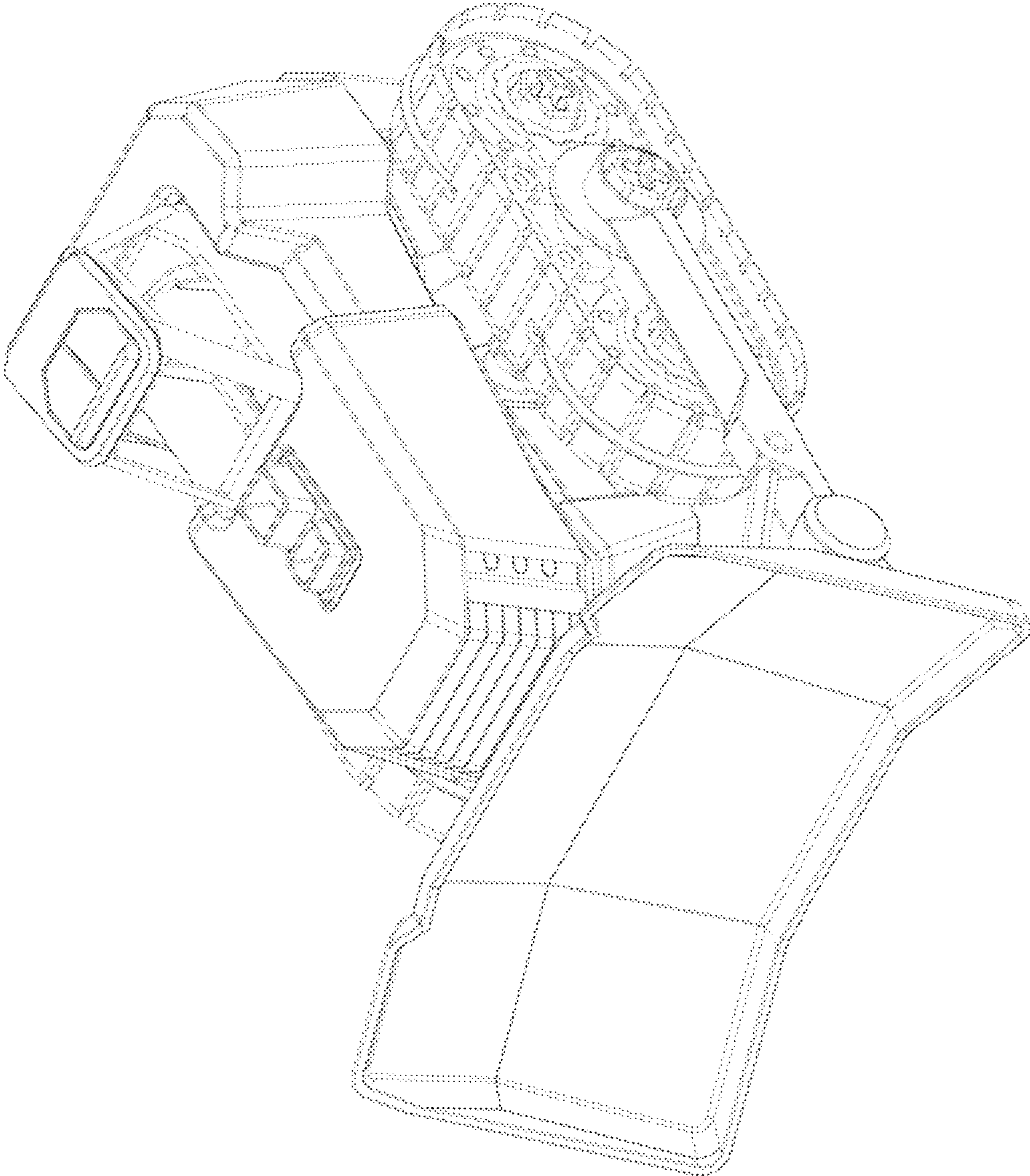


FIG. 1

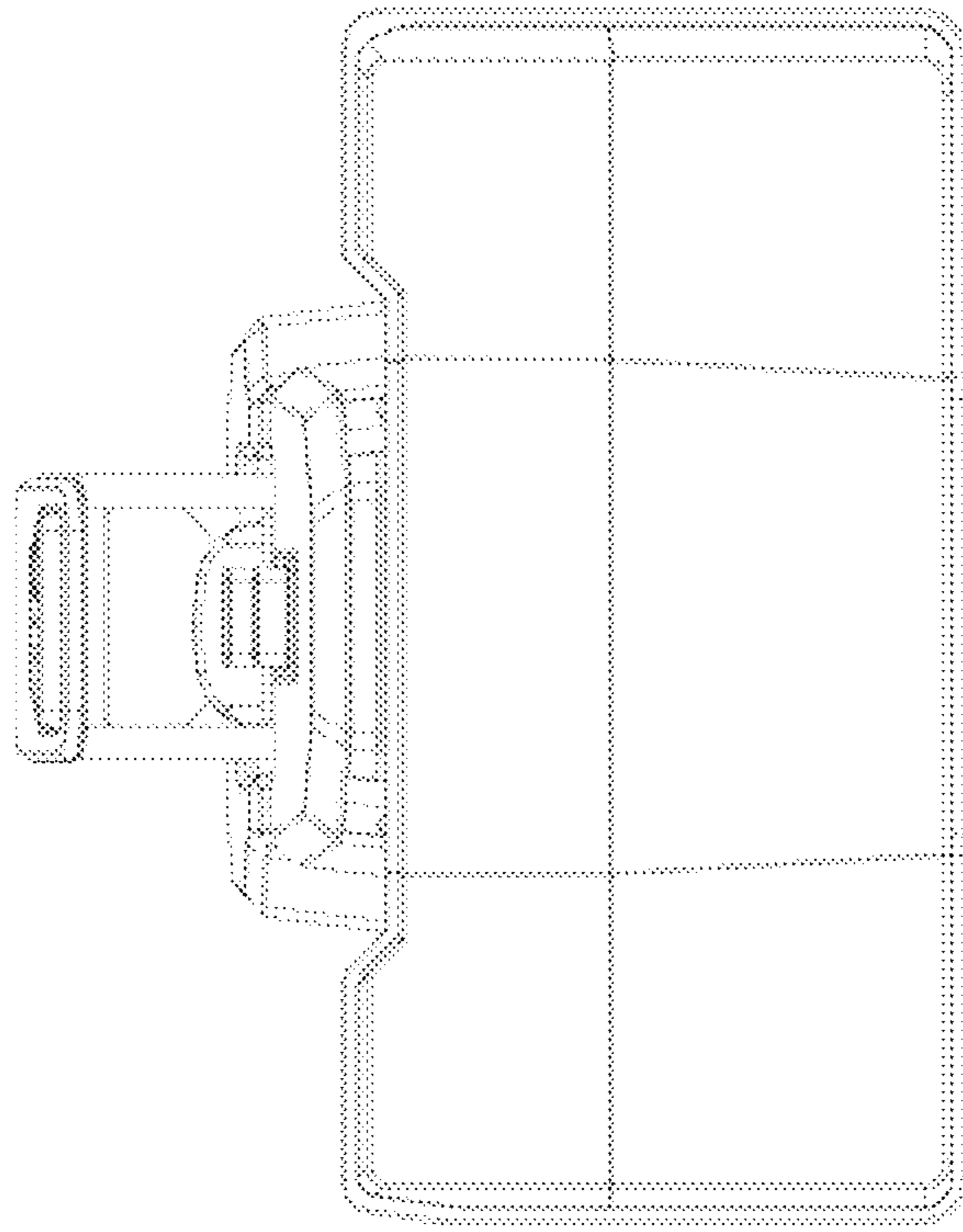


FIG. 3

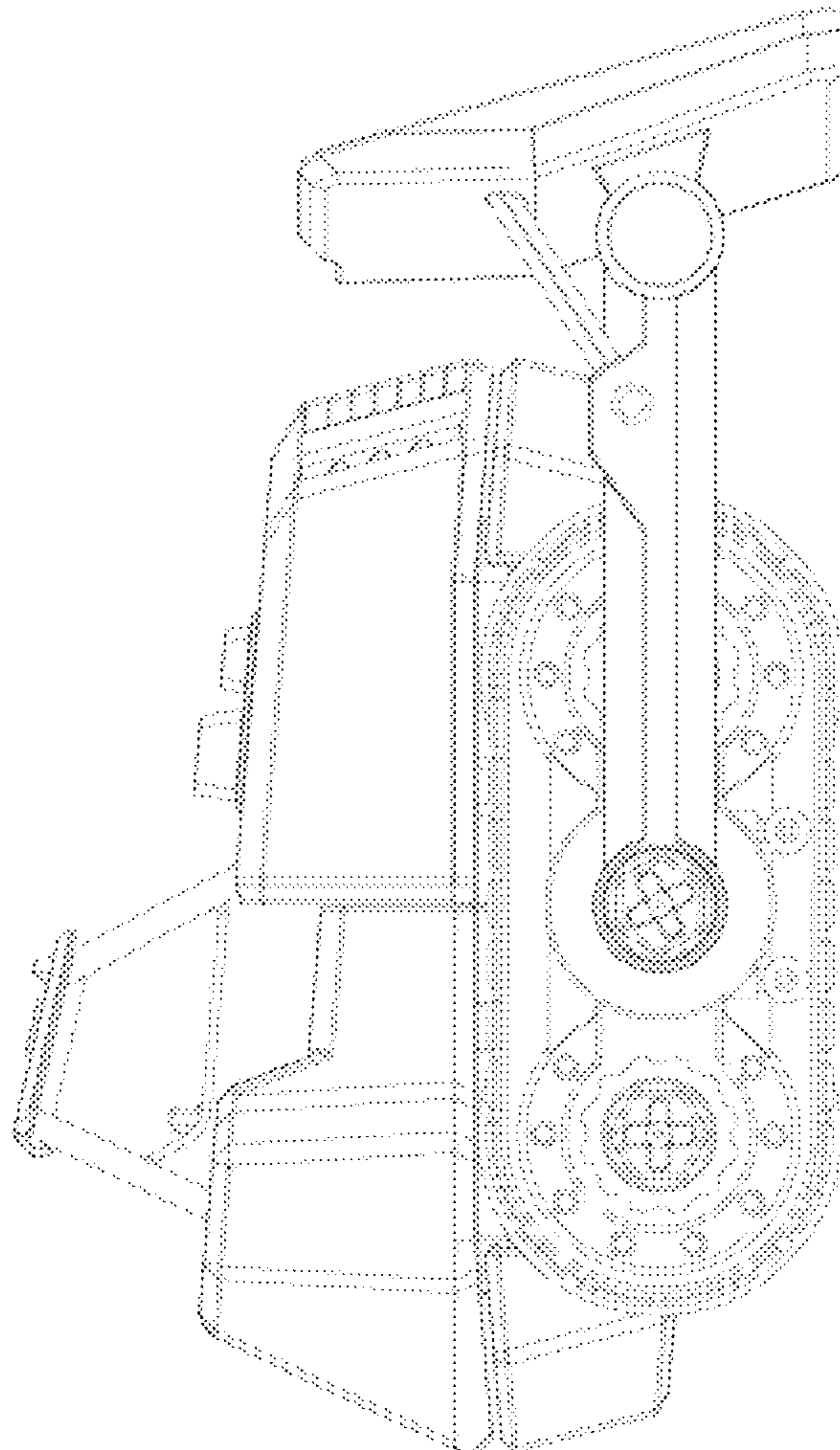


FIG. 2

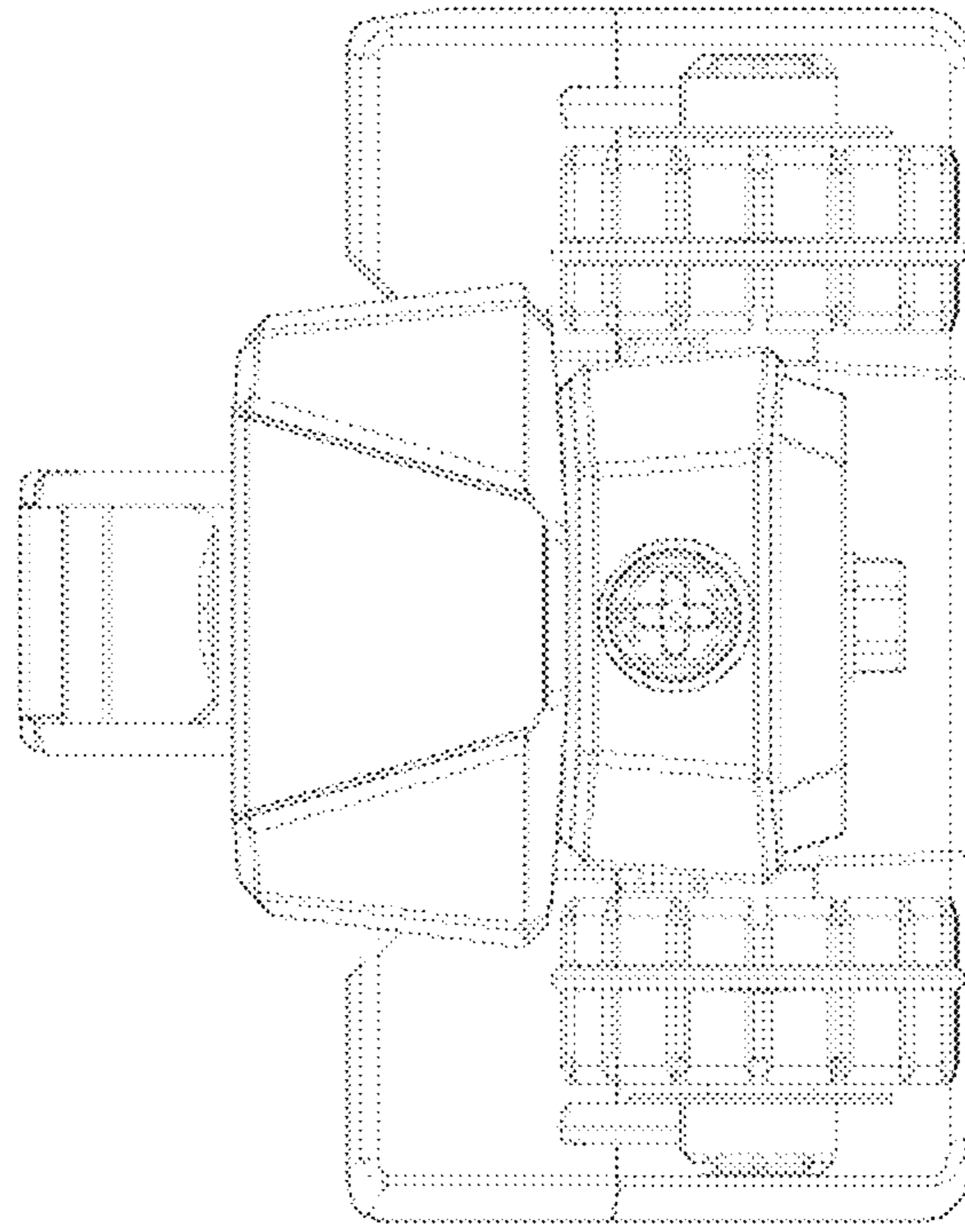


FIG. 5

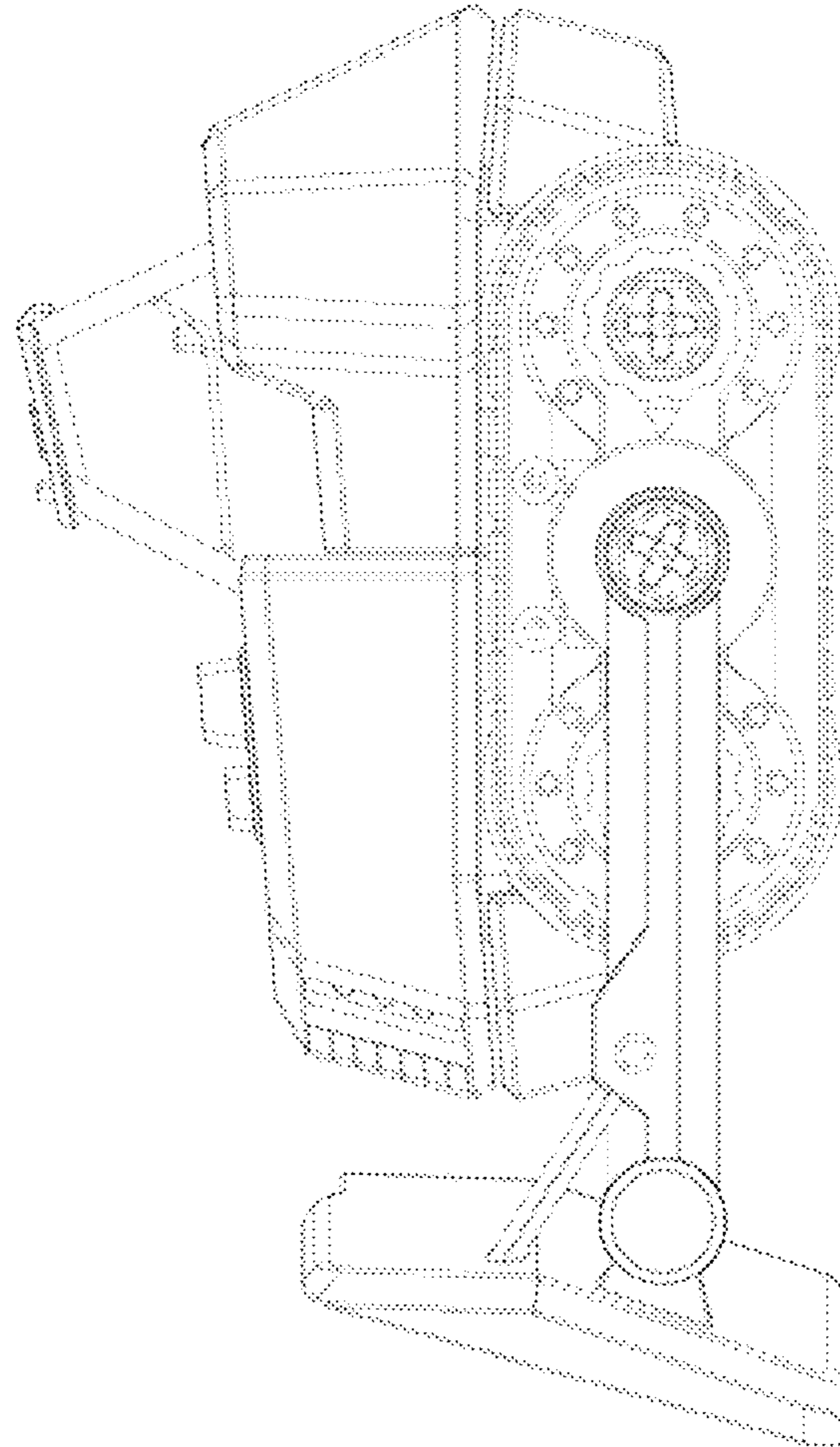


FIG. 4

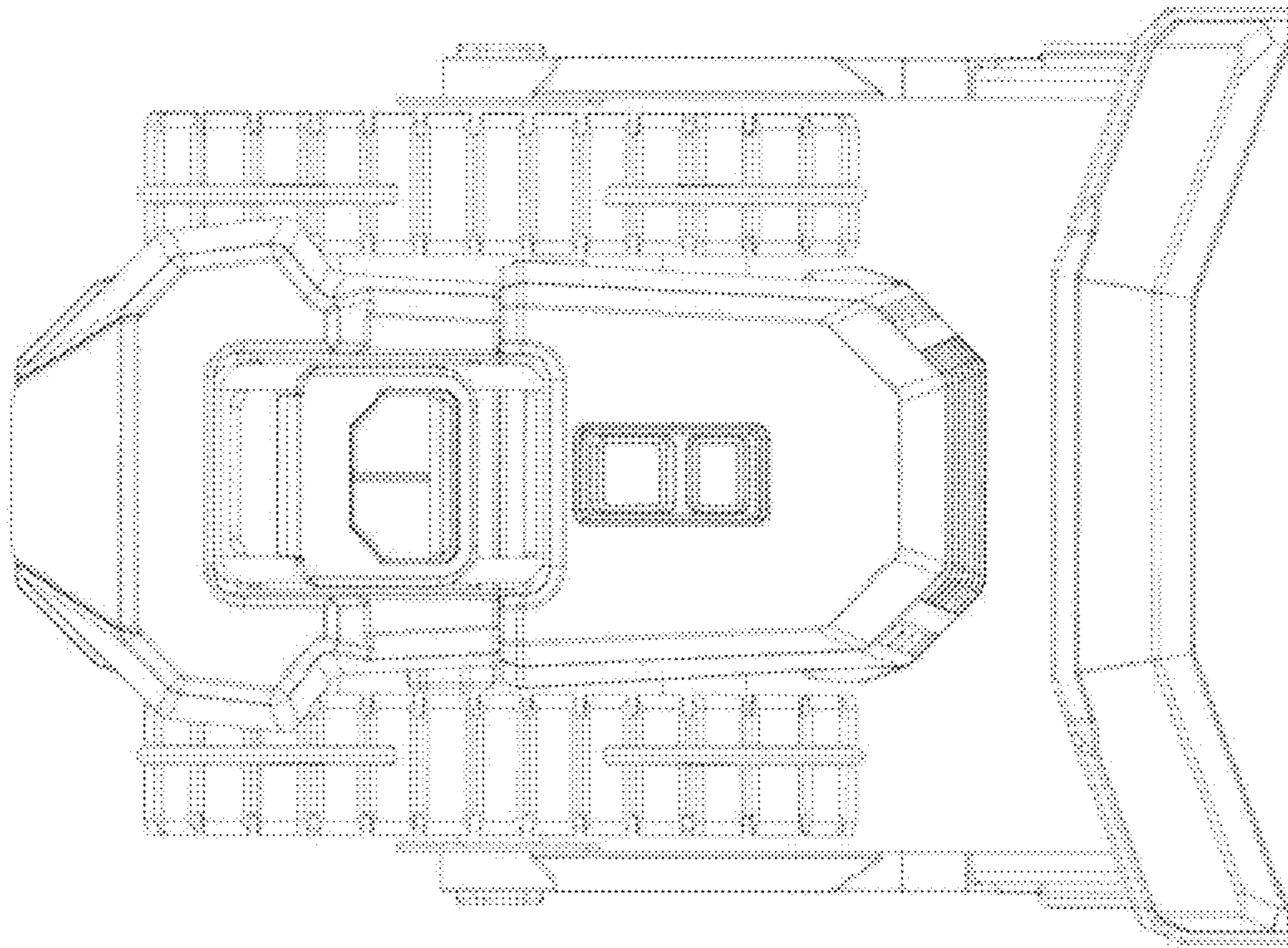


FIG. 7

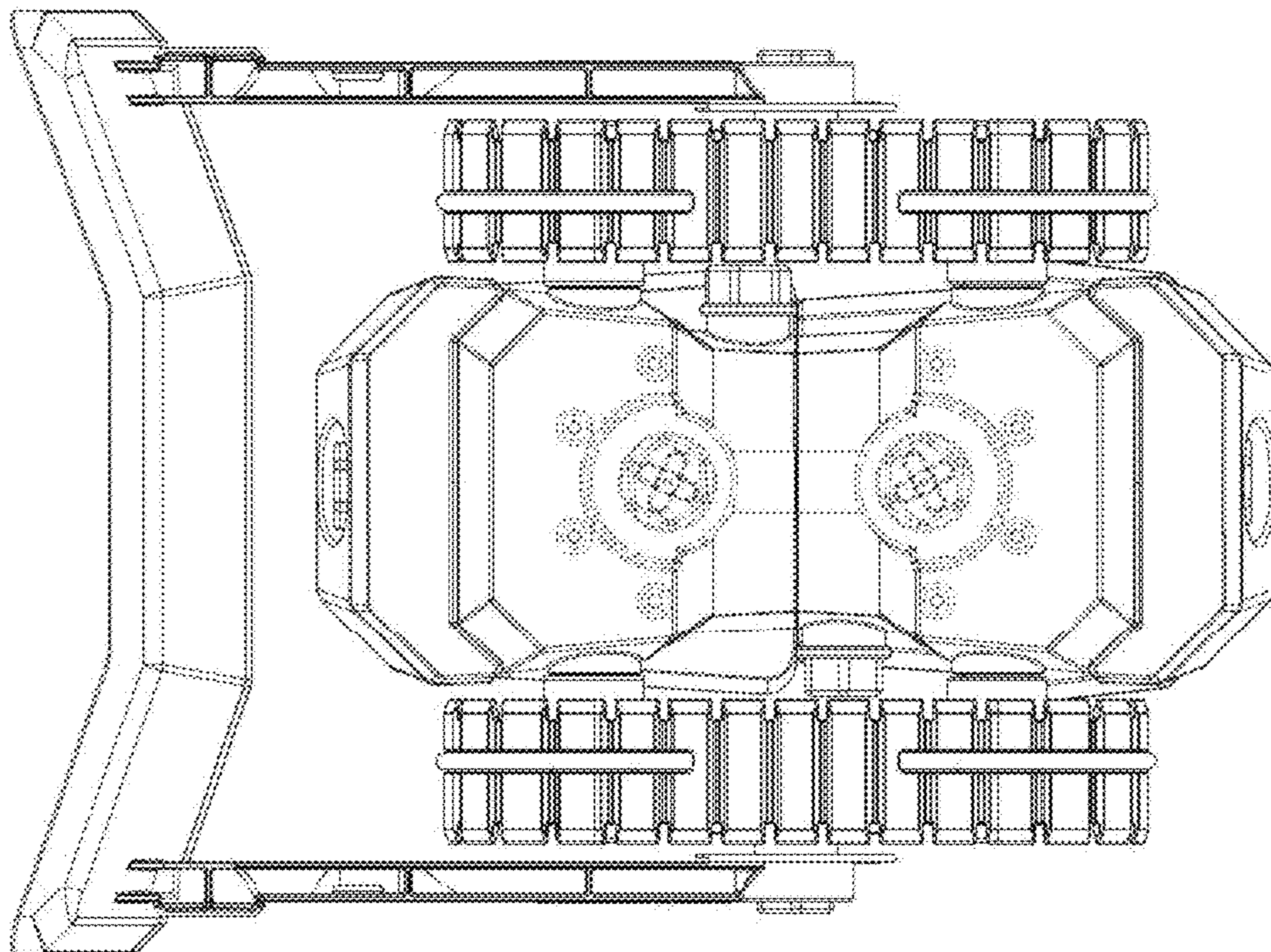


FIG. 6