



US00D879209S

(12) **United States Design Patent**
Ewing

(10) **Patent No.:** **US D879,209 S**
(45) **Date of Patent:** **** Mar. 24, 2020**

(54) **BODY WING FOR A MODEL VEHICLE**

(71) Applicant: **Traxxas, LP**, McKinney, TX (US)

(72) Inventor: **Adam Cole Ewing**, McKinney, TX (US)

(73) Assignee: **TRAXXAS LP**, McKinney, TX (US)

(**) Term: **15 Years**

(21) Appl. No.: **29/661,438**

(22) Filed: **Aug. 28, 2018**

(51) **LOC (12) Cl.** **21-01**

(52) **U.S. Cl.**
USPC **D21/433**; D12/181

(58) **Field of Classification Search**
USPC D12/88, 191, 196, 190, 400, 181, 86,
D12/90-92; D21/421, 433, 434
CPC B62D 35/007; B62D 35/00; B62D 25/00;
B62D 25/06; B62D 33/00
See application file for complete search history.

(56) **References Cited**

U.S. PATENT DOCUMENTS

D277,494 S	2/1985	Lerch	
D281,000 S	10/1985	Kuna et al.	
D307,248 S	4/1990	Dettling	
D407,997 S	4/1999	Sacco et al.	
D437,309 S	2/2001	Brennan	
D473,831 S *	4/2003	Saleen	D12/181
D488,113 S *	4/2004	Nelson	D12/181
D496,409 S	9/2004	Tilbor	
D535,598 S *	1/2007	Murkett	D12/181
D535,708 S *	1/2007	Yuen	D21/548
7,175,229 B2 *	2/2007	Garcia	B62D 35/007 296/180.1
D547,249 S	7/2007	Kurtz et al.	
D566,789 S	4/2008	Idiot	
D566,790 S *	4/2008	Idiot	D21/552
D567,301 S	4/2008	Idiot	
D577,314 S *	9/2008	Taylor	D12/88

D603,295 S	11/2009	Honeycutt et al.	
D605,083 S	12/2009	Manoogian, II et al.	
D612,767 S	3/2010	Barkan	
D656,439 S *	3/2012	Saracoglu	D12/181
D728,037 S	4/2015	Barajas et al.	
D769,378 S	10/2016	Belker et al.	
D770,575 S	11/2016	Belker et al.	
D771,202 S	11/2016	Gan	
D771,203 S	11/2016	Gan	
D790,402 S	6/2017	Perini	
D792,285 S	7/2017	Manzoni et al.	

(Continued)

OTHER PUBLICATIONS

Amazon.com. "Traxxas TRA6721 Wing, Rustler 4x4 (Black)" First reviewed Aug. 23, 2019. Retrieved Sep. 22, 2019. (<https://www.amazon.com/Traxxas-TRA6721-Rustler-Black-3x8mm/dp/B07HJHBM85/>).*

Primary Examiner — Susan E Krakower
Assistant Examiner — Jerry Shiuan-Hua Hsu
(74) *Attorney, Agent, or Firm* — Daryl R. Wright; Greg Carr

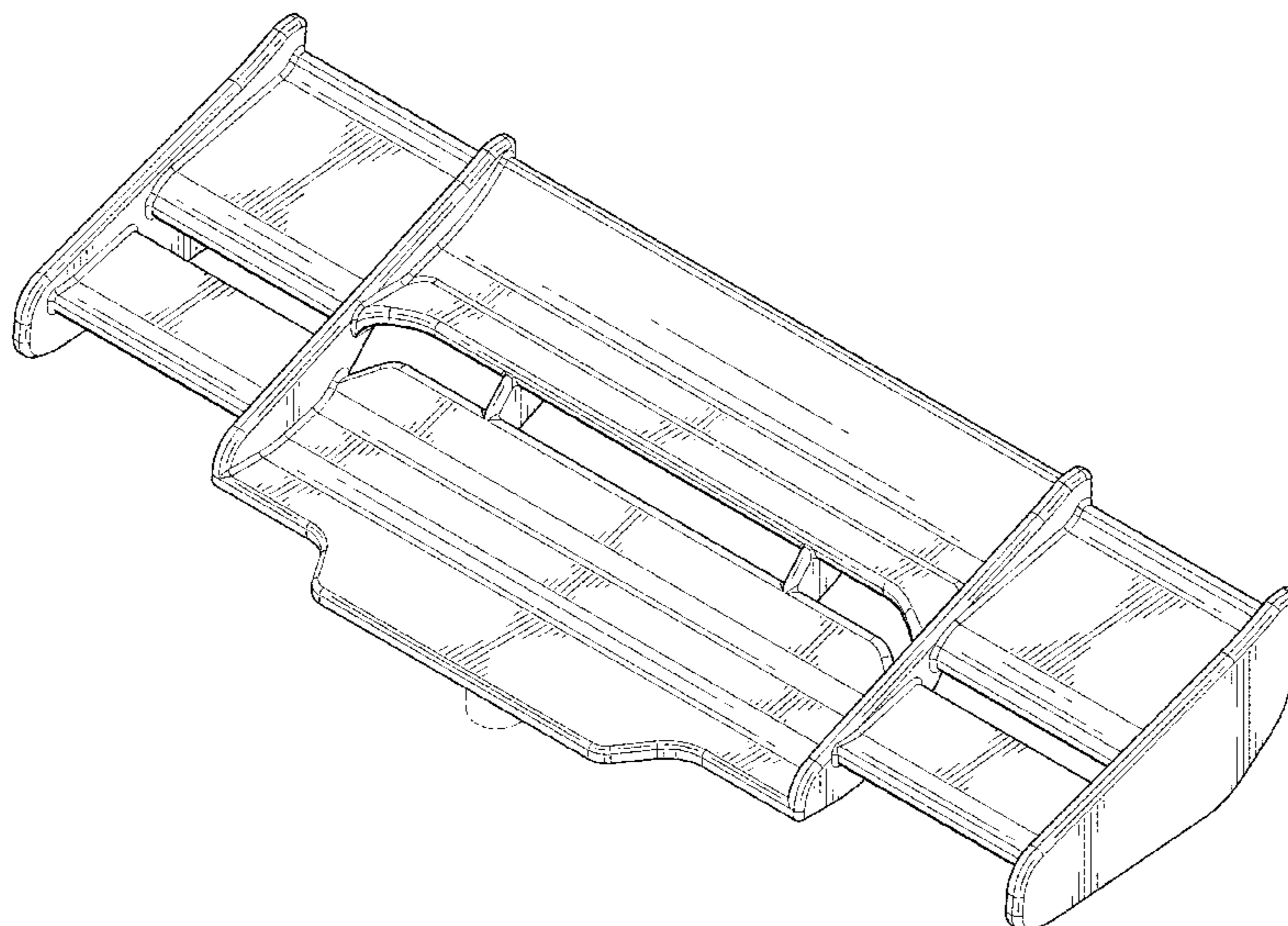
(57) **CLAIM**

I claim the ornamental design for a body wing for a model vehicle, as shown and described.

DESCRIPTION

FIG. 1 is an upper, left, front perspective view of a body wing for a model vehicle, showing my new design; FIG. 2 is front elevation view thereof; FIG. 3 is a rear elevation view thereof; FIG. 4 is a left side view thereof; FIG. 5 is a right side view thereof; FIG. 6 is a top plan view thereof; FIG. 7 is a bottom plan view thereof; and, FIG. 8 is a bottom, right, rear perspective view thereof. The broken lines illustrate portions of the body wing for a model vehicle that form no part of the claimed design.

1 Claim, 6 Drawing Sheets



(56)

References Cited

U.S. PATENT DOCUMENTS

D792,526 S	7/2017	Belker et al.	
D802,685 S	11/2017	Barajas et al.	
9,944,335 B2 *	4/2018	Shinedling	B62D 35/007
D820,166 S	6/2018	Borkert	
D821,918 S *	7/2018	Seidl	D12/88
D823,727 S	7/2018	Hauser	
D824,288 S	7/2018	Hauser	
D826,784 S	8/2018	Hauser	
D862,610 S	10/2019	Barajas et al.	
D862,611 S	10/2019	Barajas et al.	
2009/0195016 A1 *	8/2009	Schwan	B62D 35/007 296/180.3
2013/0221701 A1 *	8/2013	De Luca	B62D 35/007 296/180.5

* cited by examiner

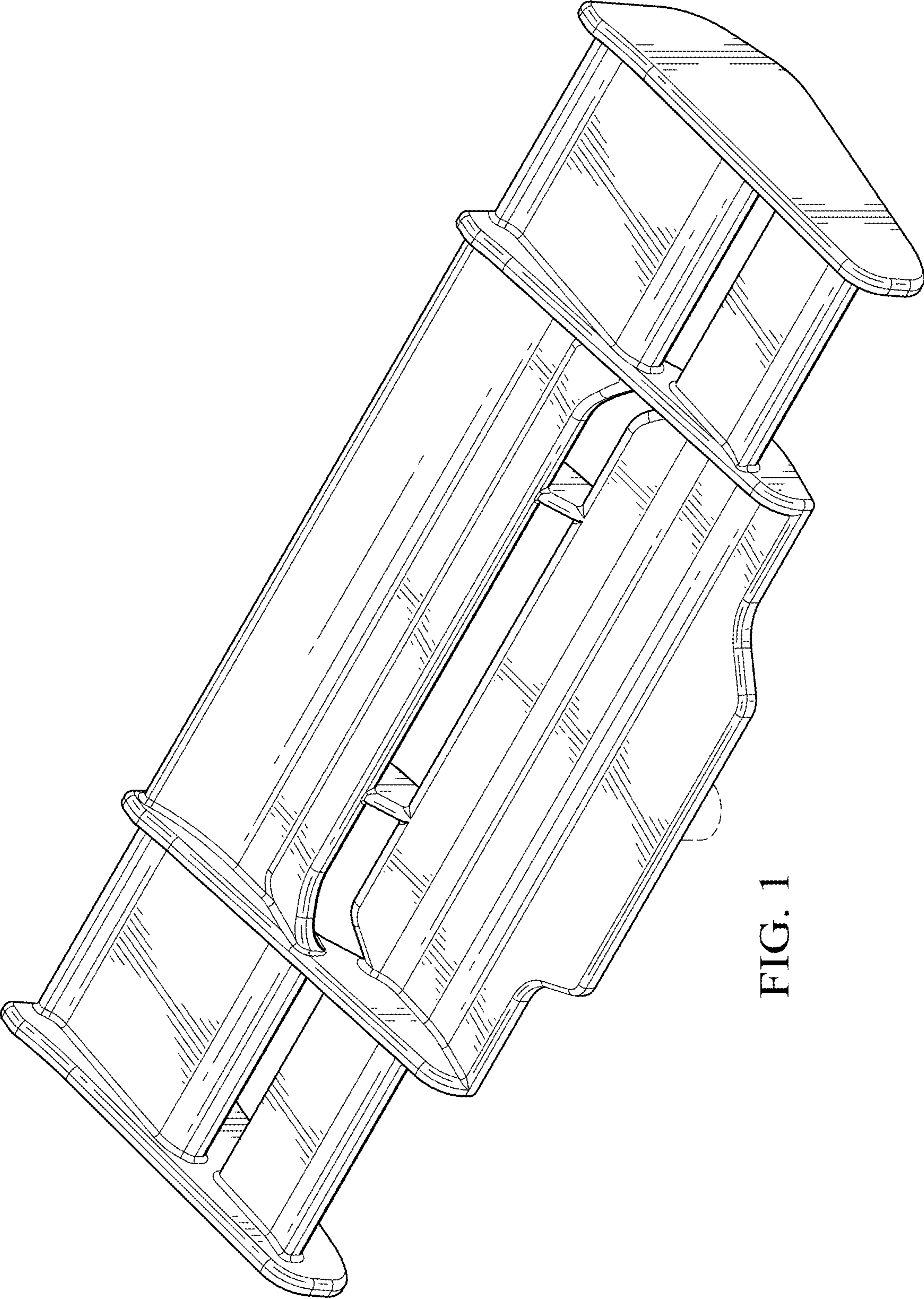


FIG. 1

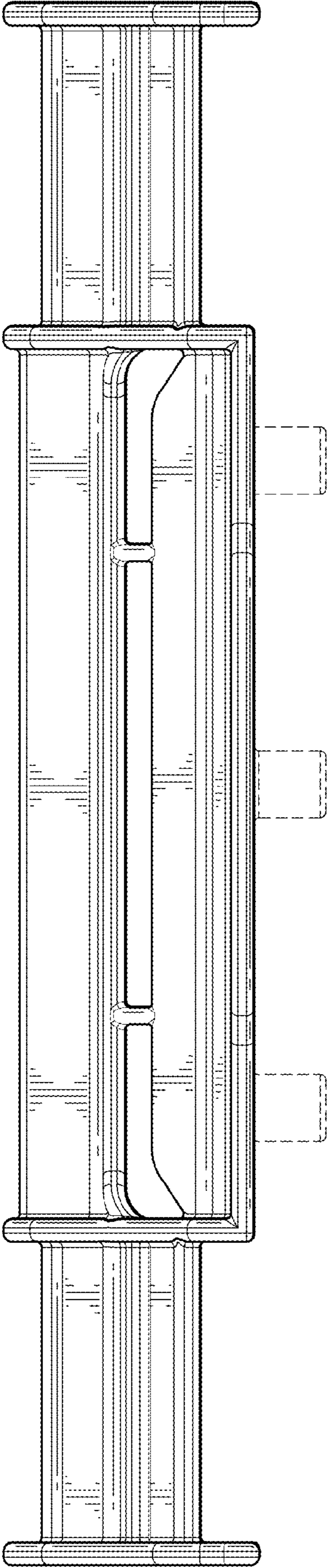


FIG. 2

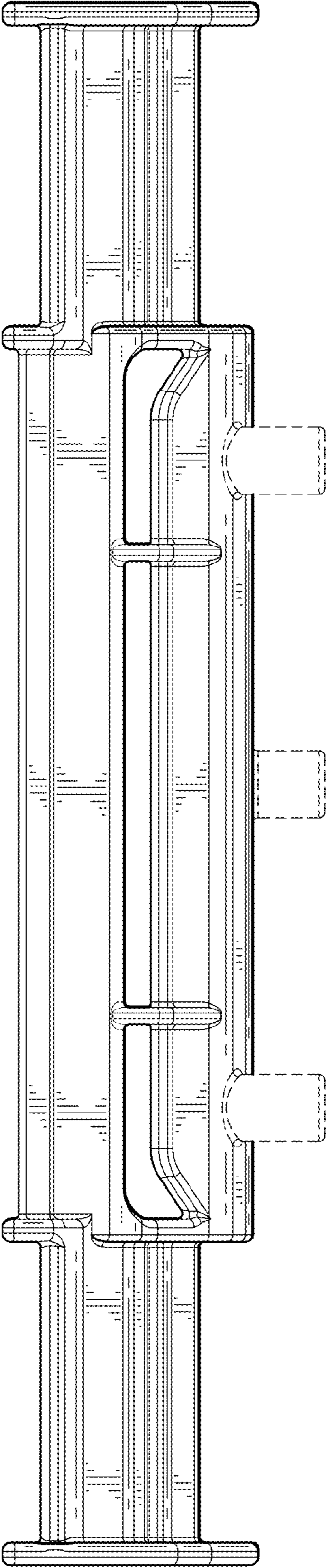


FIG. 3

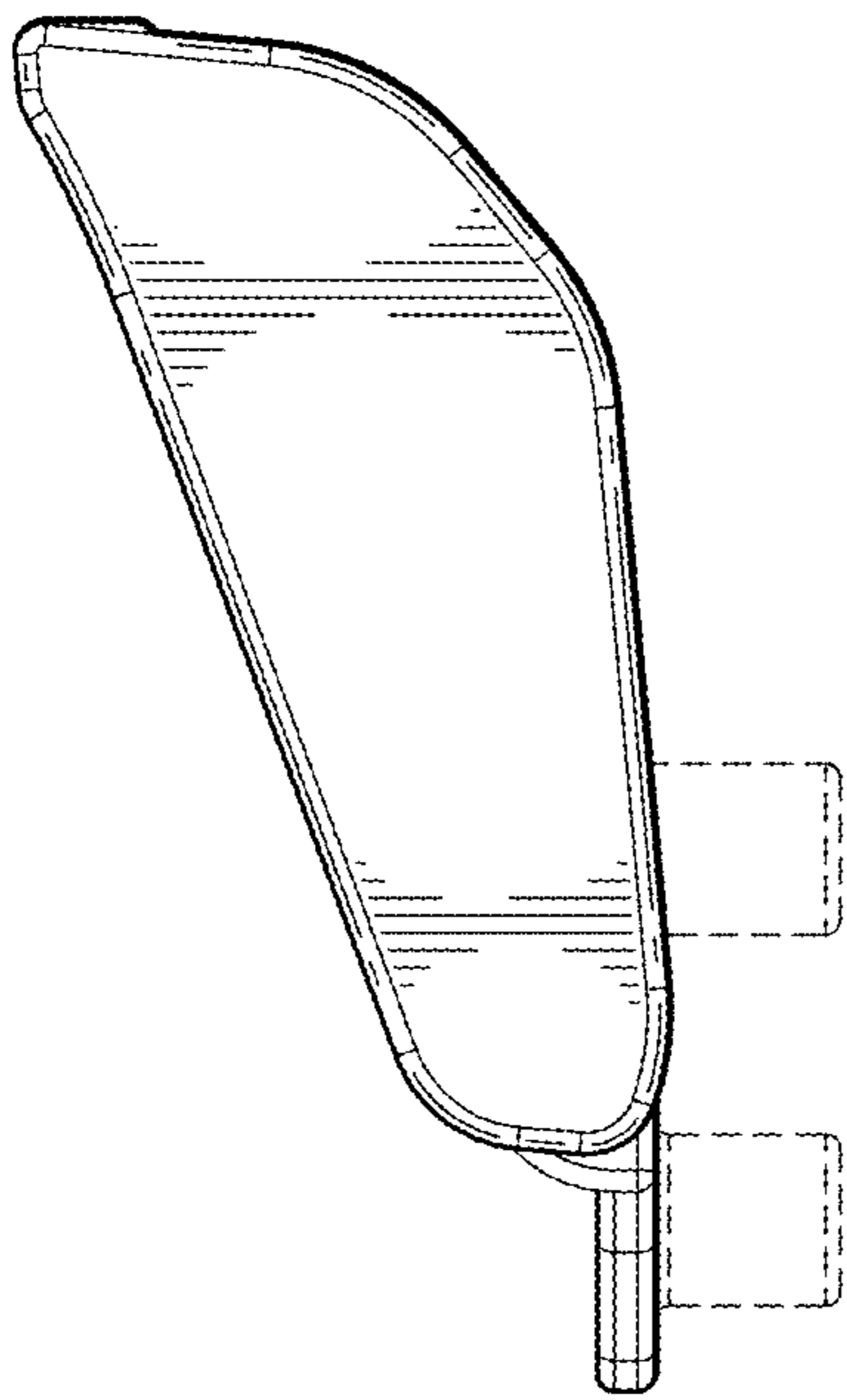


FIG. 4

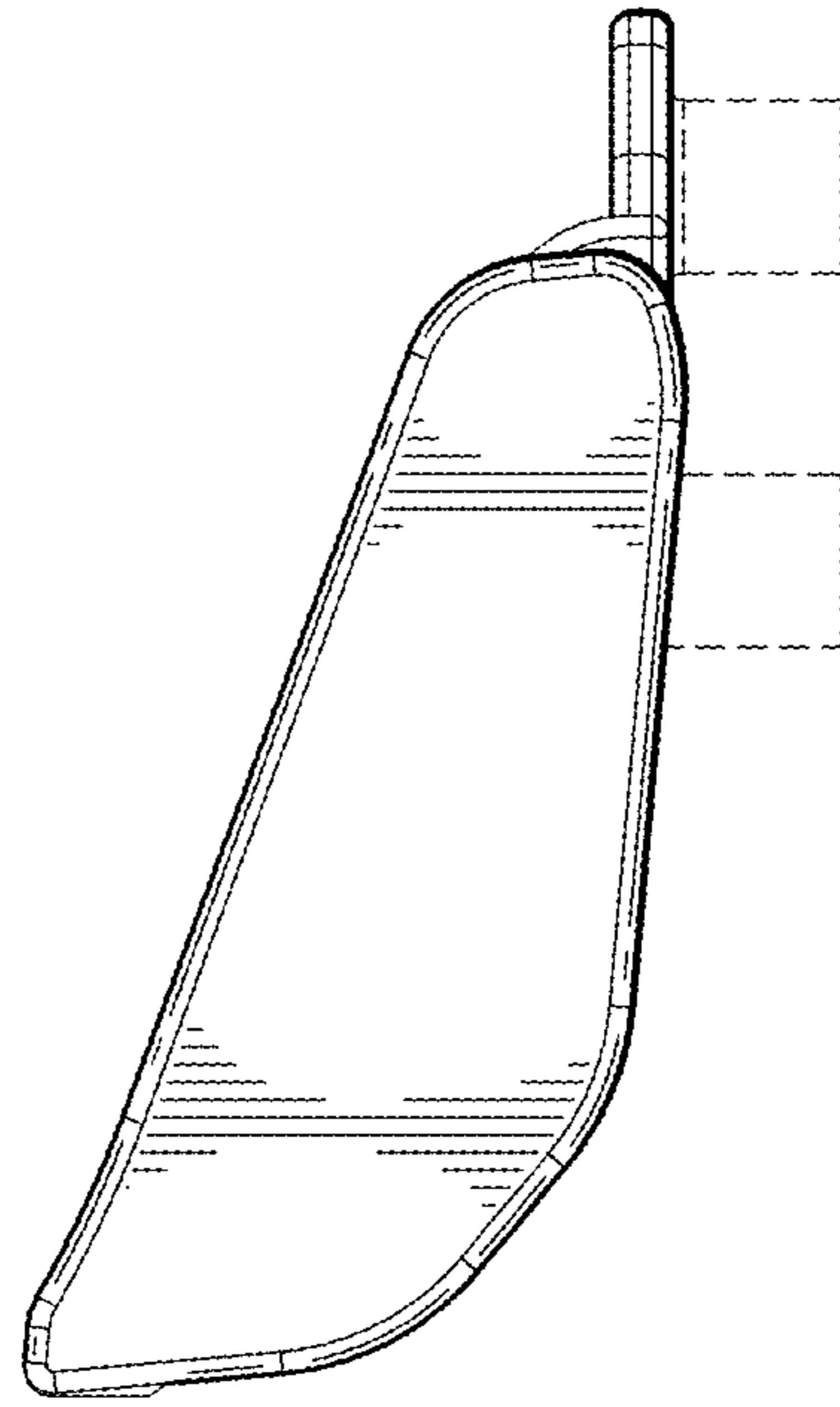


FIG. 5

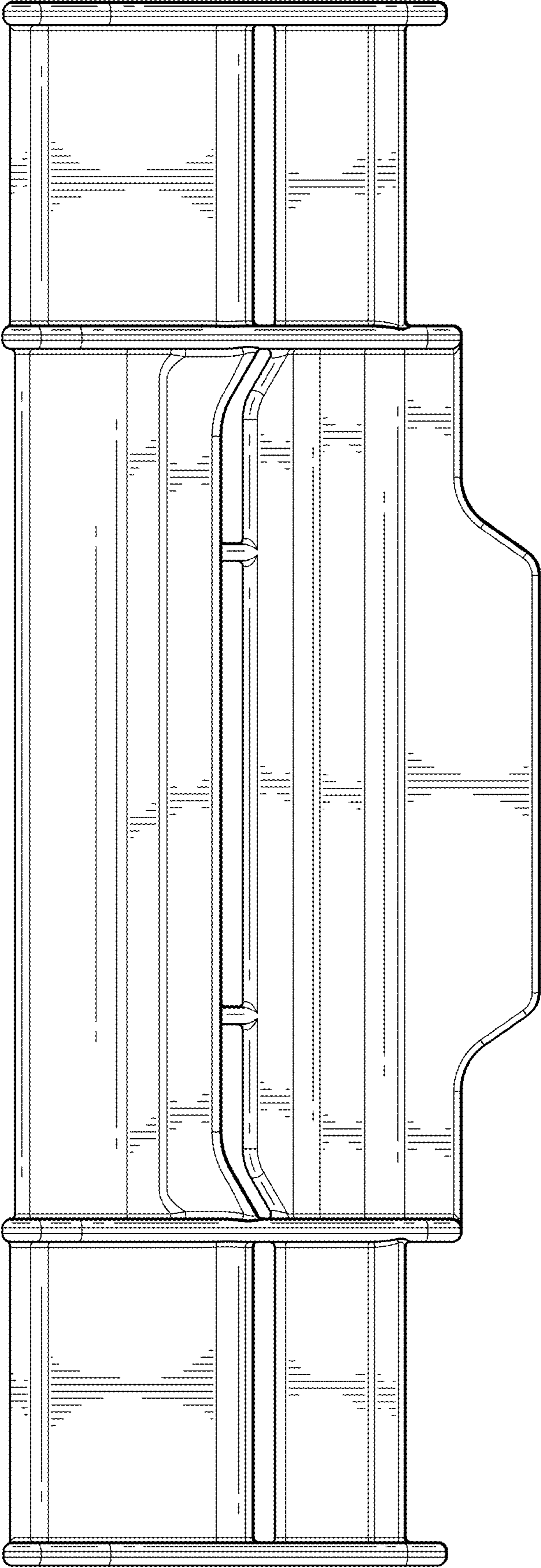


FIG. 6

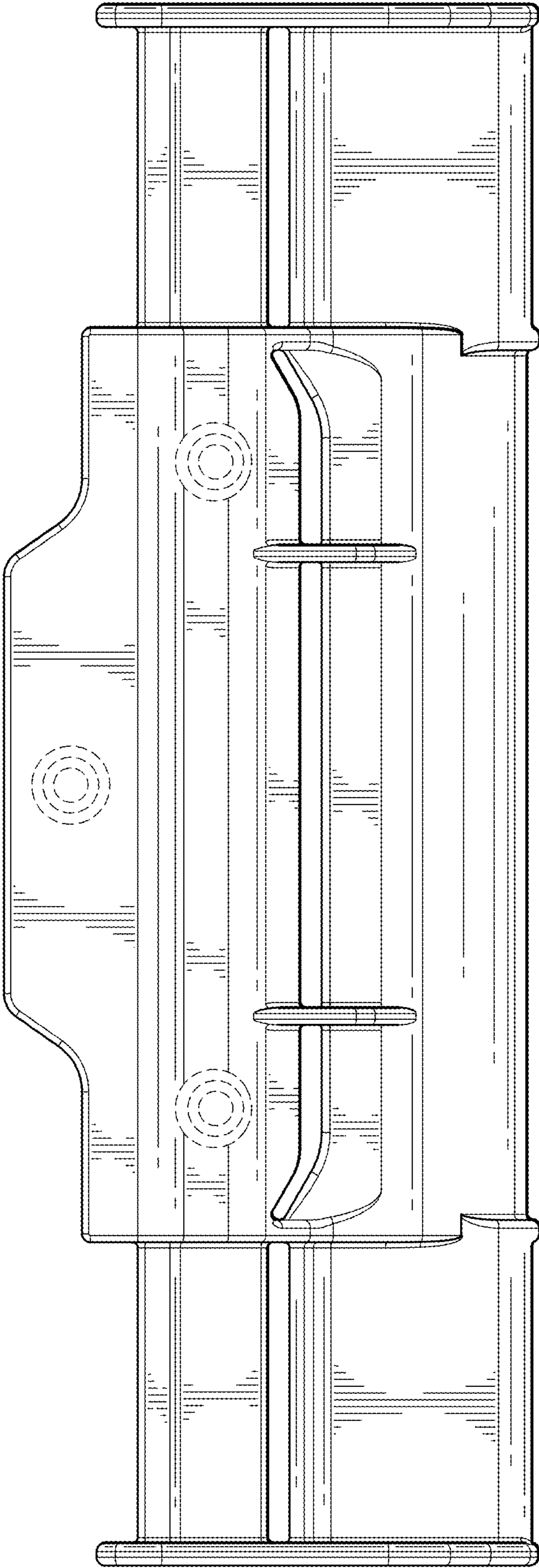


FIG. 7

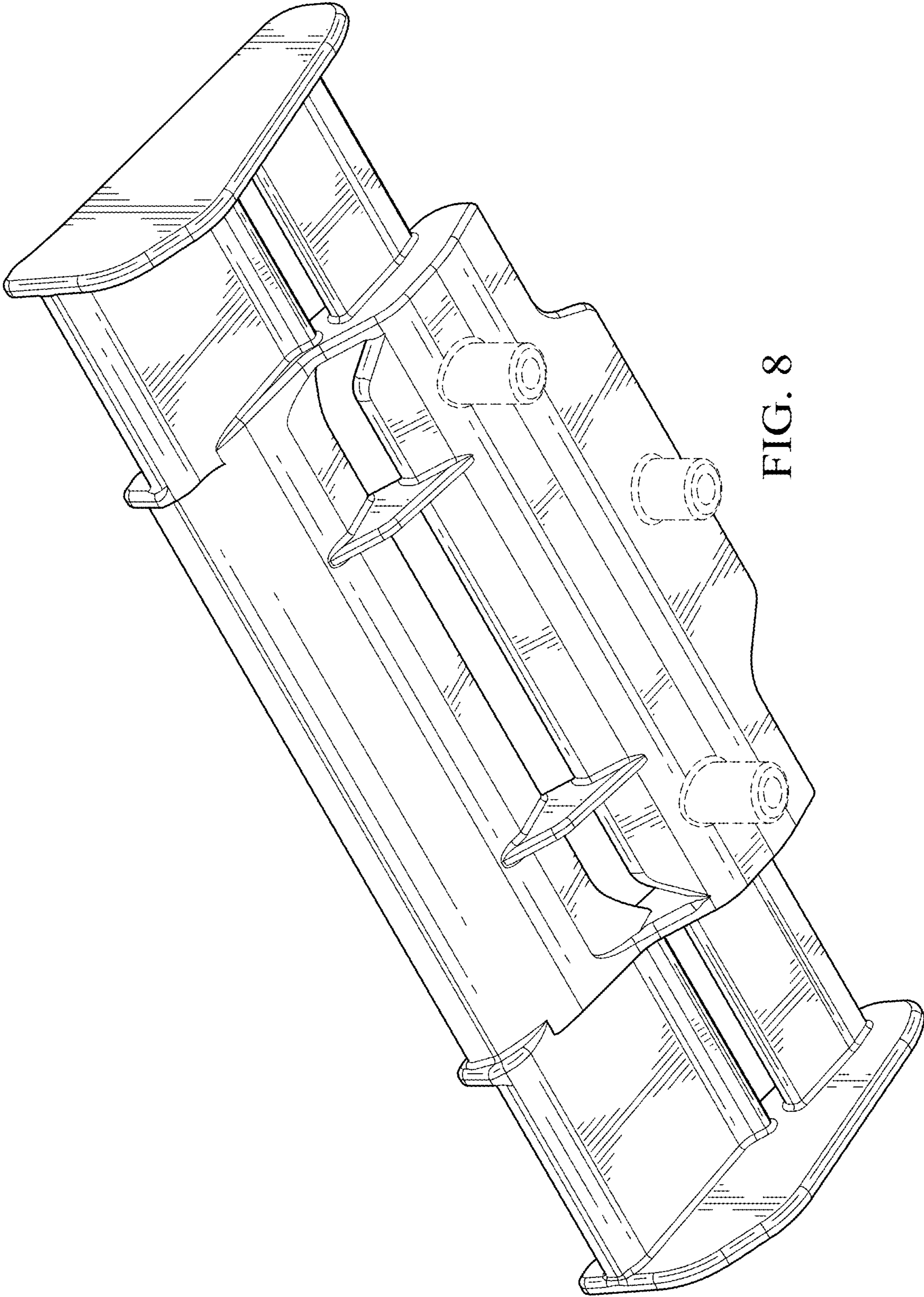


FIG. 8