



US00D879205S

(12) **United States Design Patent**
Ostergaard

(10) **Patent No.:** **US D879,205 S**
(45) **Date of Patent:** **** Mar. 24, 2020**

(54) **WAGON**

(71) Applicant: **RADIO FLYER INC.**, Chicago, IL
(US)

(72) Inventor: **Collin Ostergaard**, Chicago, IL (US)

(73) Assignee: **Radio Flyer Inc.**, Chicago, IL (US)

(**) Term: **15 Years**

(21) Appl. No.: **29/664,546**

(22) Filed: **Sep. 26, 2018**

(51) **LOC (12) Cl.** **21-01**

(52) **U.S. Cl.**
USPC **D21/425**

(58) **Field of Classification Search**
USPC D21/425, 534, 536; D12/105, 106;
D34/12, 27
CPC .. B62B 3/00; B62B 3/02; B62B 3/002; B62B
3/003; B62B 3/007
See application file for complete search history.

(56) **References Cited**

U.S. PATENT DOCUMENTS

1,371,198 A	3/1921	Daum
1,465,211 A	8/1923	Dunkelberger
1,489,443 A	4/1924	Kelly
1,771,813 A	7/1930	Norman
1,820,466 A	8/1931	Lieblein
2,020,766 A	11/1935	Brown
2,471,553 A	5/1949	Zuckerman
2,563,995 A	8/1951	East
2,575,189 A	11/1951	Schmidt
2,942,679 A	6/1960	Gibson
2,984,514 A	5/1961	Lemley
2,989,318 A	6/1961	Schenkman
3,116,935 A	1/1964	Mitchin et al.
3,162,460 A	12/1964	Davidson
3,893,532 A	7/1975	Perlowin
4,227,709 A	10/1980	Gradwohl et al.

4,449,322 A	5/1984	Blumenthal
4,706,986 A	11/1987	Kassai
4,735,426 A	4/1988	McConnell
4,741,552 A	5/1988	Kassai
4,746,140 A	5/1988	Kassai
(Continued)		

FOREIGN PATENT DOCUMENTS

JP	20011706	1/2001
JP	2009137521	6/2009
JP	2010184696	8/2010
TW	M288510	3/2006
WO	2017011724	1/2017

OTHER PUBLICATIONS

First Office Action from related Chinese Patent Application No. 201480042017.1 dated Oct. 24, 2016, with translation.
(Continued)

Primary Examiner — Cynthia M. Chin
(74) *Attorney, Agent, or Firm* — Barnes & Thornburg LLP

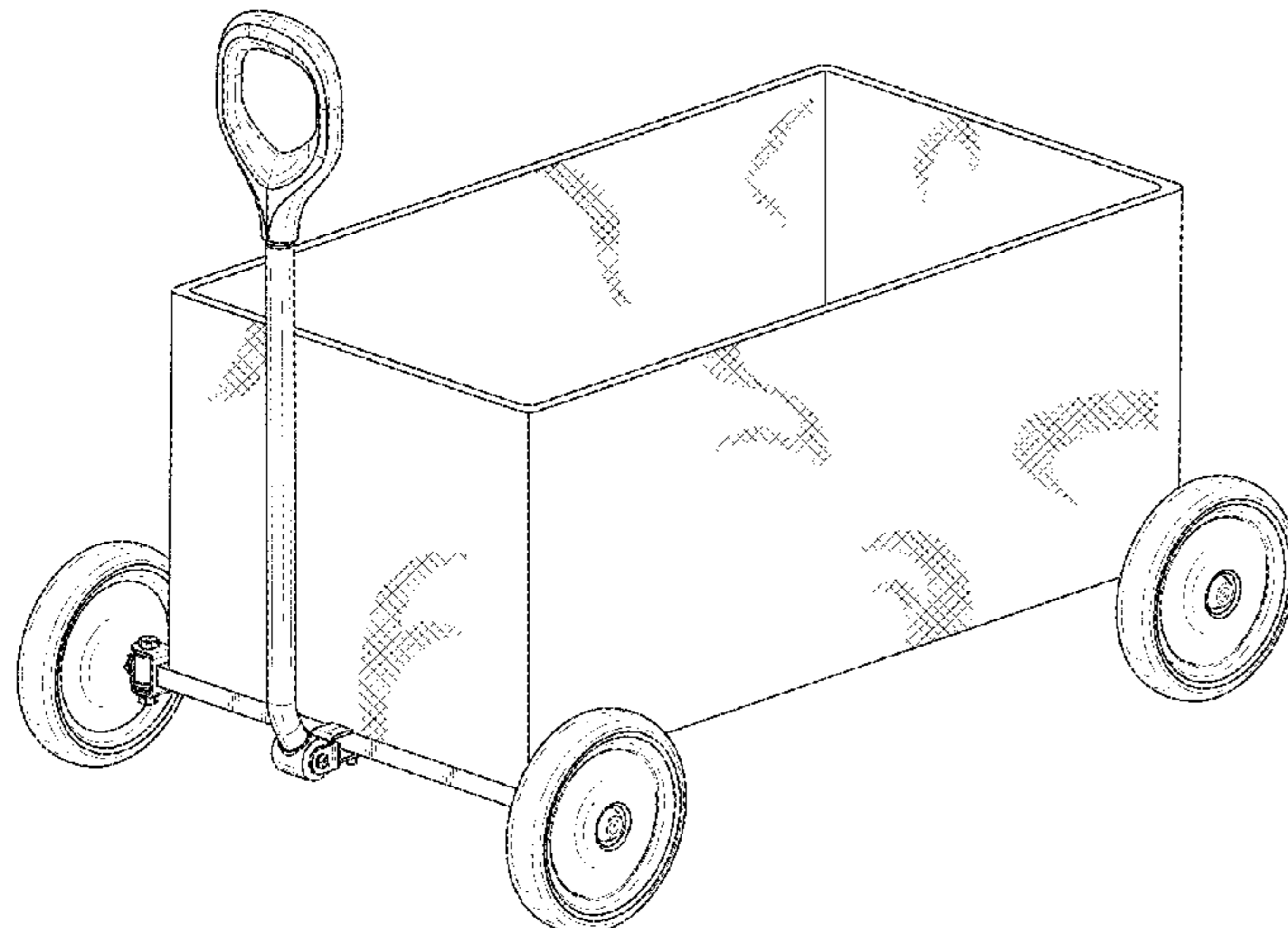
(57) **CLAIM**

I claim the ornamental design for a wagon, as shown and described.

DESCRIPTION

FIG. 1 is a front perspective view of the wagon according to the new design.
FIG. 2 is a front elevation view of the wagon shown in FIG. 1.
FIG. 3 is a rear elevation view of the wagon shown in FIG. 1.
FIG. 4 is a top plan view of the wagon shown in FIG. 1.
FIG. 5 is a bottom plan view of the wagon shown in FIG. 1.
FIG. 6 is a left side elevation view of the wagon shown in FIG. 1; and,
FIG. 7 is a right side elevation view of the wagon shown in FIG. 1.
The broken lines in the drawings illustrate portions of the wagon that form no part of the claimed design.

1 Claim, 7 Drawing Sheets



(56)

References Cited

U.S. PATENT DOCUMENTS

4,763,907 A	8/1988	Raymond	7,775,530 B2	8/2010	Darling, III
4,796,909 A	1/1989	Kirkendall	7,823,906 B2	11/2010	Darling, III
4,811,968 A	3/1989	Bolden	7,836,530 B2	11/2010	Thorne et al.
4,824,137 A	4/1989	Bolden	8,011,686 B2	9/2011	Chen et al.
4,844,493 A	7/1989	Kramer	8,060,959 B2	11/2011	Thorne et al.
4,856,810 A	8/1989	Smith	8,091,916 B2	1/2012	Shapiro
4,878,682 A	11/1989	Lee	8,120,190 B2	2/2012	Bravo
4,887,836 A	12/1989	Simjian	8,191,907 B2	6/2012	Watson
5,050,900 A	9/1991	Lee	8,220,824 B2	7/2012	Chen et al.
5,333,893 A	8/1994	Chen	8,286,739 B2	10/2012	Oliphant
5,360,222 A	11/1994	Bro et al.	8,297,642 B2	10/2012	Tyson, III
5,423,592 A	6/1995	Spurrier et al.	8,388,015 B2	3/2013	Chen
5,538,267 A	7/1996	Pasin et al.	8,453,771 B1	6/2013	Hirschfeld
5,657,828 A	8/1997	Nagamachi	8,458,829 B2	6/2013	Thorne et al.
5,669,617 A	9/1997	Pasin et al.	8,490,732 B2	7/2013	Sugimoto et al.
5,746,282 A	5/1998	Fujiwara et al.	8,556,740 B1	10/2013	Schneider
5,806,864 A	9/1998	Zielinski et al.	8,672,081 B2	3/2014	Kume et al.
5,833,251 A	11/1998	Peck	8,746,377 B1	6/2014	Dunbar
5,857,695 A	1/1999	Crowell	8,746,710 B2	6/2014	Schejbal
5,876,049 A	3/1999	Spear et al.	8,851,503 B2	10/2014	Tyson, III
5,911,432 A	6/1999	Song	8,944,459 B1	2/2015	Hagy
5,915,723 A	6/1999	Austin	8,955,855 B2	2/2015	Herlitz et al.
5,947,493 A	9/1999	Pasin et al.	D723,762 S	3/2015	Treadwell
5,957,482 A	9/1999	Shorter	8,973,940 B2	3/2015	Chen et al.
6,010,145 A	1/2000	Liu	9,033,361 B2	5/2015	Frankel et al.
6,079,720 A	6/2000	Spear et al.	9,045,152 B2	6/2015	Sekine et al.
6,079,777 A	6/2000	Simmons et al.	9,056,621 B1	6/2015	Jin et al.
6,142,491 A	11/2000	Darling	9,073,564 B2	7/2015	Yang et al.
6,164,671 A	12/2000	Darling	9,108,656 B1	8/2015	Nolan et al.
6,220,611 B1	4/2001	Shapiro	D738,436 S	9/2015	Cummings
6,270,092 B2	8/2001	Darling, III	9,145,154 B1	9/2015	Horowitz
6,276,471 B1	8/2001	Kratzenberg et al.	9,211,897 B2	12/2015	Yang et al.
6,318,740 B1	11/2001	Nappo	9,242,663 B1	1/2016	Nolan et al.
D458,648 S	6/2002	Chiappetta et al.	D748,739 S	2/2016	Horowitz
6,488,293 B1	12/2002	Mitchell et al.	9,327,749 B2	5/2016	Young et al.
6,491,318 B1	12/2002	Galt et al.	9,365,225 B2	6/2016	Henao
6,499,750 B1	12/2002	Michelau	D763,532 S	8/2016	Huang
6,536,796 B1	3/2003	Solomon	9,580,095 B2	2/2017	Vargas, II et al.
6,561,529 B2	5/2003	Darling, III	D794,133 S *	8/2017	Ostergaard D21/425
6,581,945 B1	6/2003	Shapiro	9,956,981 B1 *	5/2018	Fitzwater B62B 9/142
6,629,574 B2	10/2003	Turner	10,300,933 B2 *	5/2019	DeBry B62B 3/005
D483,419 S	12/2003	Chiappetta et al.	2003/0025301 A1	2/2003	Banuelos
6,663,139 B1	12/2003	Smith	2004/0164512 A1	8/2004	Gunter et al.
6,733,026 B1	5/2004	Robberson et al.	2005/0275195 A1	12/2005	Matula et al.
6,845,991 B1	1/2005	Ritucci et al.	2006/0119056 A1	6/2006	Olsen
6,893,030 B2	5/2005	Shapiro	2007/0284900 A1	12/2007	Sze
6,916,028 B2	7/2005	Shapiro	2008/0041644 A1	2/2008	Tudek et al.
6,932,365 B2	8/2005	Chiappetta et al.	2008/0073880 A1	3/2008	Bess
7,017,939 B2	3/2006	Darling, III	2008/0217886 A1	9/2008	Poppinga et al.
7,066,485 B2	6/2006	Shapiro	2008/0258435 A1	10/2008	Blair
7,097,182 B1	8/2006	Liu	2009/0066114 A1	3/2009	Molton
7,118,115 B2	10/2006	Abel	2010/0123294 A1	5/2010	Ellington et al.
7,150,339 B2	12/2006	Liao et al.	2010/0140902 A1	6/2010	Zehfuss
7,150,465 B2	12/2006	Darling, III	2010/0156069 A1	6/2010	Chen
7,163,213 B2	1/2007	Chambers	2011/0025005 A1	2/2011	Howell
7,210,545 B1	5/2007	Waid	2011/0204598 A1	8/2011	Stevenson
7,226,059 B1	6/2007	Samuels	2012/0235372 A1	9/2012	Herlitz et al.
D547,812 S	7/2007	Seckel et al.	2012/0274052 A1	11/2012	Zhu
D566,200 S	4/2008	Seckel et al.	2013/0179016 A1	7/2013	Gale
D570,424 S	6/2008	Blair	2013/0239322 A1	9/2013	Thorne et al.
D573,663 S	7/2008	Ogawa	2014/0001735 A1	1/2014	Yang et al.
7,392,994 B2	7/2008	Darling, III	2014/0196968 A1	7/2014	Bieler et al.
7,407,177 B2	8/2008	Darling, III	2014/0353945 A1	12/2014	Young et al.
7,461,857 B2	12/2008	Darling, III	2015/0035258 A1	2/2015	Chen et al.
7,475,900 B2	1/2009	Cheng	2015/0053042 A1	2/2015	Shirakawa et al.
7,487,977 B2	2/2009	Johnson	2015/0084298 A1	3/2015	Herlitz et al.
7,490,684 B2	2/2009	Seymour et al.	2015/0145224 A1	5/2015	Zhu
7,523,955 B2	4/2009	Blair	2015/0151771 A1	6/2015	Jin et al.
7,547,037 B2	6/2009	Poppinga et al.	2016/0347338 A1	12/2016	Vargas, II et al.
7,562,897 B1	7/2009	Sherman et al.	2017/0015340 A1	1/2017	Fitzwater et al.
7,584,985 B2	9/2009	You et al.	2018/0334181 A1 *	11/2018	DeBry B62B 3/005
7,661,156 B2	2/2010	Thorne et al.			
7,703,795 B2	4/2010	Williamson			
7,731,221 B2	6/2010	Bess			

OTHER PUBLICATIONS

International Search Report for International Patent Application No. PCT/US2016/042421, dated Oct. 6, 2016.

* cited by examiner

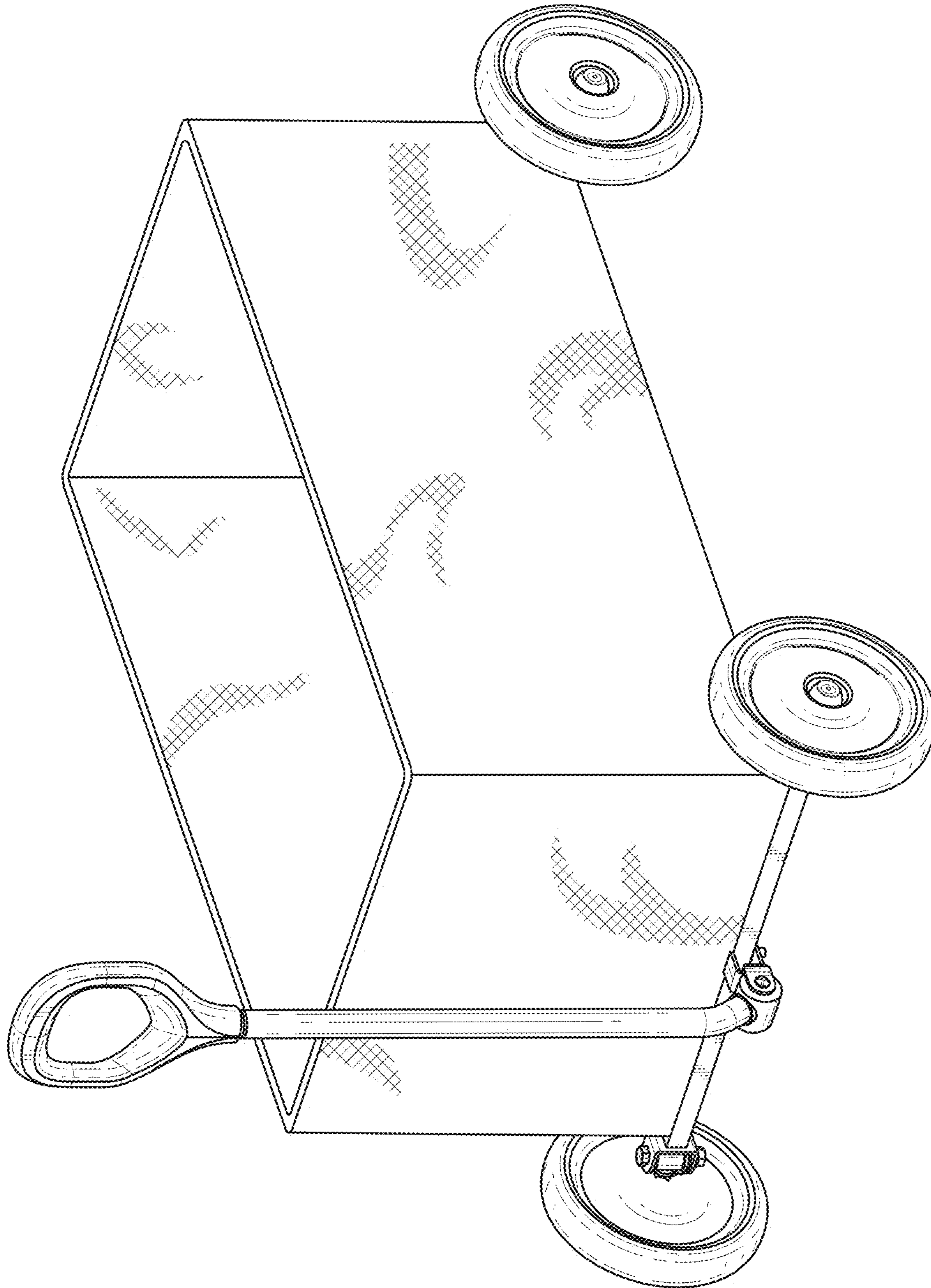


FIG. 1

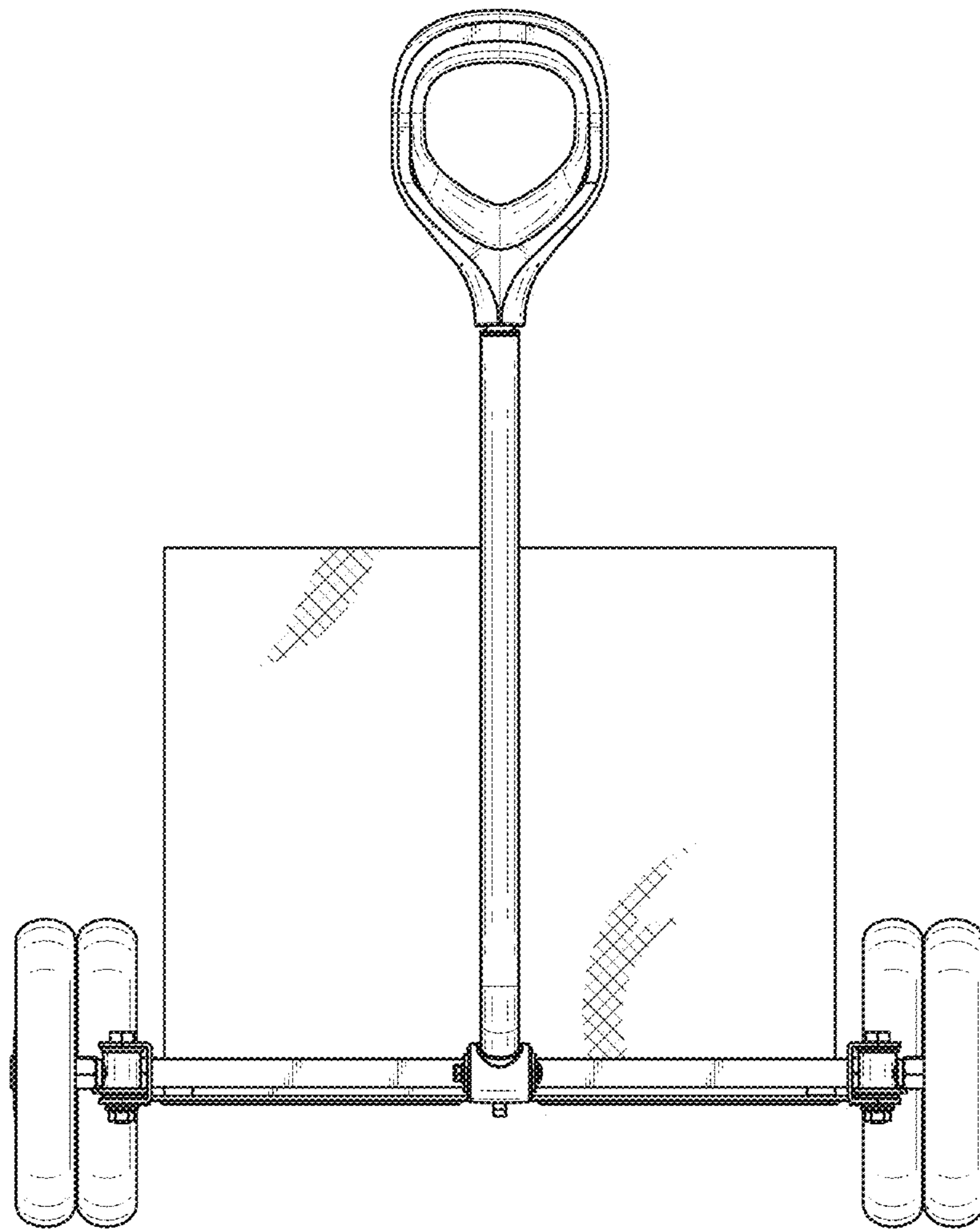


FIG. 2

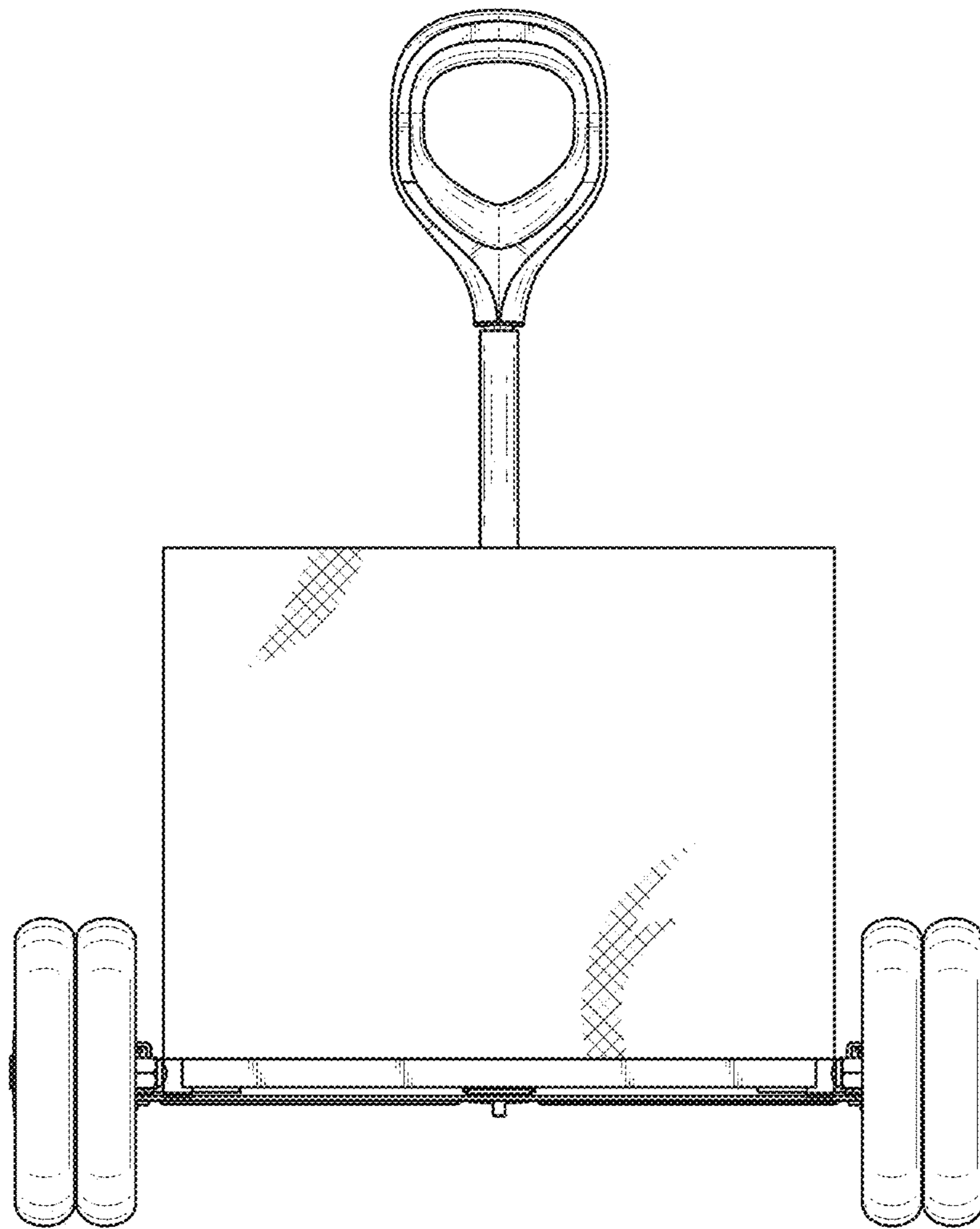


FIG. 3

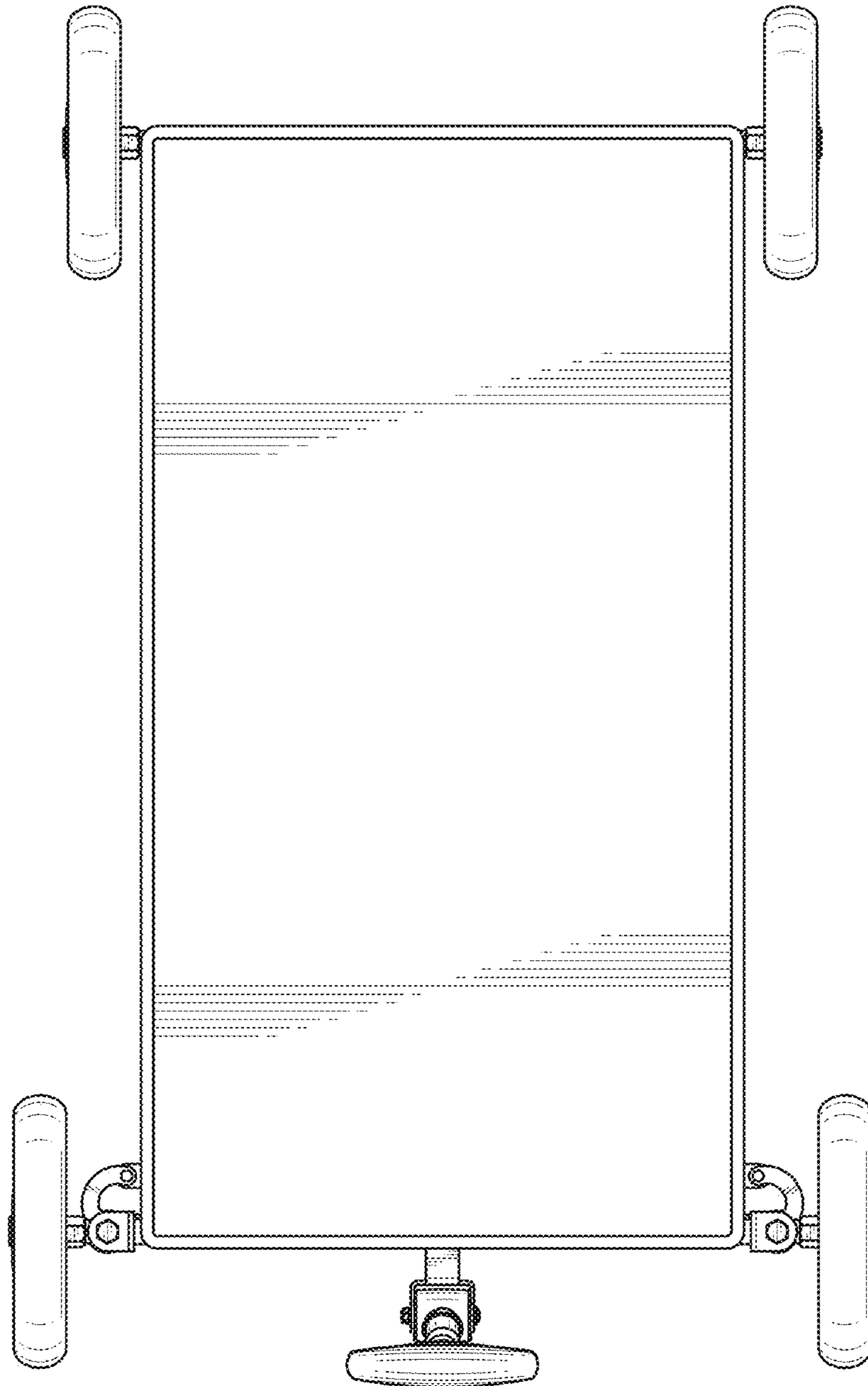


FIG. 4

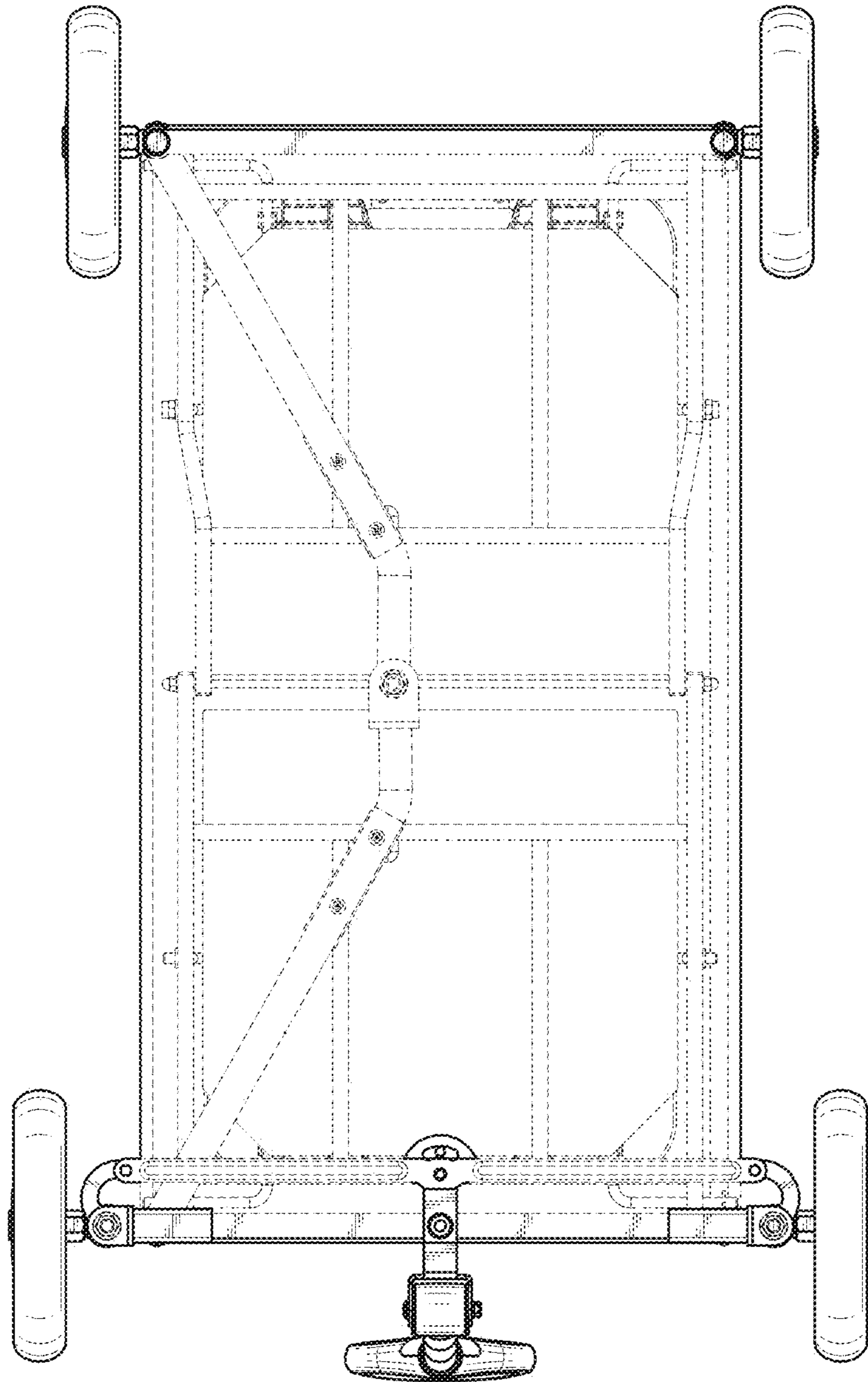


FIG. 5

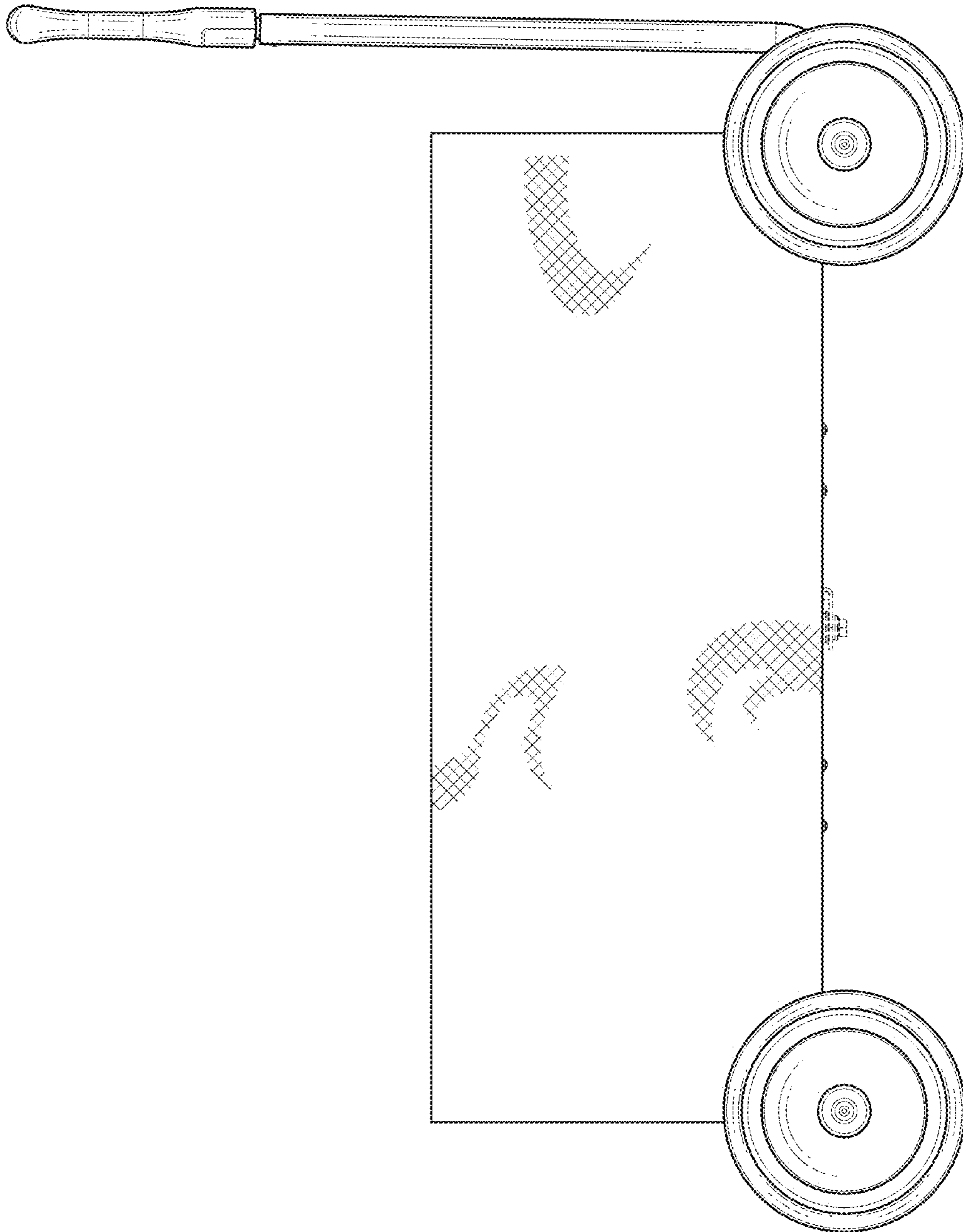


FIG. 6

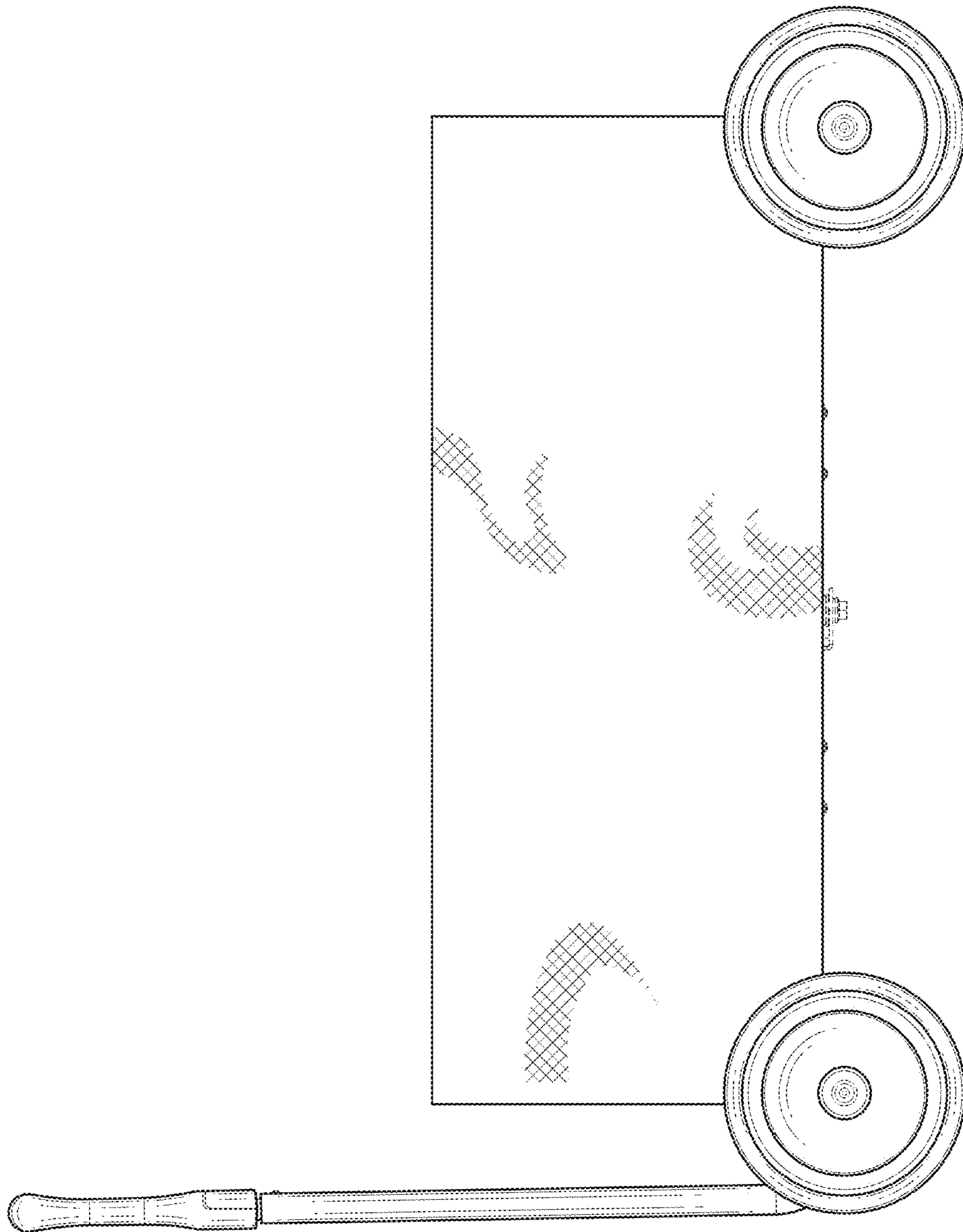


FIG. 7